

US00D505045S

(12) **United States Design Patent**
Assmann

(10) **Patent No.: US D505,045 S**

(45) **Date of Patent: ** May 17, 2005**

(54) **GRILL**

6,267,047 B1 * 7/2001 Mosher et al. 99/339
D452,630 S * 1/2002 Choi D7/362

(75) Inventor: **Jurgen Assmann, Ramsdorf (DE)**

* cited by examiner

(73) Assignee: **WIK FAR East Ltd., Hong Kong (CN)**

Primary Examiner—Ruth McInroy

(**) Term: **14 Years**

(74) *Attorney, Agent, or Firm*—Margaret Polson Patent Law Offices of Rick Martin, P.C.

(21) Appl. No.: **29/206,341**

(57) **CLAIM**

(22) Filed: **May 28, 2004**

The ornamental design for a grill, as shown and described.

(30) **Foreign Application Priority Data**

DESCRIPTION

Nov. 28, 2003 (DE) 403 07 528

(51) **LOC (7) Cl.** **07-02**

(52) **U.S. Cl.** **D7/367**

(58) **Field of Search** D7/362–367, 332,
D7/337, 402–404, 409, 550.1, 554.3, 359–360,
355; 126/38, 25 R, 9 R, 9 B, 40, 44–45,
41 R; 219/443.1, 450.1, 451.1, 446.1, 452.11,
462.1, 432; 431/247, 344, 211; 99/422–423,
425, 445, 448, 450

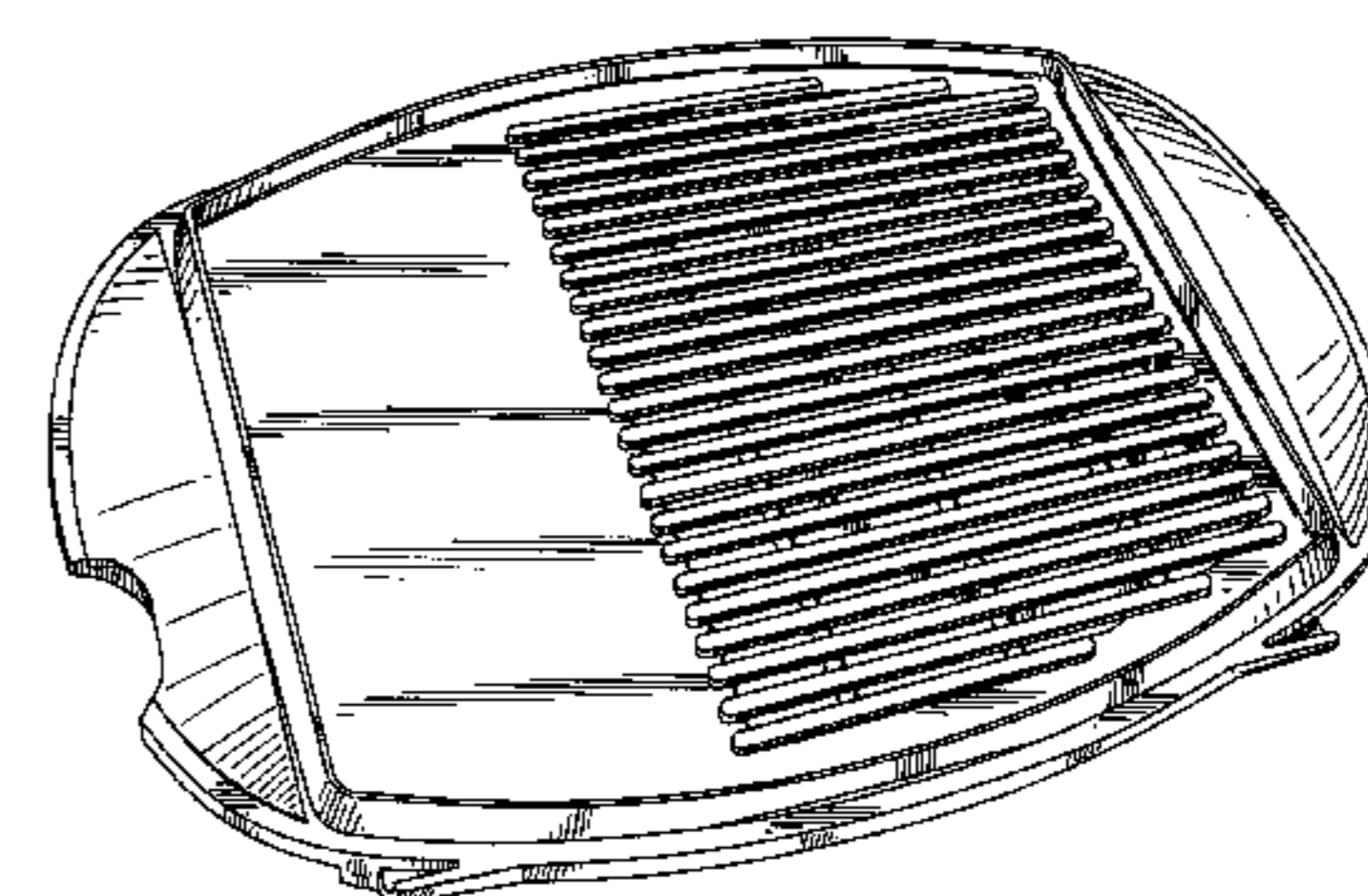
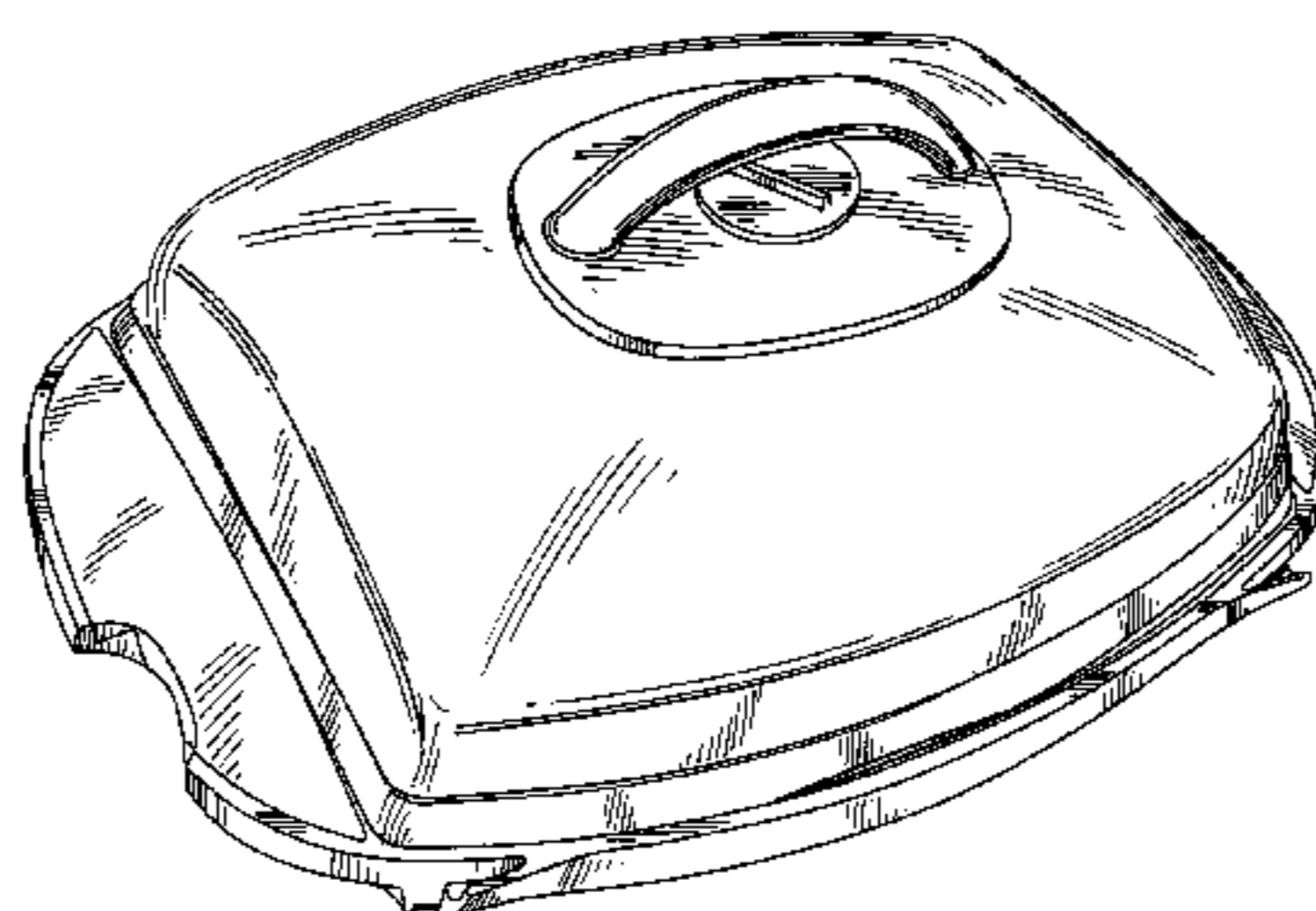
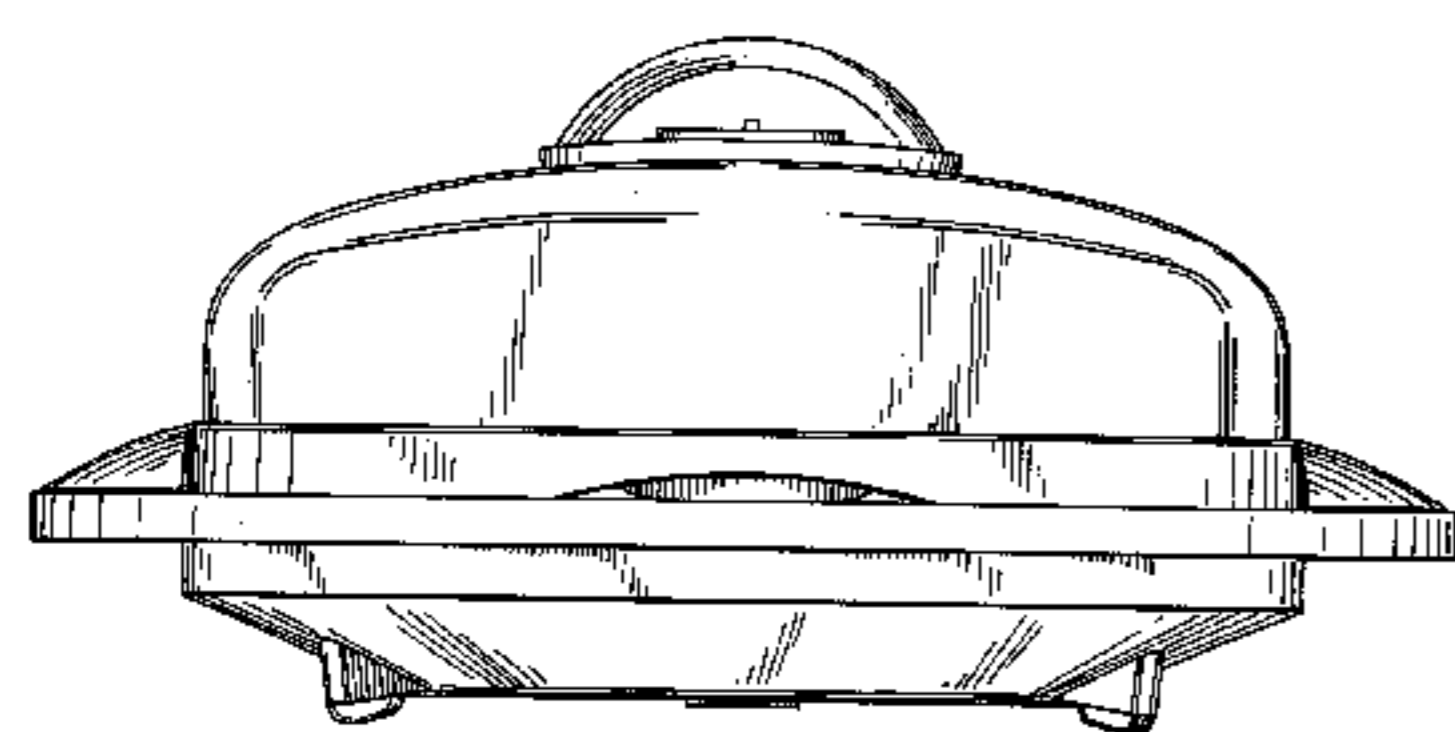
FIG. 1 is a top plan view of a grill showing my new design;
FIG. 2 is a bottom plan view thereof;
FIG. 3 is a left side elevation view thereof;
FIG. 4 is a right side elevation view thereof;
FIG. 5 is a rear elevation view thereof;
FIG. 6 is a front elevation view thereof;
FIG. 7 is a top rear perspective view thereof;
FIG. 8 is a top plan view thereof, the only difference being
the removal of the lid;
FIG. 9 is a left side elevation view of FIG. 8;
FIG. 10 is a right side elevation view of FIG. 8;
FIG. 11 is a front elevation view of FIG. 8;
FIG. 12 is a rear elevation view of FIG. 8;
FIG. 13 is a top rear perspective view of FIG. 8;
FIG. 14 is a top plan view of a second embodiment thereof,
the only difference being the lid;
FIG. 15 is a left side elevation view of FIG. 14;
FIG. 16 is a right side elevation view of FIG. 14;
FIG. 17 is a rear elevation view of FIG. 14;
FIG. 18 is a front elevation view of FIG. 14; and,
FIG. 19 is a top rear perspective view of FIG. 14.
The lid is removed in FIGS. 8–13 for clarity of illustration.

(56) **References Cited**

U.S. PATENT DOCUMENTS

D321,625 S * 11/1991 Dobson et al. D7/360
D409,041 S * 5/1999 Barker D7/362
6,064,042 A * 5/2000 Glucksman et al. ... 219/452.13
D431,152 S * 9/2000 Lee D7/362
D431,411 S * 10/2000 Chang D7/362
D435,757 S * 1/2001 Jo D7/354
D437,183 S * 2/2001 Wong et al. D7/362
D441,250 S * 5/2001 Choi D7/362
6,252,204 B1 * 6/2001 Po-Hei 219/450.1
D444,667 S * 7/2001 Wong et al. D7/362
6,262,399 B1 * 7/2001 Lau et al. 219/450.1

1 Claim, 8 Drawing Sheets



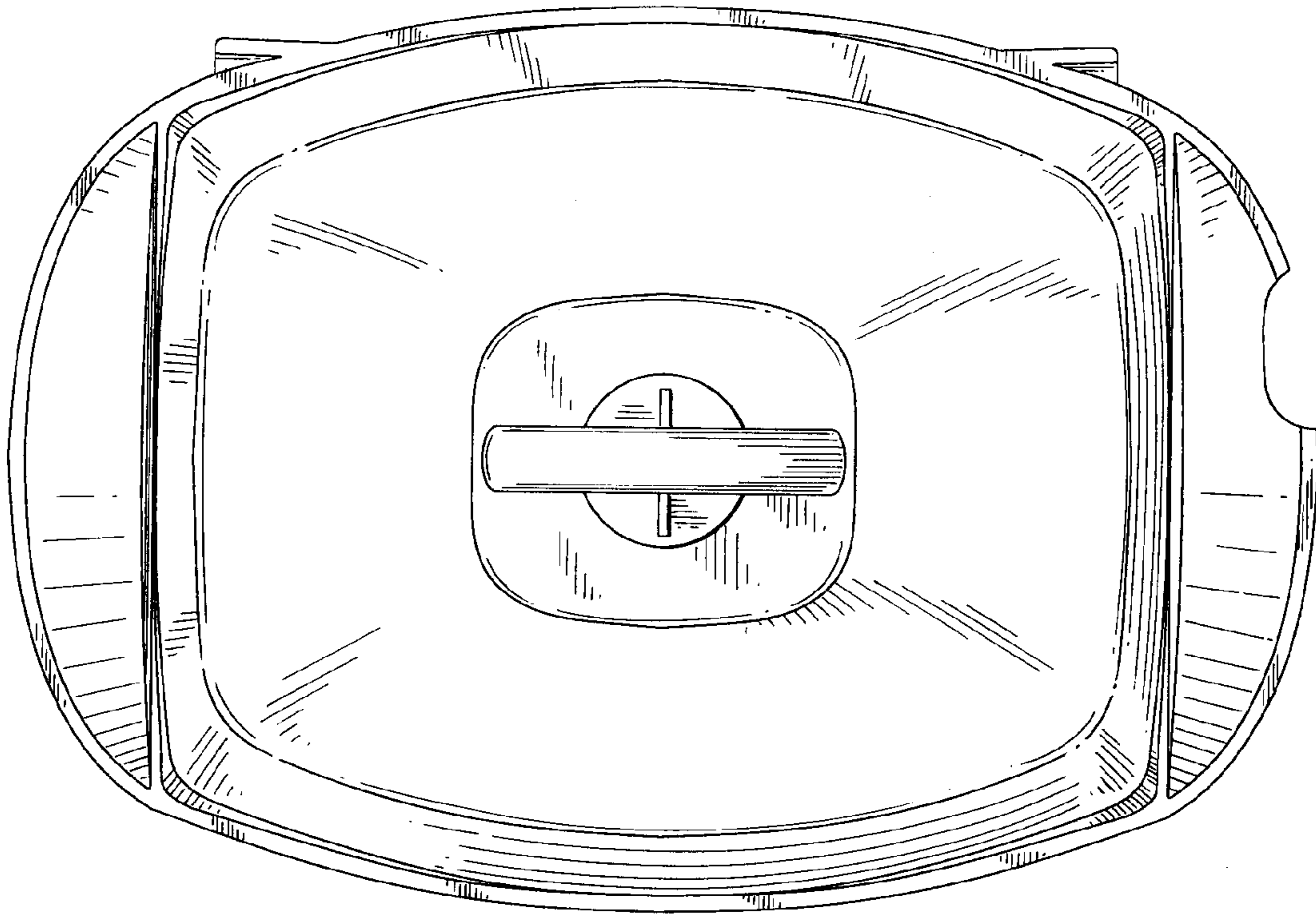


FIG.1

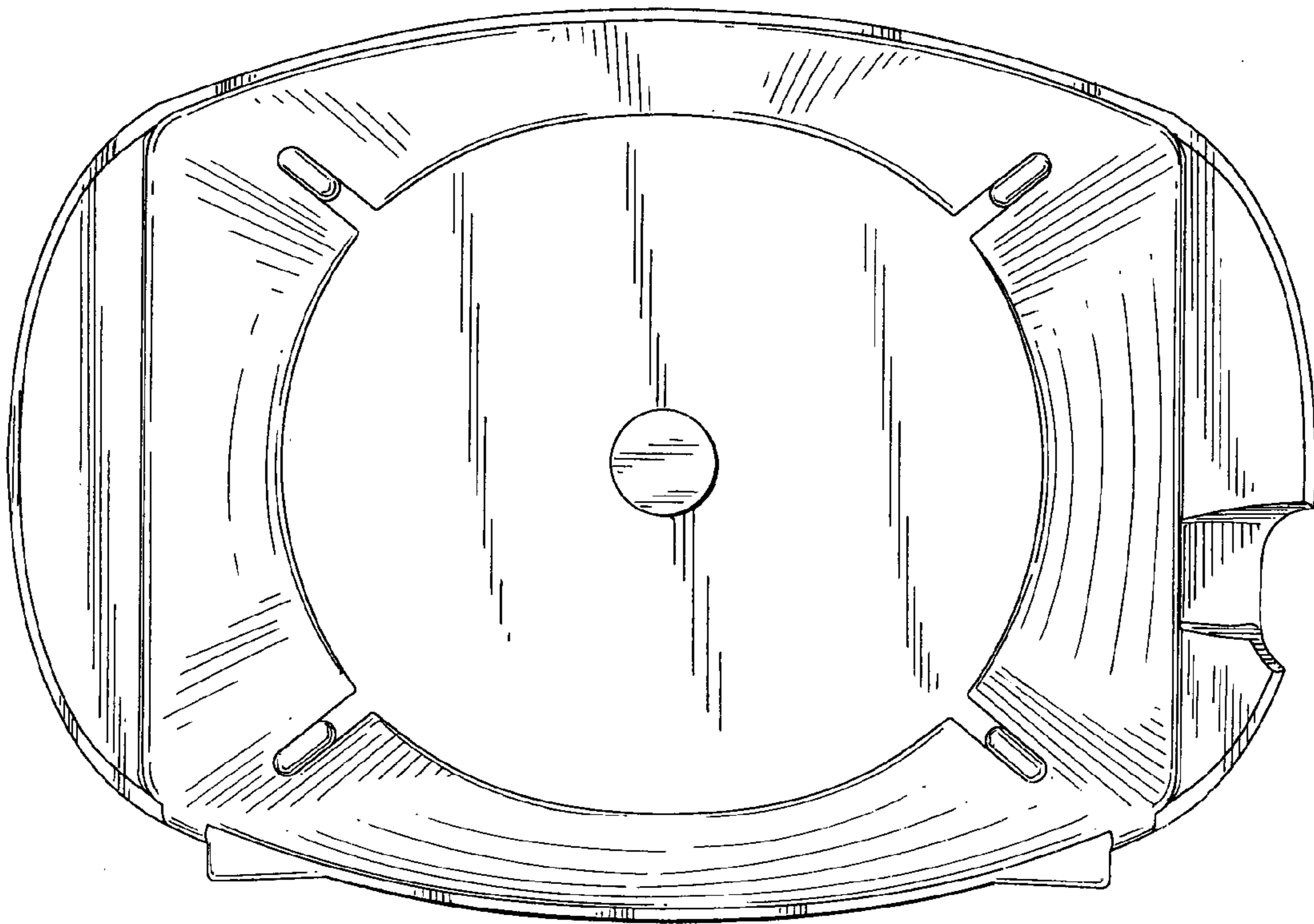


FIG.2

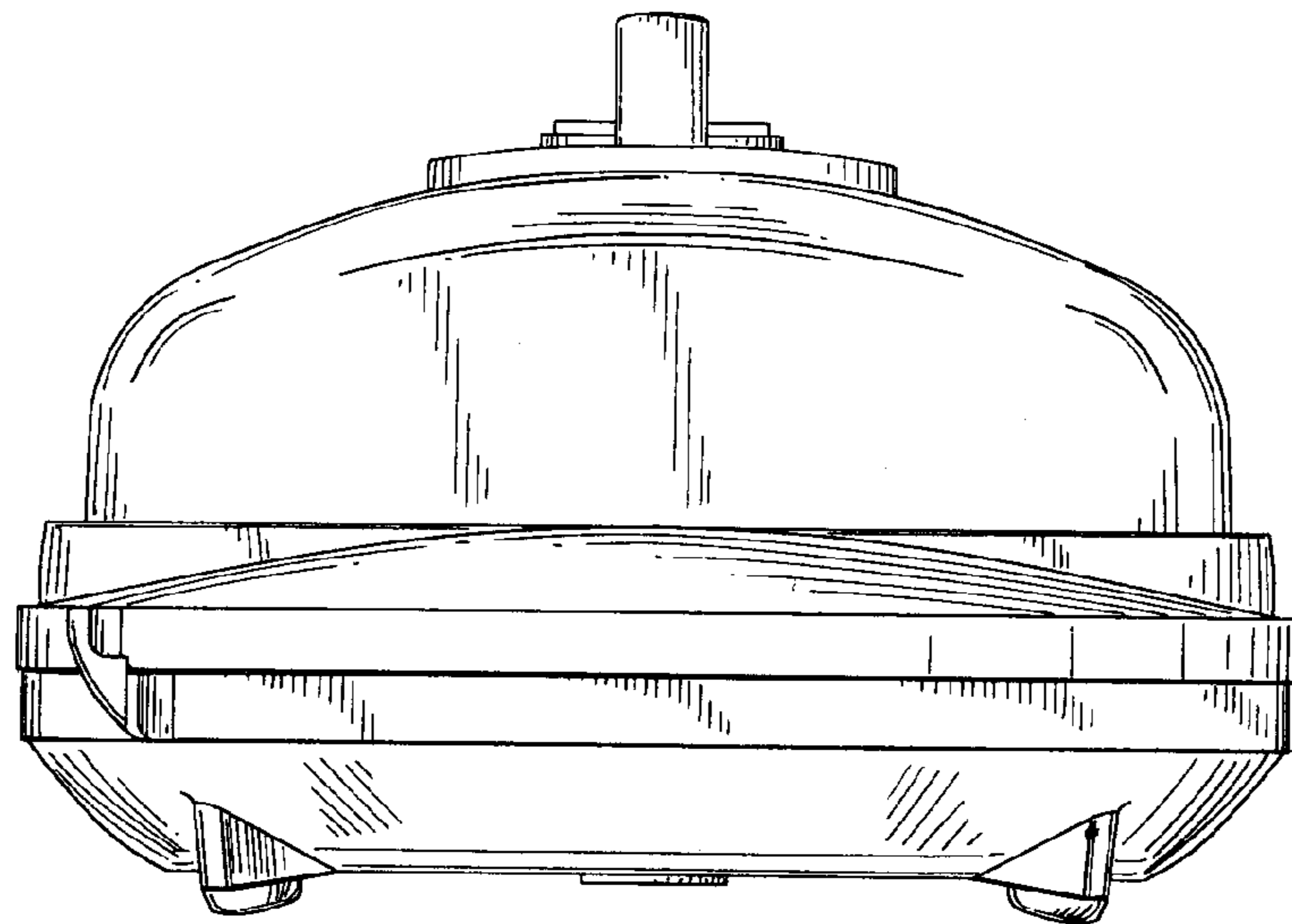


FIG.3

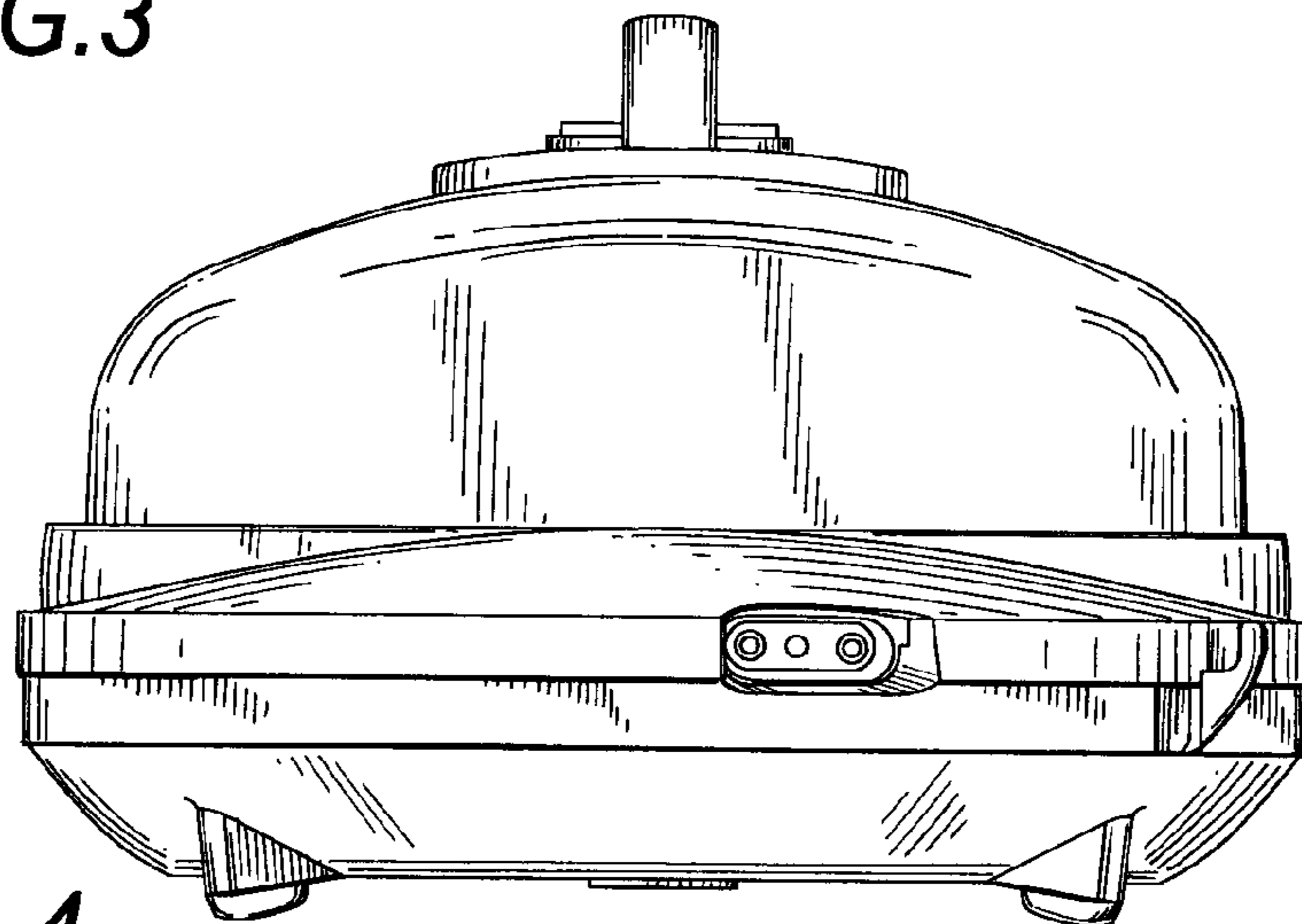


FIG.4

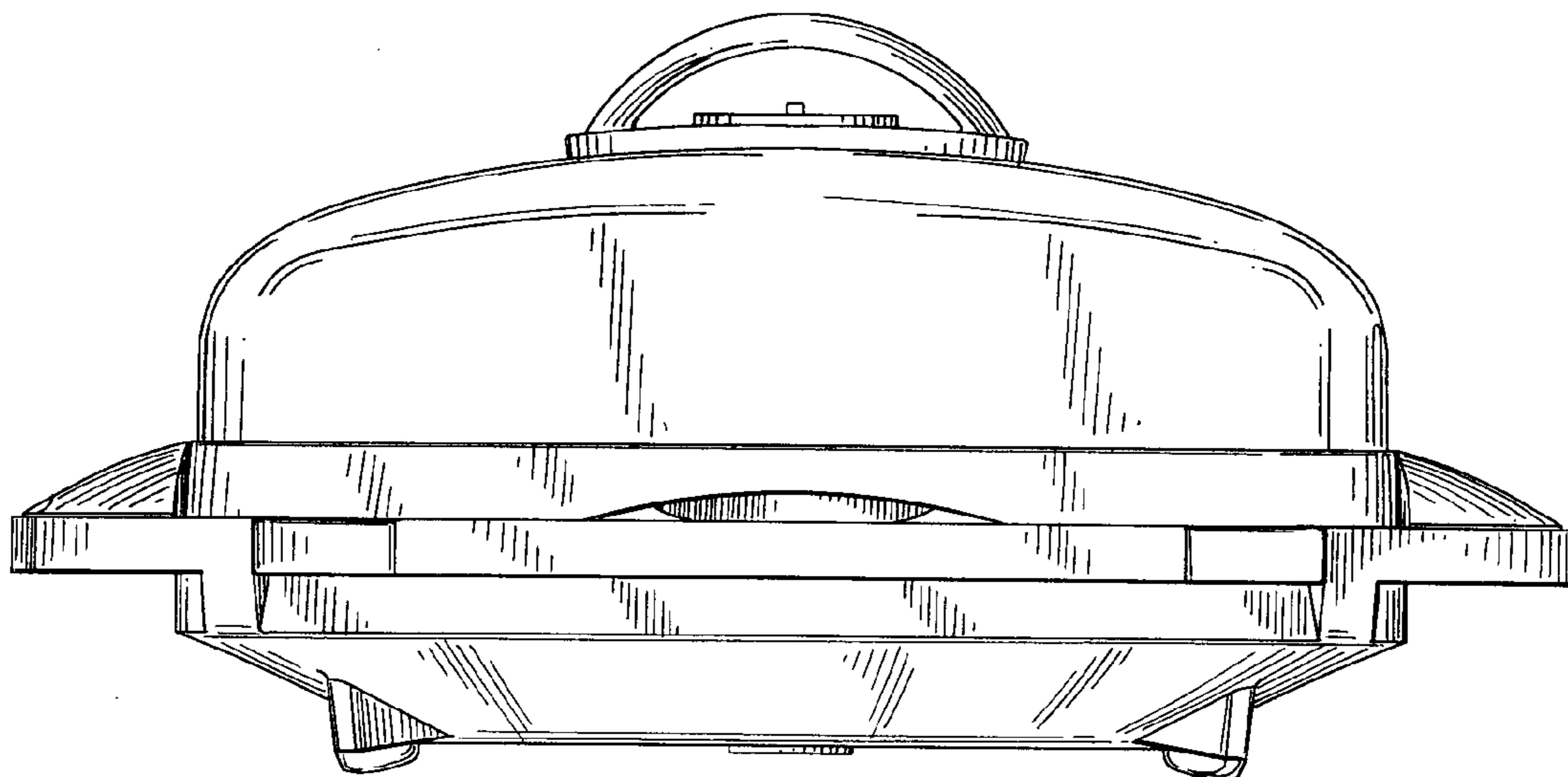


FIG.5

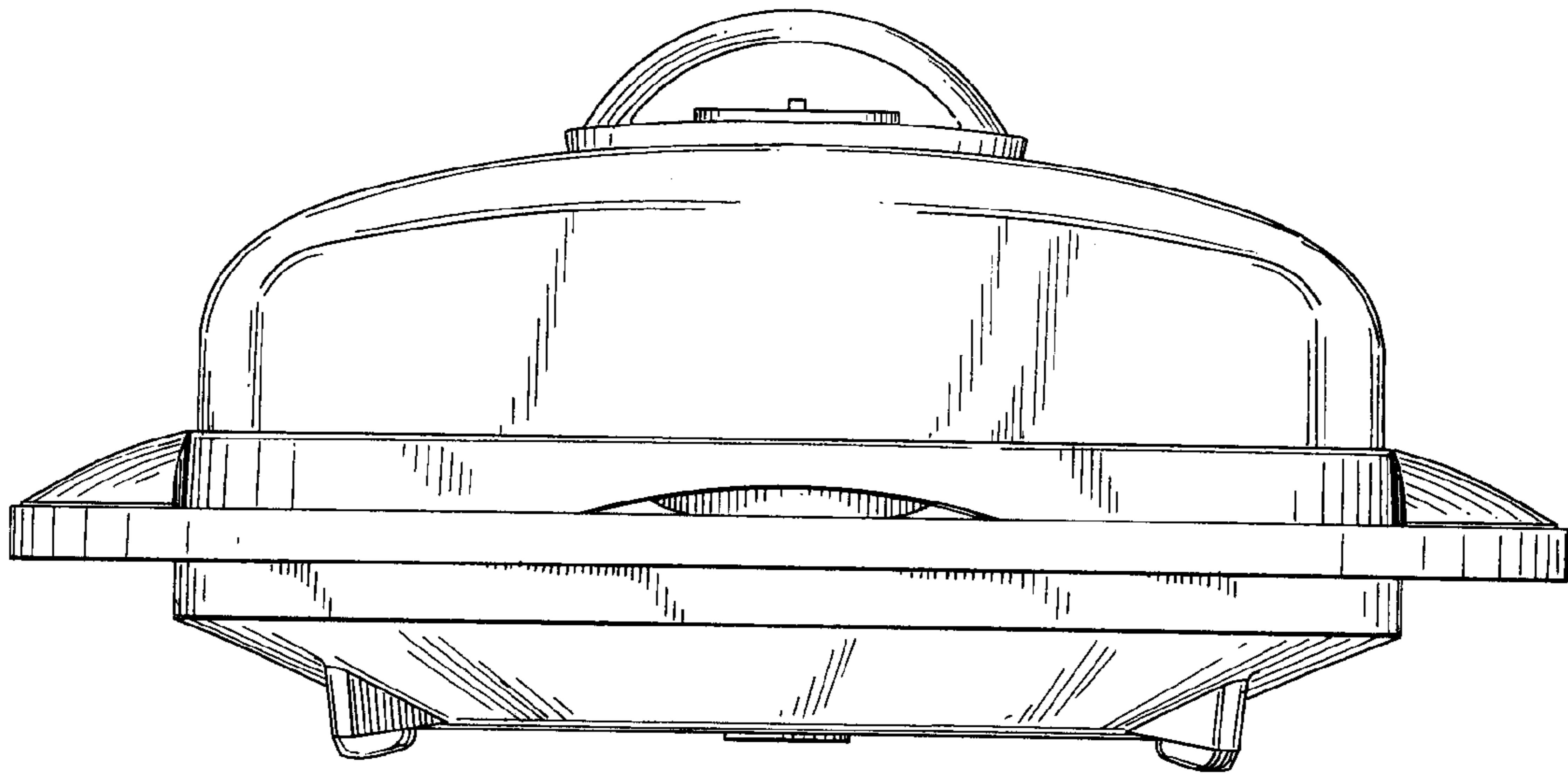


FIG. 6

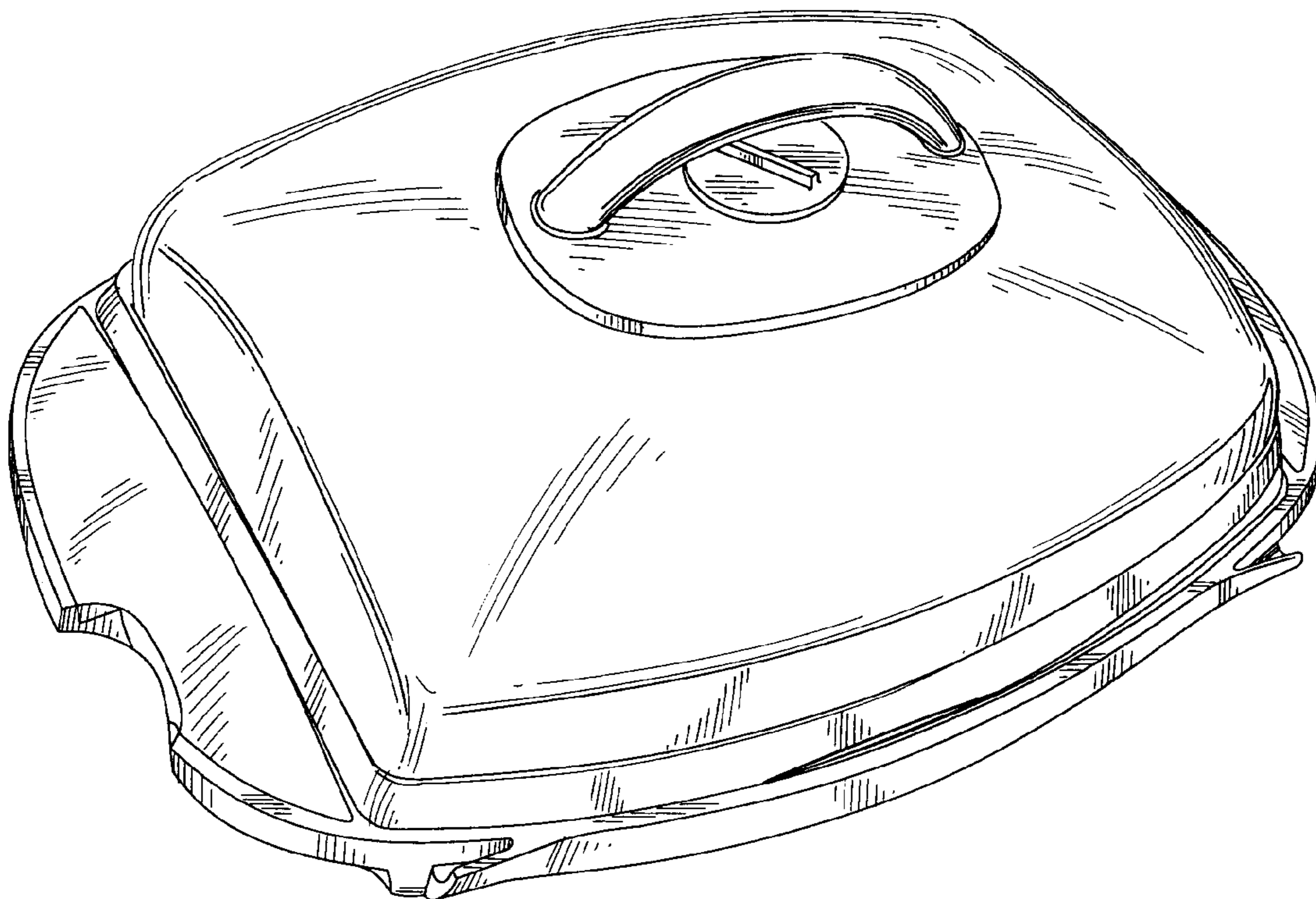


FIG. 7

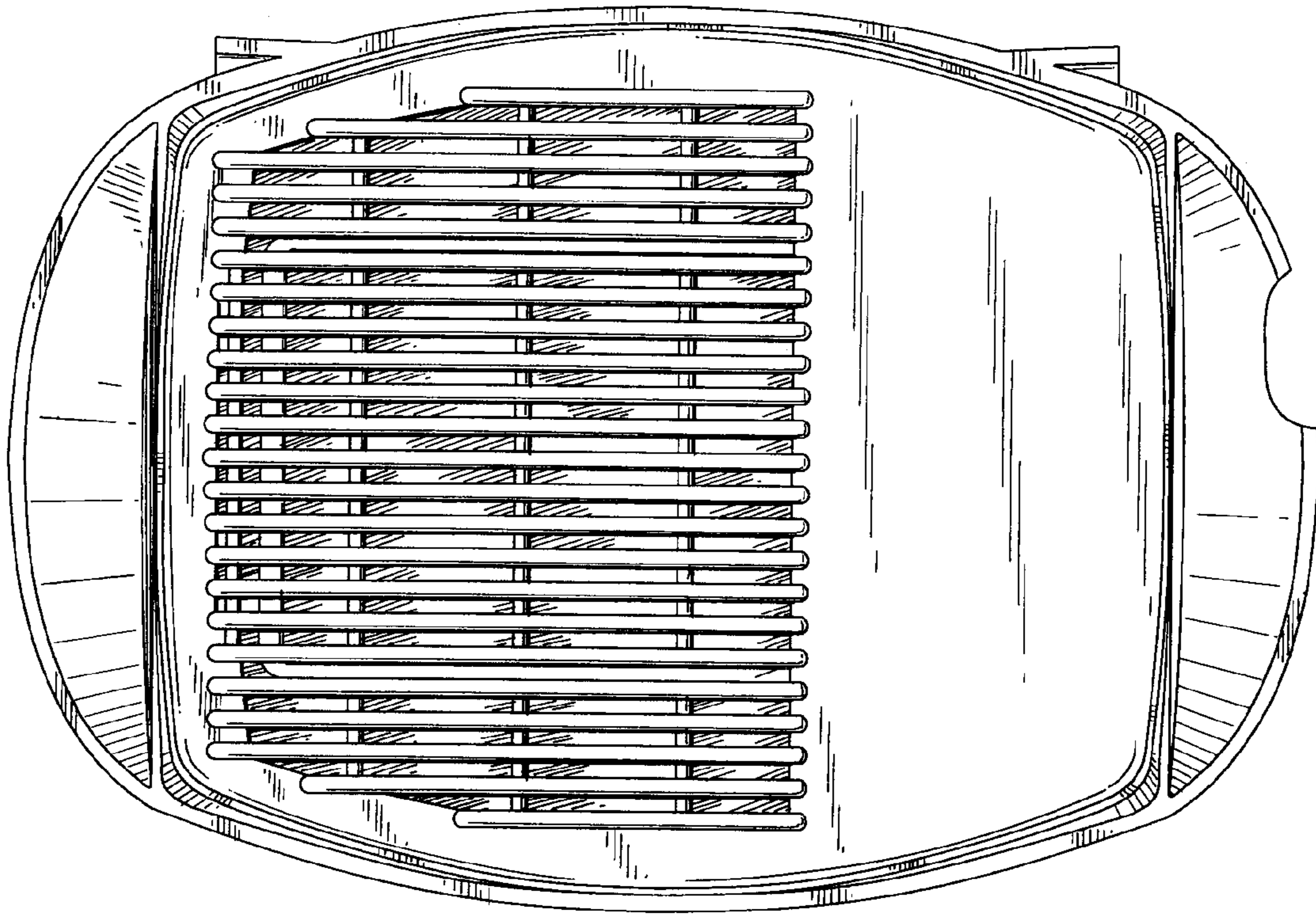


FIG. 8

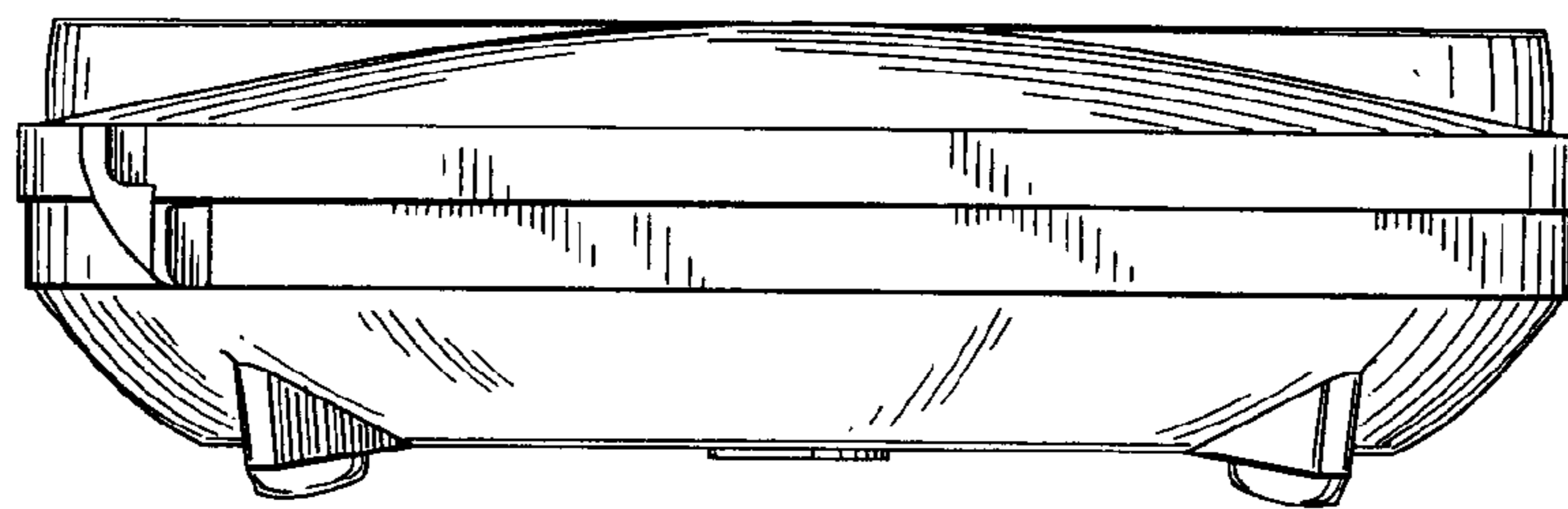


FIG. 9

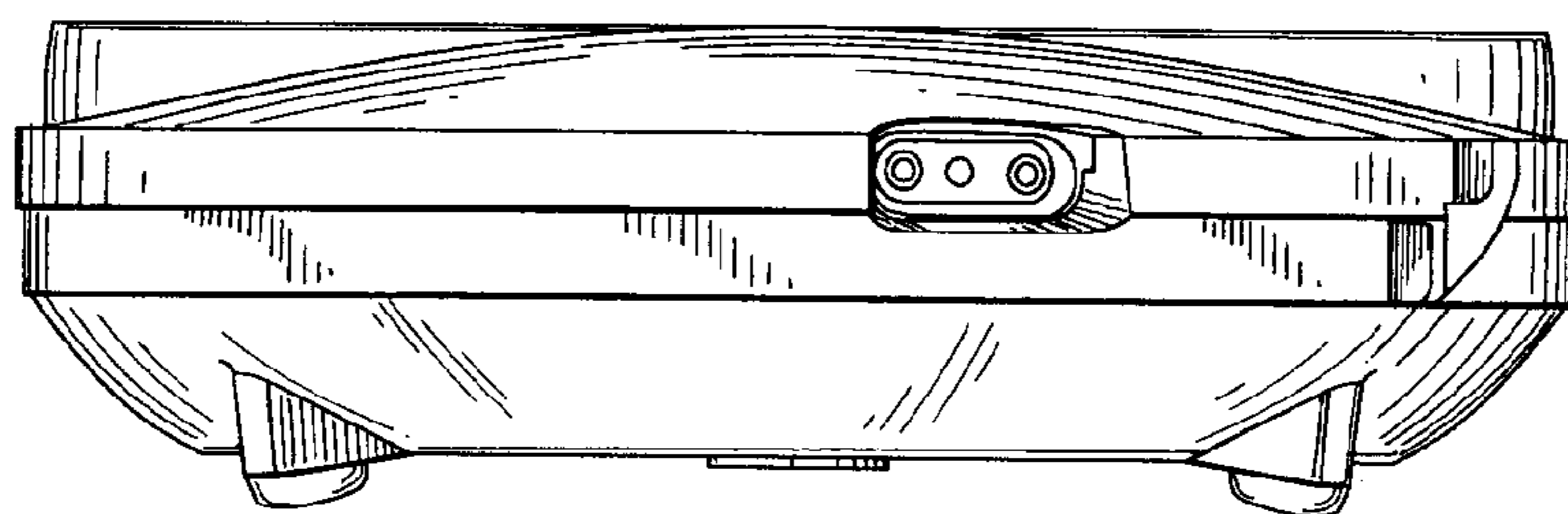


FIG. 10

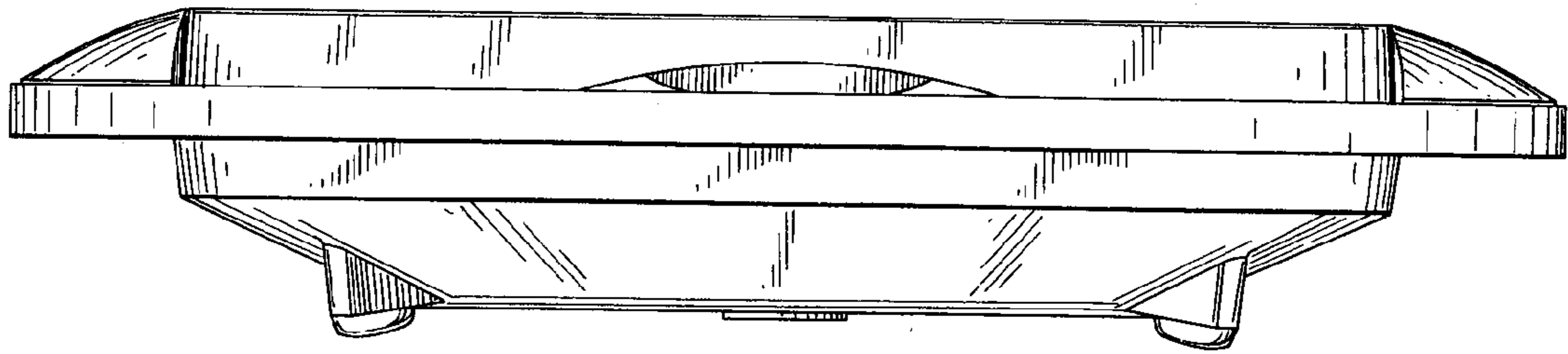


FIG. 11

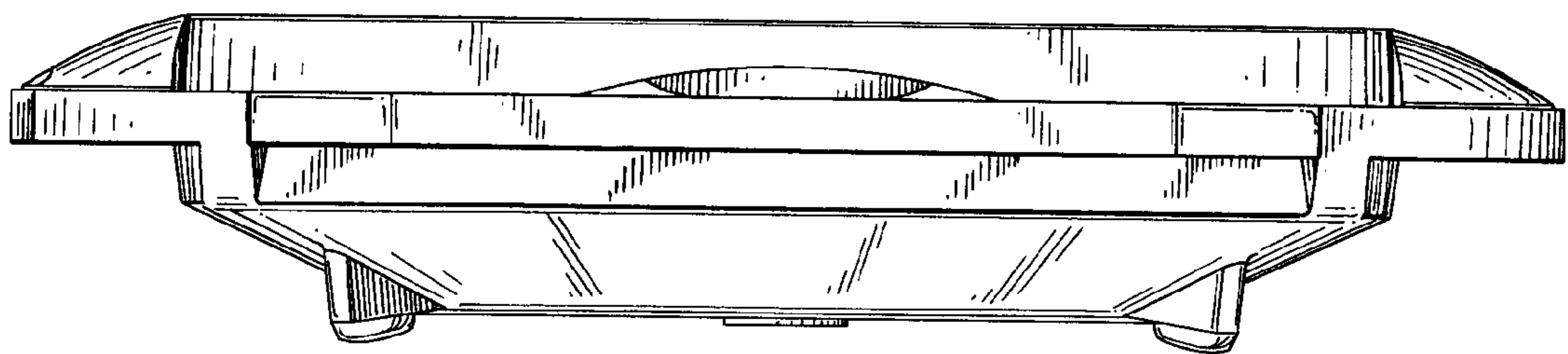


FIG. 12

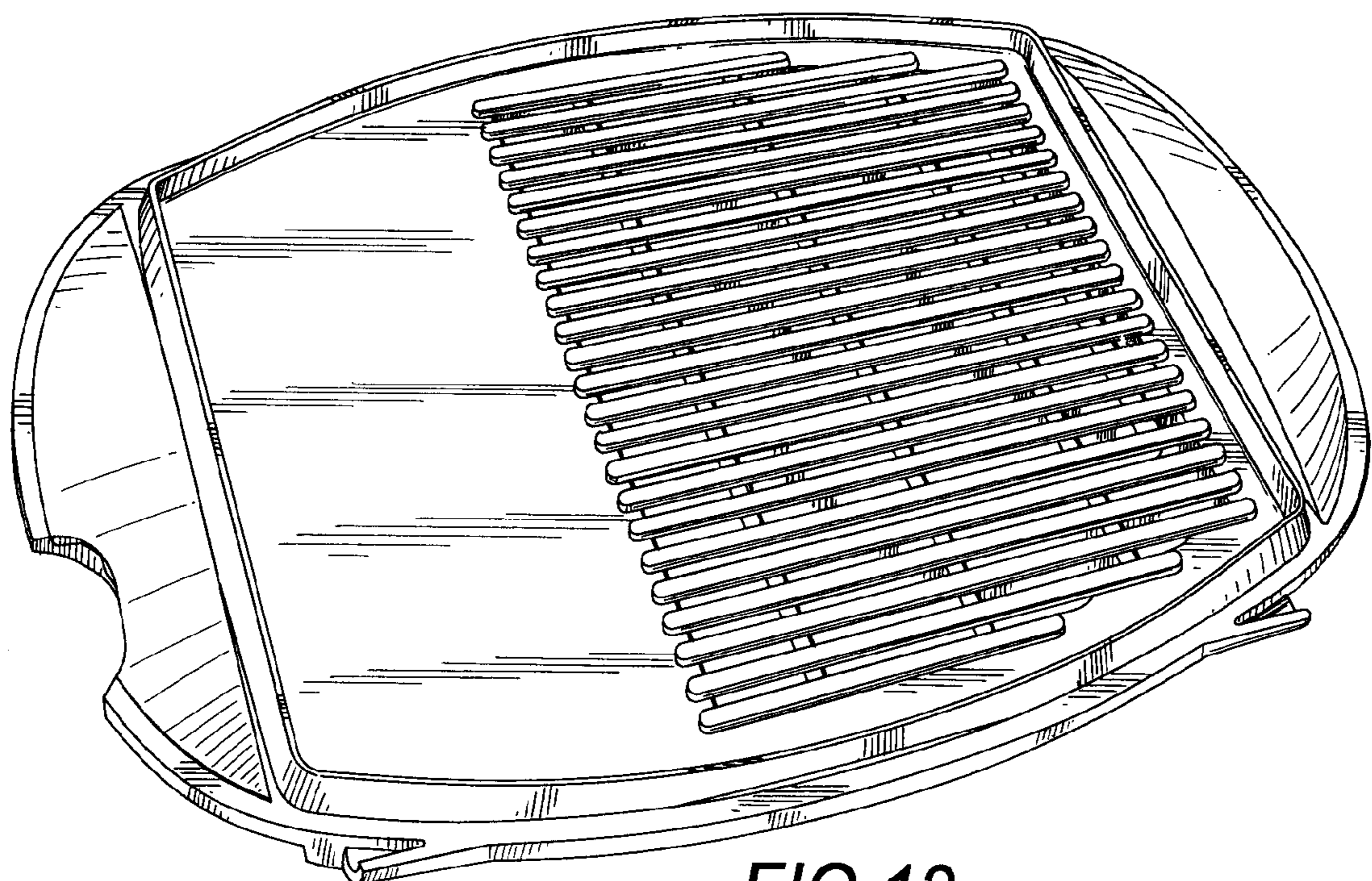


FIG. 13

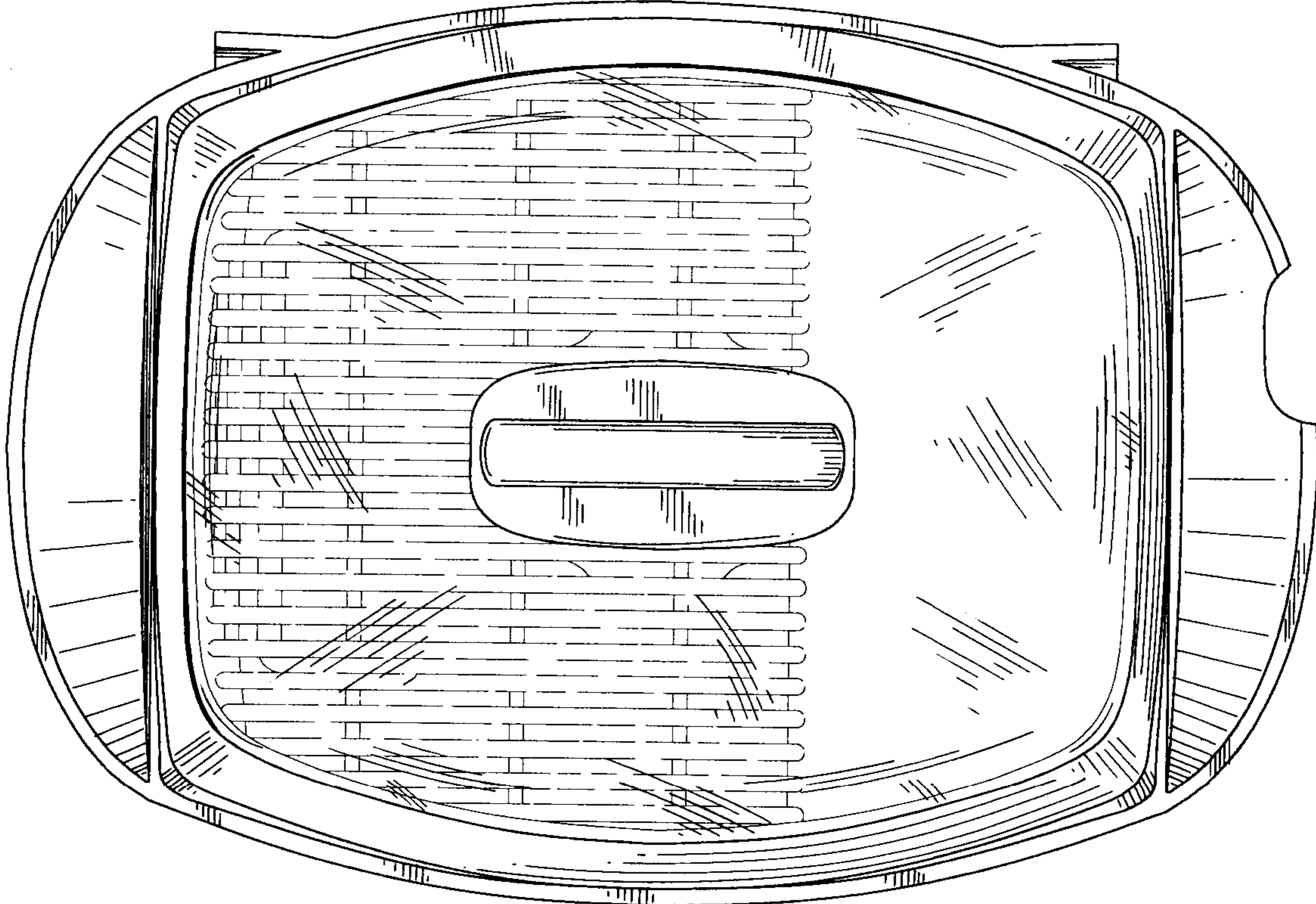


FIG. 14

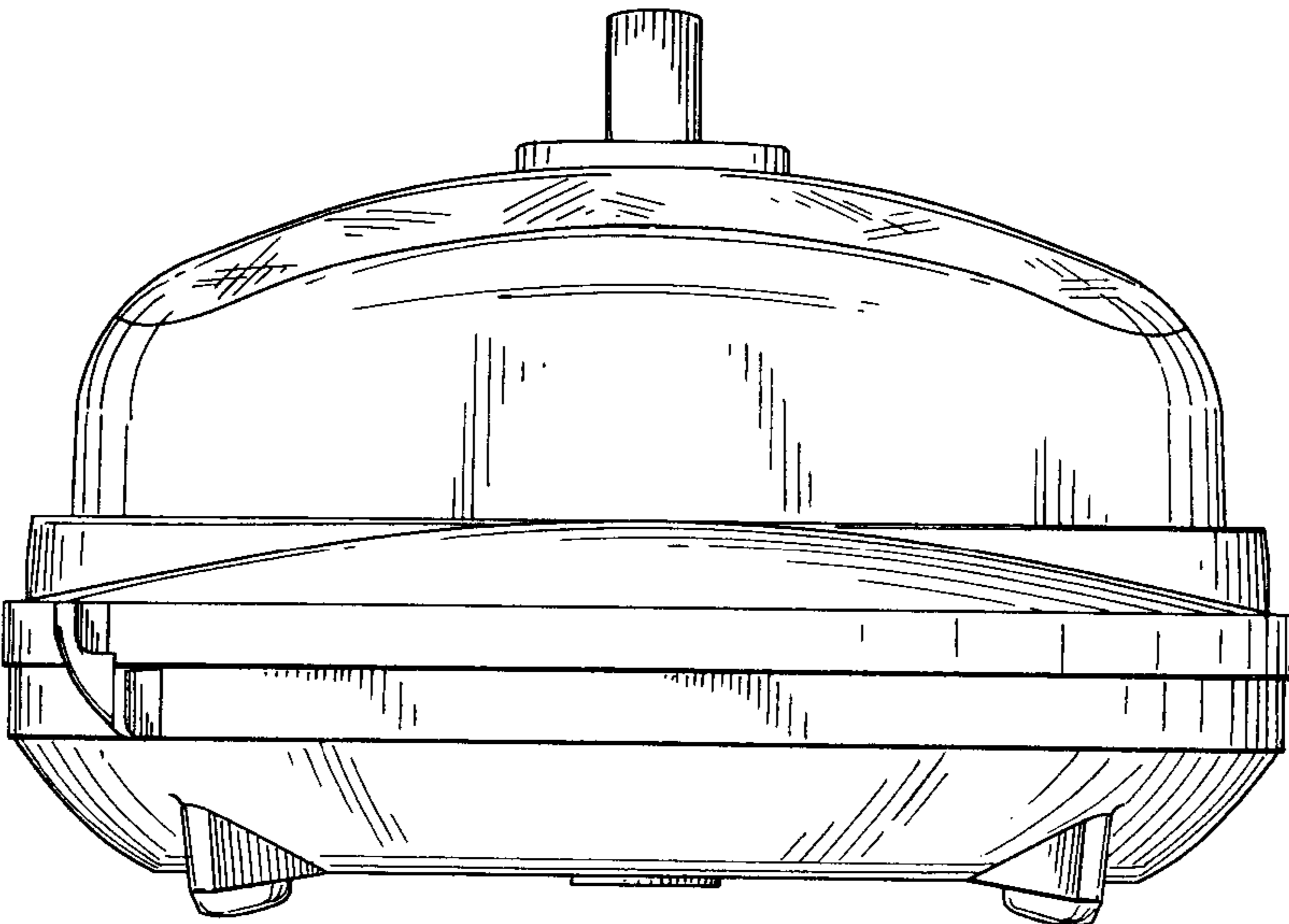


FIG. 15

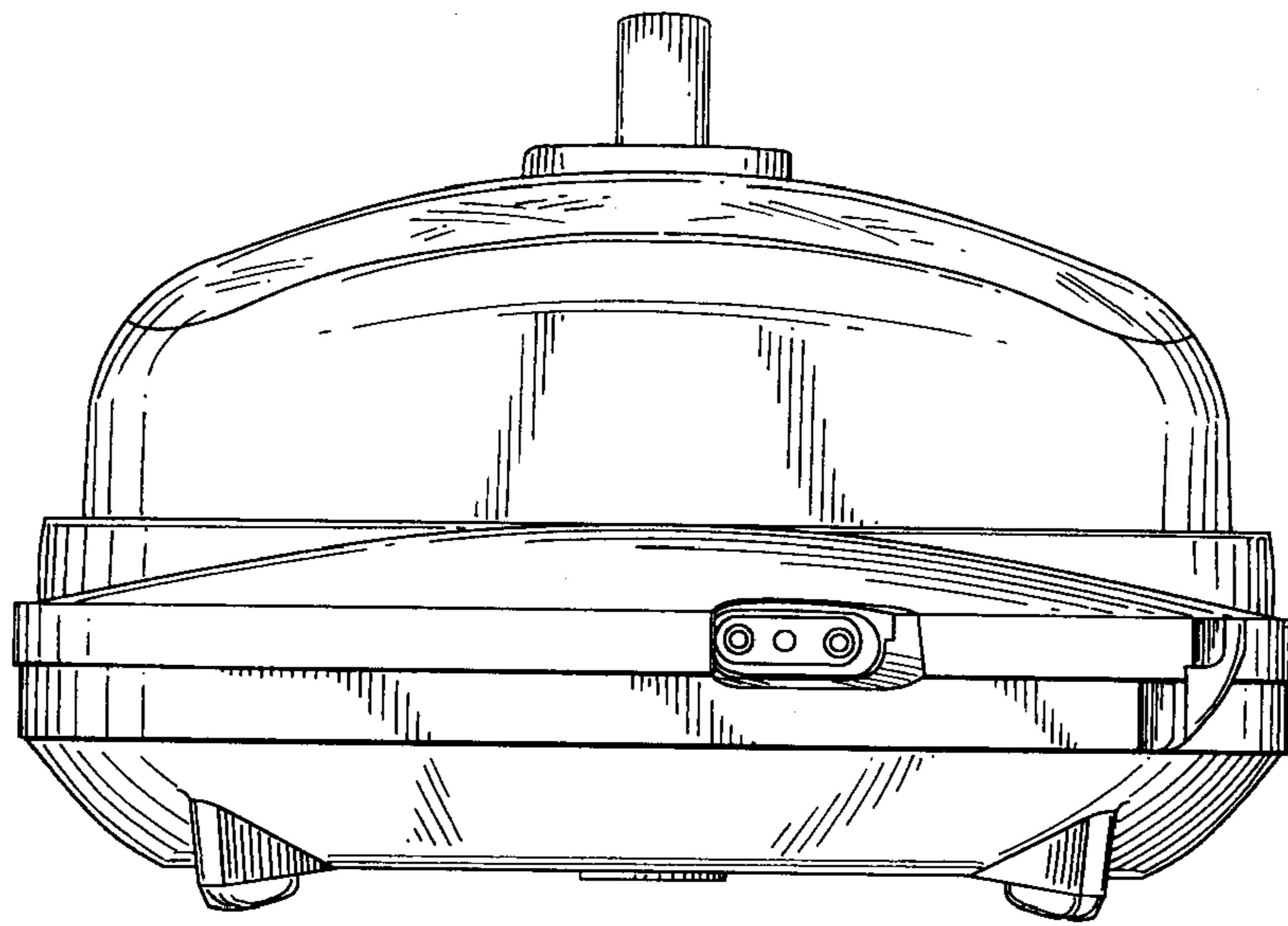


FIG. 16

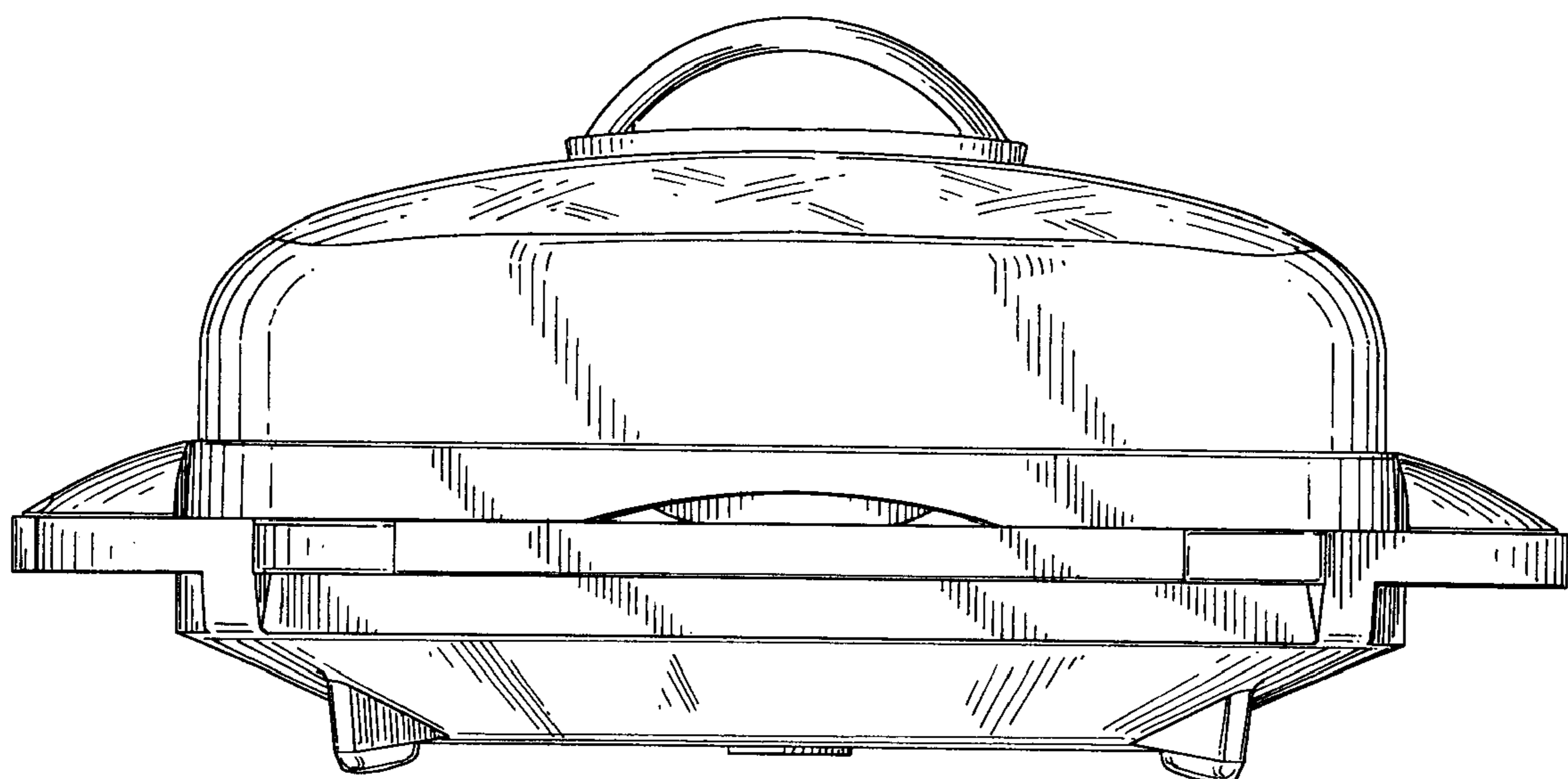


FIG. 17

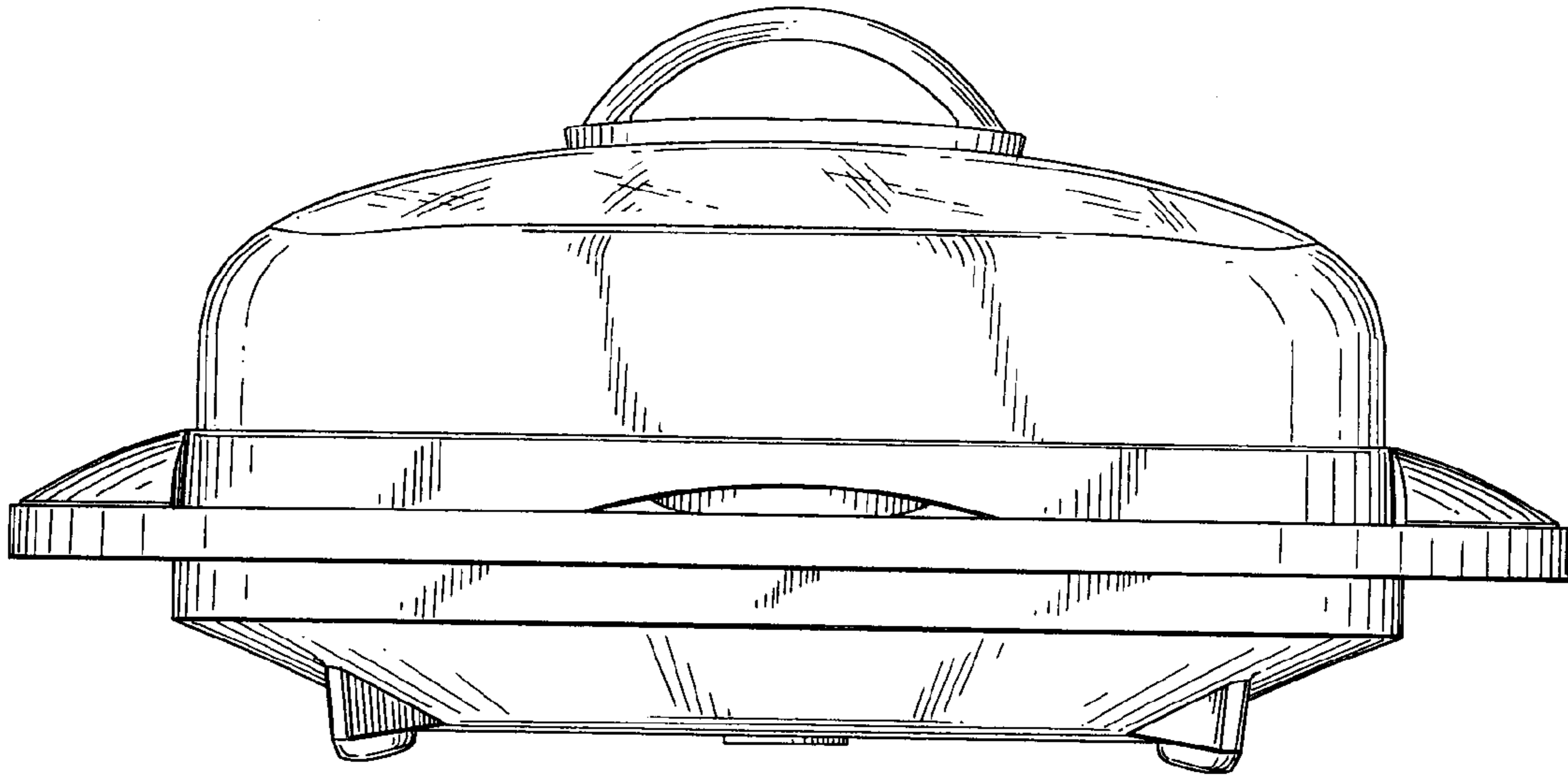


FIG. 18

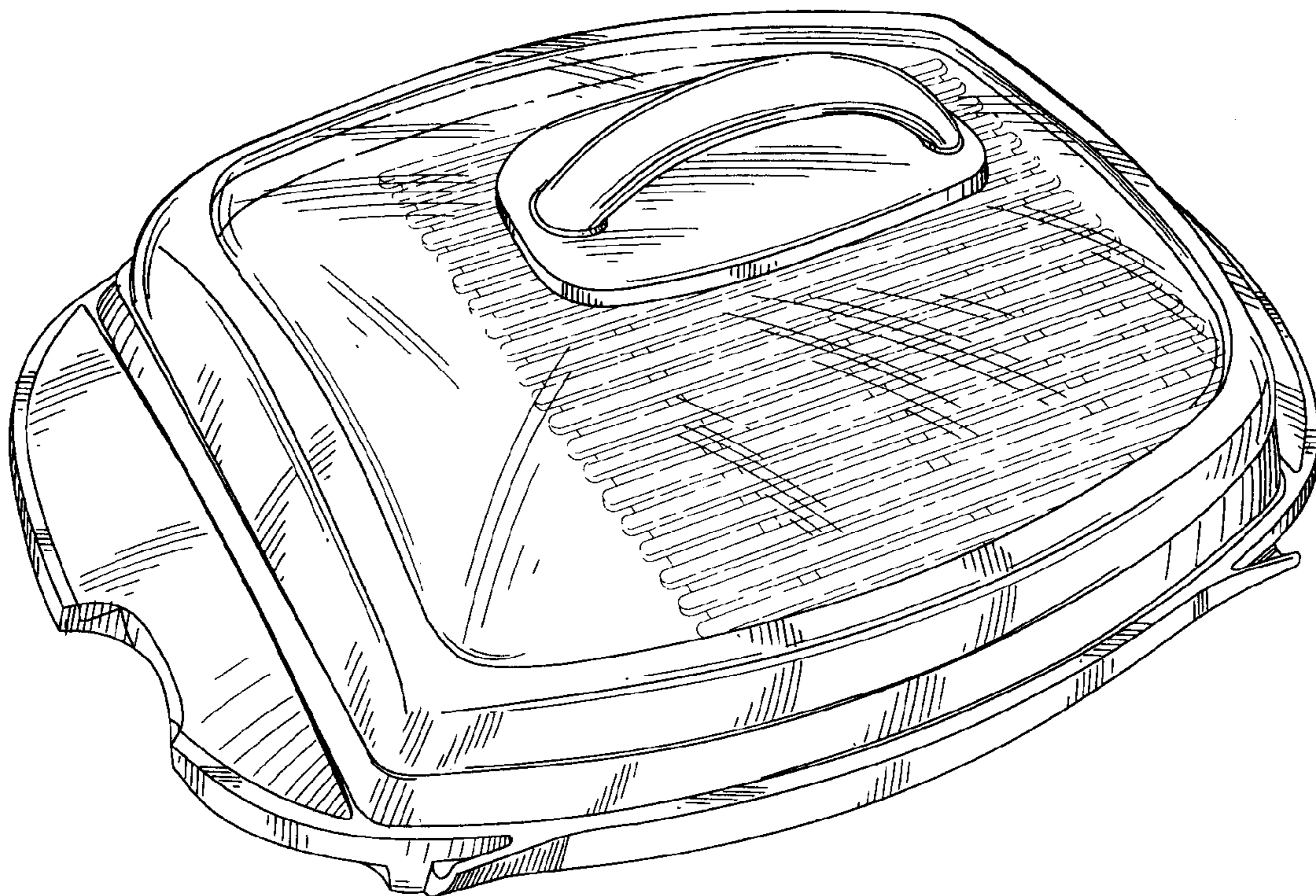


FIG. 19