

US00D505035S

(12) **United States Design Patent**
Mohundro

(10) **Patent No.:** **US D505,035 S**
(45) **Date of Patent:** **** May 17, 2005**

(54) **BED HEADBOARD**

(75) **Inventor:** **James Glenn Mohundro**, Taichung (TW)

(73) **Assignee:** **Pacific Marketing International (H.K.), Ltd.**, Taichung (TW)

(**) **Term:** **14 Years**

(21) **Appl. No.:** **29/203,364**

(22) **Filed:** **Apr. 14, 2004**

(51) **LOC (7) Cl.** **06-06**

(52) **U.S. Cl.** **D6/505**

(58) **Field of Search** D6/382-384, 388, D6/389, 392-395, 505, 508; 5/53.1, 9.1, 279.1, 280, 281, 907, 310

(56) **References Cited**

U.S. PATENT DOCUMENTS

- D368,178 S * 3/1996 Walters et al. D6/393
- D404,217 S * 1/1999 Zaidman et al. D6/393
- D435,358 S * 12/2000 Gallien D6/393

OTHER PUBLICATIONS

Furniture South, Apr. 1982, p,4 bed.*

* cited by examiner

Primary Examiner—Janice E. Seeger

(74) *Attorney, Agent, or Firm*—Rosenberg, Klein & Lee

(57) **CLAIM**

The ornamental design for a bed headboard, as shown and described.

DESCRIPTION

FIG. 1 is a perspective view of a bed headboard, showing my new design;

FIG. 2 is a front elevational view thereof;

FIG. 3 is a rear elevational view thereof;

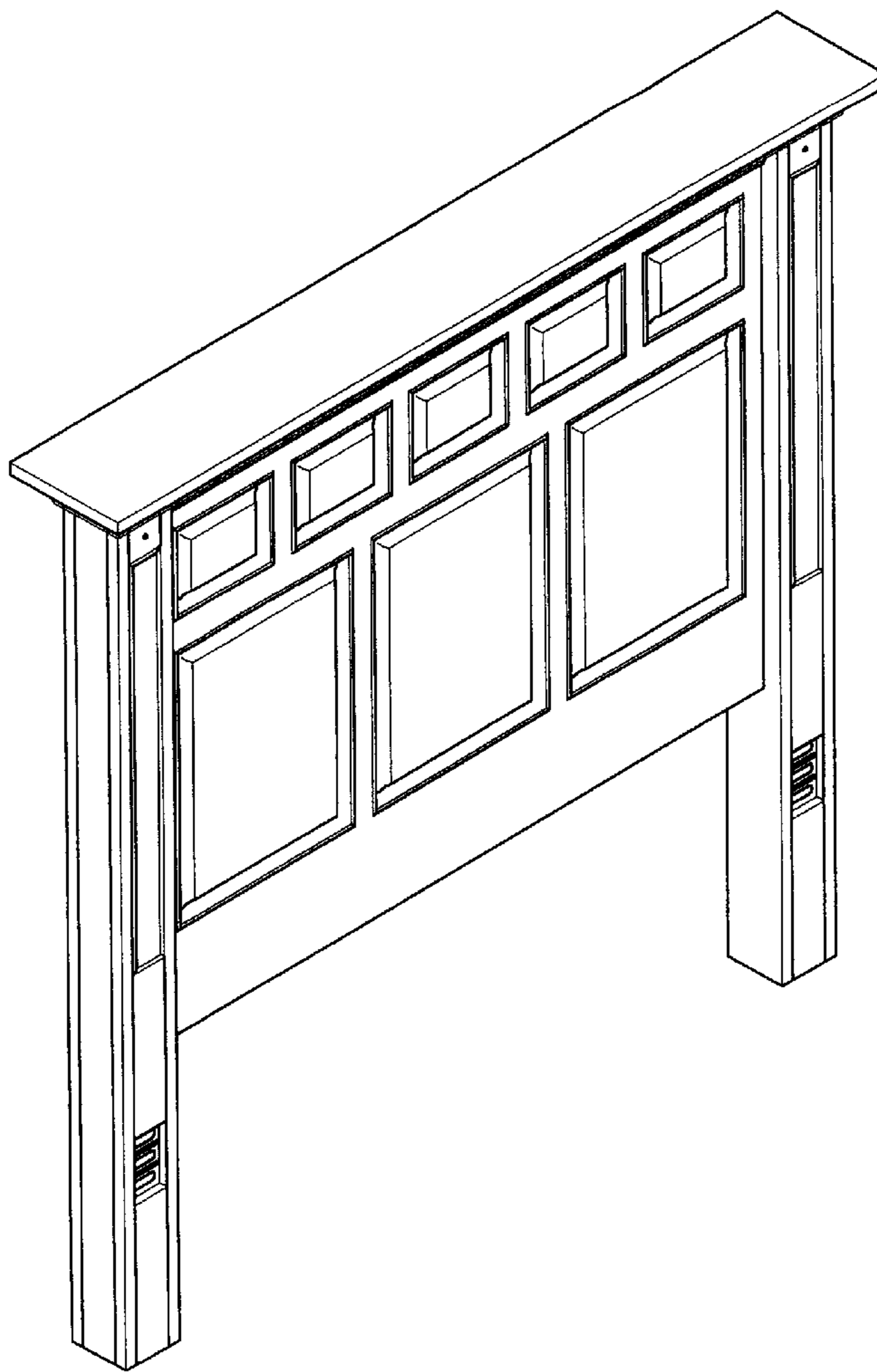
FIG. 4 is a left elevational view thereof; and

FIG. 5 is a right elevational view thereof;

FIG. 6 is a top plan view thereof; and,

FIG. 7 is a bottom plan view thereof.

1 Claim, 5 Drawing Sheets



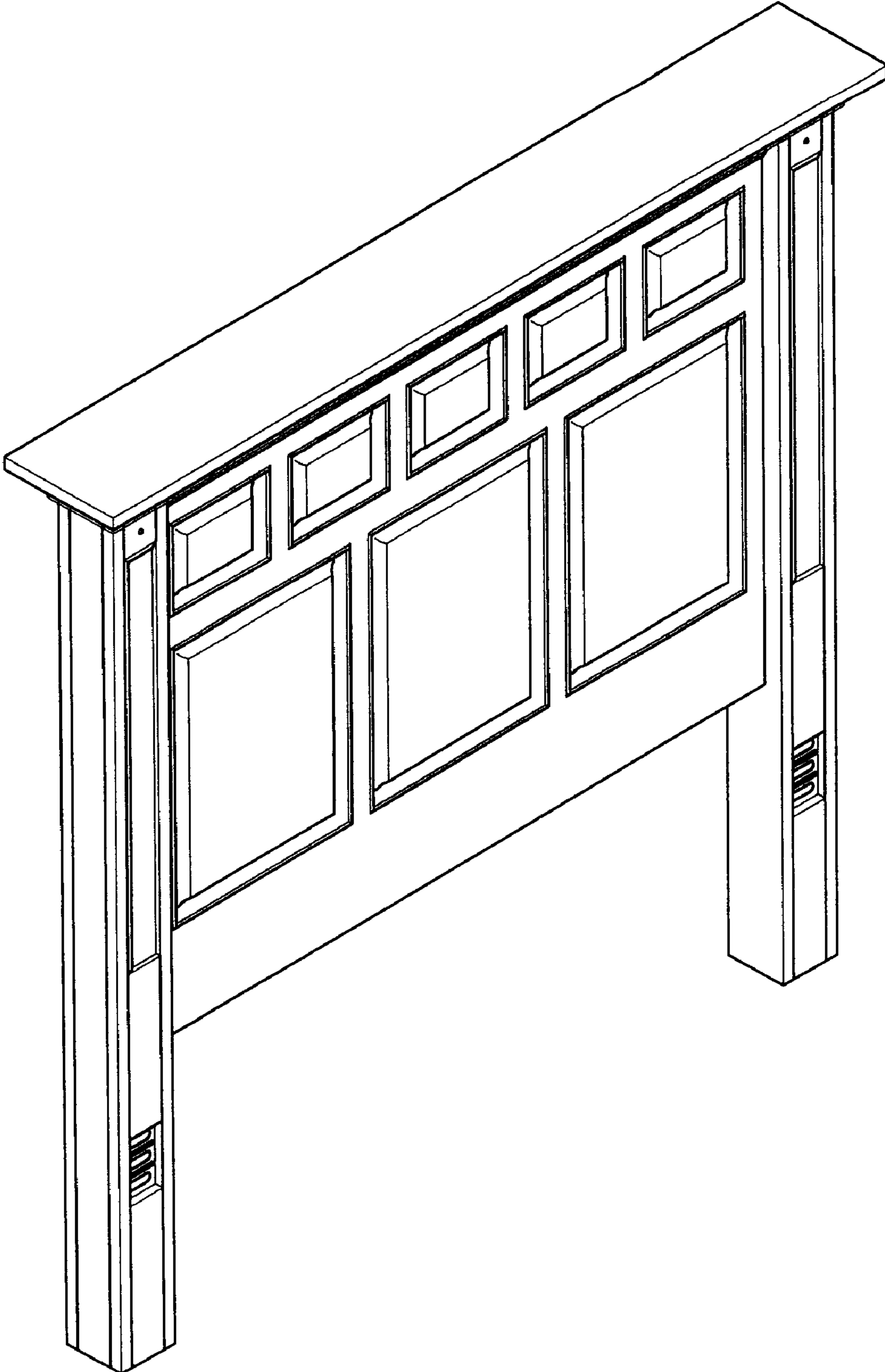


FIG.1

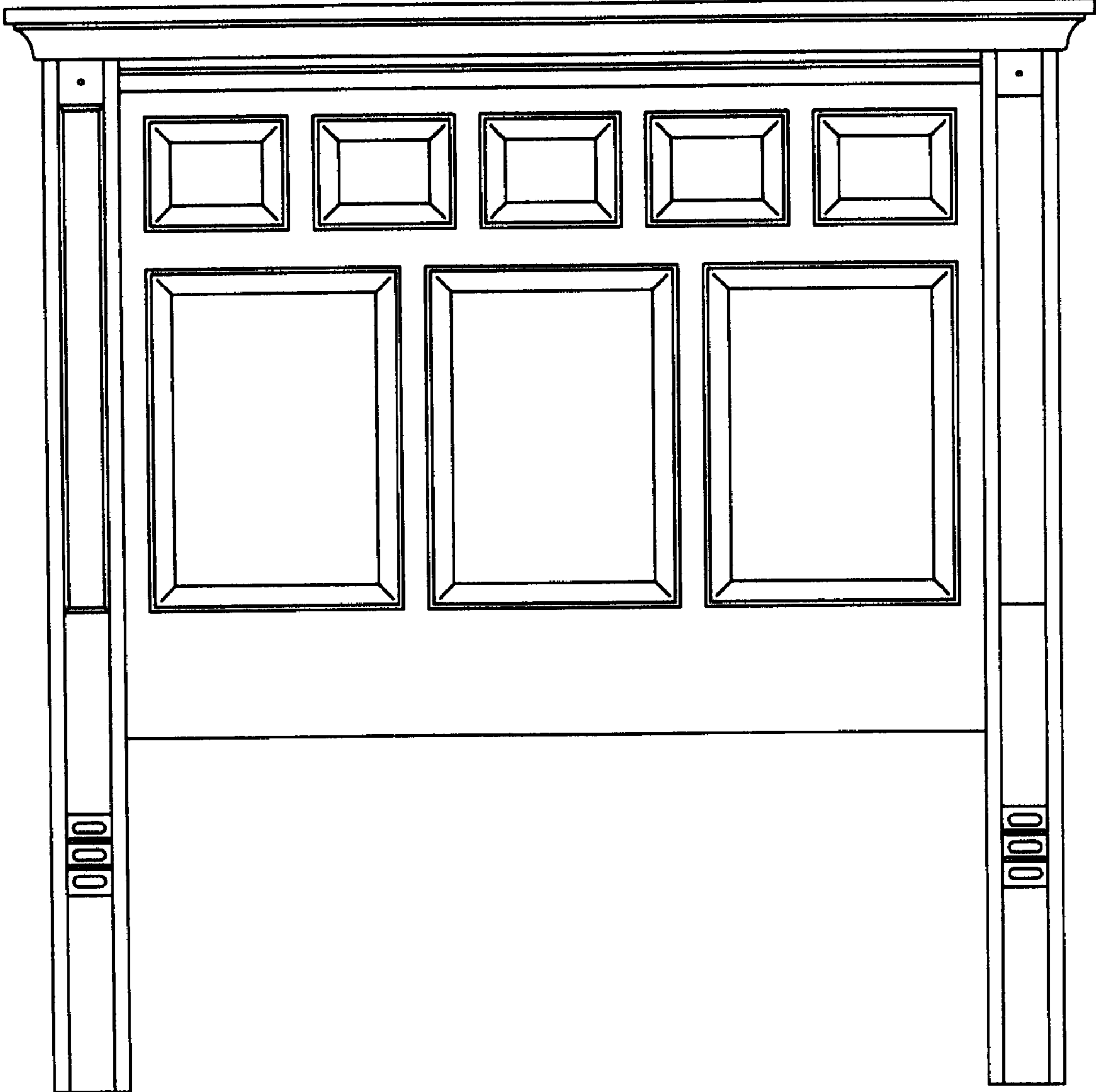


FIG.2

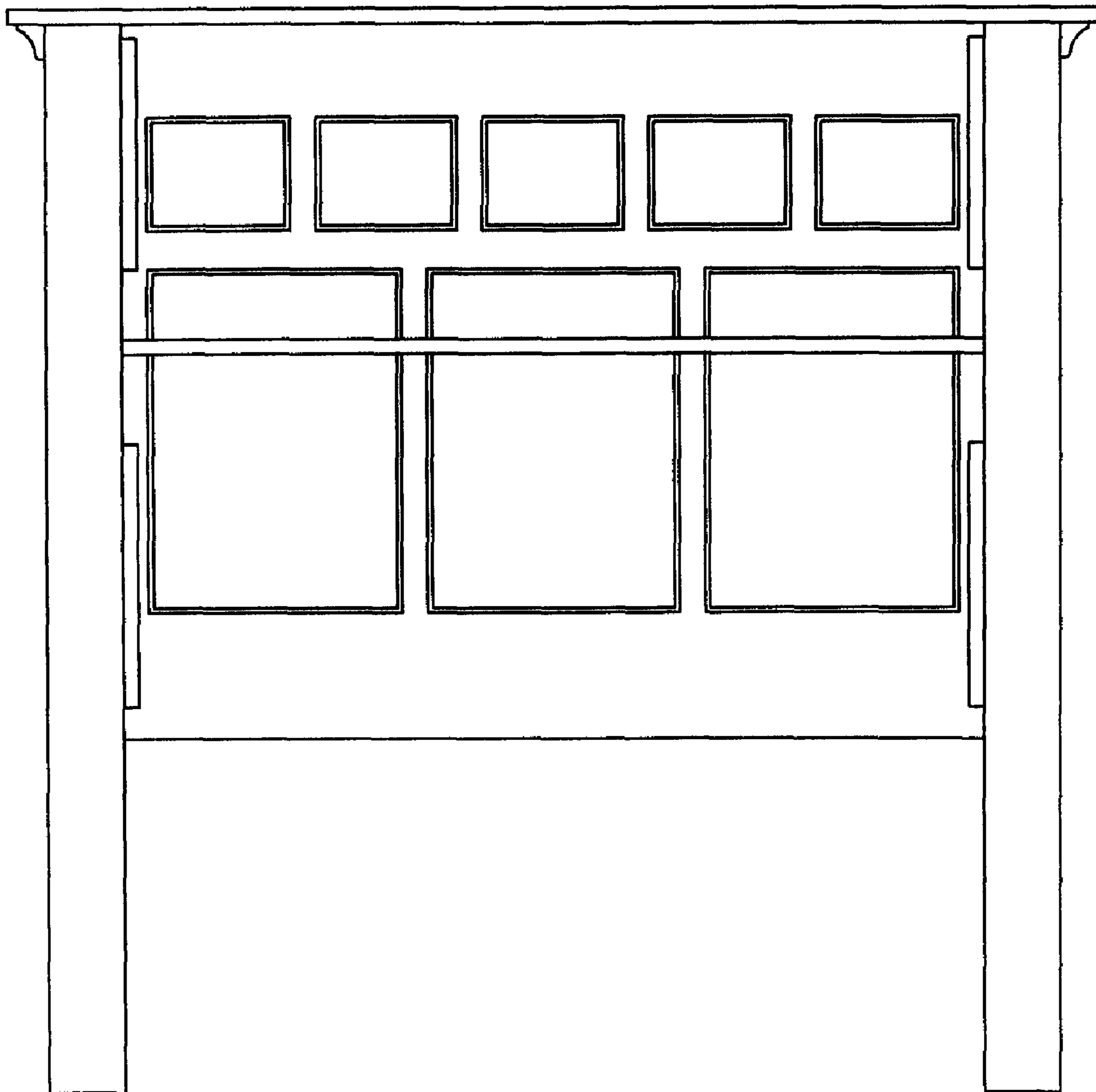


FIG.3

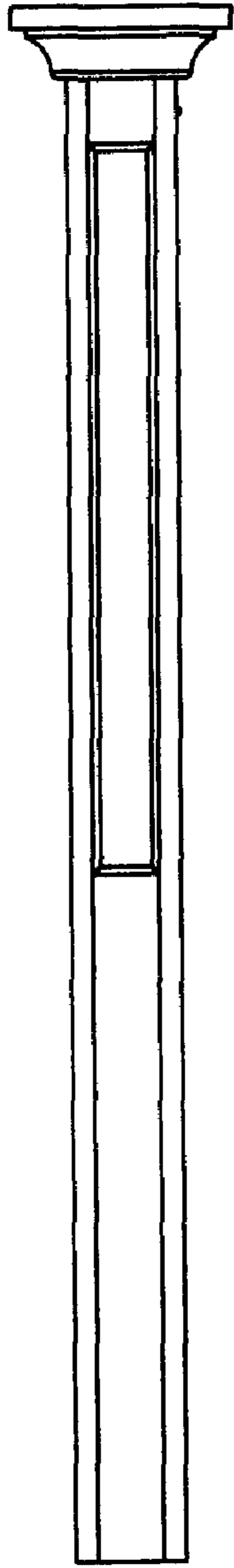


FIG.4

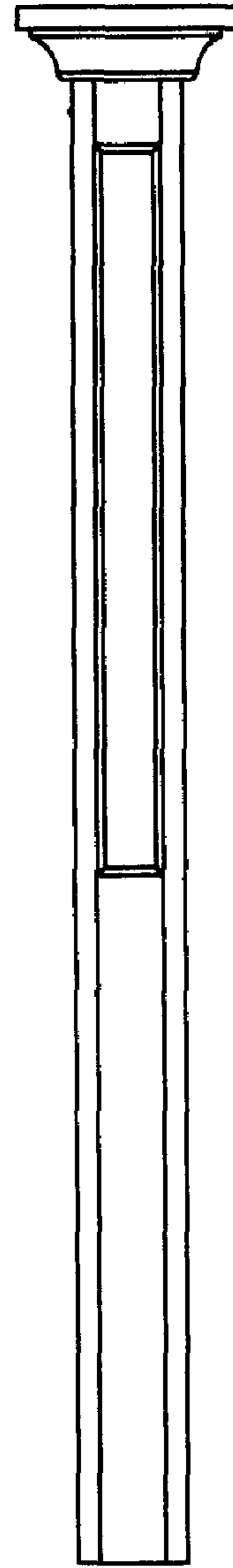


FIG.5



FIG.6

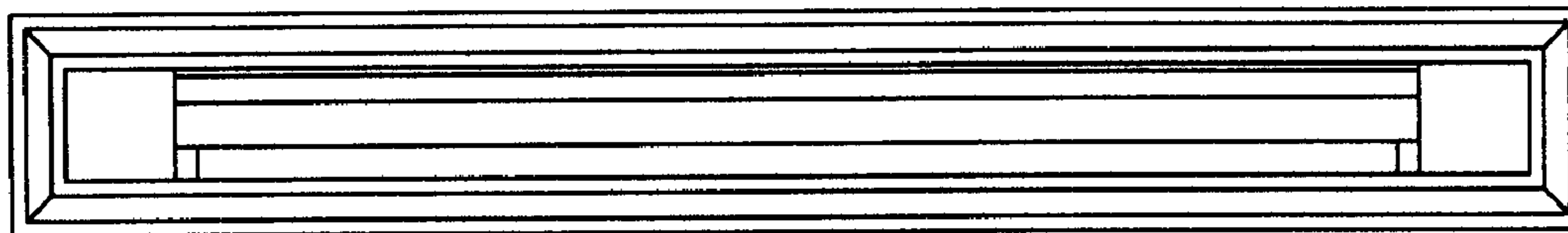


FIG.7