

US00D505032S

(12) **United States Design Patent**
Bergin

(10) **Patent No.:** **US D505,032 S**
(45) **Date of Patent:** **** May 17, 2005**

(54) **BOOK AND ACCESSORY HOLDER FOR BENCH BACKS AT THE BACKS OF CHAIRS**

(75) Inventor: **Peter W. A. Bergin**, Rancho Mirage, CA (US)

(73) Assignee: **Caddy Products, Inc.**, Thousand Palms, CA (US)

(**) Term: **14 Years**

(21) Appl. No.: **29/202,095**

(22) Filed: **Mar. 25, 2004**

(51) **LOC (7) Cl.** **06-06**

(52) **U.S. Cl.** **D6/491**

(58) **Field of Search** D6/334-336, 341, D6/367, 368, 475, 476, 491, 492, 500-502, 513, 514, 553; 297/188.01, 188.04, 188.06, 188.07, 188.2; D19/86, 90, 91; 211/119.007

(56) **References Cited**

U.S. PATENT DOCUMENTS

345,710 A *	7/1886	Mason	297/188.04
553,359 A *	1/1896	Pickett	211/119.007
951,134 A	3/1910	Knape		
2,841,211 A *	7/1958	Thompson	297/188.06
3,125,372 A *	3/1964	Rose	297/188.2
3,254,931 A	6/1966	Jacobi	312/235
4,767,131 A	8/1988	Springer et al.	280/289 WC
4,807,929 A *	2/1989	Balsbaugh	297/188.04
D333,580 S *	3/1993	Brummett	D6/491
5,421,637 A *	6/1995	Lemburg	297/188.01
5,421,638 A	6/1995	Ayotte et al.	297/188.04

5,628,103 A	5/1997	Ayotte et al.	29/525.01
5,709,429 A	1/1998	Bergin	297/188.04
5,713,628 A	2/1998	Lucatuorto	297/188.06
6,260,811 B1	7/2001	O'Neil	248/311.2
6,457,772 B1	10/2002	Forston	297/188.14
6,471,290 B1 *	10/2002	Moody et al.	297/188.2
6,607,241 B2	8/2003	Johnston	297/188.06

OTHER PUBLICATIONS

S & H Enterprises, LLC., *Wood Book Rack Communion Cup & Card Holder*, 2002.

* cited by examiner

Primary Examiner—Mimosa De

(74) *Attorney, Agent, or Firm*—Westman, Champlin & Kelly

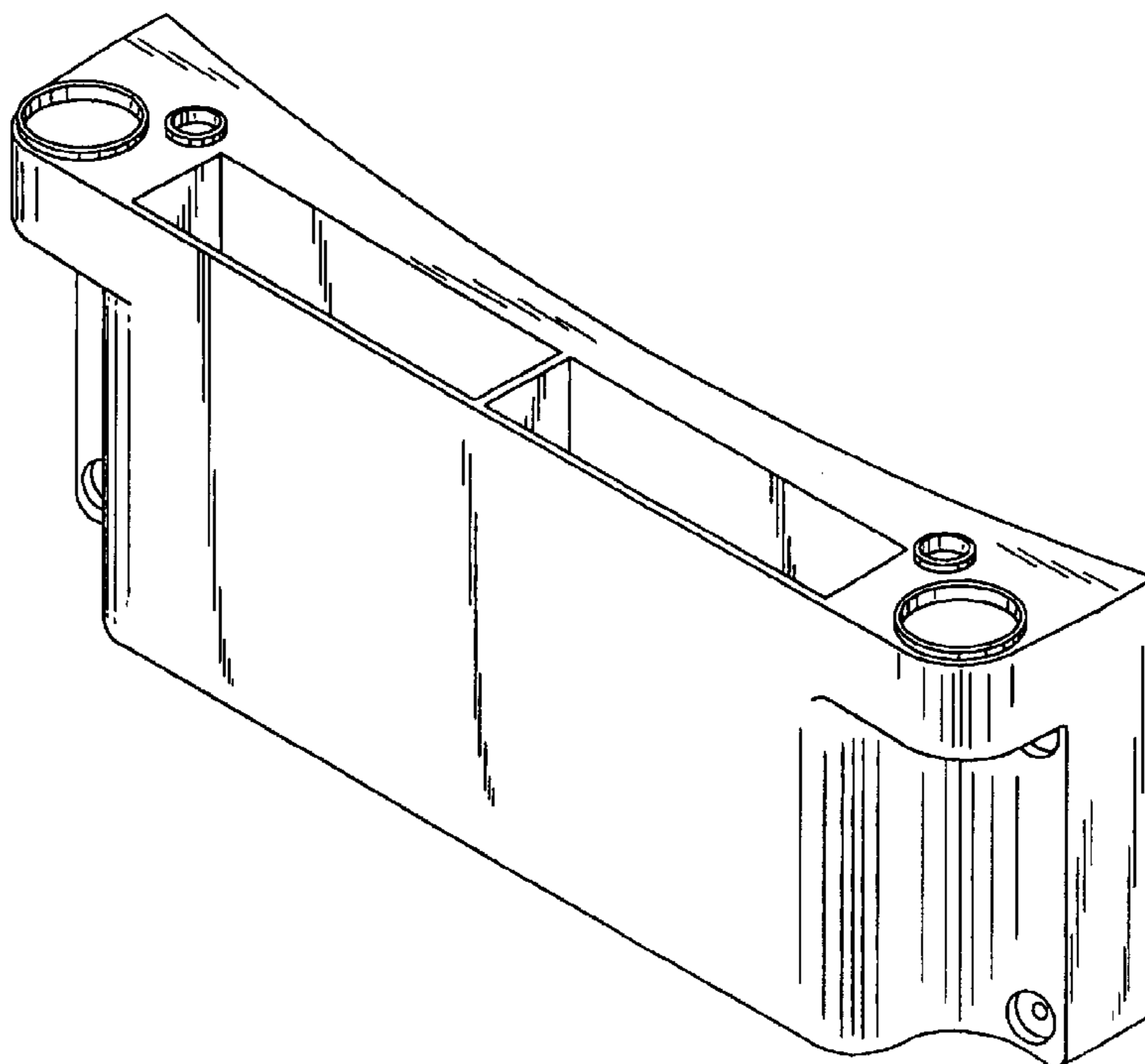
(57) **CLAIM**

The ornamental design for a book and accessory holder for bench backs at the backs of chairs, as shown.

DESCRIPTION

FIG. 1 is a front perspective view of a book and accessory holder for bench backs and the backs of chairs embodying my new design;
FIG. 2 is a top plan view thereof;
FIG. 3 is a front view thereof;
FIG. 4 is an end elevational view thereof taken from a first end;
FIG. 5 is an end view thereof from an end opposite FIG. 4;
FIG. 6 is a rear view thereof; and,
FIG. 7 is a bottom view thereof.

1 Claim, 6 Drawing Sheets



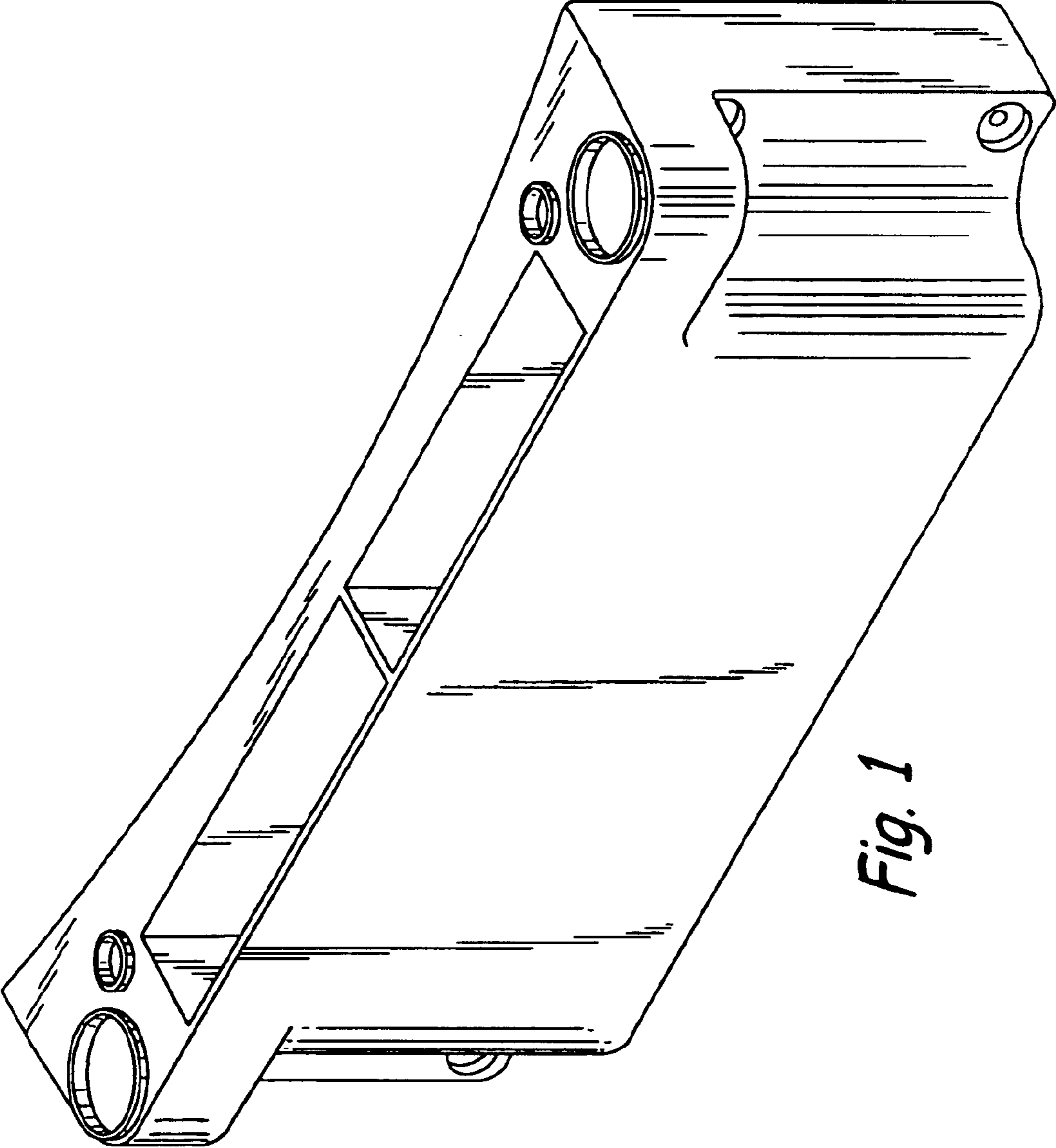


Fig. 1

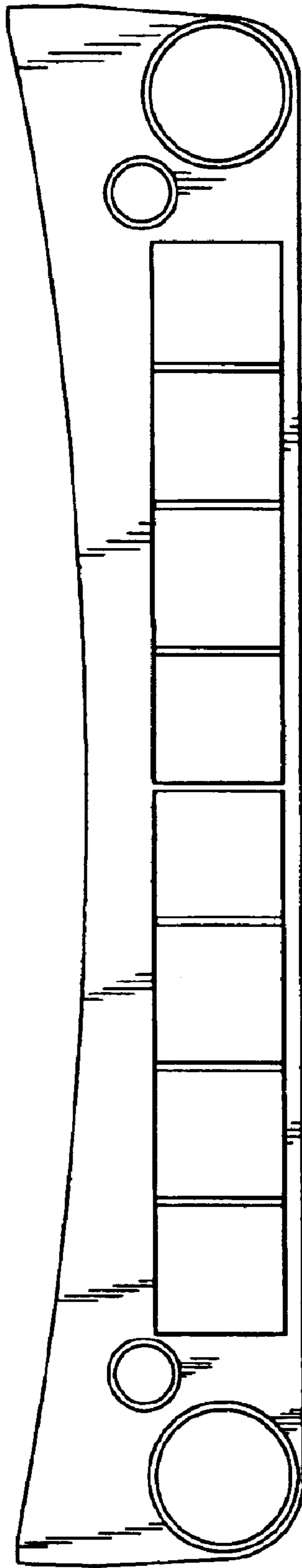


Fig. 2

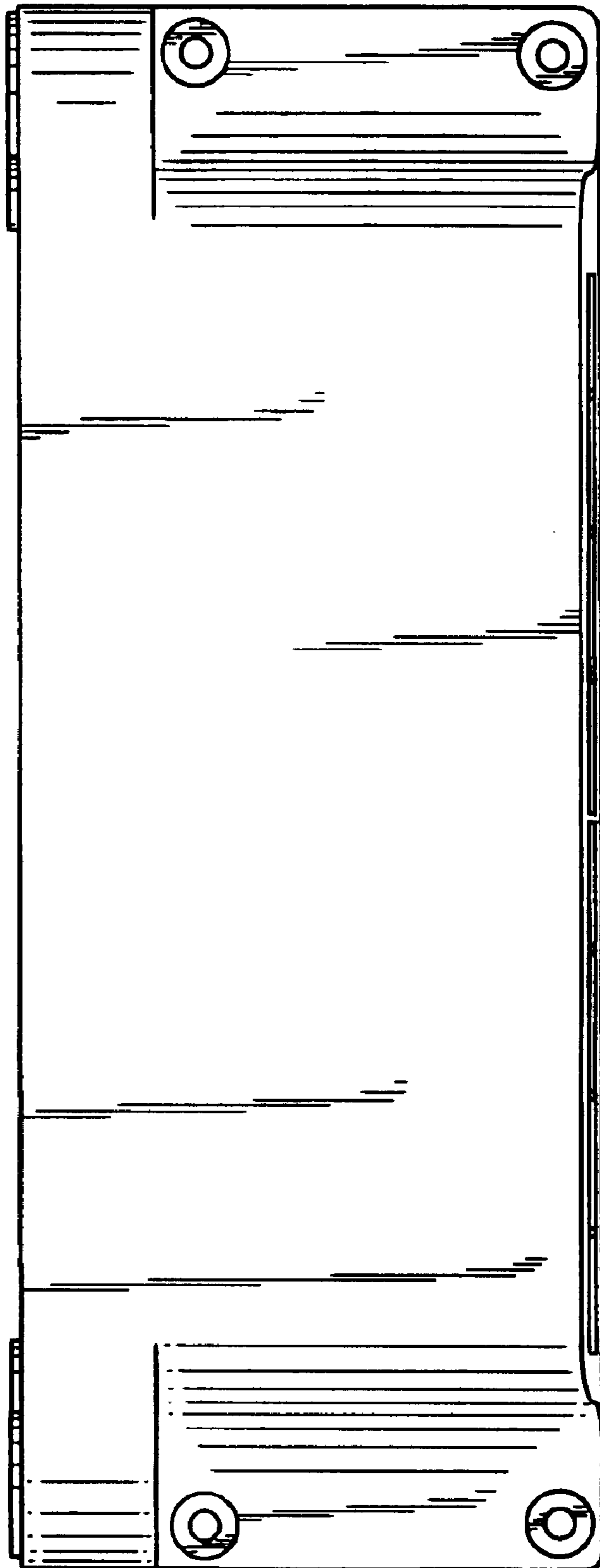


Fig. 3

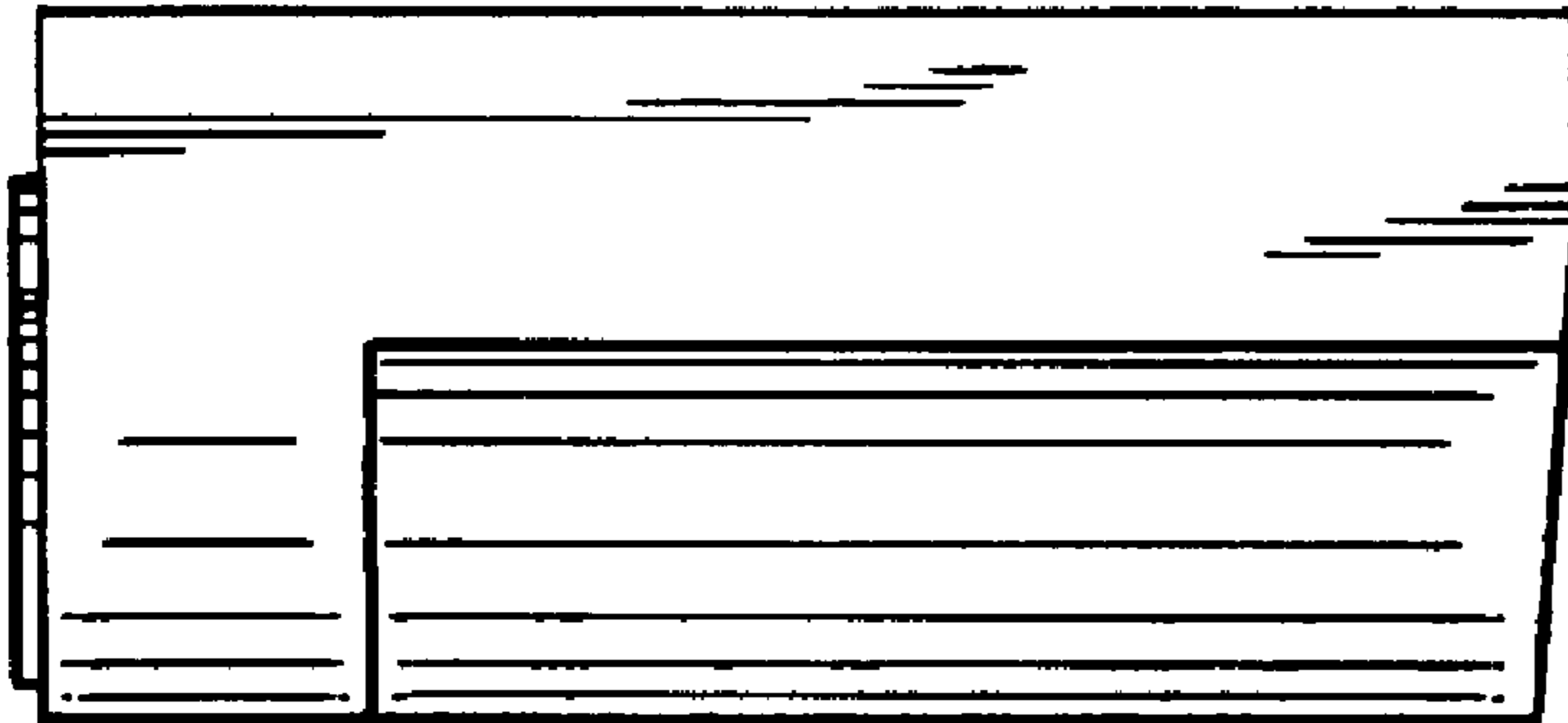


Fig. 5

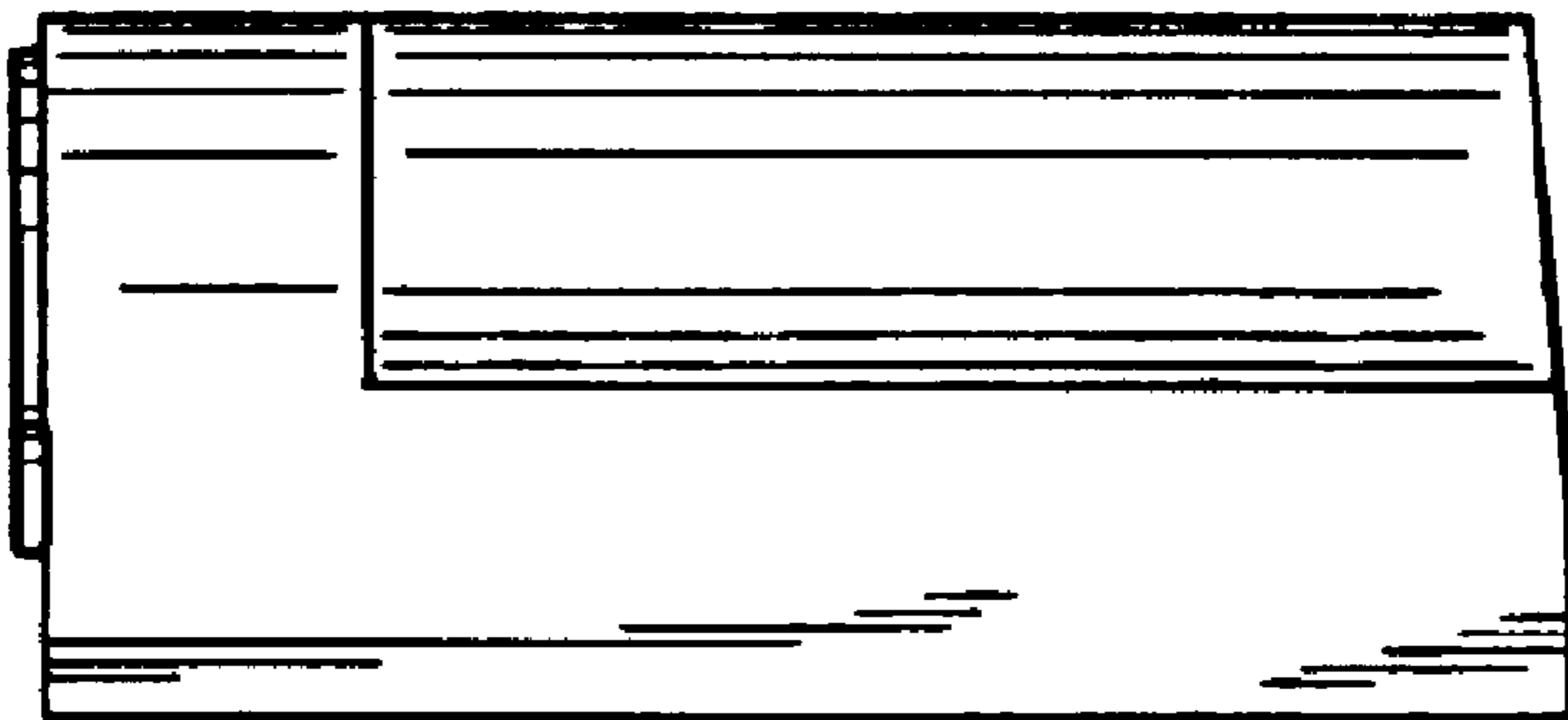


Fig. 4

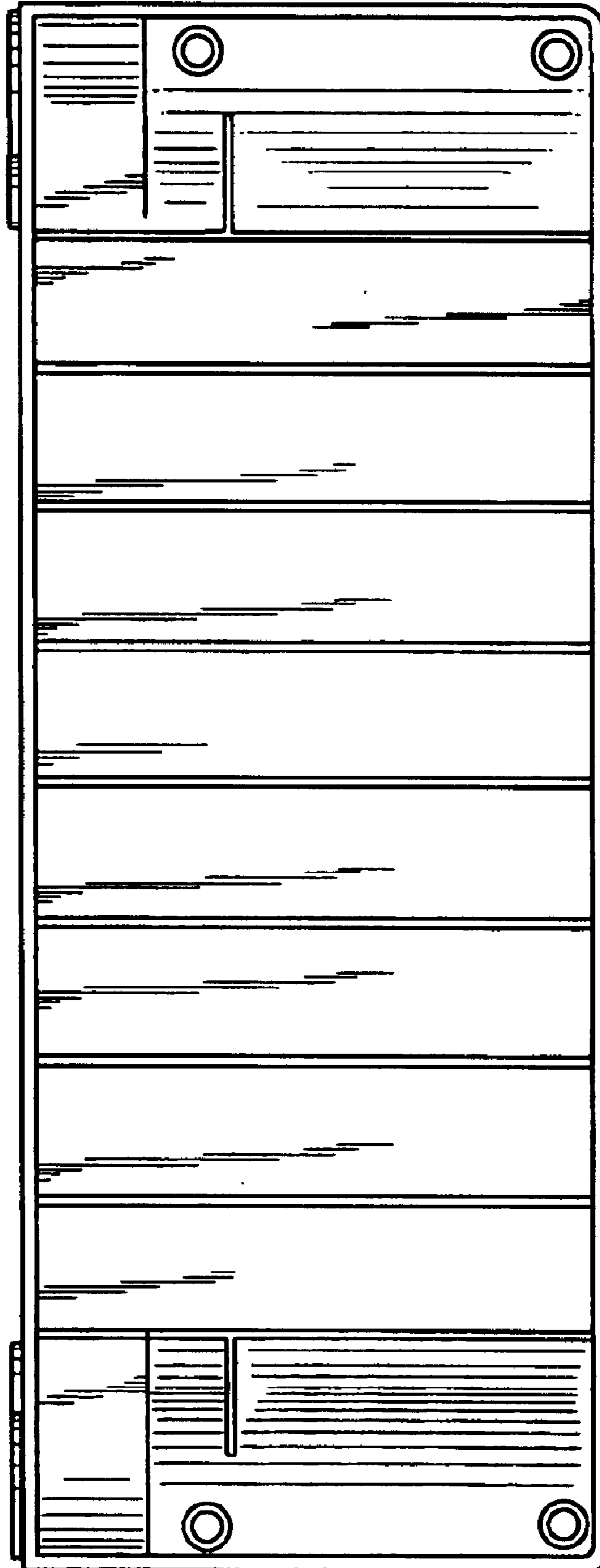


Fig. 6

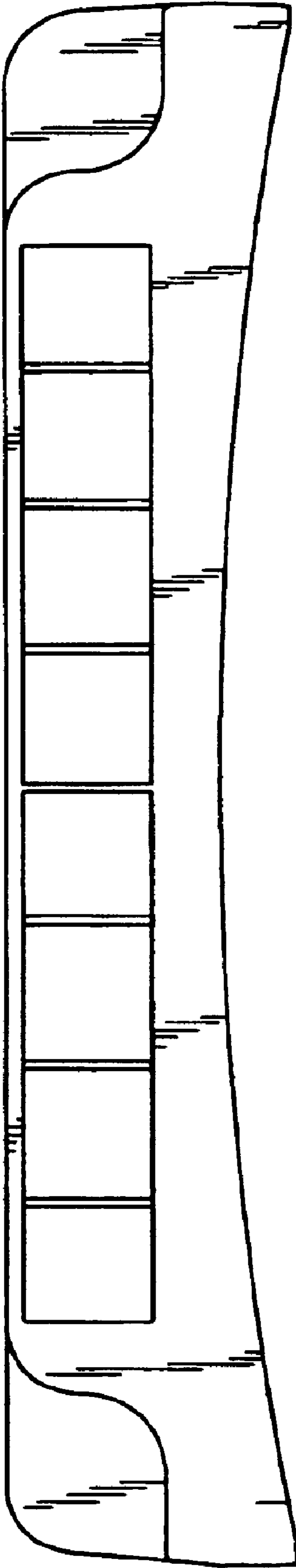


Fig. 7

UNITED STATES PATENT AND TRADEMARK OFFICE
CERTIFICATE OF CORRECTION

PATENT NO. : Des. 505,032 S
DATED : May 17, 2005
INVENTOR(S) : Peter W.A. Bergin

Page 1 of 1

It is certified that error appears in the above-identified patent and that said Letters Patent is hereby corrected as shown below:

Title page.

Item [54], Title, please delete "**BOOK AND ACCESSORY HOLDER FOR BENCH BACKS AT THE BACKS OF CHAIRS**", and replace with -- **BOOK AND ACCESSORY HOLDER FOR BENCH BACKS AND THE BACKS OF CHAIRS** --.

Signed and Sealed this

Ninth Day of August, 2005

A handwritten signature in black ink on a light gray dotted background. The signature reads "Jon W. Dudas" in a cursive style.

JON W. DUDAS

Director of the United States Patent and Trademark Office