

US00D505030S

(12) **United States Design Patent**
Heath et al.

(10) **Patent No.:** **US D505,030 S**
(45) **Date of Patent:** **** May 17, 2005**

(54) **COLLAPSIBLE PLANT STAND**
(75) Inventors: **Derek E. Heath**, 5410 E. Harbor Village Dr., Vero Beach, FL (US) 32967; **Steve Treadway**, Johnson City, TN (US)

(73) Assignee: **Derek E. Heath**, Vero Beach, FL (US)

(**) Term: **14 Years**

(21) Appl. No.: **29/197,491**

(22) Filed: **Jan. 15, 2004**

(51) **LOC (7) Cl.** **06-04**

(52) **U.S. Cl.** **D6/403**

(58) **Field of Search** D6/403-405, 368, D6/556; D11/143, 144; 248/27.8, 163.1, 164-166, 175; 47/39, 40, 65.5, 66.6; 206/423; 211/85.23, 85.31, 130.1, 181.1, 200; 297/16.1, 16.2, 45; 16/18 R, 45

(56) **References Cited**

U.S. PATENT DOCUMENTS

244,215 A	7/1881	Fenby	
413,745 A	10/1889	Westphal	
914,606 A	3/1909	Sabo	
927,738 A	7/1909	Malaby	
1,027,692 A	5/1912	Cole	
1,104,236 A	7/1914	Wright	
1,146,488 A	* 7/1915	Finkelstein	248/175
1,308,268 A	7/1919	Hormel et al.	
1,859,871 A	* 5/1932	Harlan	248/175
2,483,263 A	9/1949	Cummings	
3,635,520 A	1/1972	Roher et al.	
3,964,124 A	* 6/1976	Crawford	16/18 R

4,186,454 A	2/1980	Cone	
RE31,641 E	8/1984	Derus	
4,899,487 A	* 2/1990	Brownlee	47/41.01
5,095,649 A	* 3/1992	Brownlee	47/41.01
D351,072 S	* 10/1994	Emalfarb et al.	D6/405
6,149,238 A	* 11/2000	Tsai	297/45
6,158,361 A	12/2000	Zheng et al.	
6,322,138 B1	* 11/2001	Tang	297/45
6,499,705 B1	12/2002	Tsai	
6,752,414 B1	* 6/2004	Waldron et al.	297/16.2
2004/0051009 A1	* 3/2004	Chen	248/163.1
2004/0084581 A1	* 5/2004	Chang	248/166

* cited by examiner

Primary Examiner—Mimosa De

(74) *Attorney, Agent, or Firm*—Alston & Bird LLP

(57) **CLAIM**

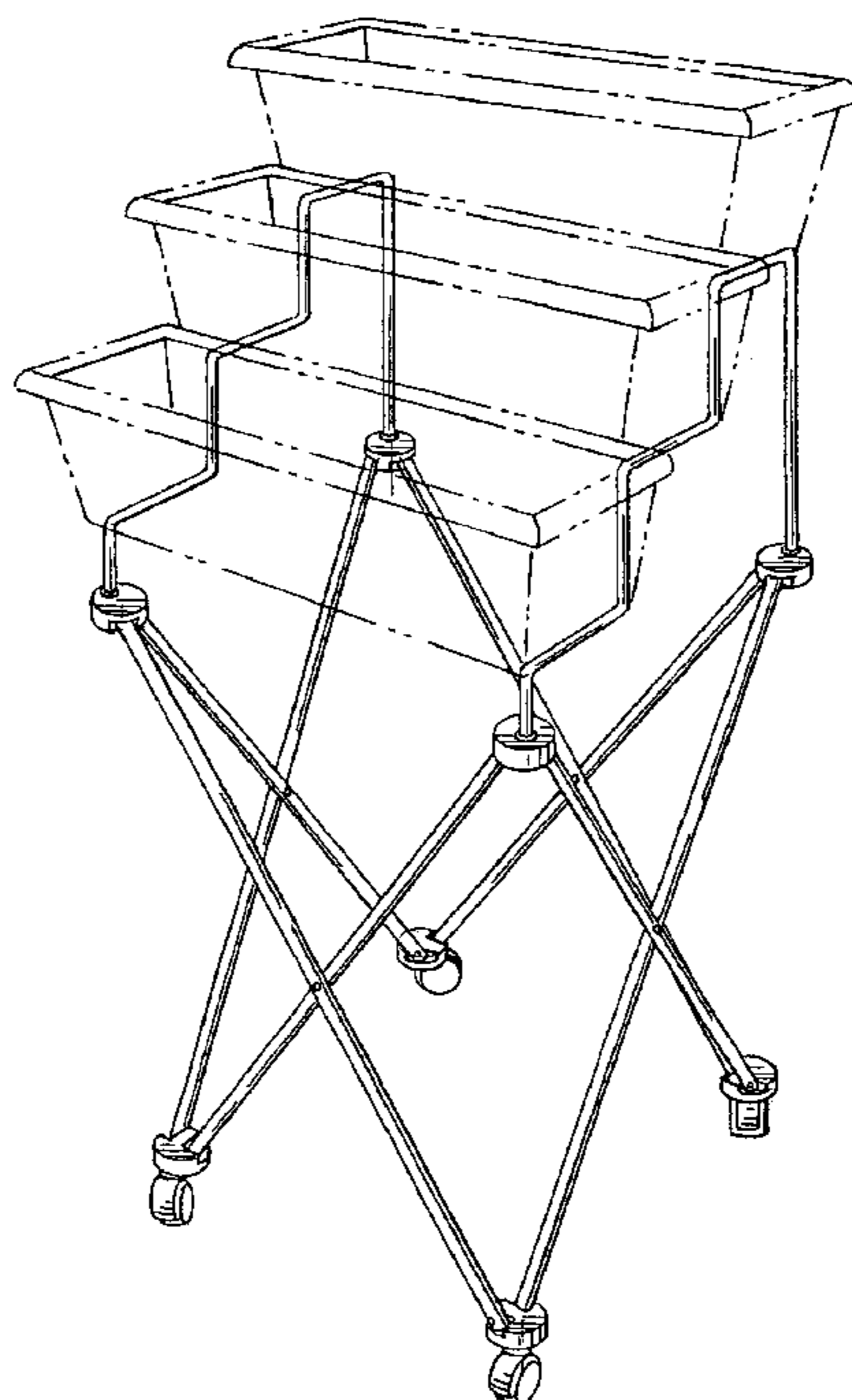
The ornamental design for a collapsible plant stand, as shown and described.

DESCRIPTION

FIG. 1 is a perspective view of a first embodiment of a collapsible plant stand which embodies the present invention and looking toward one front corner of the stand; FIG. 2 is a perspective view of the collapsible plant stand shown in FIG. 1 and looking toward the other front corner of the stand; and, FIG. 3 is a perspective view similar to FIG. 2 but illustrating a second embodiment of the collapsible plant stand of the present invention.

The broken lines shown in FIG. 1 of the drawings illustrate plant containers which may be used in association with the collapsible plant stand but which are shown for illustrative purposes only and form no part of the claimed design.

1 Claim, 3 Drawing Sheets



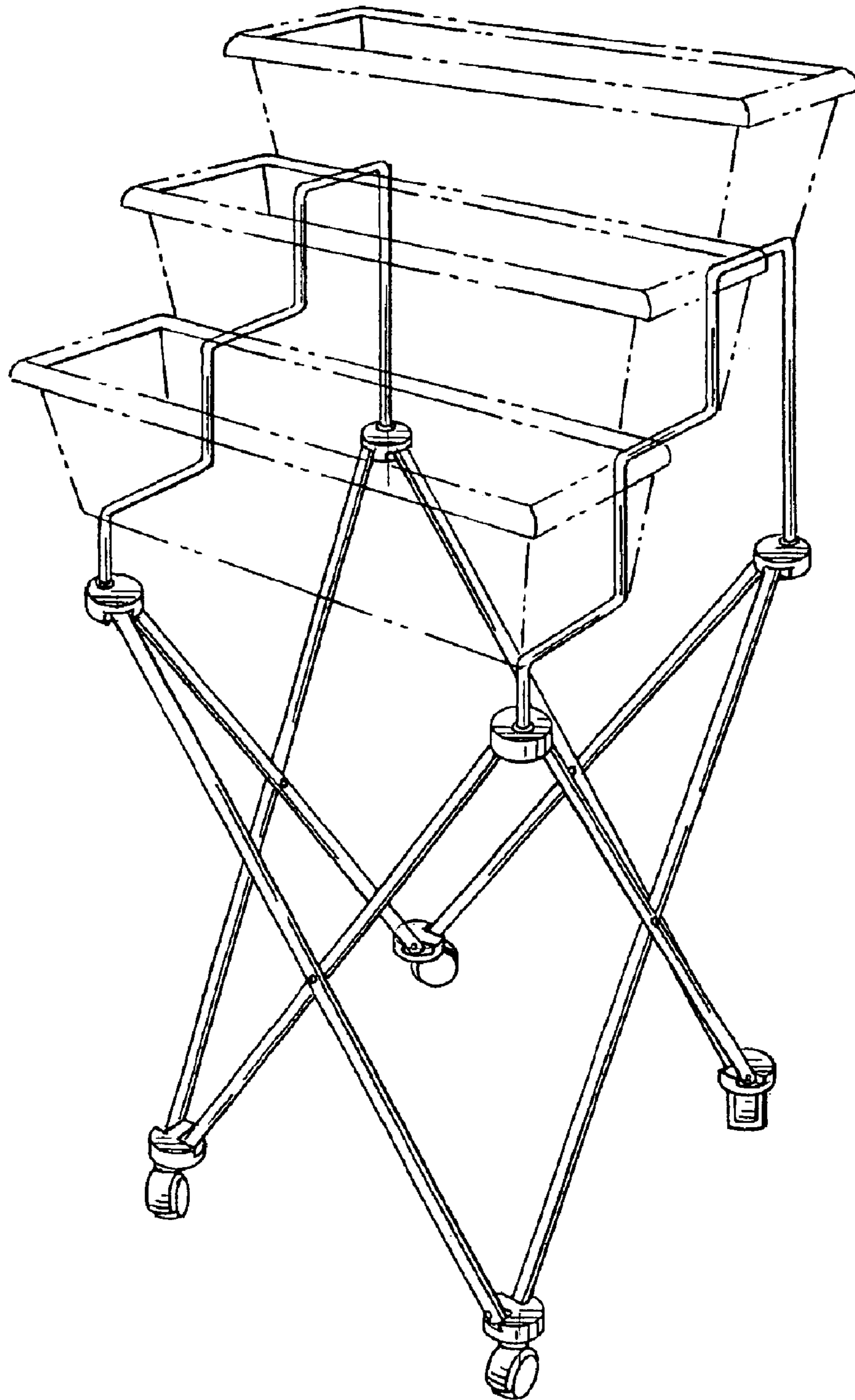


FIG. 1.

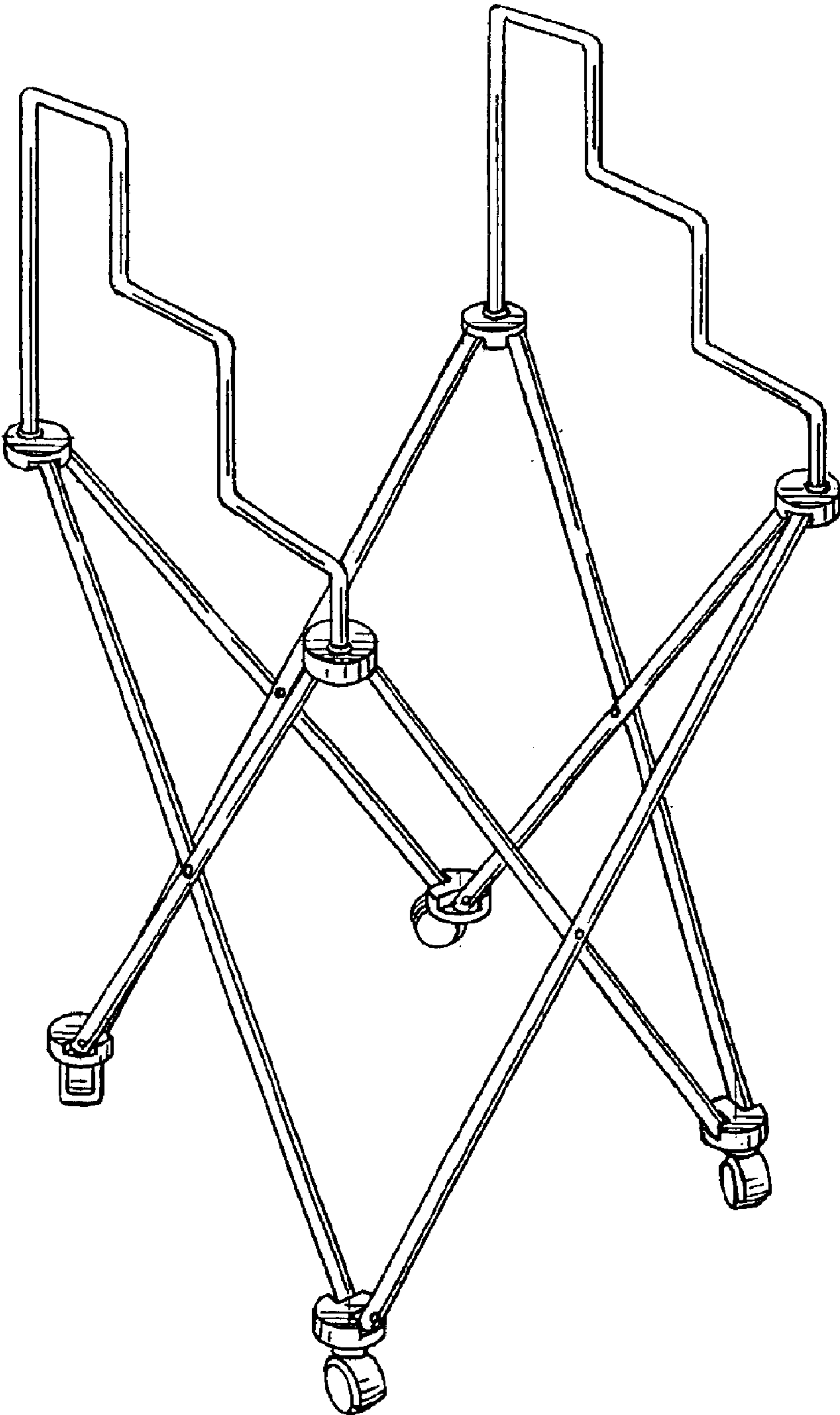


FIG. 2.

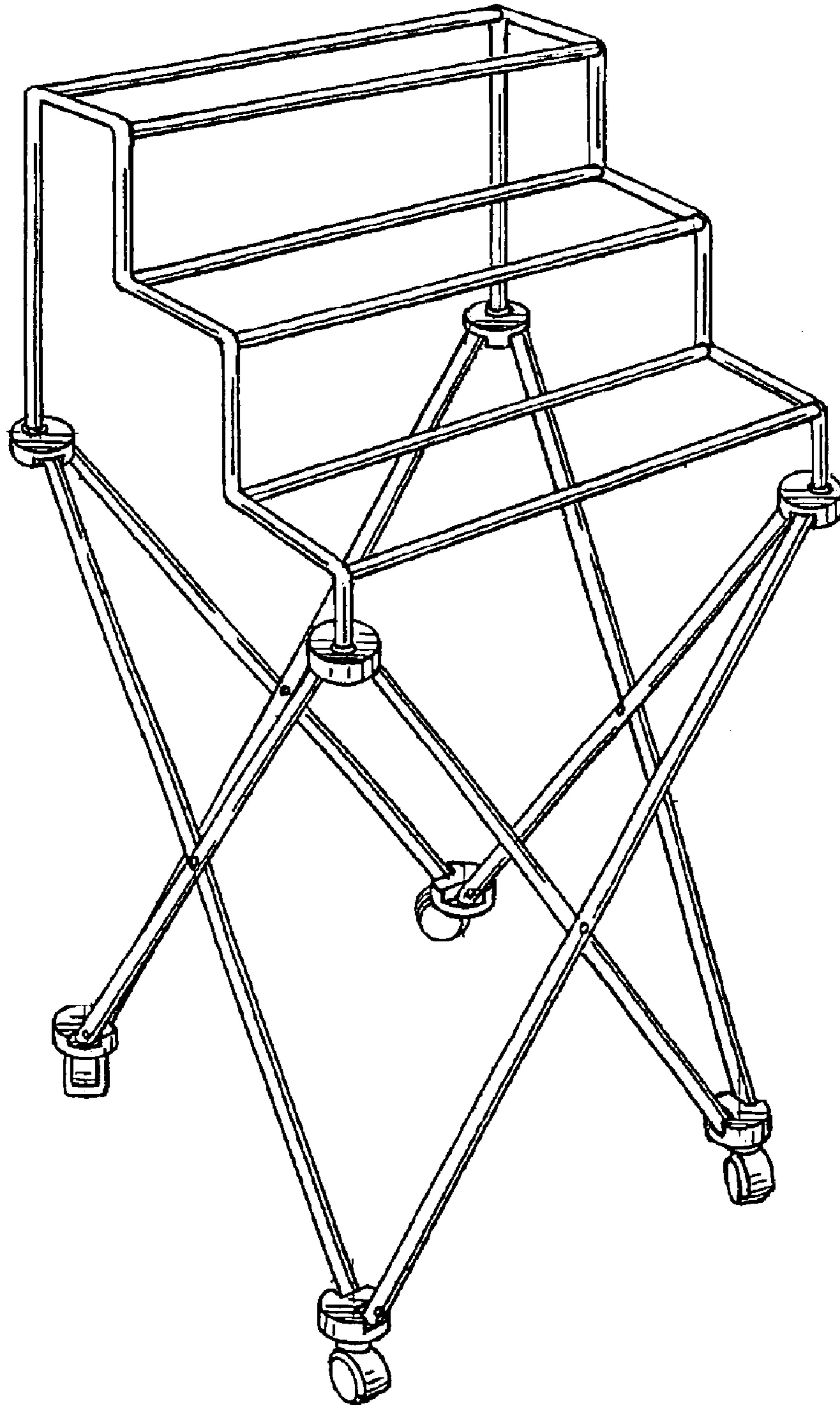


FIG. 3.