

US00D505029S

(12) **United States Design Patent** (10) **Patent No.:** **US D505,029 S**
Risdon et al. (45) **Date of Patent:** **** May 17, 2005**

(54) **BED**

(75) Inventors: **Scott M. Risdon**, Greensboro, NC (US); **Timothy M. O'Hare**, Oak Ridge, NC (US)

(73) Assignee: **LADD Furniture, Inc.**

(**) Term: **14 Years**

(21) Appl. No.: **29/178,948**

(22) Filed: **Mar. 2, 2003**

(51) **LOC (7) Cl.** **06-01**

(52) **U.S. Cl.** **D6/393**

(58) **Field of Search** D6/382-395, 505-508;
5/53.1, 279.1, 280, 281, 907

(56) **References Cited**

U.S. PATENT DOCUMENTS

D96,379 S	*	7/1935	Freedman	D6/361
D412,795 S	*	8/1999	Bargagli-Stoffi	D6/393
D443,998 S	*	6/2001	Leon et al.	D6/393
D455,909 S	*	4/2002	Wistehuff, Sr.	D6/393
D486,667 S	*	2/2004	Stanton	D6/393

OTHER PUBLICATIONS

Thomasville River Roads, c1997/98, p. 5, bed at top.*

* cited by examiner

Primary Examiner—Janice E. Seeger

(74) *Attorney, Agent, or Firm*—Harness, Dickey & Pierce, P.L.C.

(57) **CLAIM**

The ornamental design for the bed, as shown and described.

DESCRIPTION

FIG. 1 is a perspective view of a bed in accordance with the present invention in which only a portion of the surface treatment is illustrated, it being understood that the surface treatment covers the entire indicated area;

FIG. 2 is a front view of the bed of FIG. 1 without the surface treatment being illustrated;

FIG. 3 is a top view of the bed of FIG. 1 without the surface treatment being illustrated, the bottom view and back view of the bed are not illustrated as they form no part of the present invention;

FIG. 4 is a right side view of the bed of FIG. 1 without the surface treatment being illustrated, the left side view being a mirror image thereof;

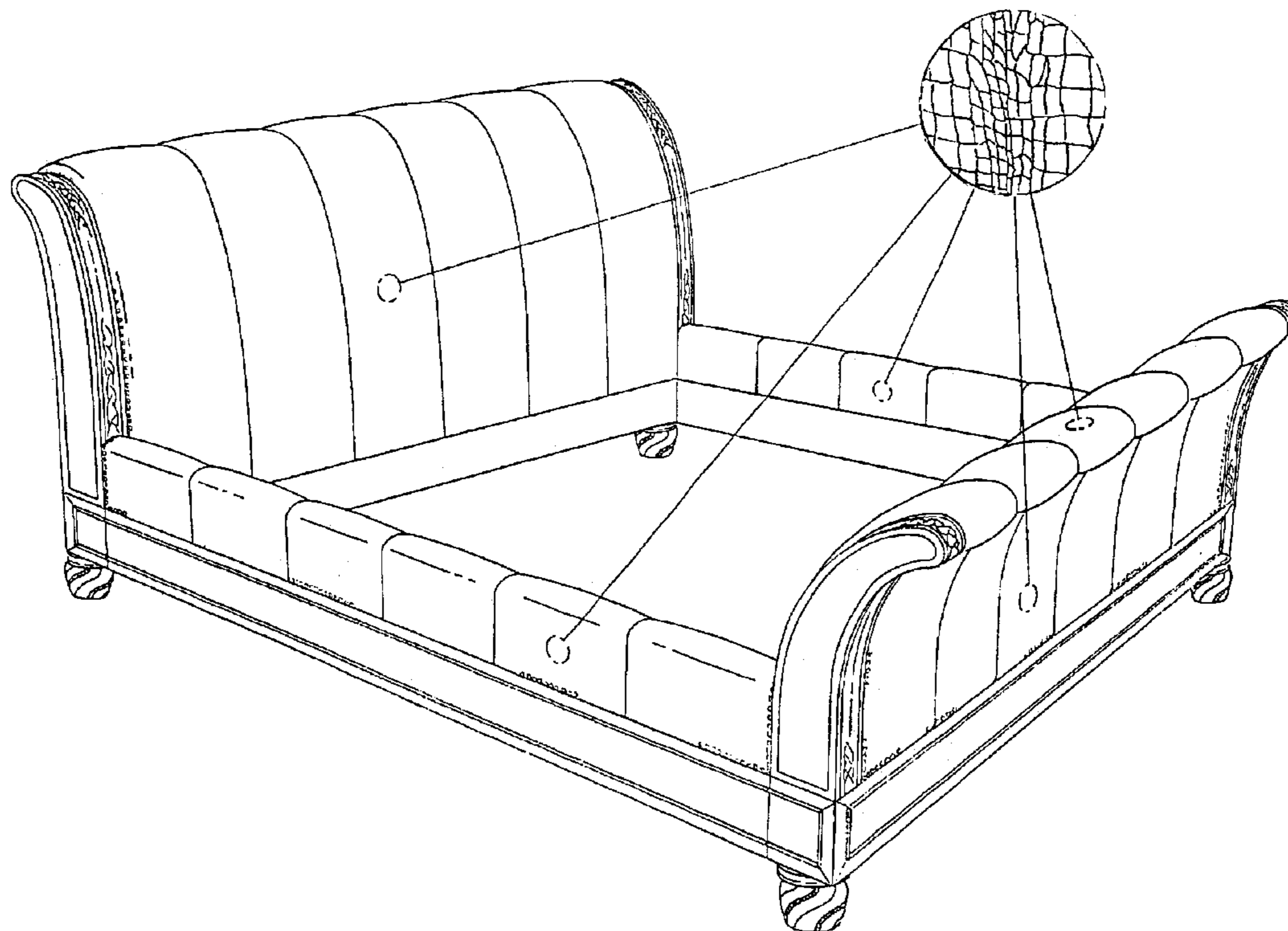
FIG. 5 is a perspective view of a second embodiment of the bed in accordance with the present invention;

FIG. 6 is a front view of the second embodiment of the bed, the back of the second embodiment of the bed is not illustrated as it forms no part of the present invention;

FIG. 7 is a top view of the second embodiment of the bed, the bottom of the second embodiment of the bed is not illustrated as it forms no part of the present invention; and,

FIG. 8 is a right side view of the second embodiment of the bed, the left side view being a mirror image thereof.

1 Claim, 8 Drawing Sheets



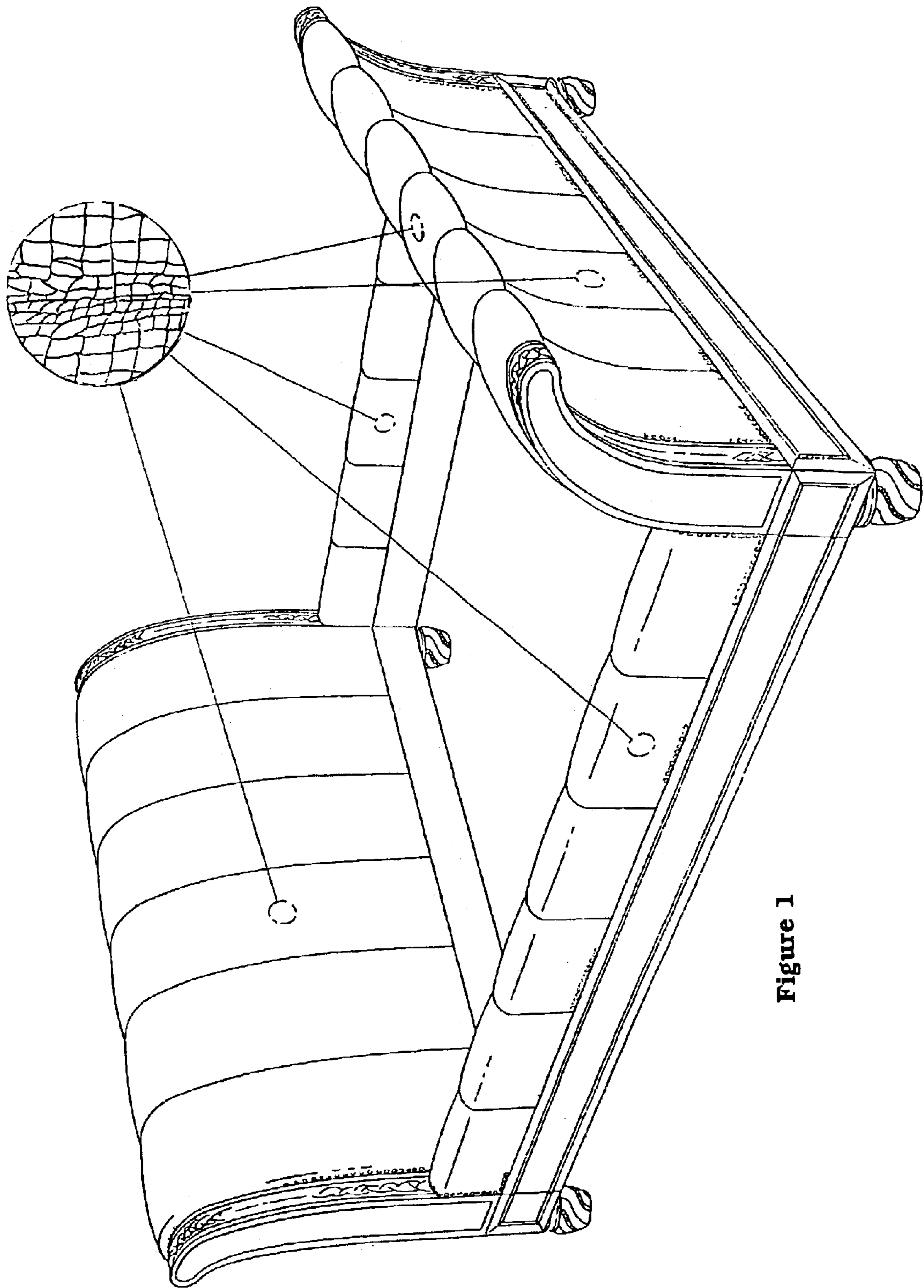


Figure 1

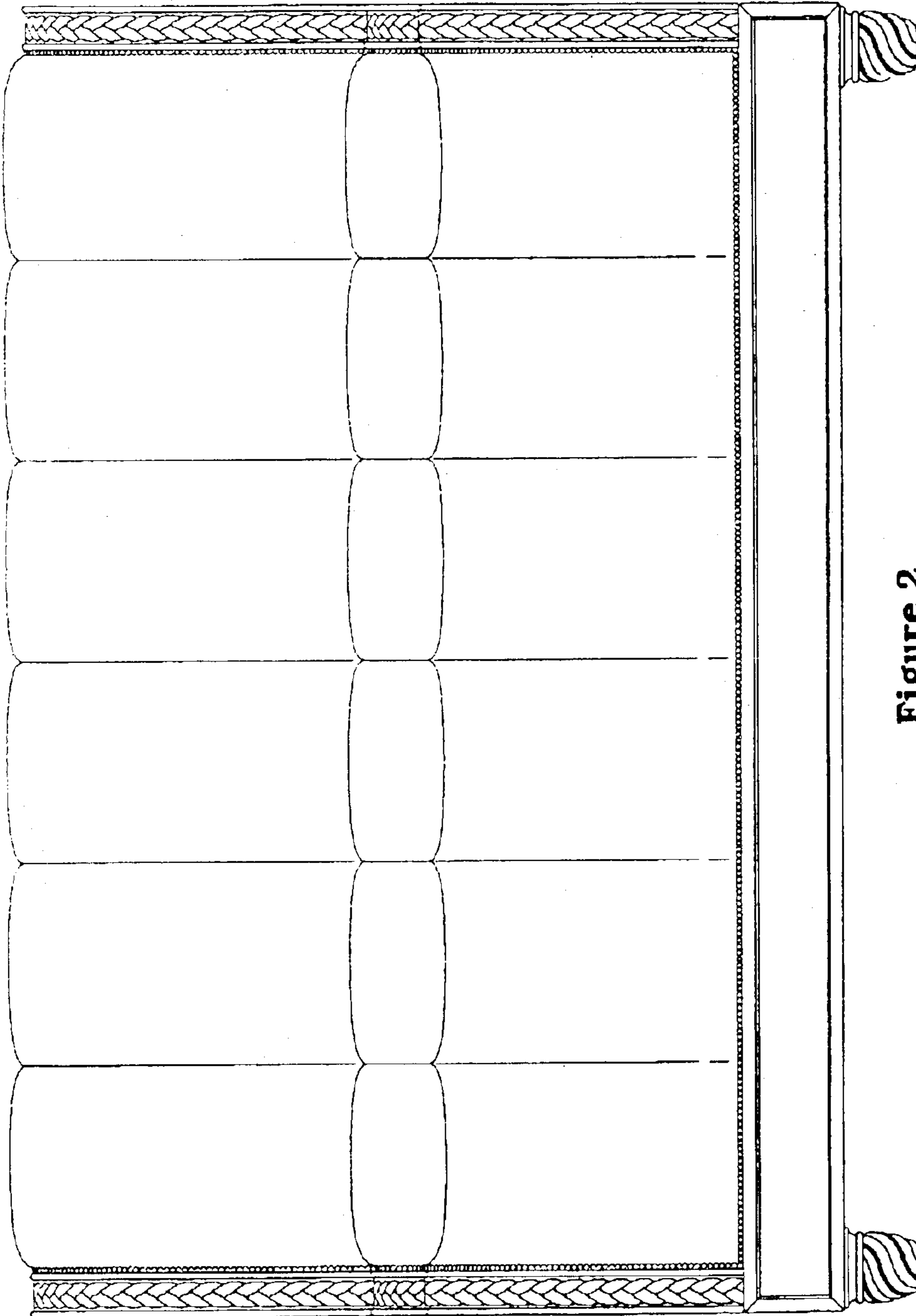


Figure 2

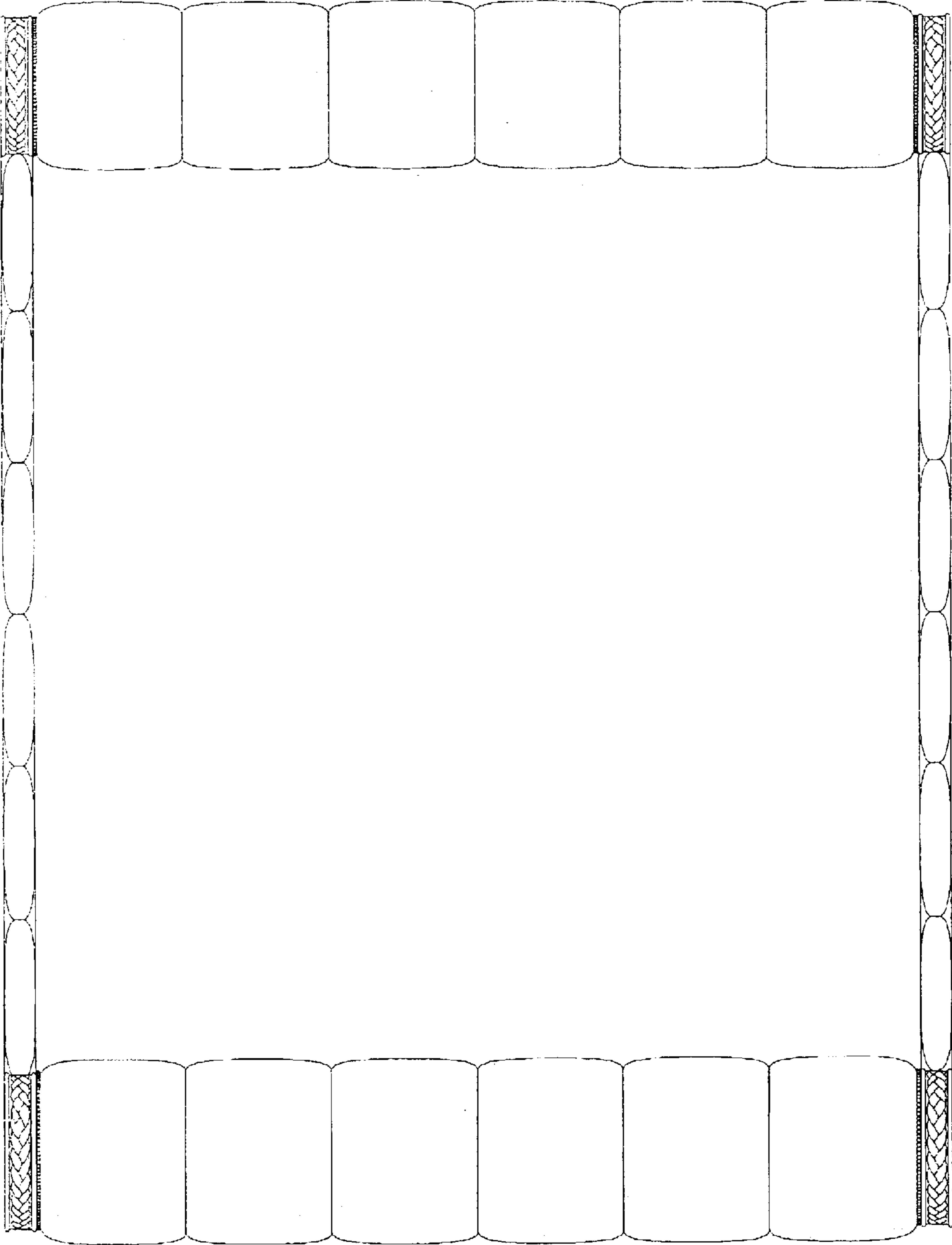


Figure 3

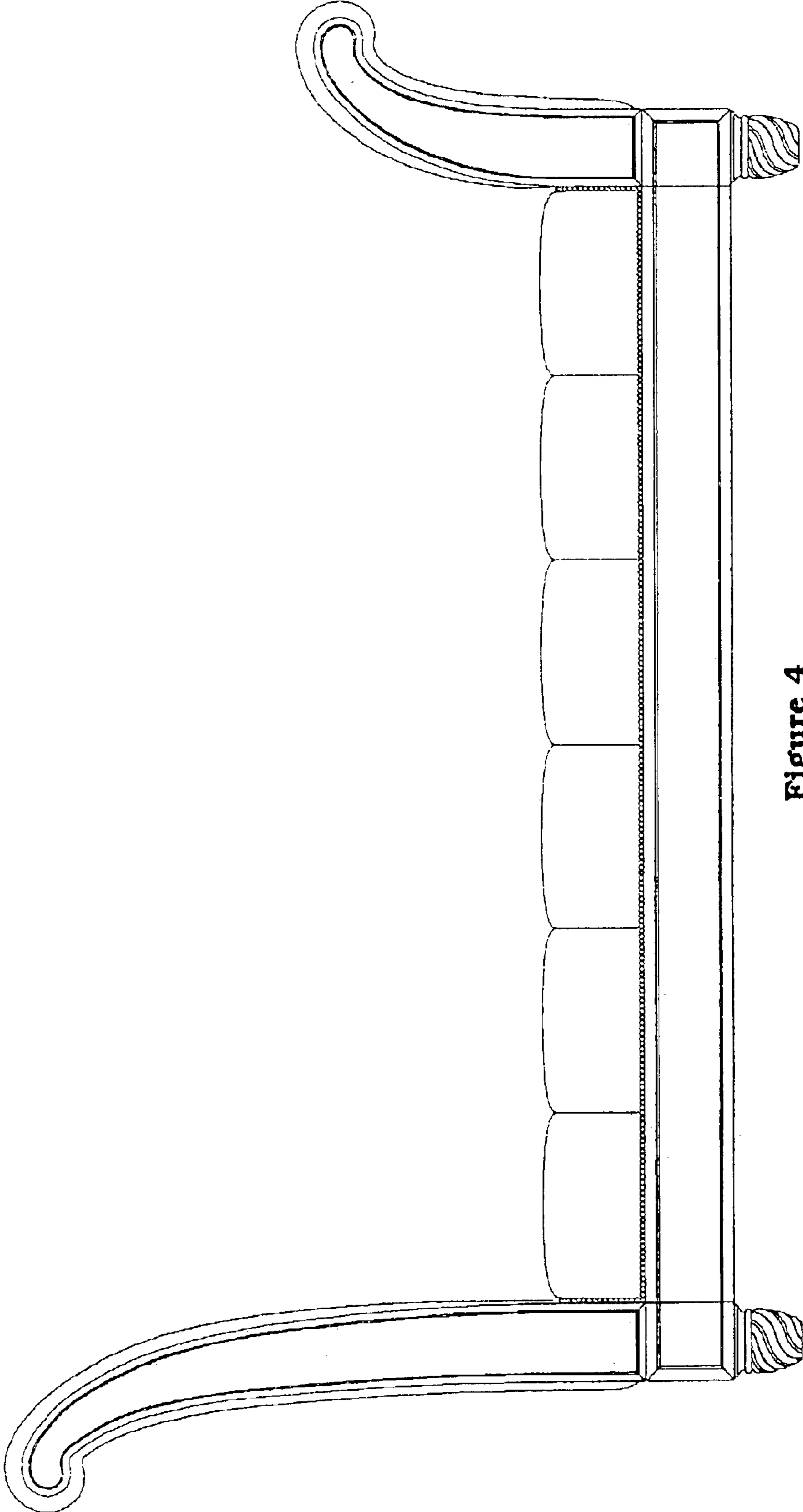


Figure 4

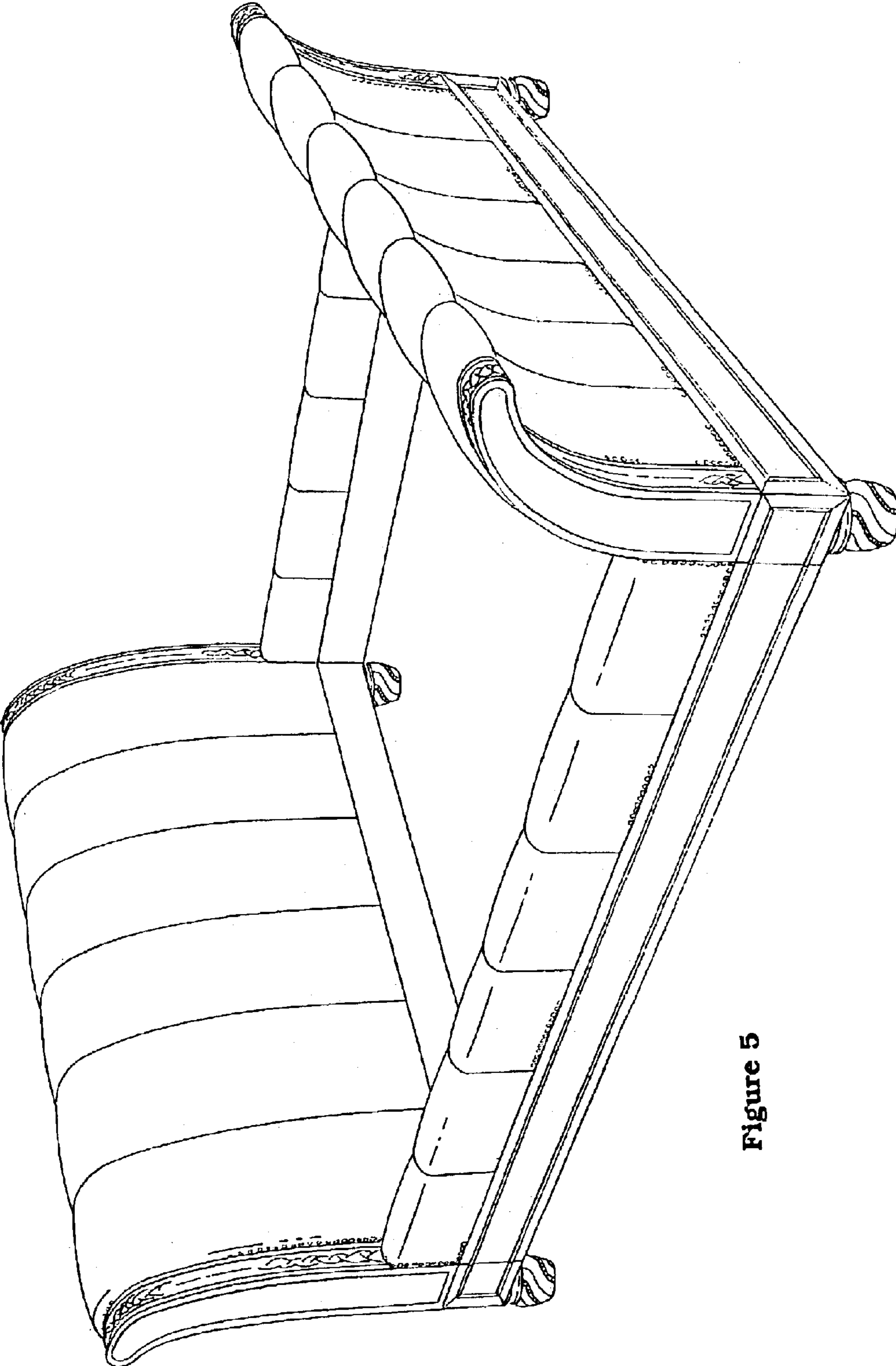


Figure 5

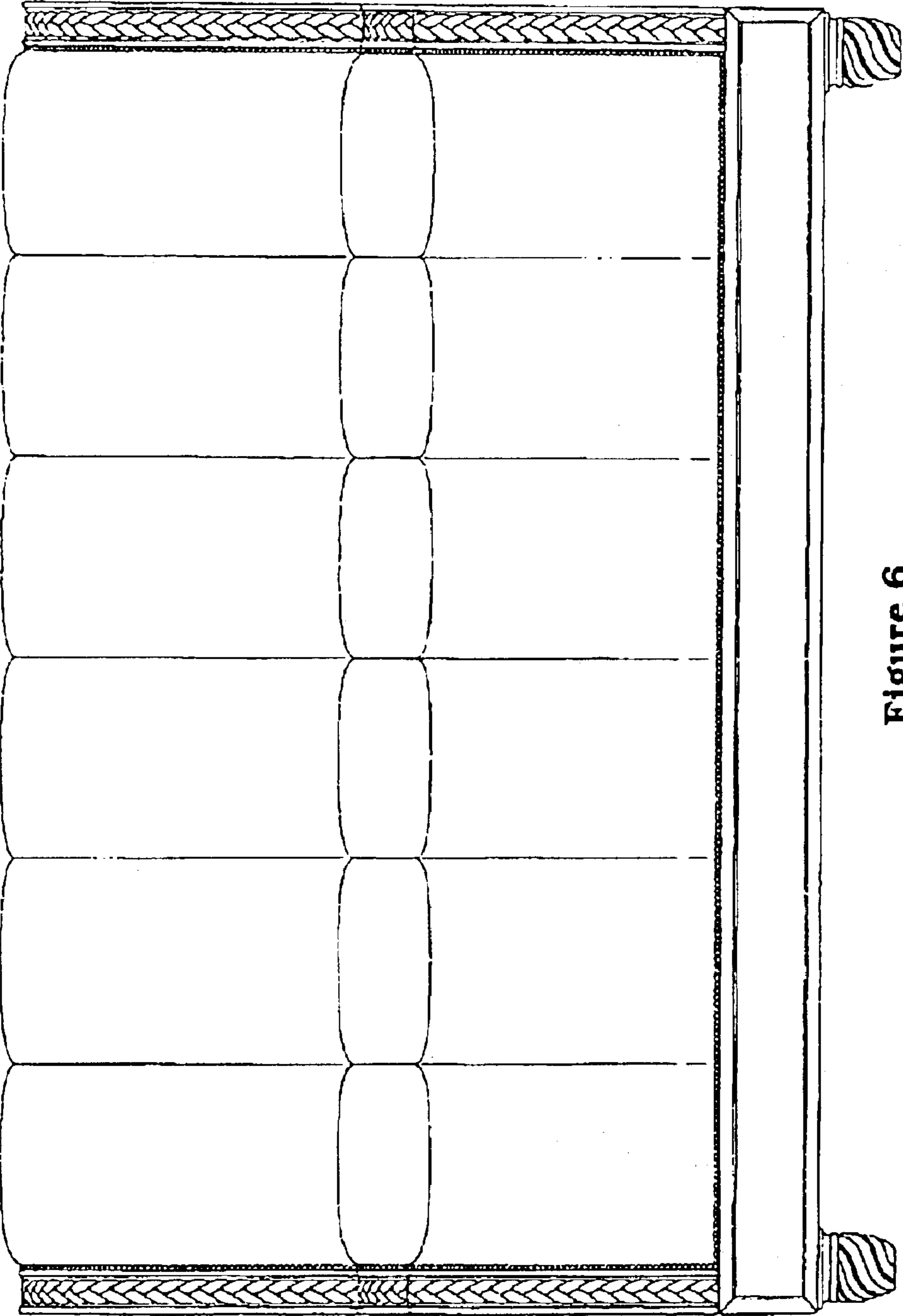


Figure 6

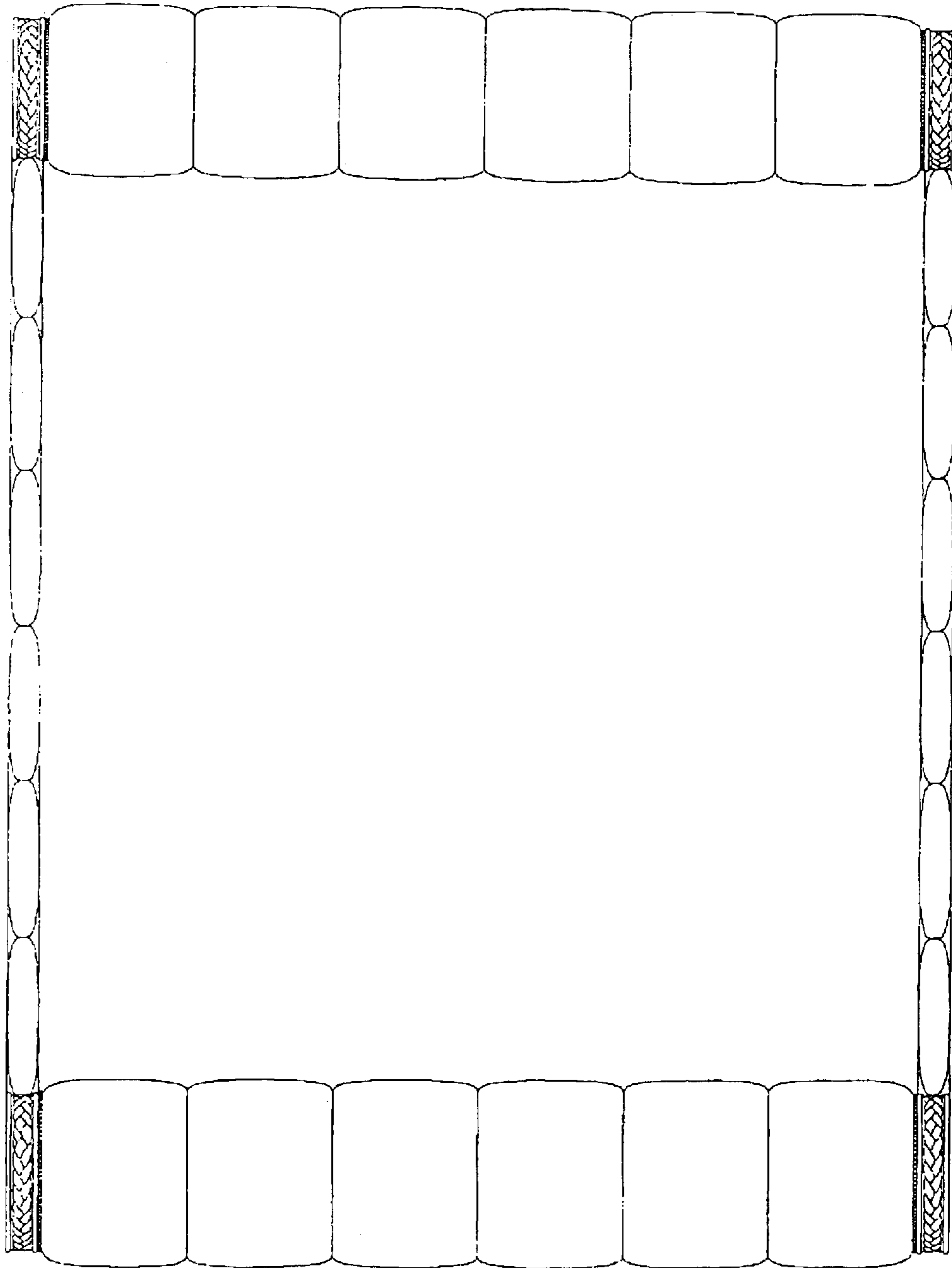


Figure 7

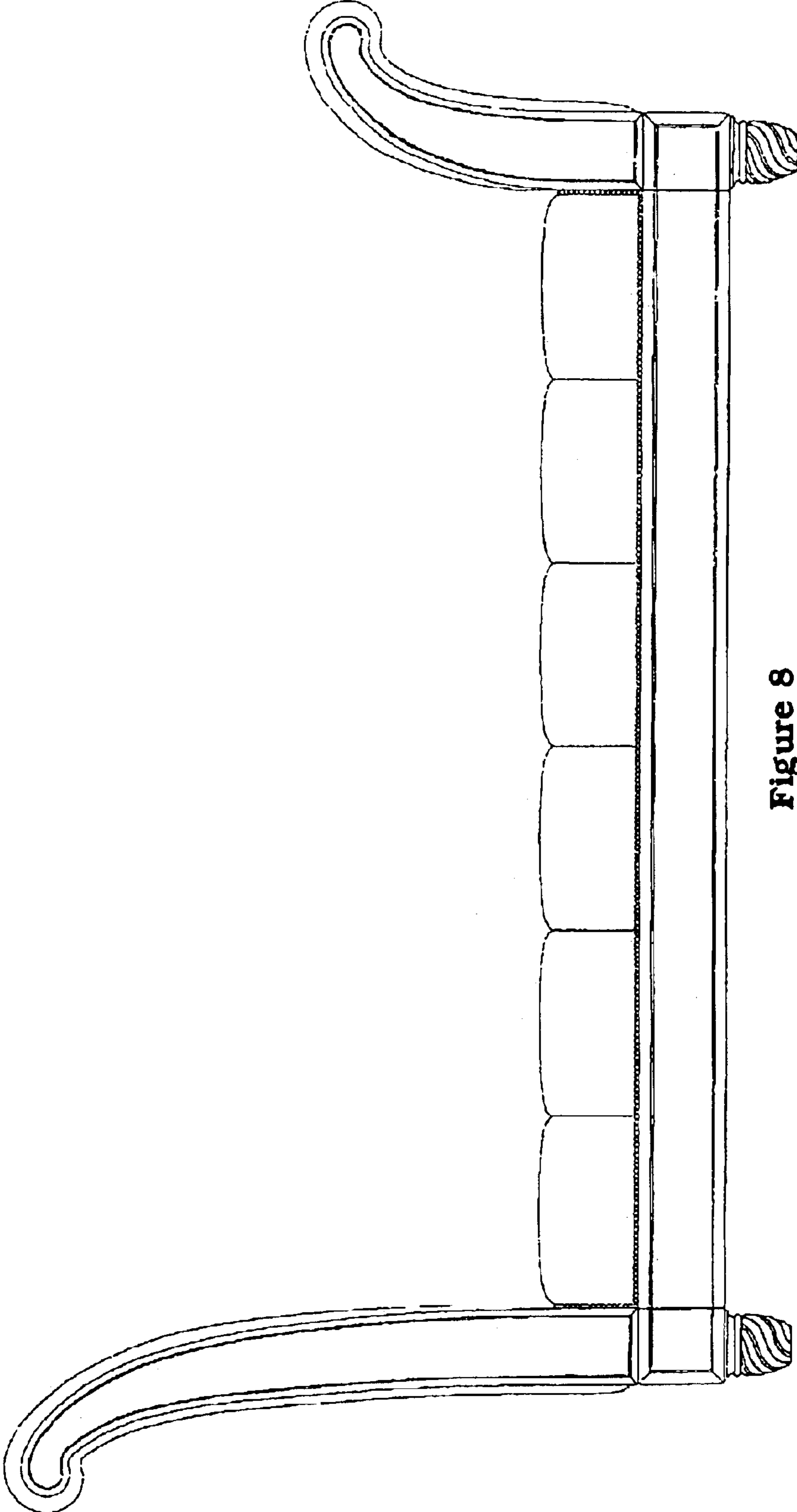


Figure 8