

US00D505025S

(12) **United States Design Patent**
Santamaria

(10) **Patent No.:** **US D505,025 S**

(45) **Date of Patent:** **** May 17, 2005**

(54) **INFANT SEAT**

(75) **Inventor:** **Manuel Jane Santamaria**, Palau de Plegamans (ES)

(73) **Assignee:** **Jane, S.A.**, Barcelona (ES)

(**) **Term:** **14 Years**

(21) **Appl. No.:** **29/210,304**

(22) **Filed:** **Jul. 29, 2004**

(30) **Foreign Application Priority Data**

Feb. 17, 2004 (EM) 135074

(51) **LOC (7) Cl.** **06-01**

(52) **U.S. Cl.** **D6/368**

(58) **Field of Search** D6/334-336, 368, D6/374, 376, 379, 380, 500-502; 297/16.1, 40, 41, 48, 49, 55, 58, 59, 183.7, 452.1

(56) **References Cited**

U.S. PATENT DOCUMENTS

D140,672 S * 3/1945 Platt D6/368

D238,021 S * 12/1975 Minsker D6/368
4,202,581 A * 5/1980 Fleishman D6/368
4,298,227 A * 11/1981 Berthier et al. 297/58
D283,566 S * 4/1986 Cronsioe D6/368

* cited by examiner

Primary Examiner—Mimosa De

(74) *Attorney, Agent, or Firm*—Merchant & Gould P.C.

(57) **CLAIM**

The ornamental design for infant seat, as shown and described.

DESCRIPTION

FIG. 1 is a front elevational view of an infant seat in accordance with my invention thereof thereof;
FIG. 2 is a rear elevational view thereof;
FIG. 3 is a top elevational view thereof;
FIG. 4 is a bottom elevational view thereof;
FIG. 5 is a left side elevational view thereof;
FIG. 6 is a right side elevational view thereof; and,
FIG. 7 is a reduced perspective view of a infant seat.

1 Claim, 7 Drawing Sheets

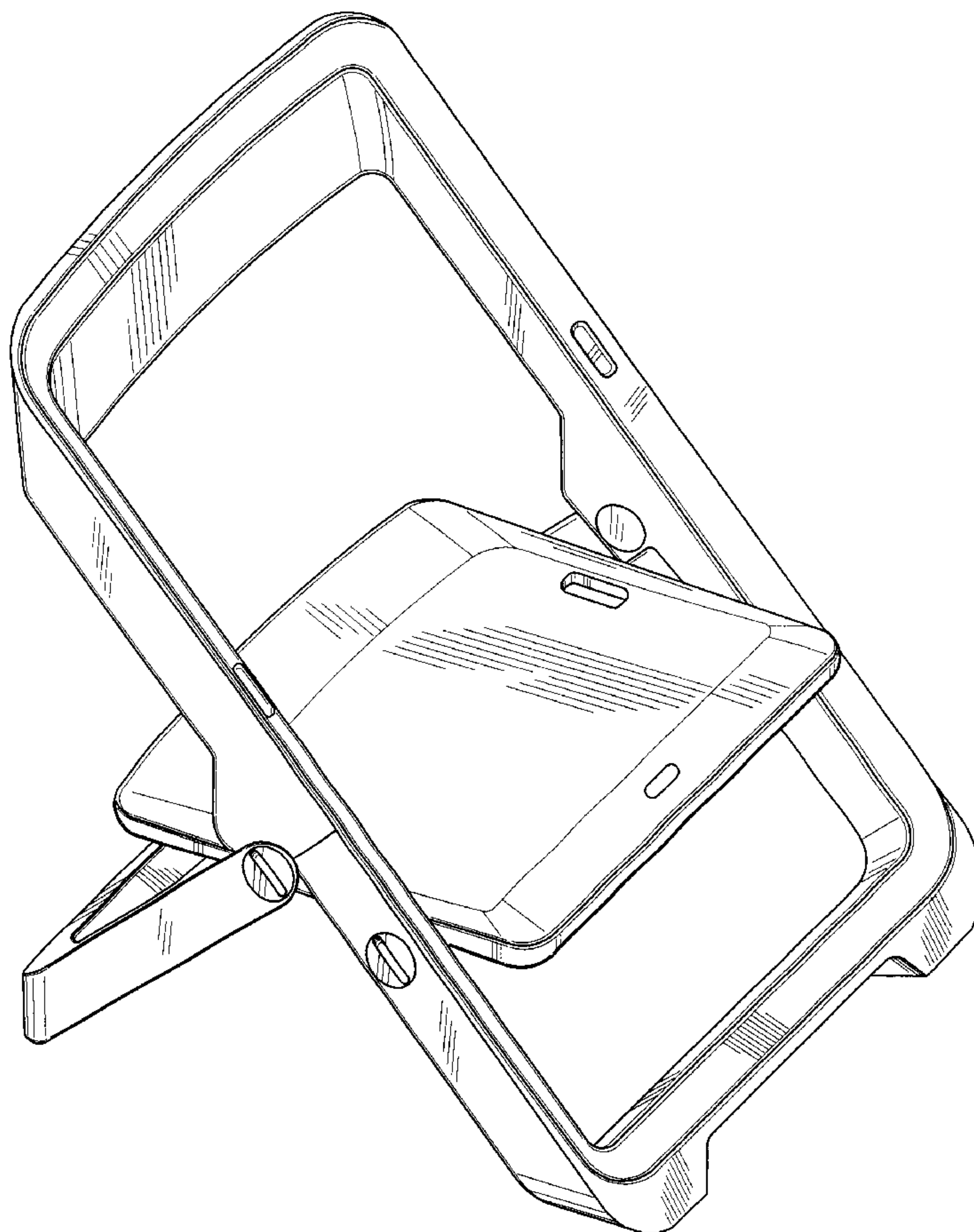


FIG. 1

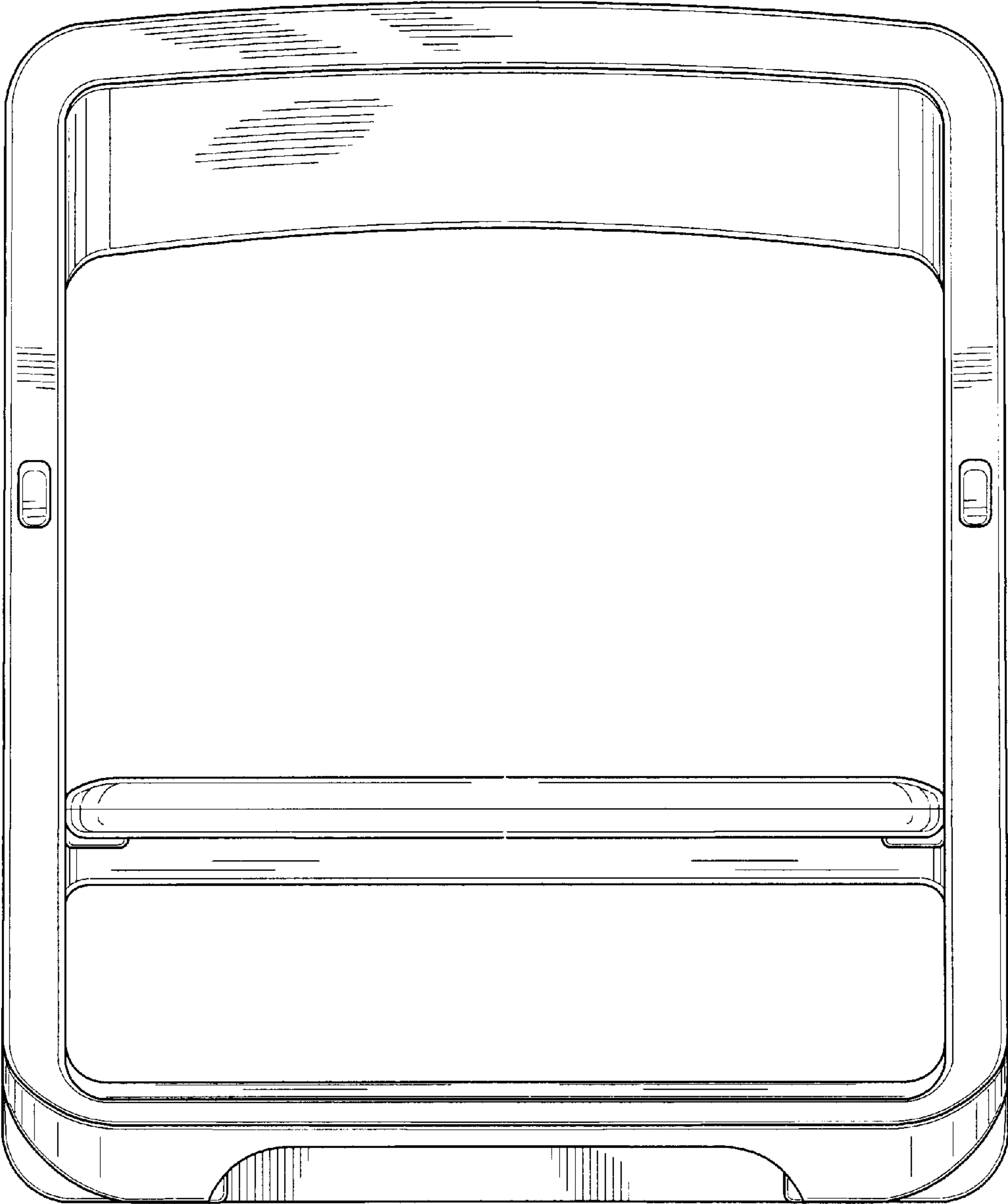


FIG. 2

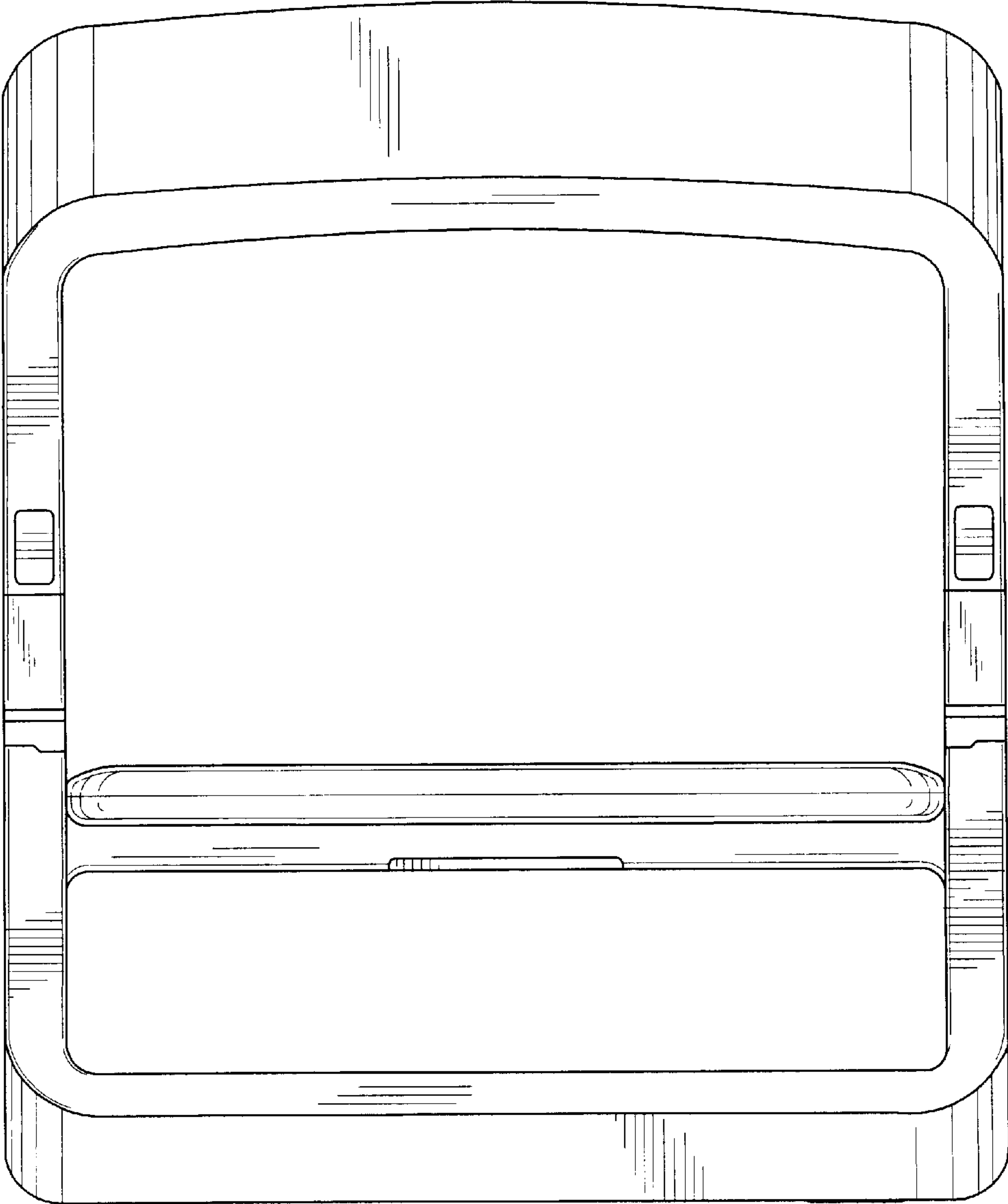


FIG. 3

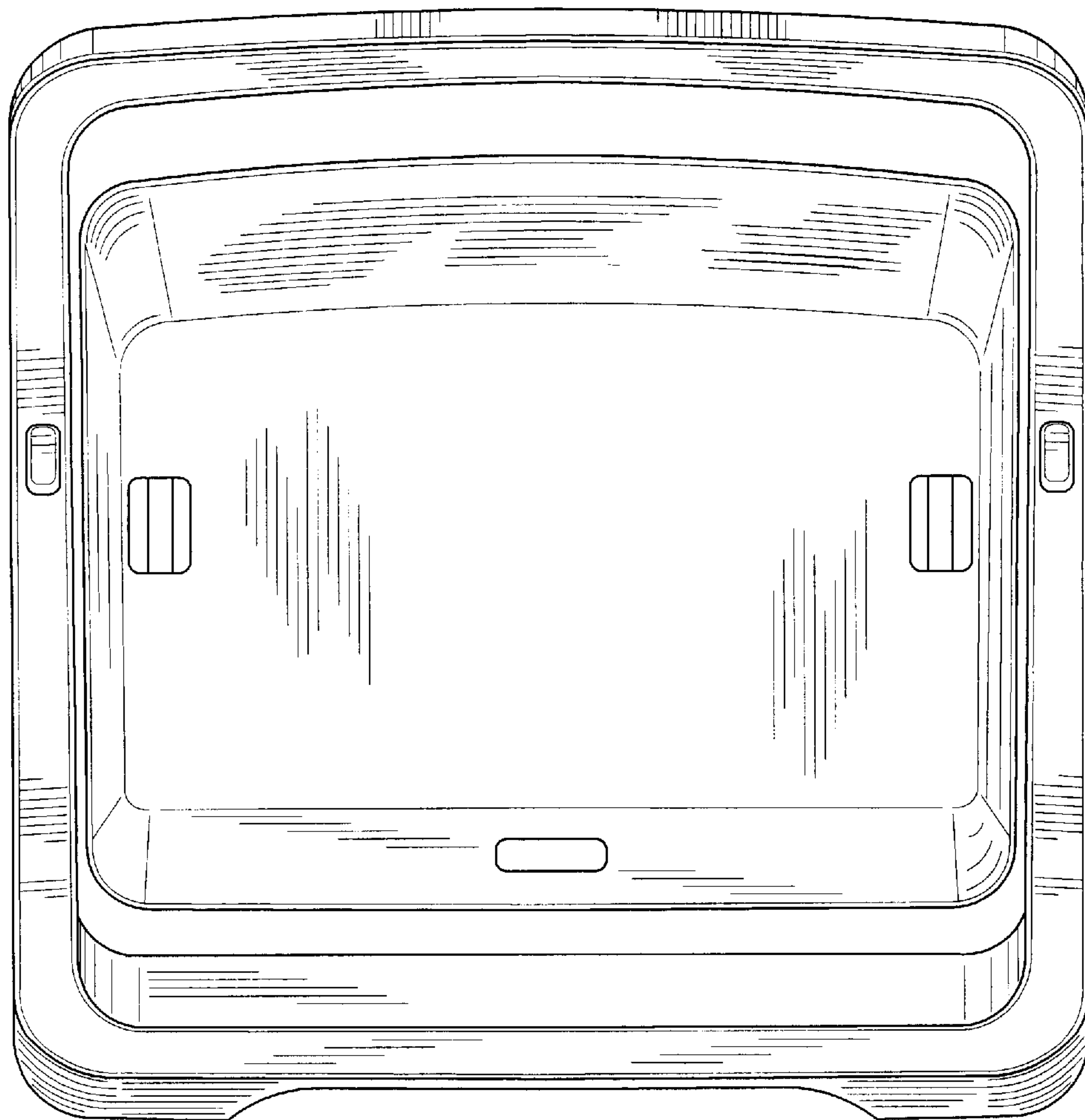


FIG. 4

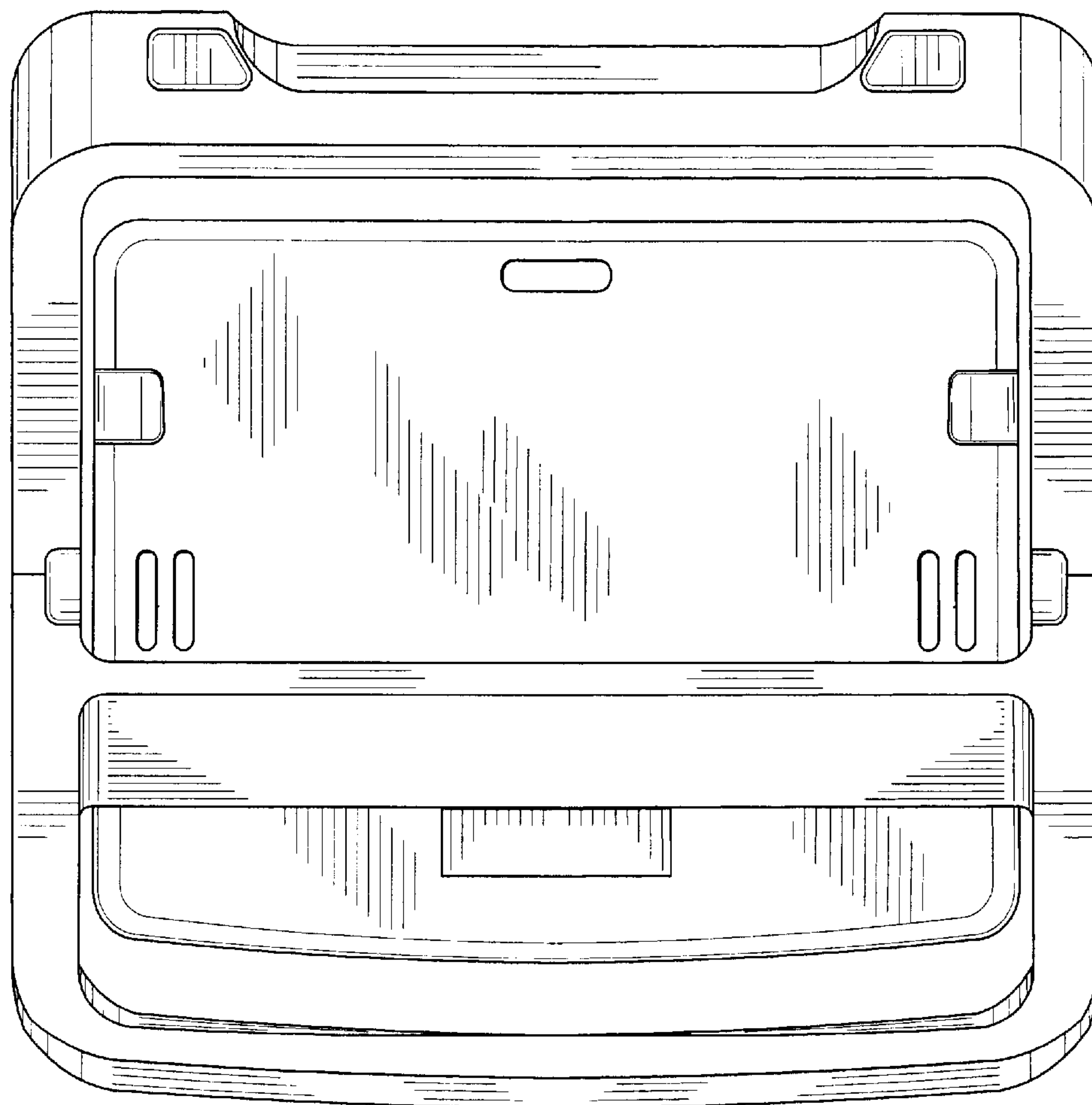


FIG. 5

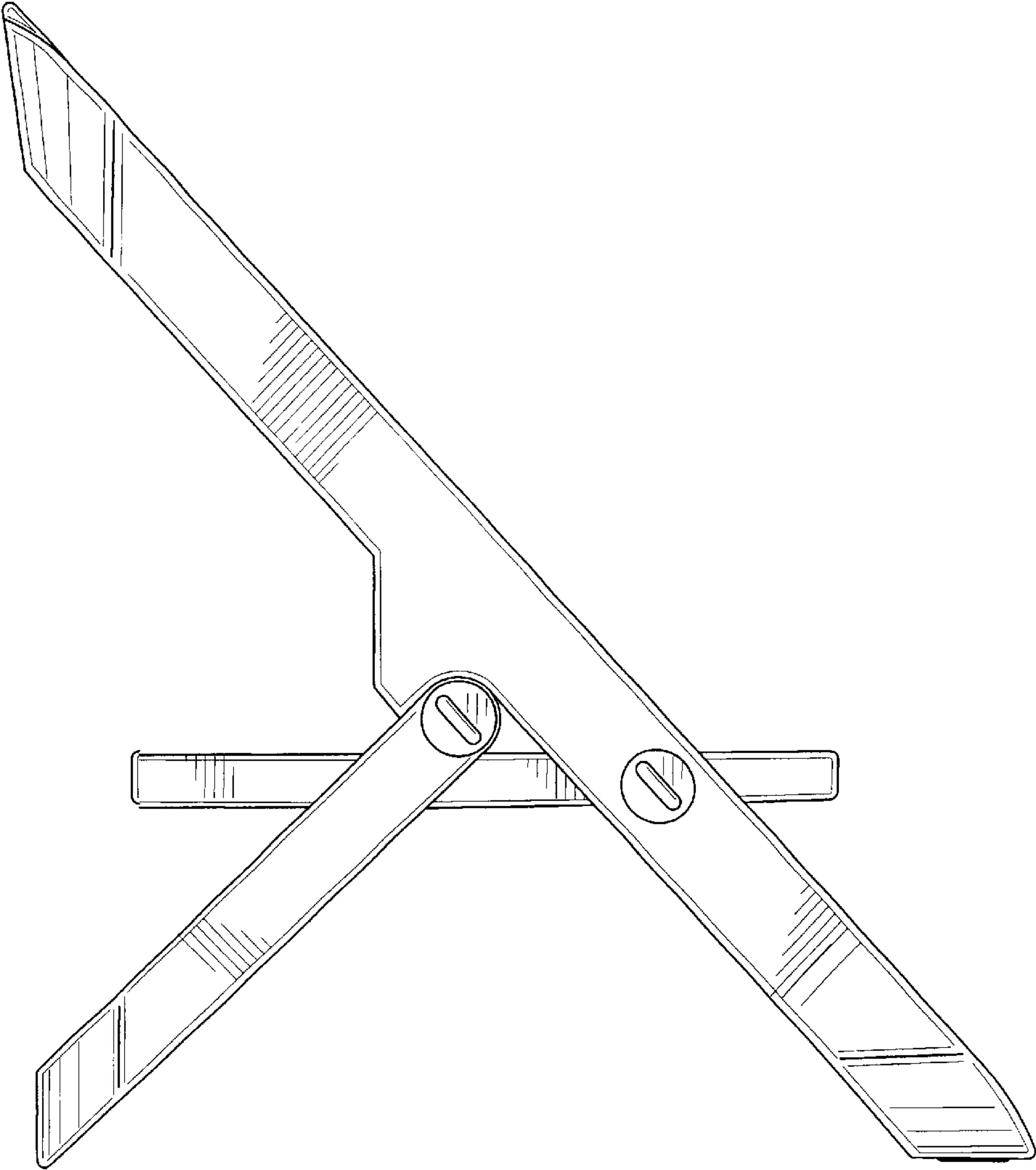


FIG. 6

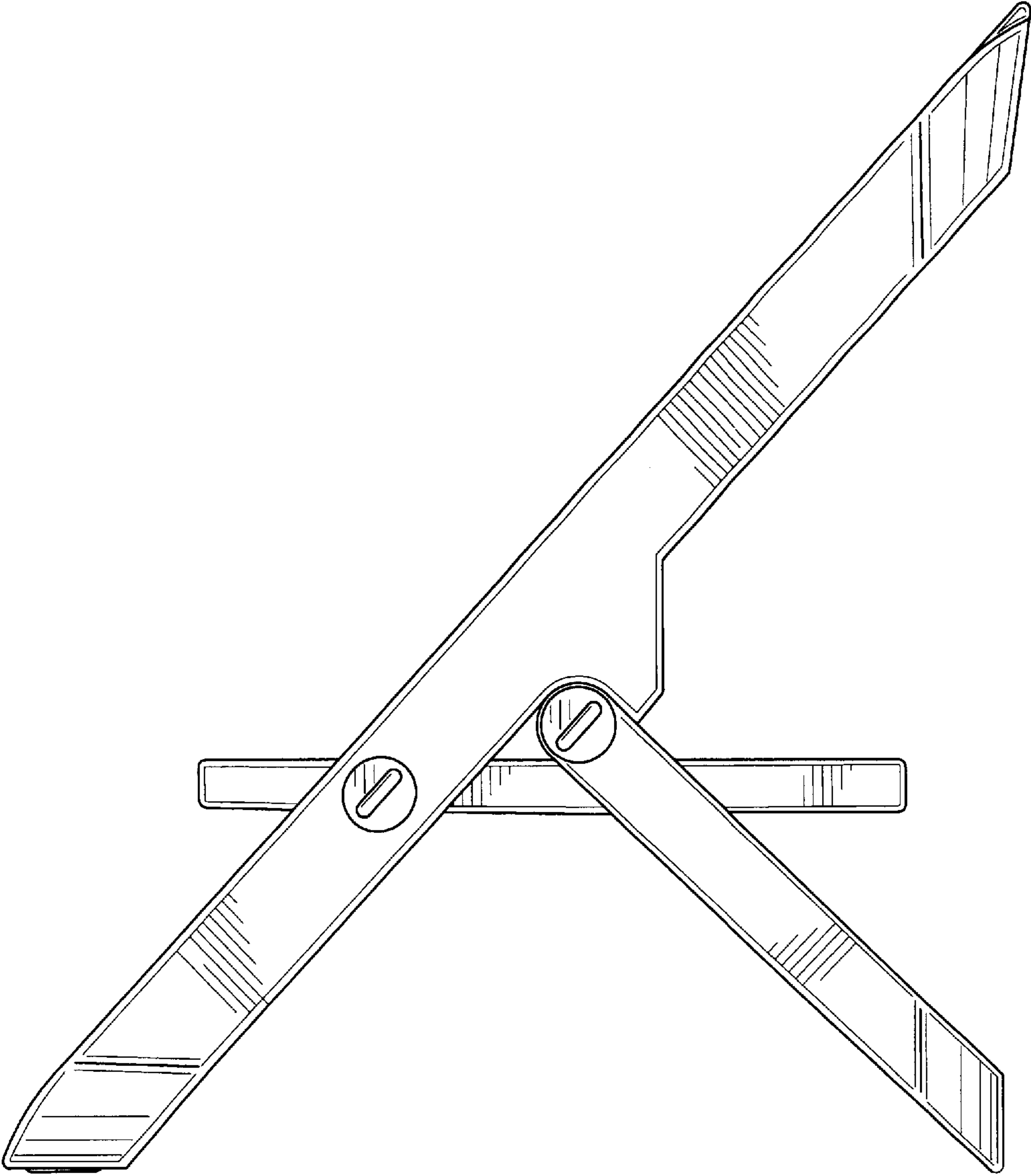


FIG. 7

