

US00D505024S

(12) **United States Design Patent**
Bellin

(10) **Patent No.: US D505,024 S**

(45) **Date of Patent: ** May 17, 2005**

(54) **CHAIR**

(75) Inventor: **Sergio Bellin, Vo' (PD) (IT)**

(73) Assignee: **Domino SRL, Nanto (VI) (IT)**

(**) Term: **14 Years**

(21) Appl. No.: **29/177,391**

(22) Filed: **Mar. 11, 2003**

(30) **Foreign Application Priority Data**

Sep. 12, 2002 (WO) DM/061294

(51) **LOC (7) Cl. 06-01**

(52) **U.S. Cl. D6/366**

(58) **Field of Search** D6/334, 364, 365,
D6/366, 367, 500, 501, 502; 297/411.2,
411.36

(56) **References Cited**

U.S. PATENT DOCUMENTS

D309,533 S	*	7/1990	Dozsa-Farkas	D6/366
D436,260 S	*	1/2001	Nagamitsu	D6/366
D437,701 S	*	2/2001	Bellini et al.	D6/366
D445,580 S	*	7/2001	Pennington et al.	D6/366
D445,581 S	*	7/2001	Su	D6/366
D446,033 S	*	8/2001	Koepke et al.	D6/366
D451,293 S	*	12/2001	Su	D6/366
D474,040 S	*	5/2003	Meda	D6/366

D476,821 S	*	7/2003	Koepke et al.	D6/366
D479,655 S	*	9/2003	Bellini et al.	D6/366
D482,205 S	*	11/2003	Englisch et al.	D6/366
D486,315 S	*	2/2004	Beaulieu et al.	D6/366
D487,359 S	*	3/2004	Giugiaro	D6/366

* cited by examiner

Primary Examiner—Gary D. Watson

(74) *Attorney, Agent, or Firm*—Birch, Stewart, Kolasch & Birch, LLP

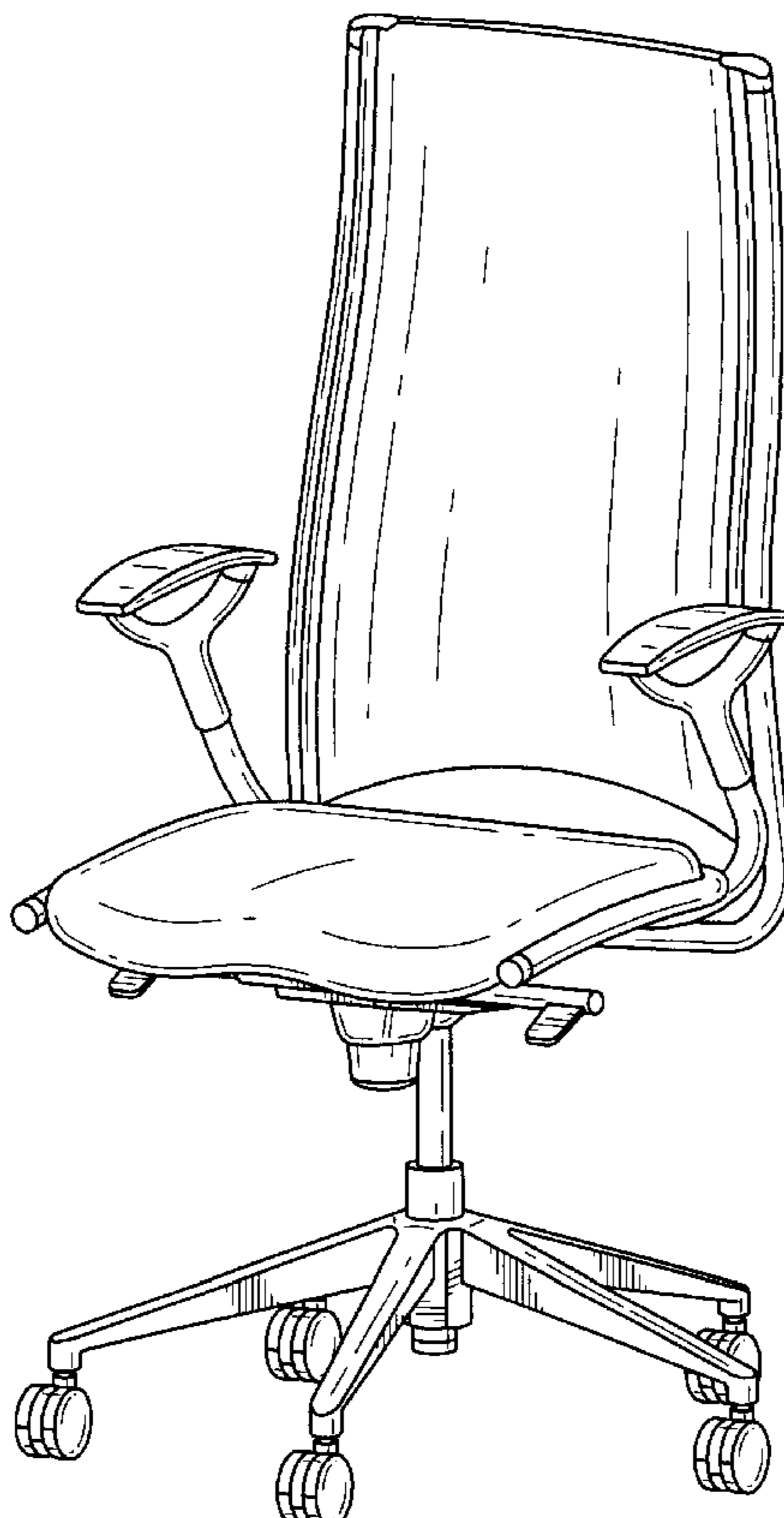
(57) **CLAIM**

The ornamental design for a chair, as shown and described.

DESCRIPTION

FIG. 1 is a front, right perspective view of a chair showing a first embodiment of my new design;
 FIG. 2 is a front view thereof;
 FIG. 3 is a right side view thereof, the left side being a mirror image;
 FIG. 4 is a back view thereof;
 FIG. 5 is a top plan view thereof;
 FIG. 6 is a front, right perspective view of a chair showing a second embodiment of my new design;
 FIG. 7 is a front view thereof;
 FIG. 8 is a right side view thereof, the left side being a mirror image;
 FIG. 9 is a back view thereof; and,
 FIG. 10 is a top plan view thereof.

1 Claim, 6 Drawing Sheets



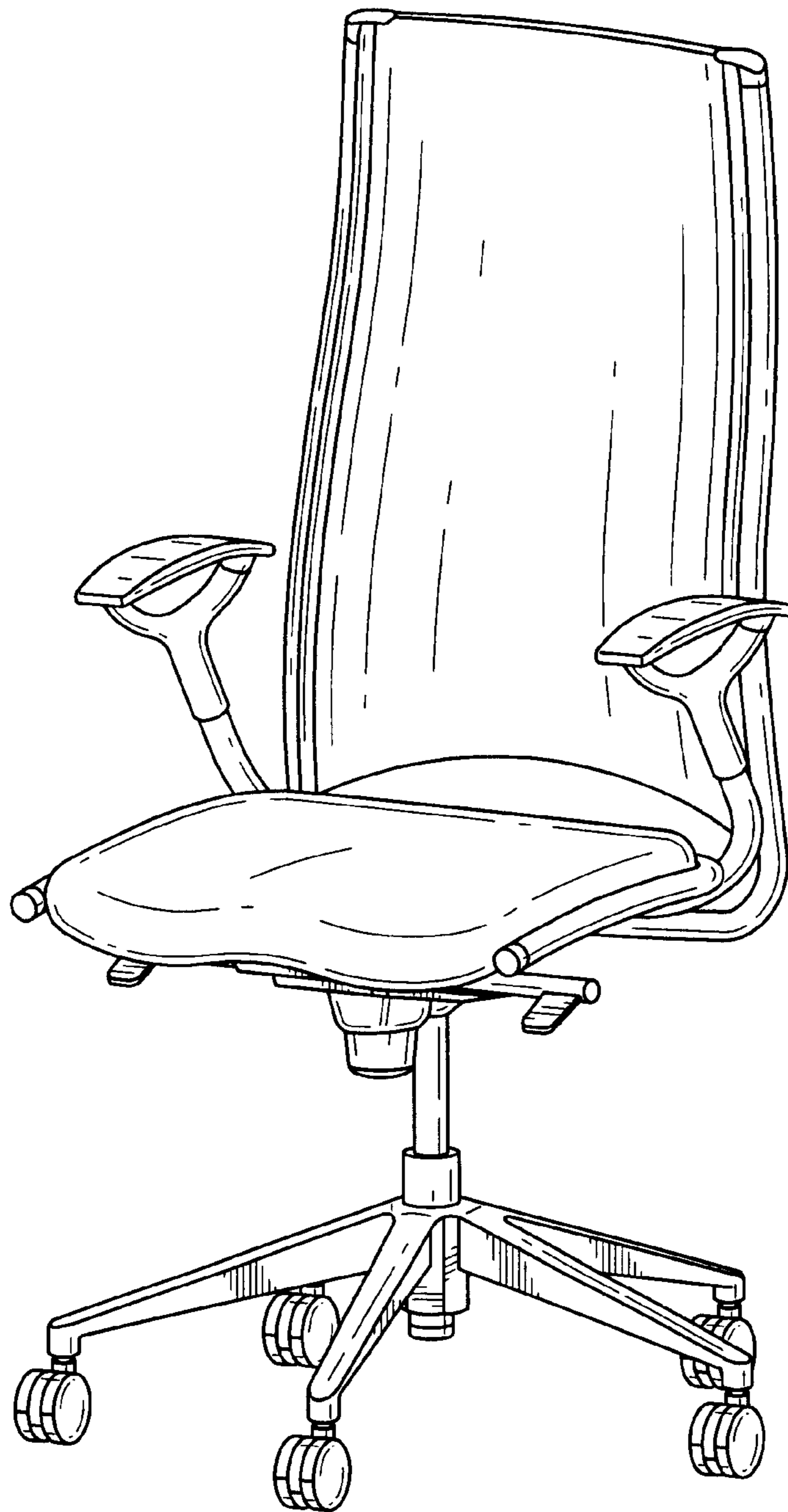


FIG. 1

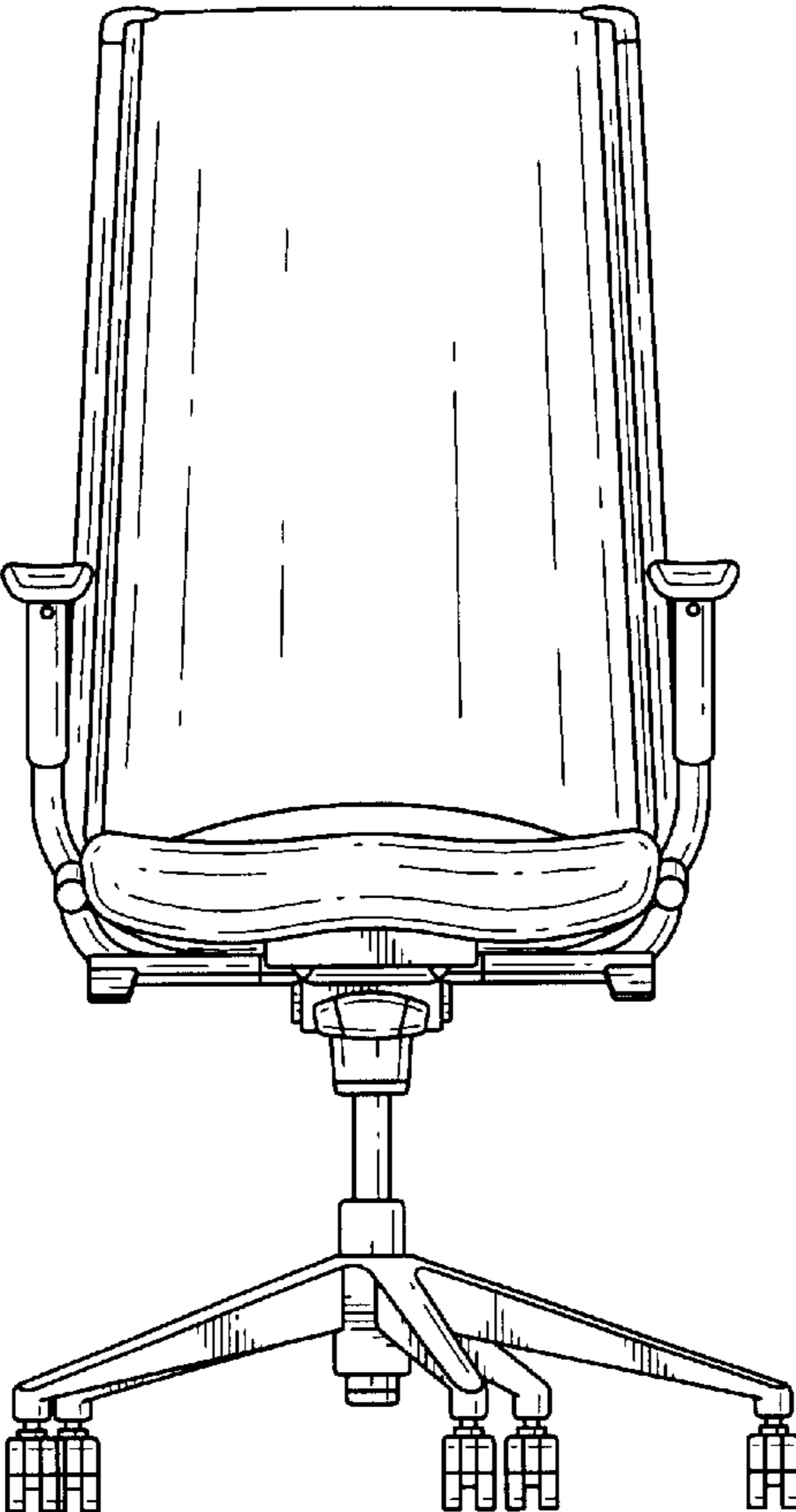


FIG. 2

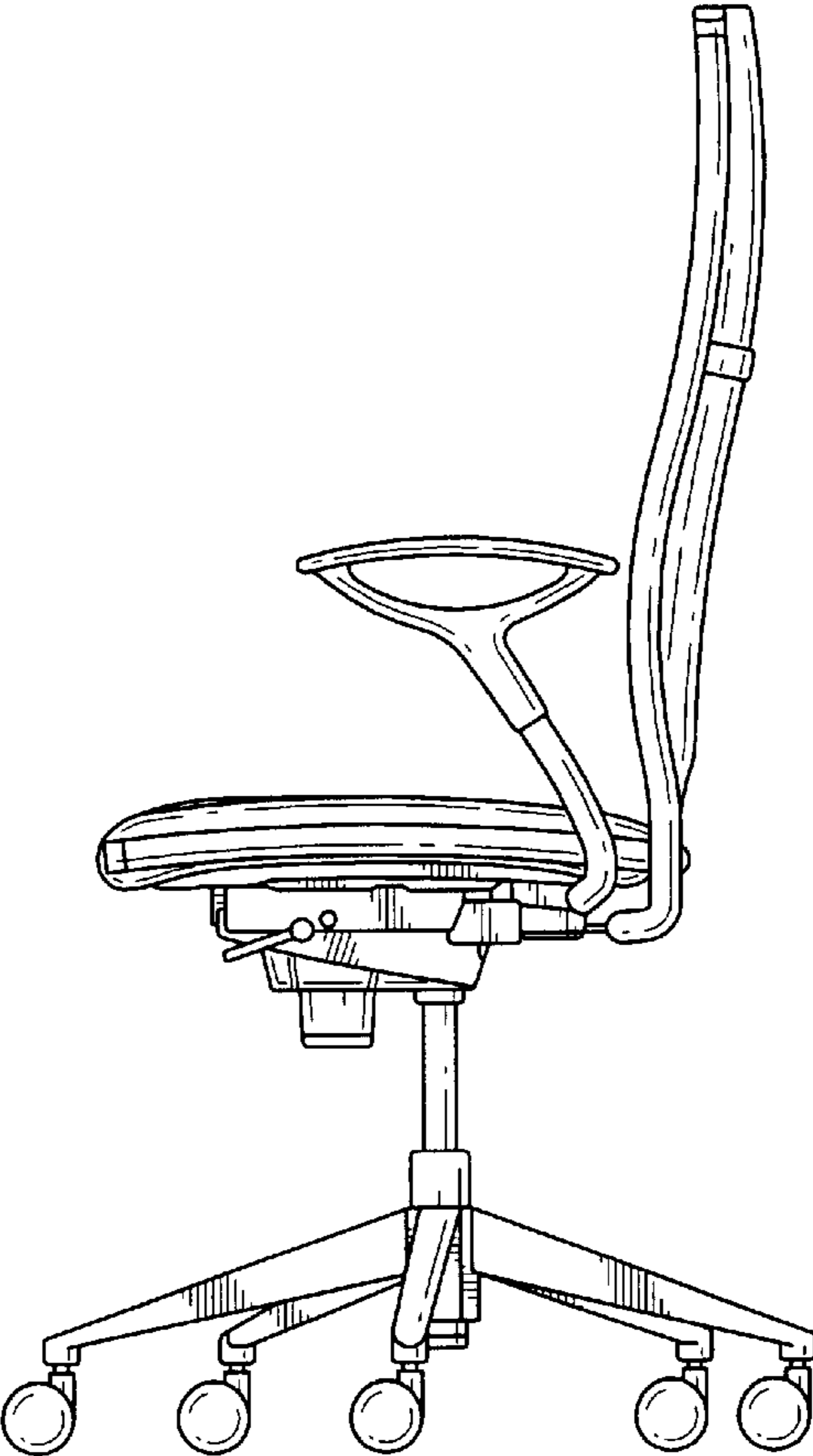


FIG. 3

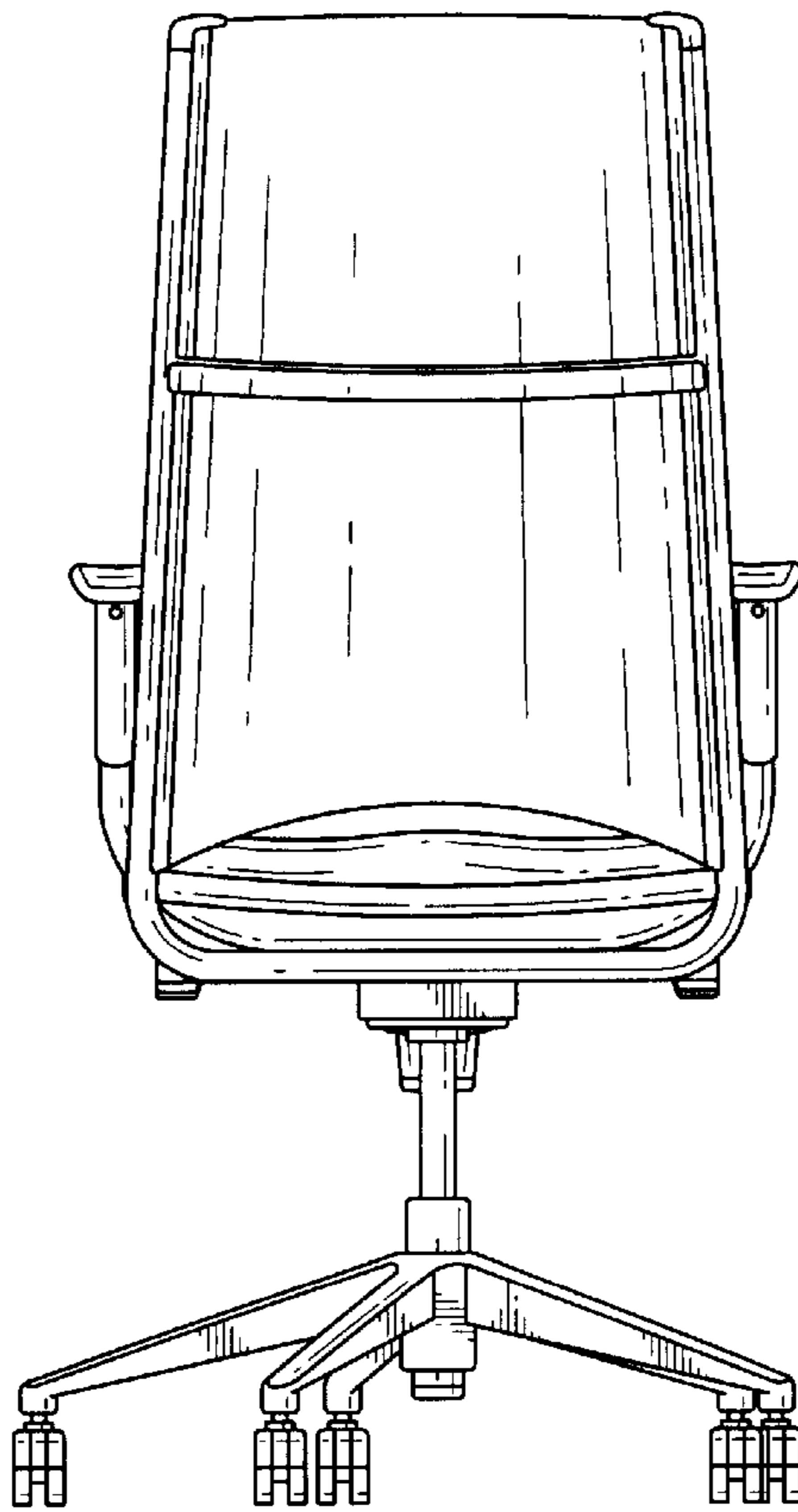


FIG.4

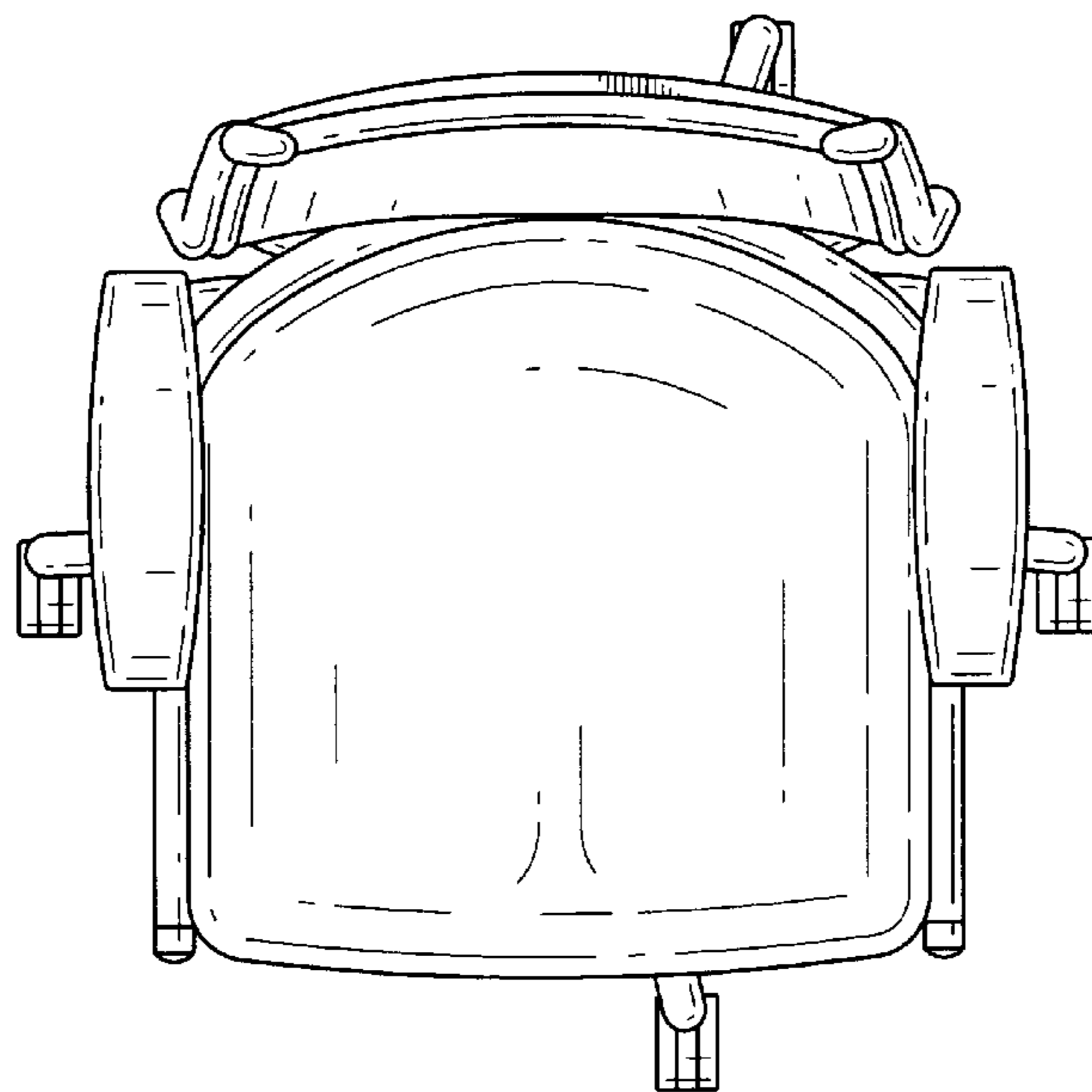


FIG.5

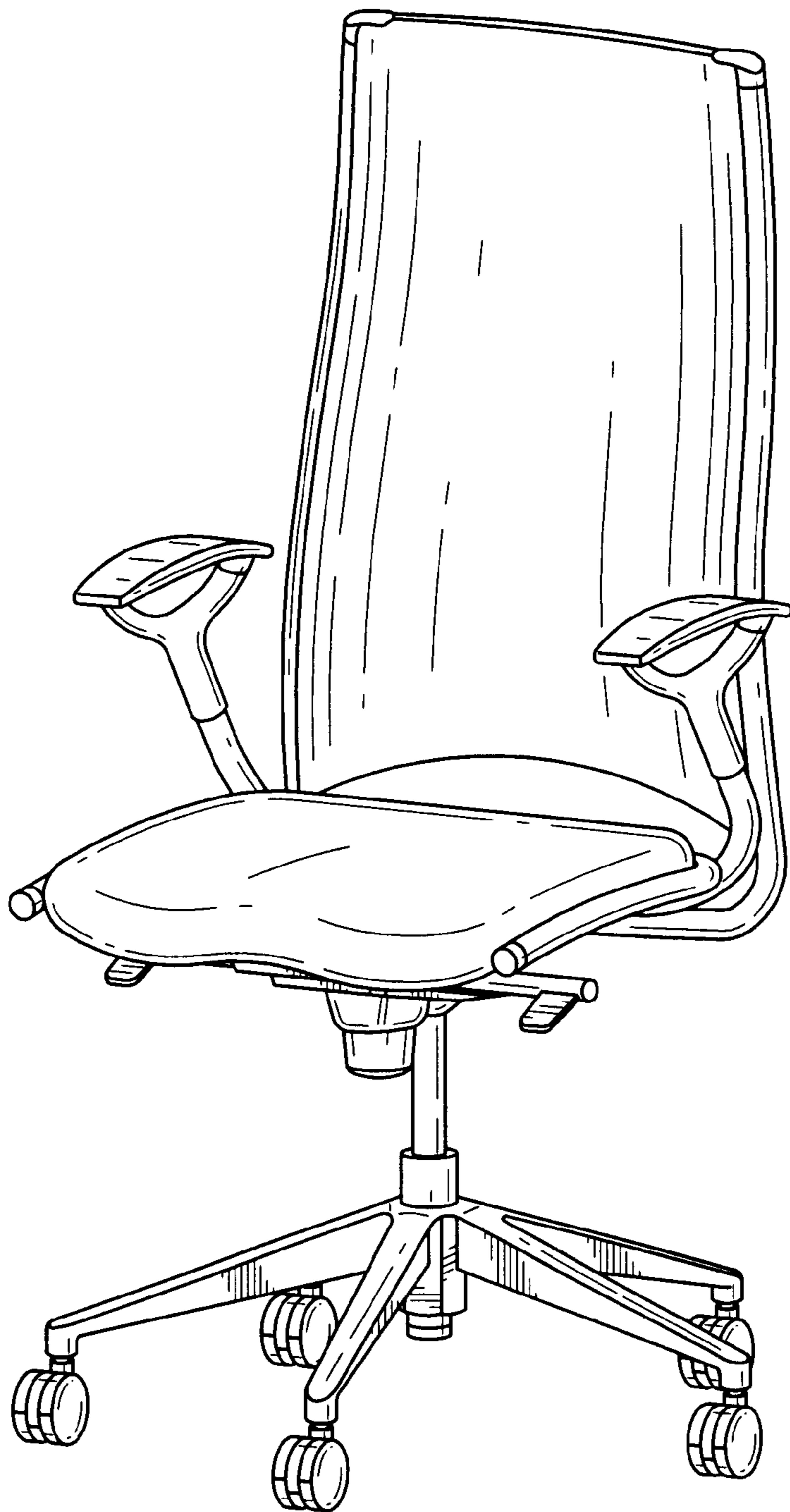


FIG.6

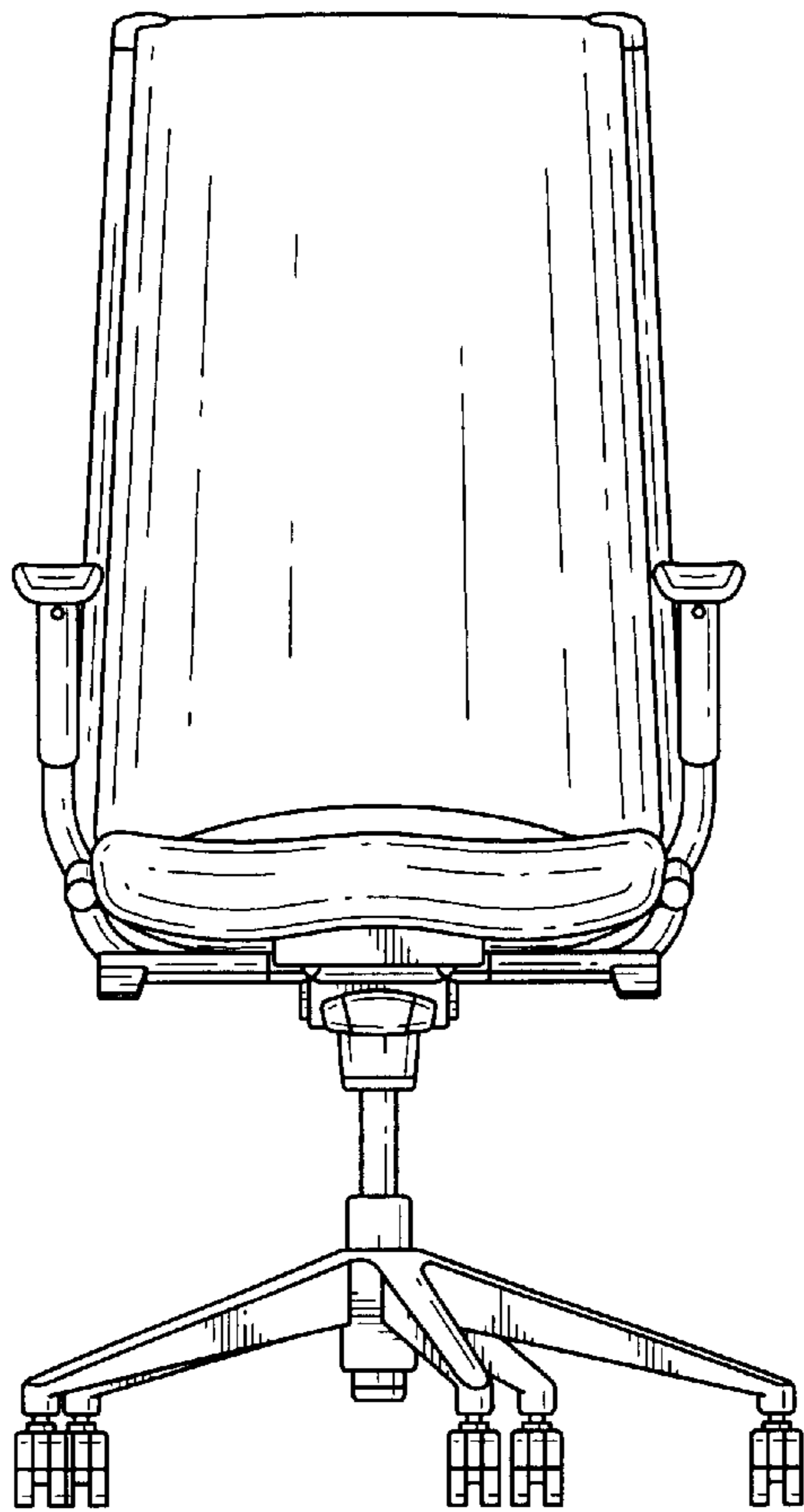


FIG. 7

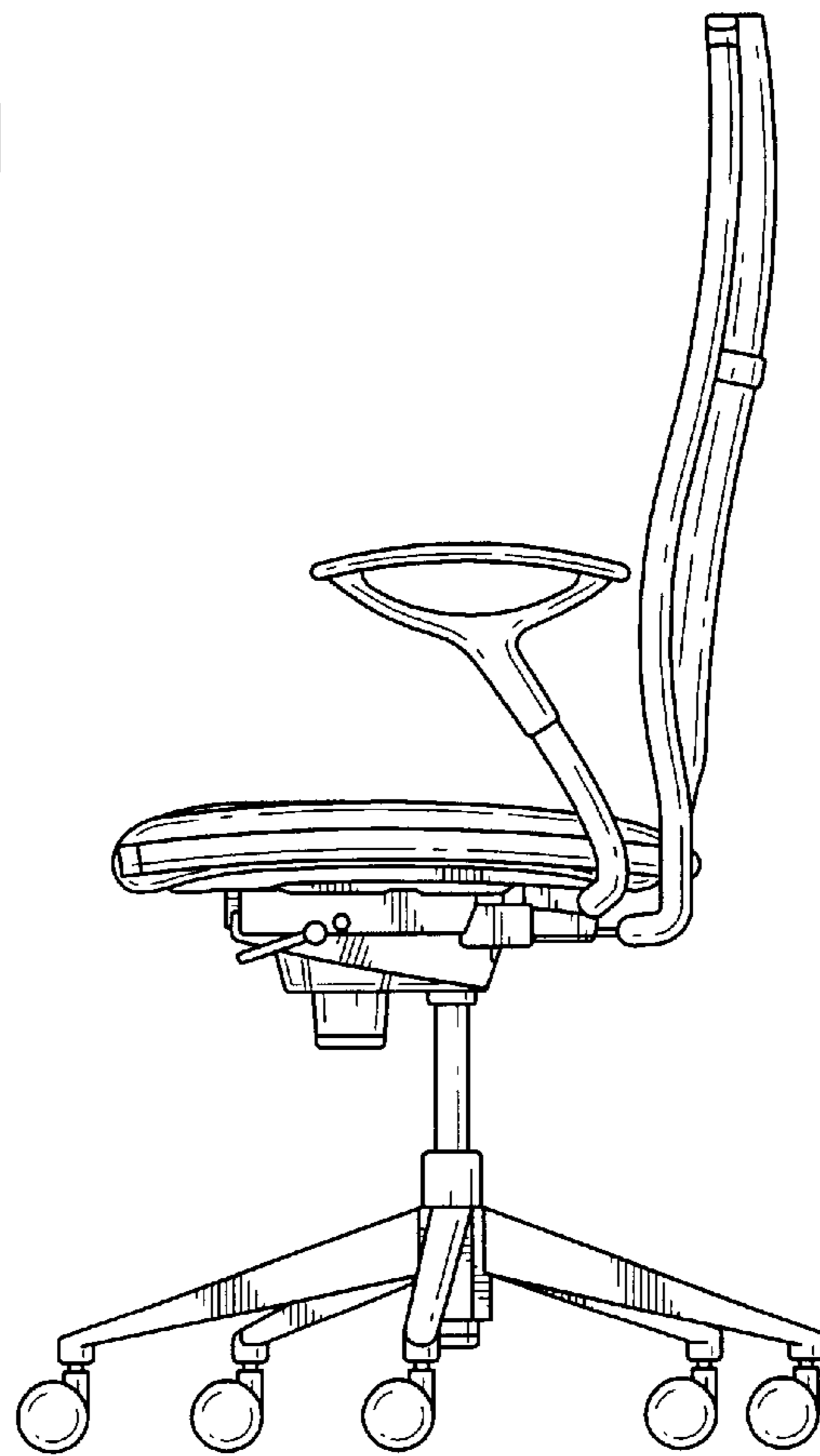


FIG. 8

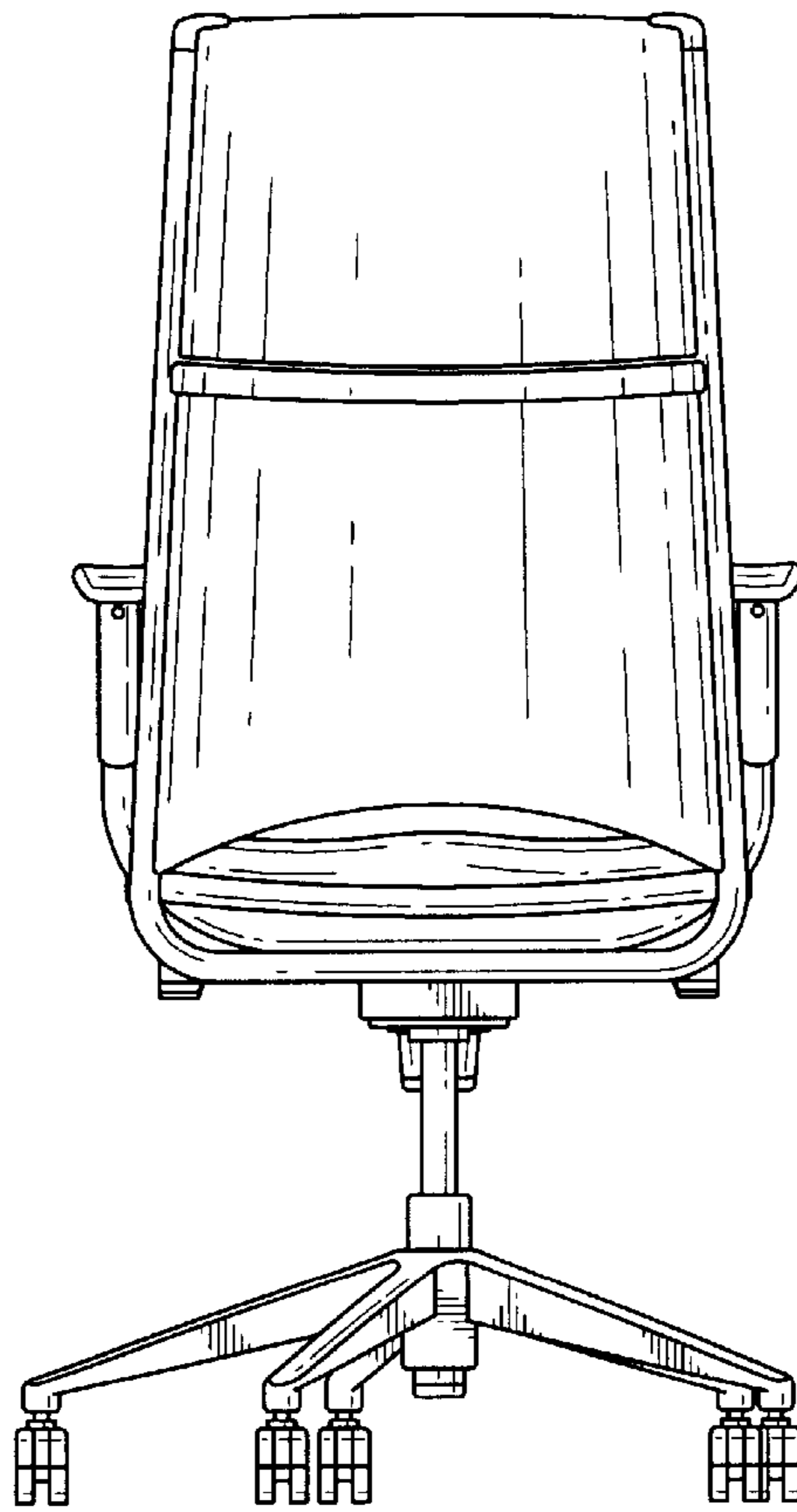


FIG.9

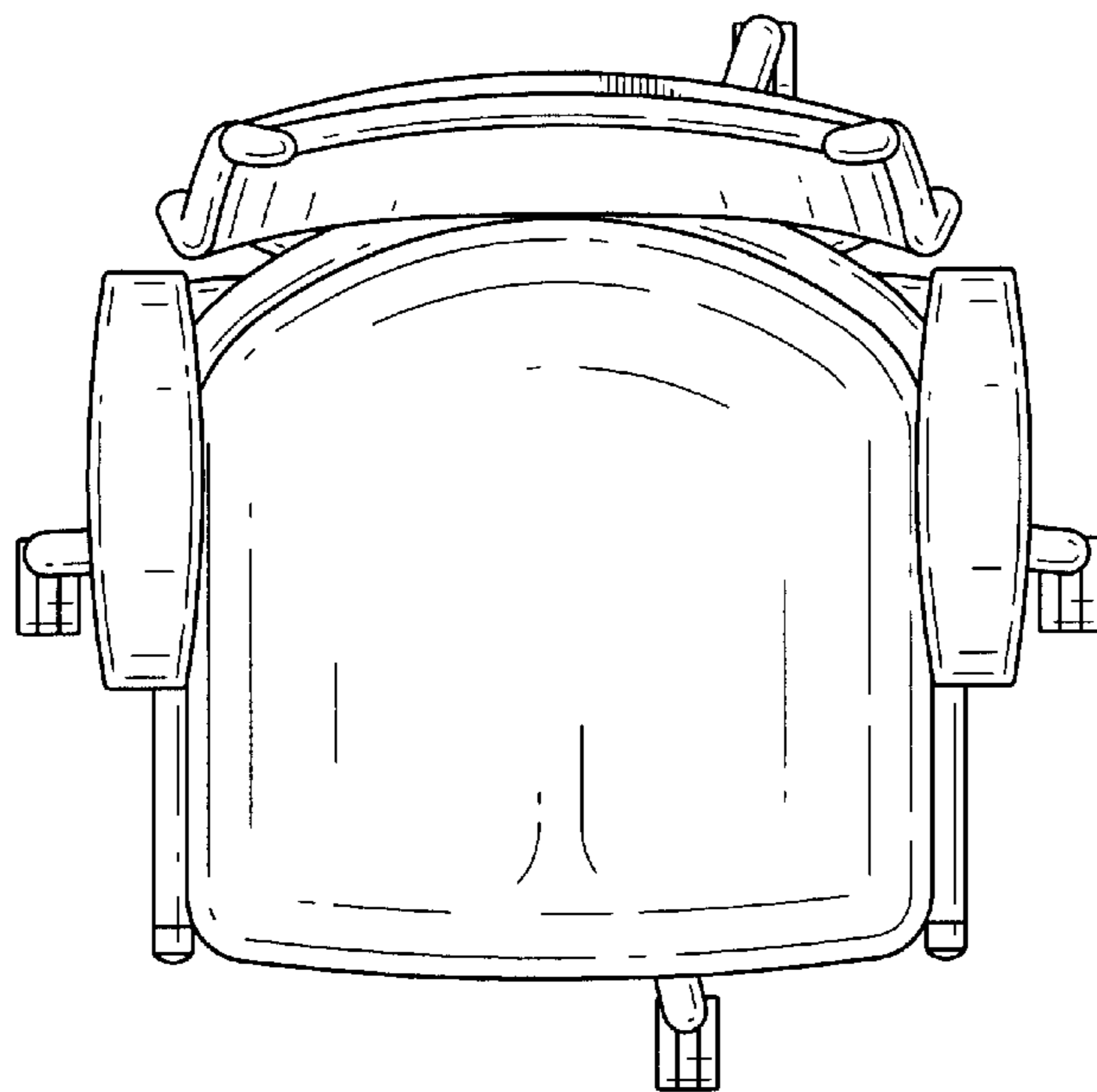


FIG.10