

US00D505023S

(12) **United States Design Patent**
Eldoy

(10) **Patent No.:** **US D505,023 S**

(45) **Date of Patent:** **** May 17, 2005**

(54) **RECLINING CHAIR**

D230,541 S * 3/1974 Klose D6/365
D442,378 S * 5/2001 Arad D6/366

(76) Inventor: **Olav Eldoy**, Stokken, Sagvag 5410
(NO)

* cited by examiner

(**) Term: **14 Years**

Primary Examiner—Mimosa De
(74) *Attorney, Agent, or Firm*—Kolisch Hartwell, P.C.

(21) Appl. No.: **29/163,391**

(57) **CLAIM**

(22) Filed: **Jul. 3, 2002**

The ornamental design for a reclining chair, as shown and described.

(30) **Foreign Application Priority Data**

Jan. 4, 2002 (NO) 20020010

DESCRIPTION

(51) **LOC (7) Cl.** **06-01**

FIG. 1 is a left-side elevation of a reclining chair of my invention.

(52) **U.S. Cl.** **D6/365; D6/375**

FIG. 2 is a left-side elevation of the chair shown in FIG. 1, shown in a reclining position.

(58) **Field of Search** D6/334, 344, 364-366,
D6/367, 368, 374, 375, 380, 500-502, 335,
495, 498; 297/68, 317, 451.4, 451.5, 452.12,
452.35, 452.36, 423.1, 423.18, 423.19,
423.29, 220, 391, 393

FIG. 3 is a left-side elevation of the chair shown in FIG. 1, shown in another reclining position.

FIG. 4 is a front elevation of the chair shown in FIG. 1.

FIG. 5 is a right-side elevation of the chair shown in FIG. 1.

FIG. 6 is a top plan view of the chair shown in FIG. 1.

FIG. 7 is a bottom plan view of the chair shown in FIG. 1.

FIG. 8 is an isometric view of the chair of FIGS. 1-6, viewed from the right front of the chair.

FIG. 9 is an isometric view of the chair of FIGS. 1-8, viewed from the left back bottom of the chair; and,

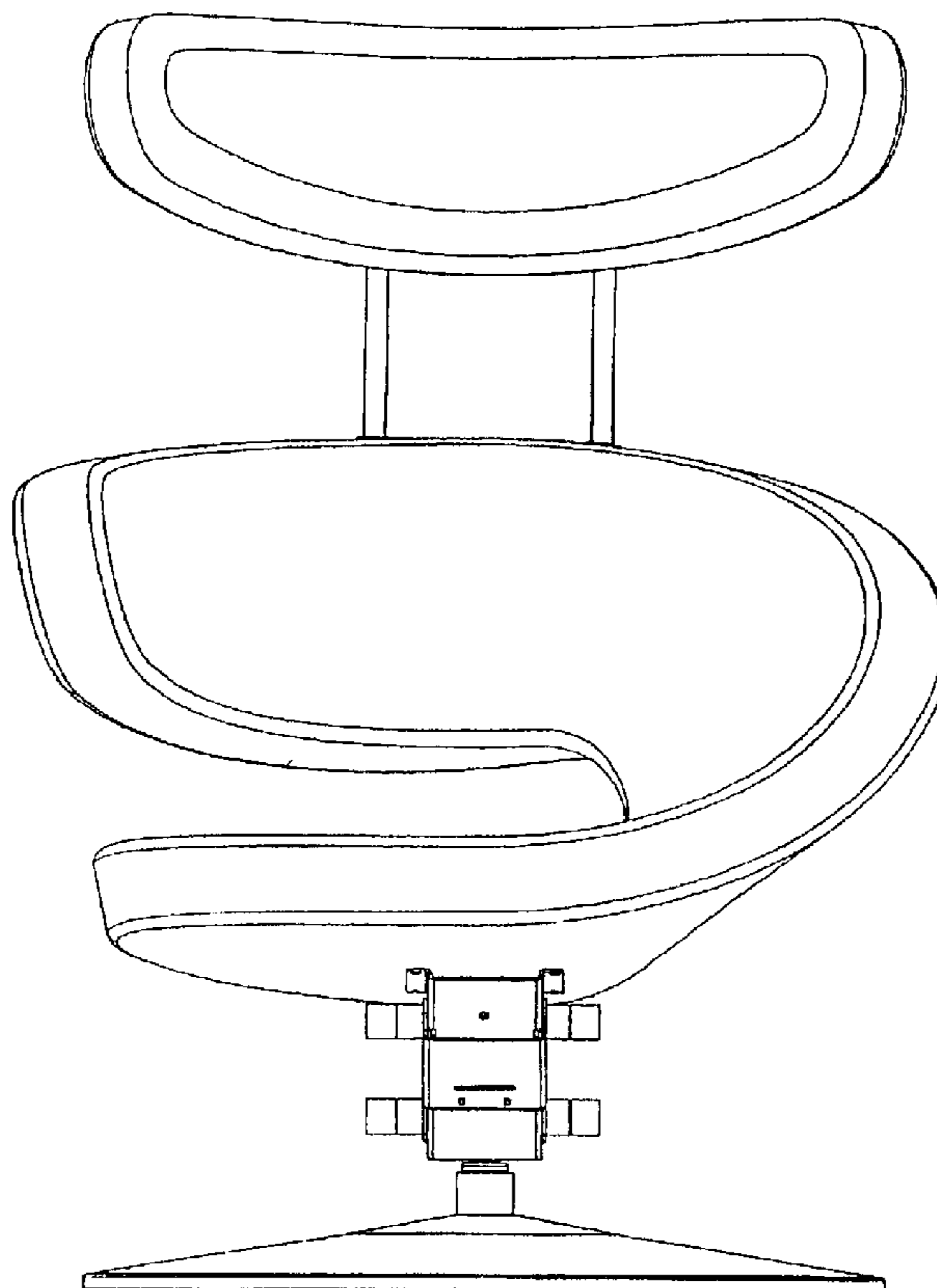
FIG. 10 is a rear elevation of the chair shown in FIG. 1.

(56) **References Cited**

U.S. PATENT DOCUMENTS

D191,705 S * 11/1961 Galloway D6/365
3,170,730 A * 2/1965 Beckman et al. 297/451.4
D207,840 S * 6/1967 Rodrigo D6/375
D209,743 S * 1/1968 Mulhauser, Jr. D6/366
3,656,808 A * 4/1972 Chang 297/451.4

1 Claim, 10 Drawing Sheets



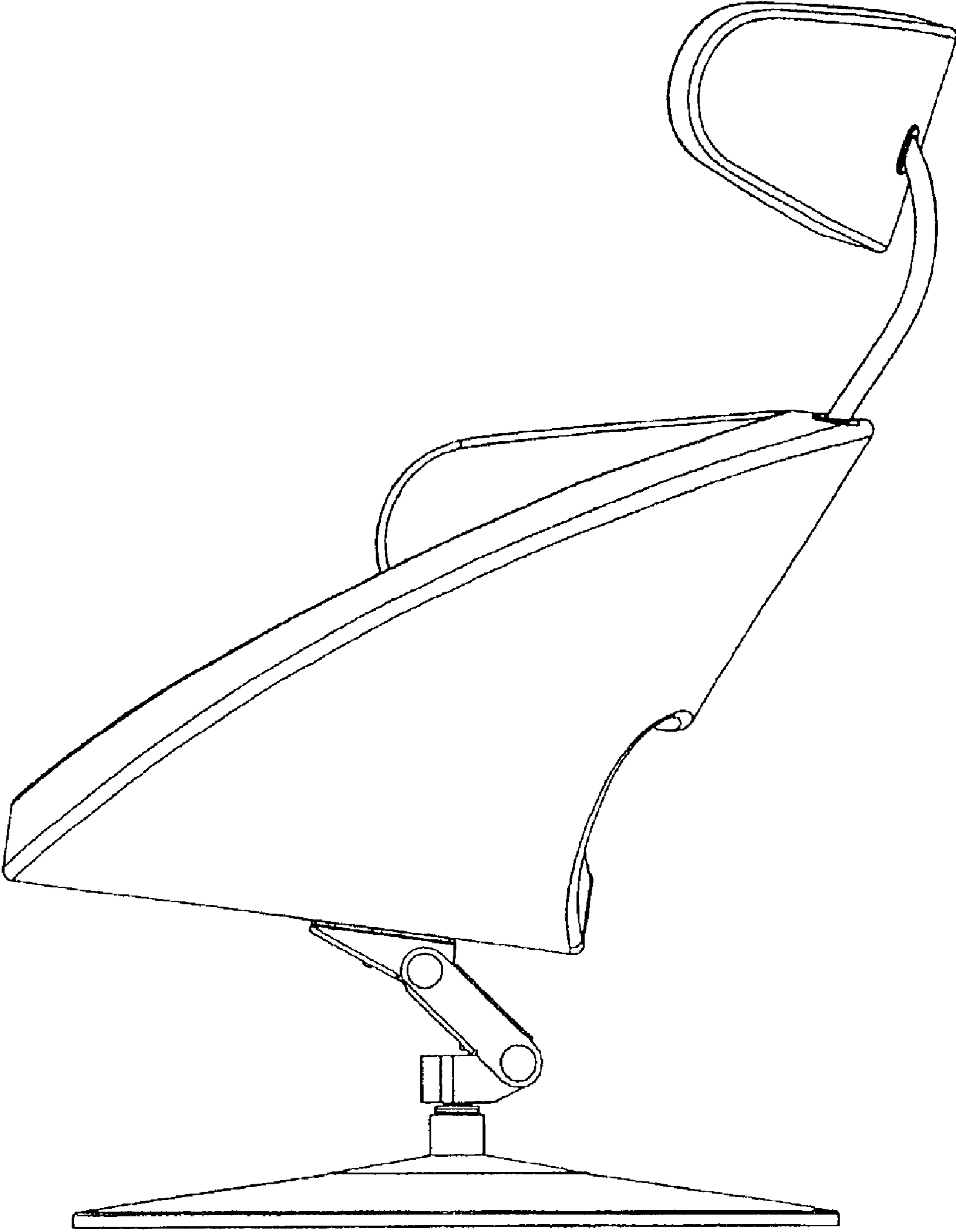


Fig. 1

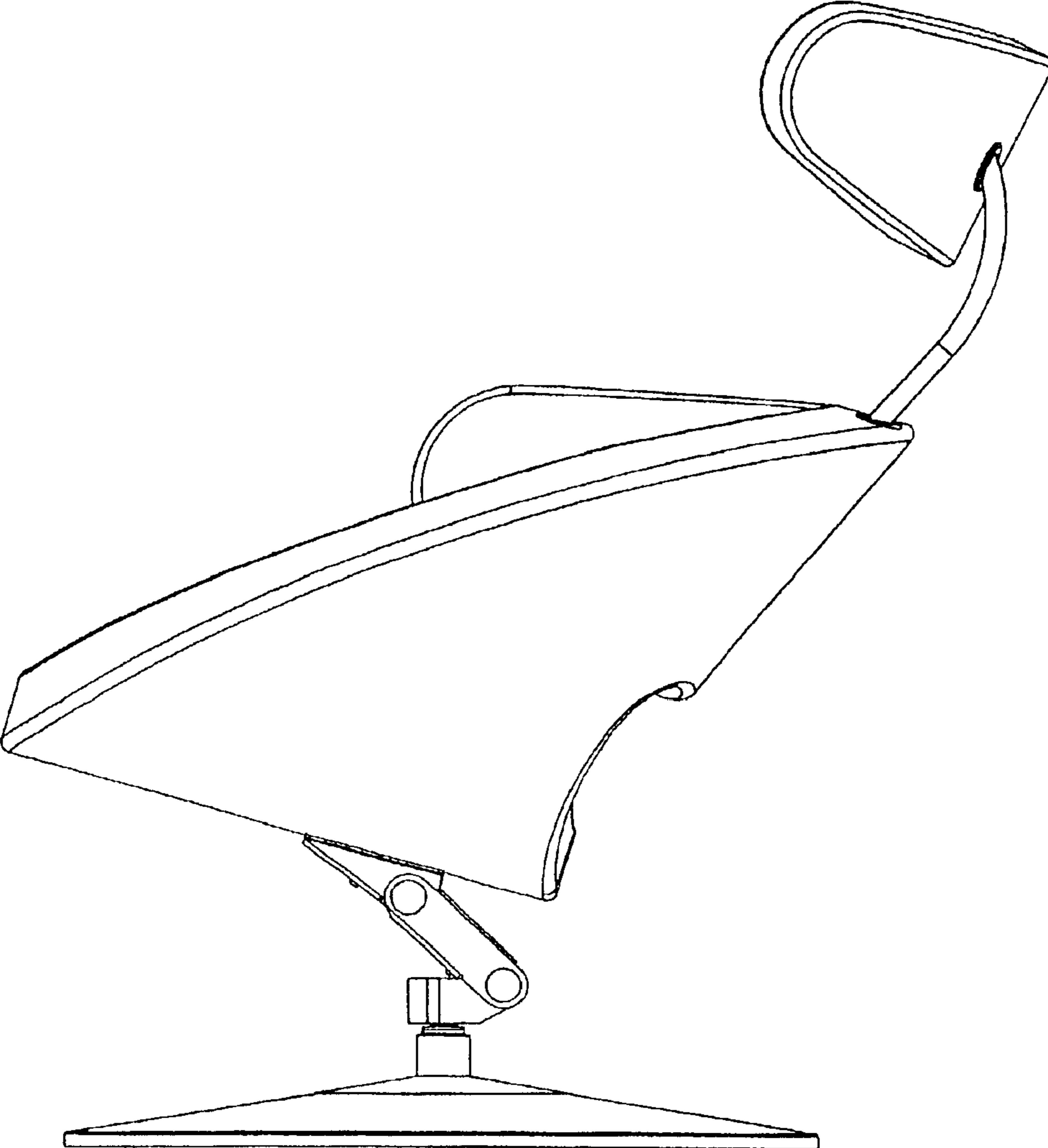


Fig. 2

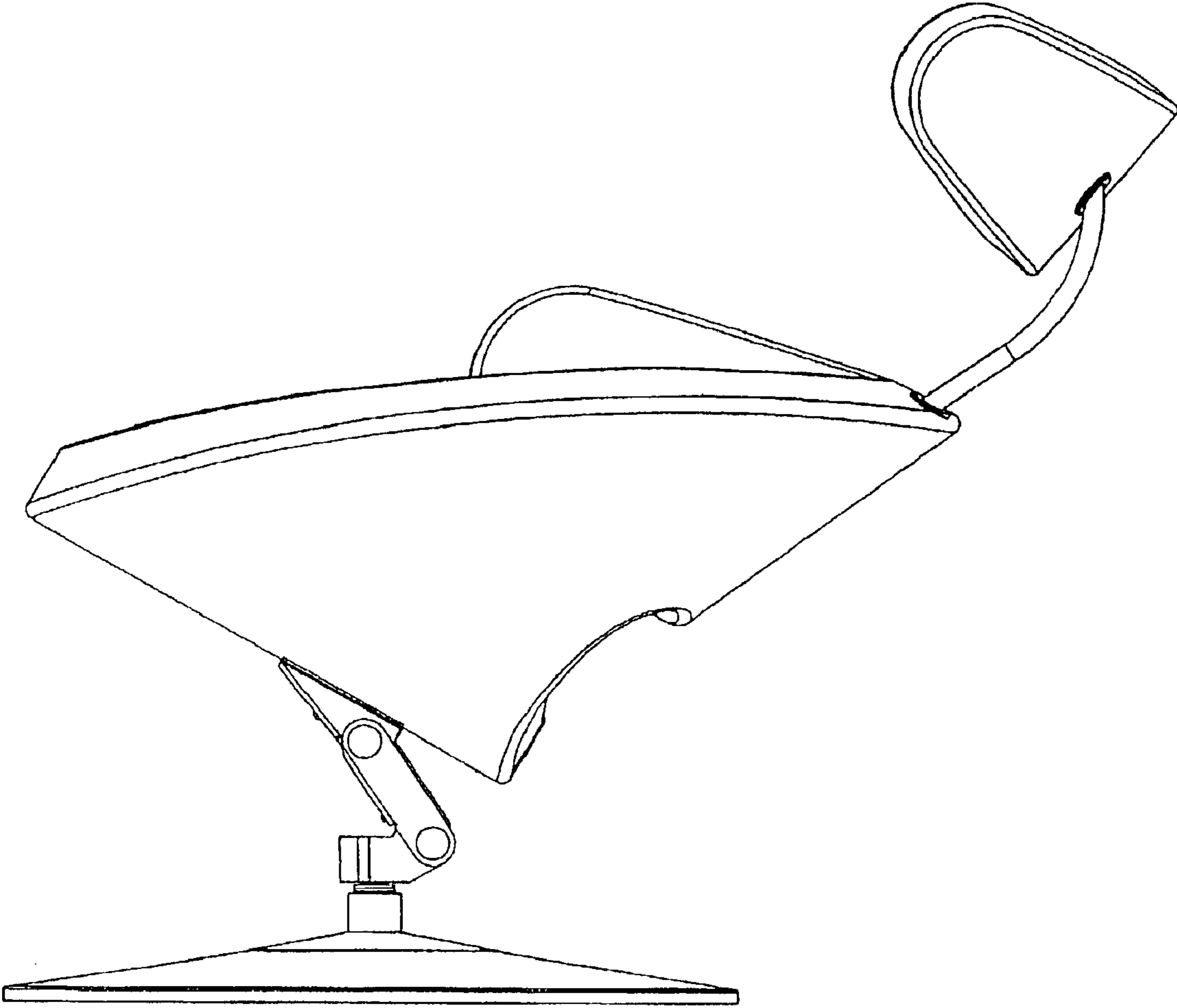


Fig. 3

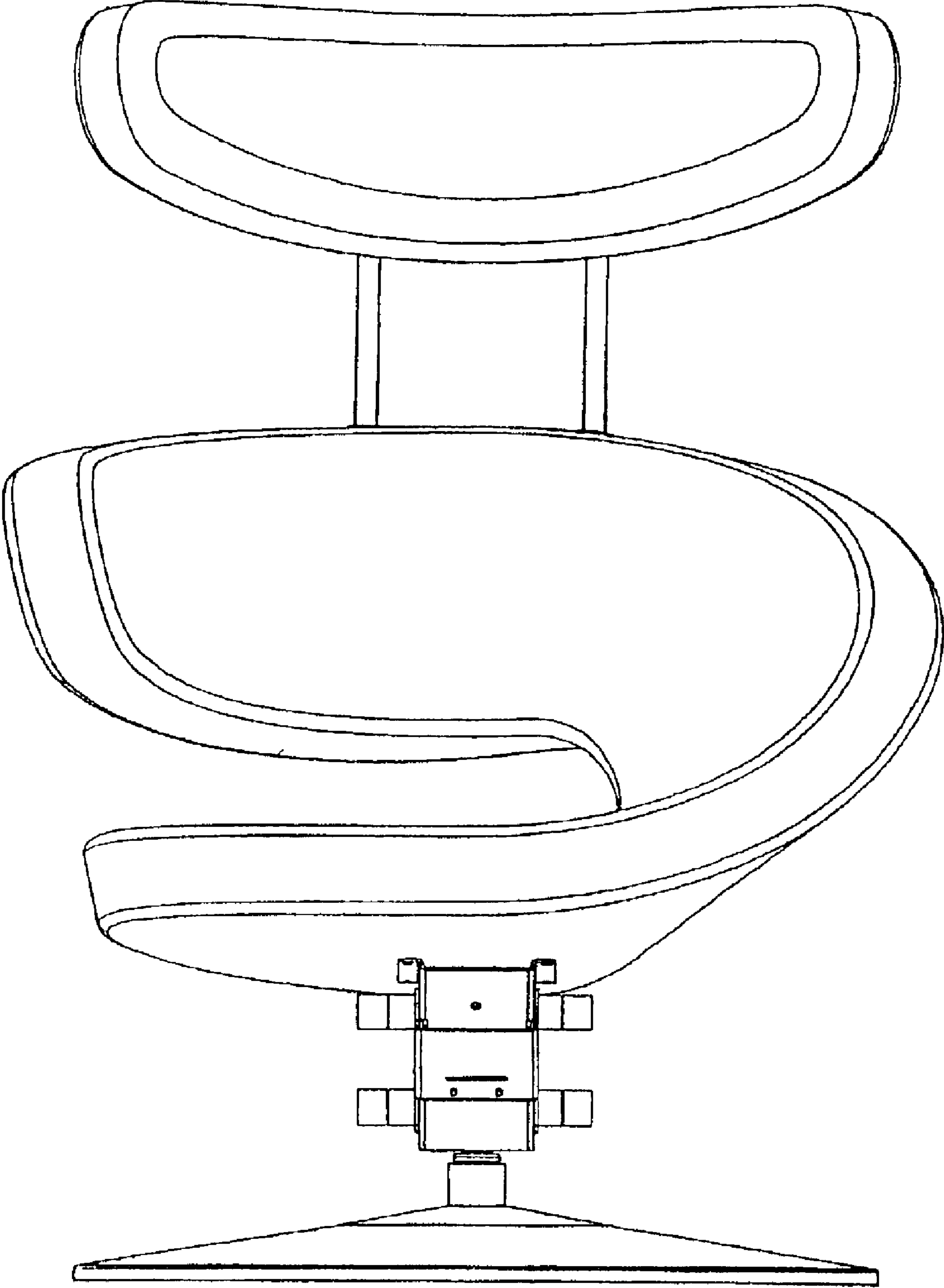


Fig. 4

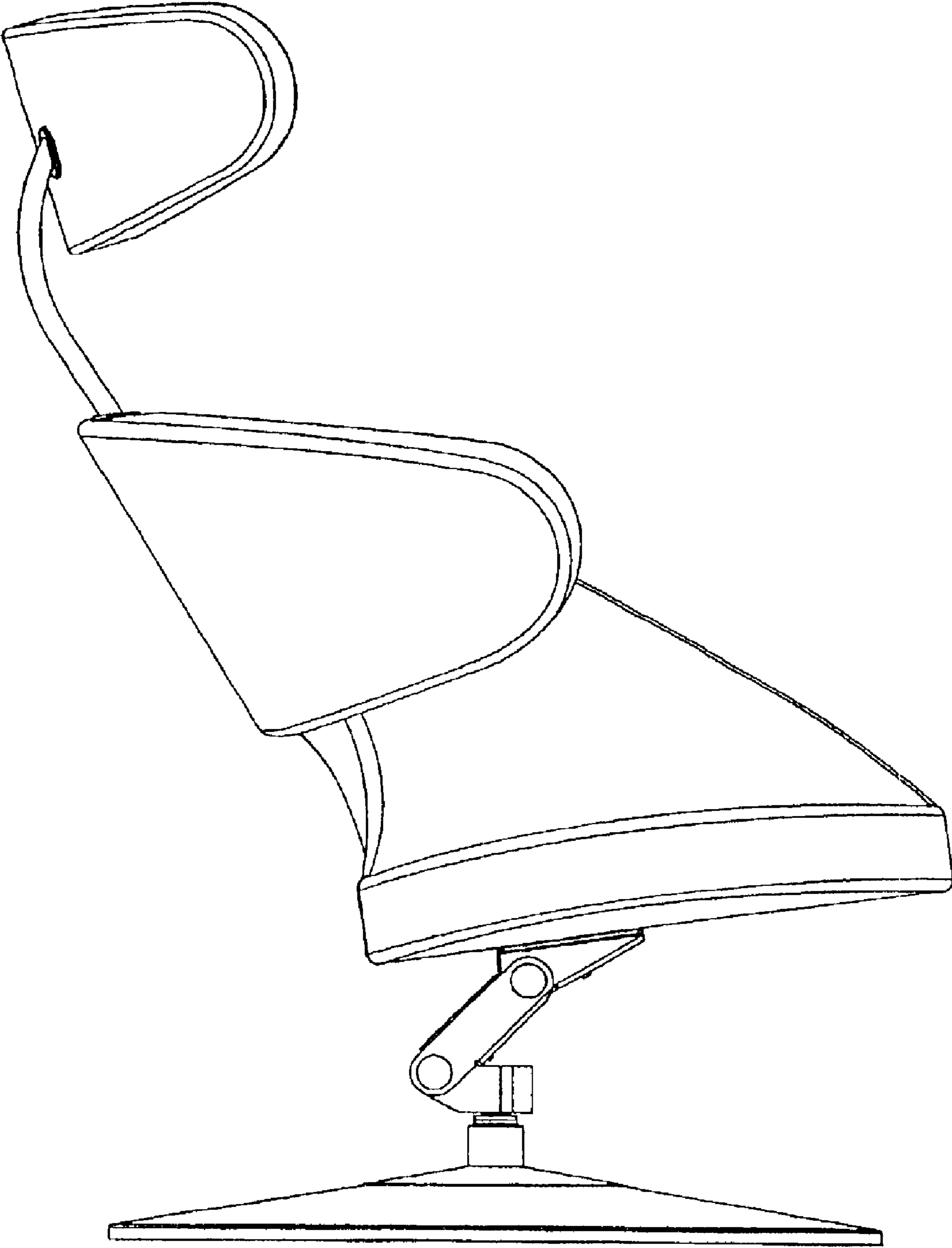


Fig. 5 .

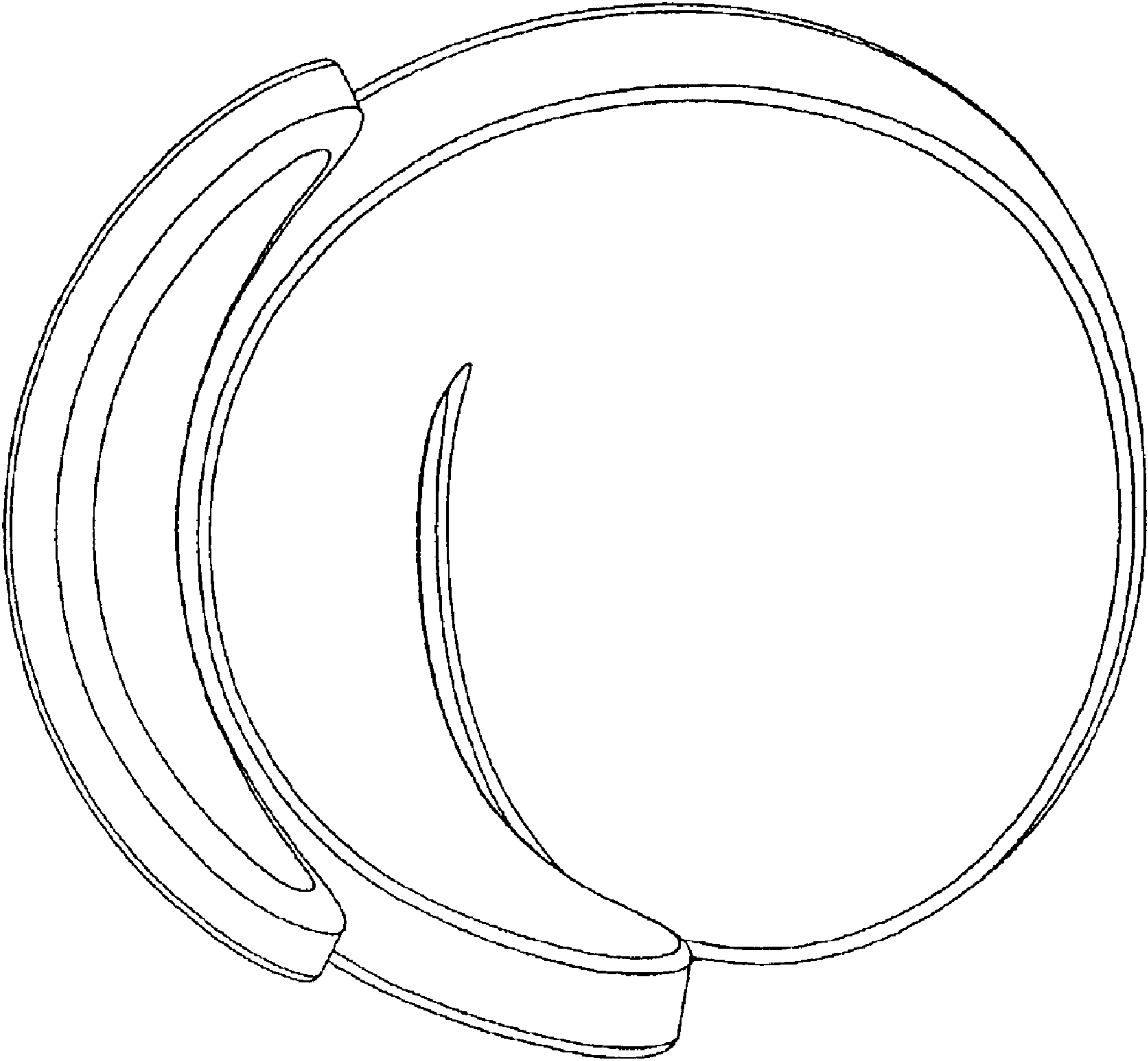


Fig. 6

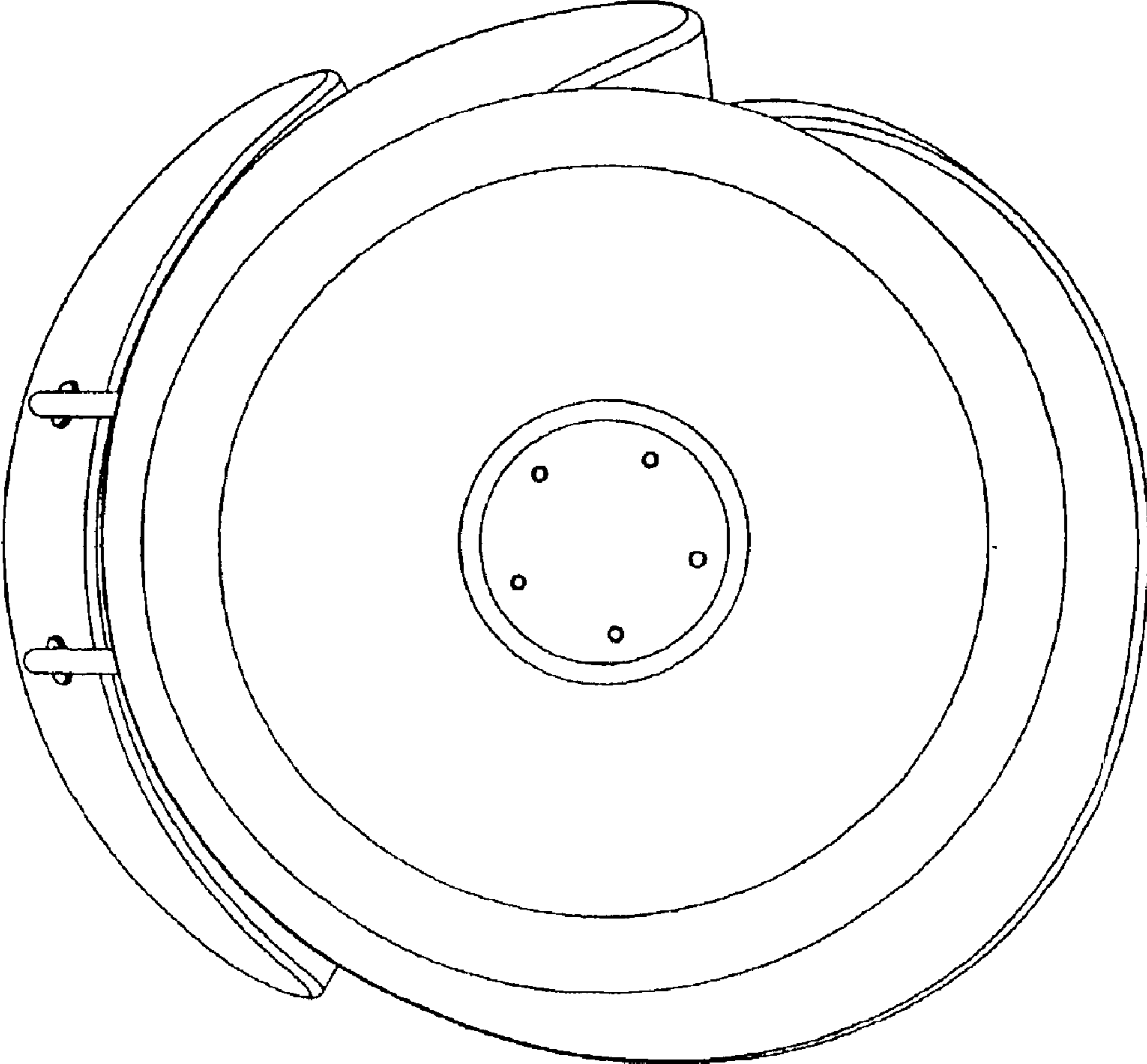


Fig. 7

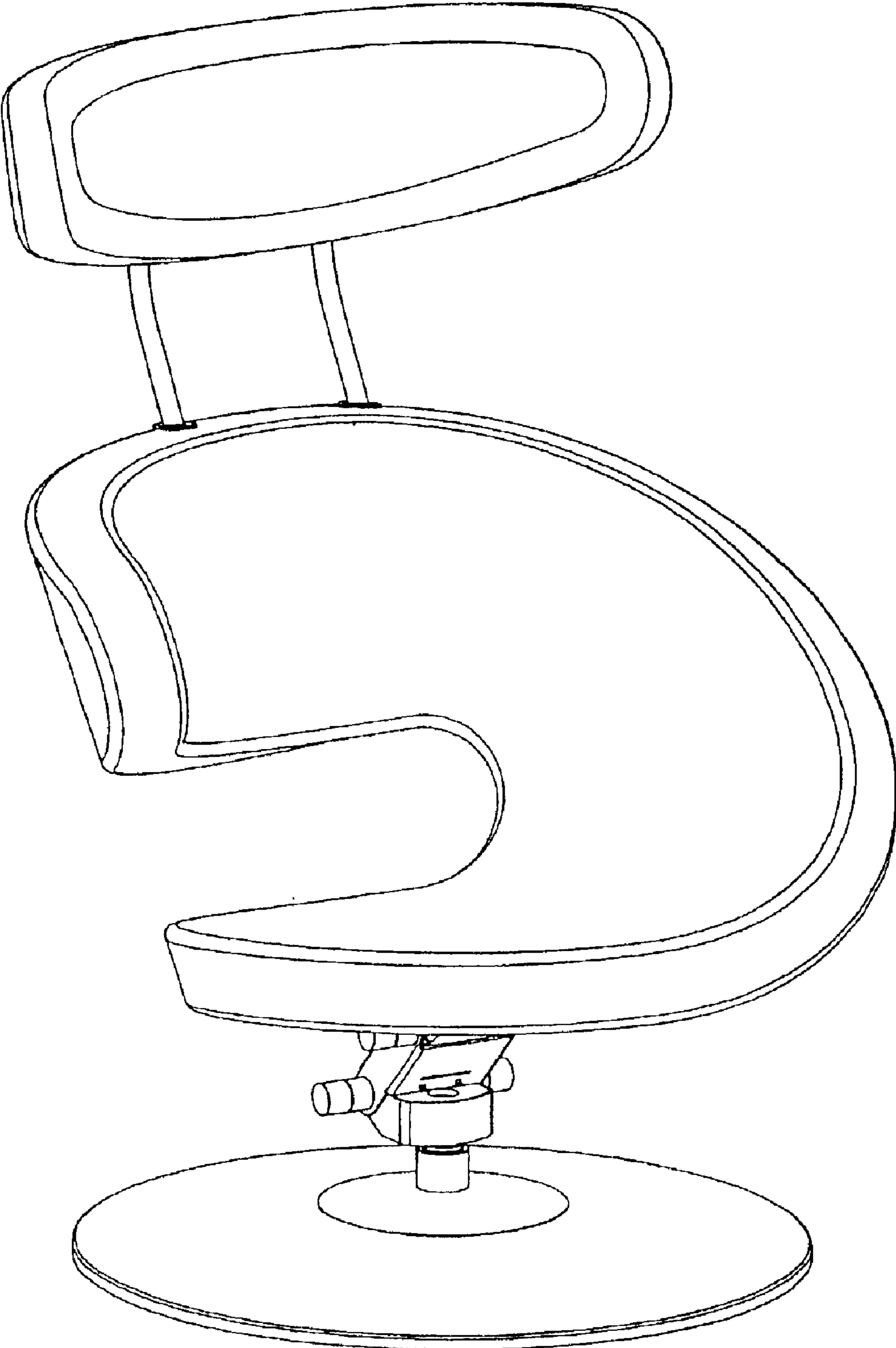


Fig. 8

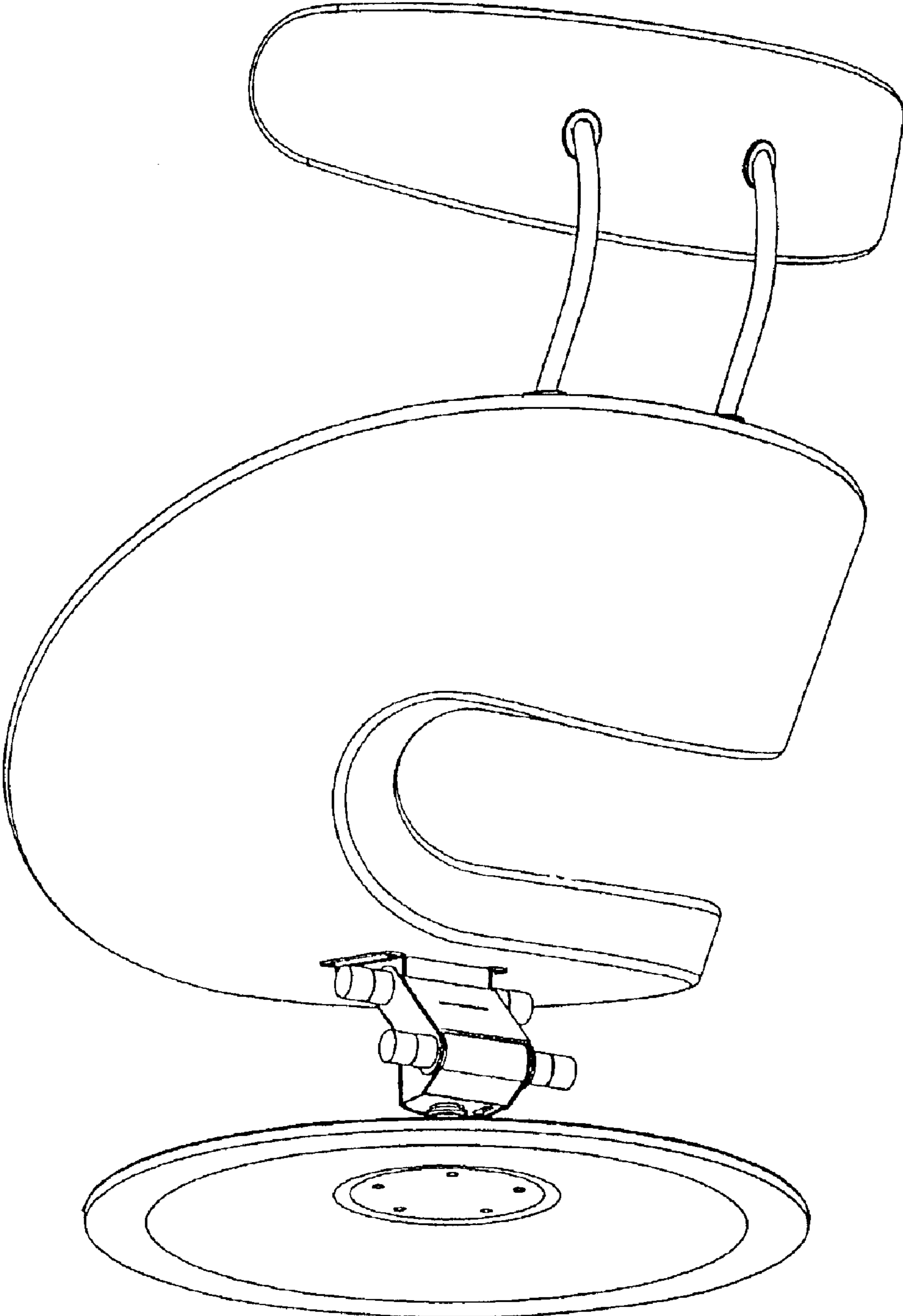


Fig. 9

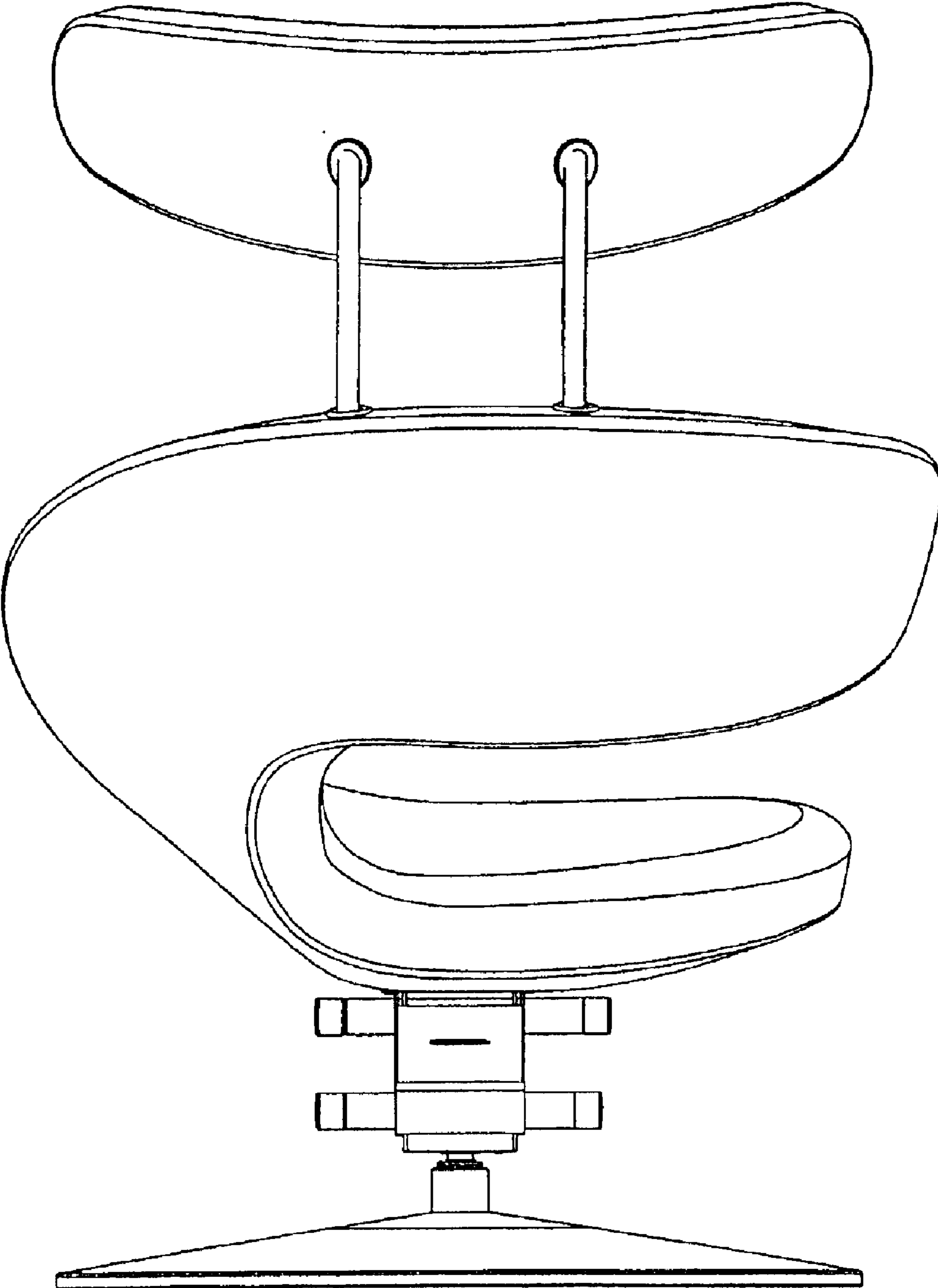


Fig. 10