



US00D505020S

(12) **United States Design Patent**
Fischer

(10) **Patent No.:** **US D505,020 S**
(45) **Date of Patent:** **** May 17, 2005**

(54) **CLOTHING HANGER ADAPTER**
(76) **Inventor:** **James R. Fischer**, 1717 Twin Oaks
La., Sheboygan, WI (US) 53083
(**) **Term:** **14 Years**

3,950,829 A * 4/1976 Cohen 211/124
4,454,969 A * 6/1984 Huth 223/96
6,213,359 B1 * 4/2001 Gish 223/98
D488,309 S * 4/2004 Atwood D6/328
2003/0136806 A1 * 7/2003 Mainetti 223/85

* cited by examiner

(21) **Appl. No.:** **29/193,756**
(22) **Filed:** **Nov. 13, 2003**

Primary Examiner—Stella Reid
Assistant Examiner—Daniel Bui
(74) *Attorney, Agent, or Firm*—Andrus Sceaux, Starke &
Sawall, LLP

Related U.S. Application Data

(63) Continuation-in-part of application No. 29/165,504, filed on
Aug. 12, 2002.
(51) **LOC (7) Cl.** **06-08**
(52) **U.S. Cl.** **D6/328**
(58) **Field of Search** D6/328, 315, 317,
D6/318–319, 326; 24/499–500, 517–518,
520; 211/86.01, 85–86, 88, 90–93, 96,
DIG. 2, DIG. 3

(57) **CLAIM**

The ornamental design of a clothing hanger adapter, as
shown and described.

DESCRIPTION

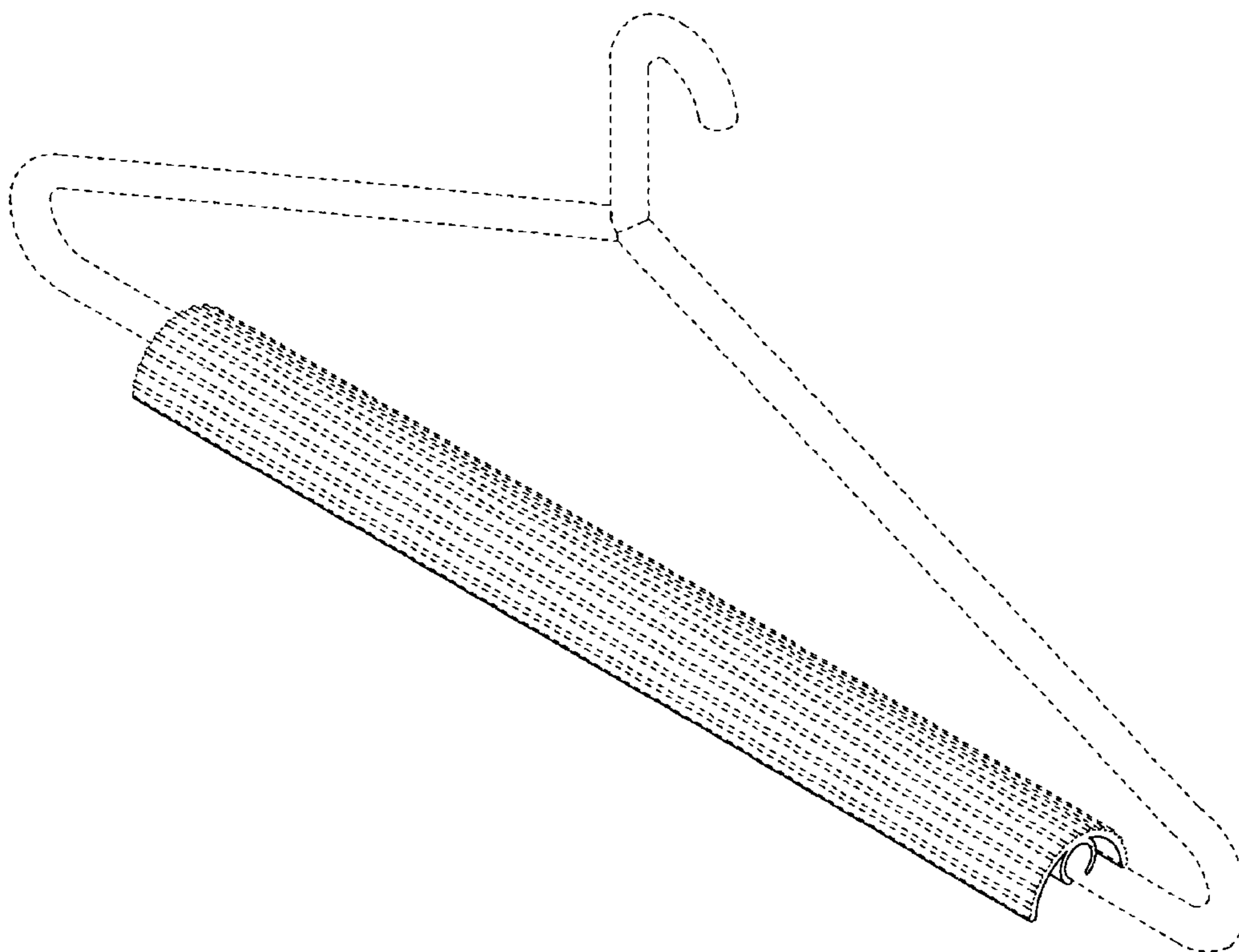
FIG. 1 is a perspective view of a clothing hanger adapter in
a reduced scale, showing my new design;
FIG. 2 is a top plan view thereof;
FIG. 3 is a front elevation view thereof, it being understood
that the opposite side is a mirror image thereof;
FIG. 4 is one end elevation view thereof, it being understood
that the opposite side is a mirror image thereof; and,
FIG. 5 is a bottom plan view thereof.
The ribs on upper surface in FIGS. 1, 2, 3 and 4, and the
conventional clothing hanger in FIG. 1 shown in broken
lines are for illustrative purposes only and form no part of
the claimed design.

(56) **References Cited**

U.S. PATENT DOCUMENTS

1,979,646 A * 11/1934 Schneider 223/88
2,023,443 A * 12/1935 Rogers 223/88
2,037,325 A * 4/1936 Hoehn 223/88
2,187,535 A * 1/1940 Karnig 223/98
2,228,918 A * 1/1941 Wesselmann 223/86
2,510,043 A * 5/1950 Tillery 223/88
2,641,391 A * 6/1953 Tillery 223/88
3,512,228 A * 5/1970 Carvell 206/409

1 Claim, 3 Drawing Sheets



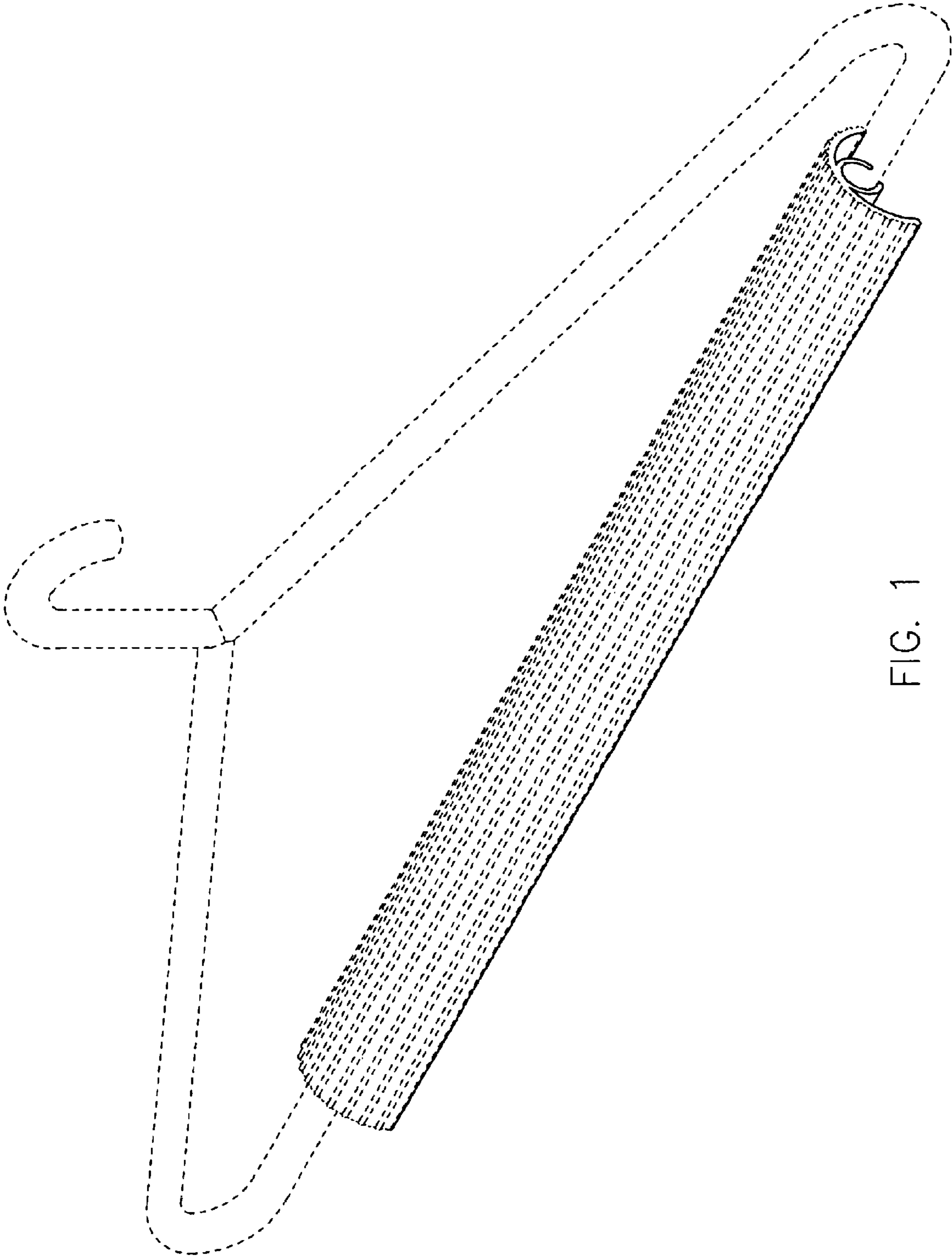


FIG. 1

FIG. 2

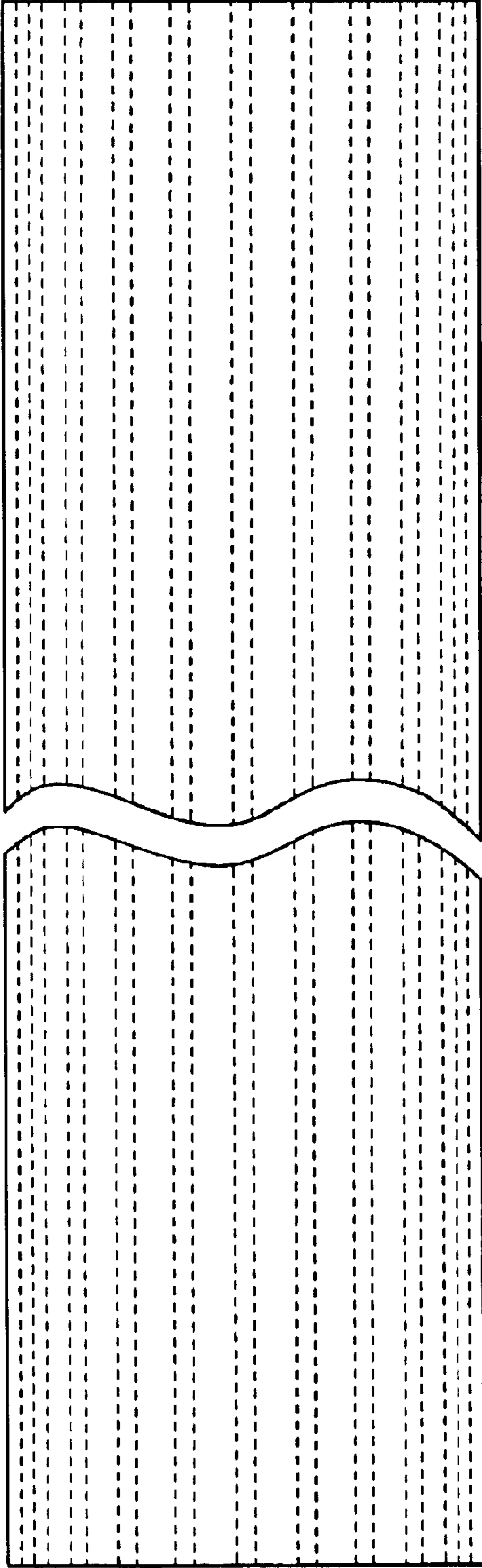


FIG. 3

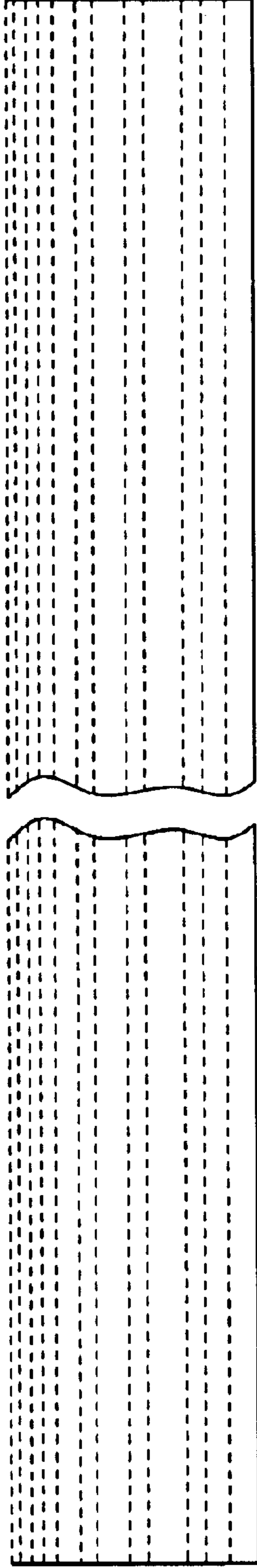


FIG. 4

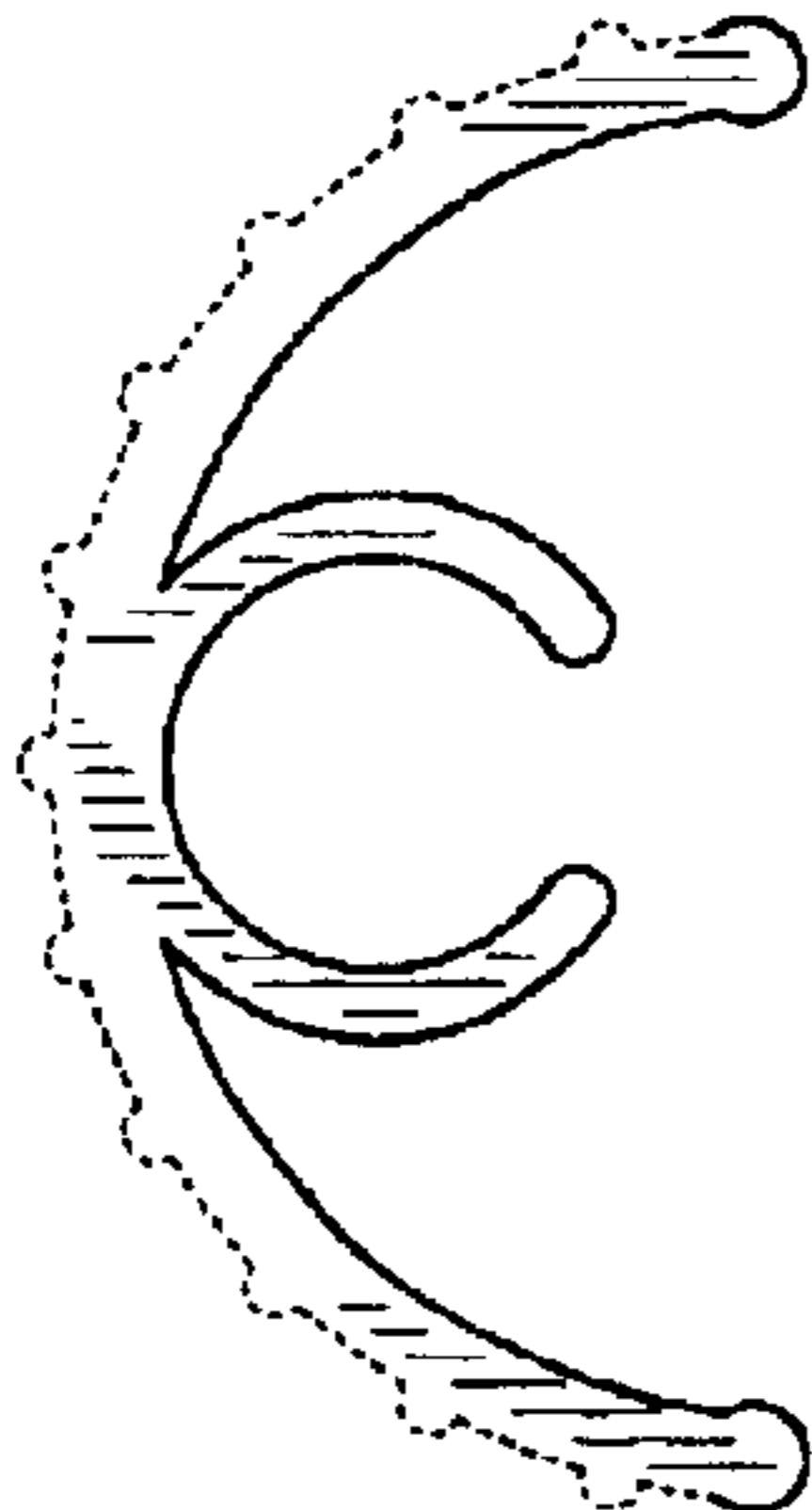


FIG. 5

