



US00D505018S

(12) **United States Design Patent**
Stravitz

(10) **Patent No.:** **US D505,018 S**
(45) **Date of Patent:** **** May 17, 2005**

(54) **DISPLAY FRAME**

(76) **Inventor:** **David M. Stravitz**, 16 Park Ave., Suite 14A, New York, NY (US) 10016

(**) **Term:** **14 Years**

(21) **Appl. No.:** **29/209,656**

(22) **Filed:** **Jul. 19, 2004**

Related U.S. Application Data

(62) Division of application No. 29/199,491, filed on Feb. 13, 2004, which is a division of application No. 29/179,304, filed on Apr. 8, 2003, now Pat. No. Des. 488,627, which is a division of application No. 29/152,861, filed on Oct. 25, 2001, now Pat. No. Des. 476,818.

(51) **LOC (7) Cl.** **06-07**

(52) **U.S. Cl.** **D6/300; D6/310; D6/314**

(58) **Field of Search** **D6/300-303, 308-314; 40/700, 714, 715, 735, 721-722, 737-739, 790, 798, 800, 724, 759, 765, 766, 767; 359/838, 850, 854, 855; 248/489**

(56) **References Cited**

U.S. PATENT DOCUMENTS

2,402,717 A 6/1946 Winer
D183,774 S 10/1958 Stefanakis
2,952,431 A 9/1960 Pedley

D196,368 S 9/1963 Isaia
D198,853 S 8/1964 Hoshour
4,065,091 A 12/1977 Ulrich
D278,496 S 4/1985 Hausman
D476,818 S * 7/2003 Stravitz D6/300
D488,627 S 4/2004 Stravitz

OTHER PUBLICATIONS

Display Innovations in Acrylic, p. 4, Sign holder at top and center.

* cited by examiner

Primary Examiner—Janice E. Seeger

(74) *Attorney, Agent, or Firm*—Frishauf, Holtz, Goodman & Chick, P.C.

(57) **CLAIM**

The ornamental design for a display frame, as shown.

DESCRIPTION

FIG. 1 is a front, right side perspective view of a display frame showing my new design;

FIG. 2 is a front elevational view thereof;

FIG. 3 is a left side elevational view thereof;

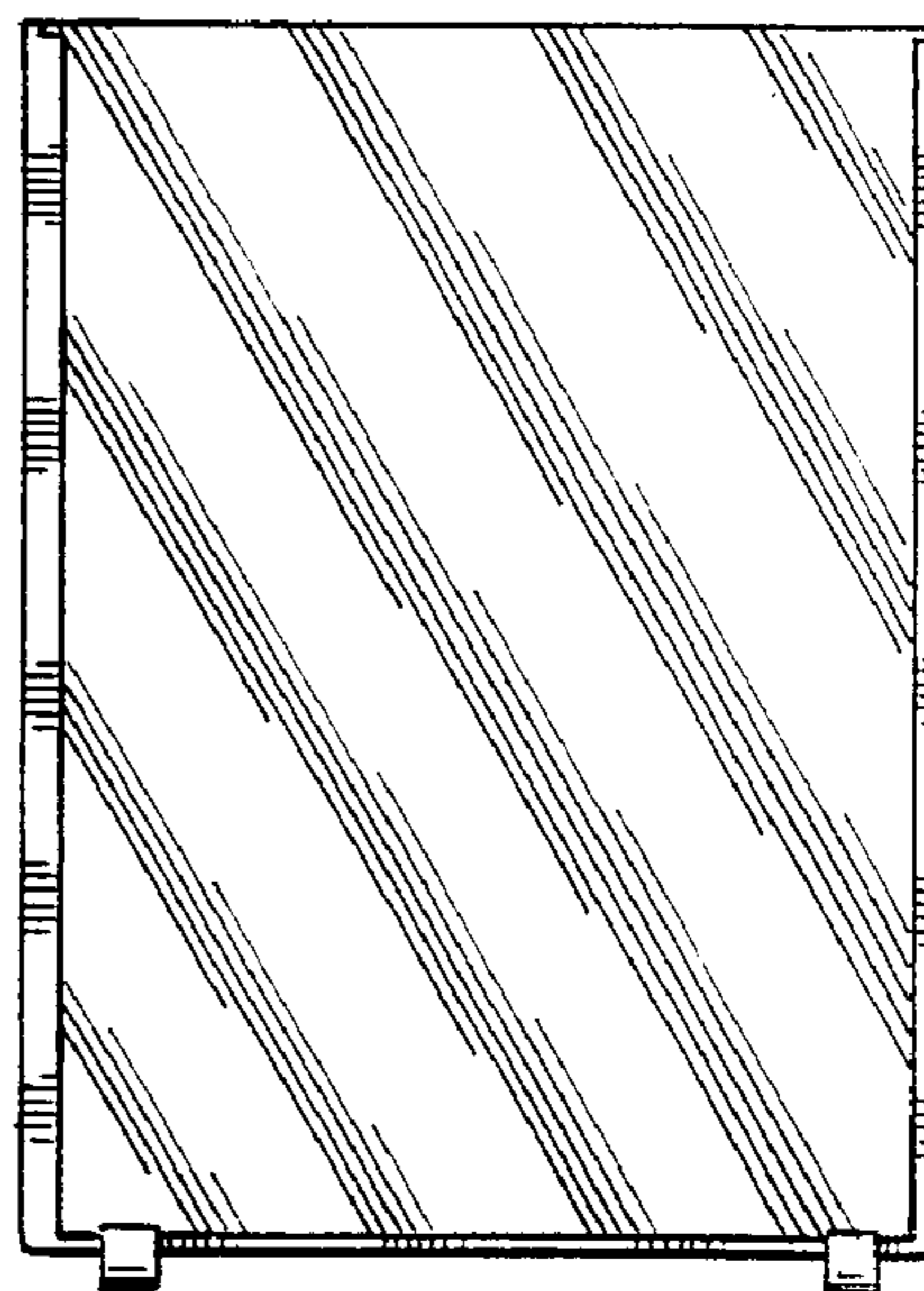
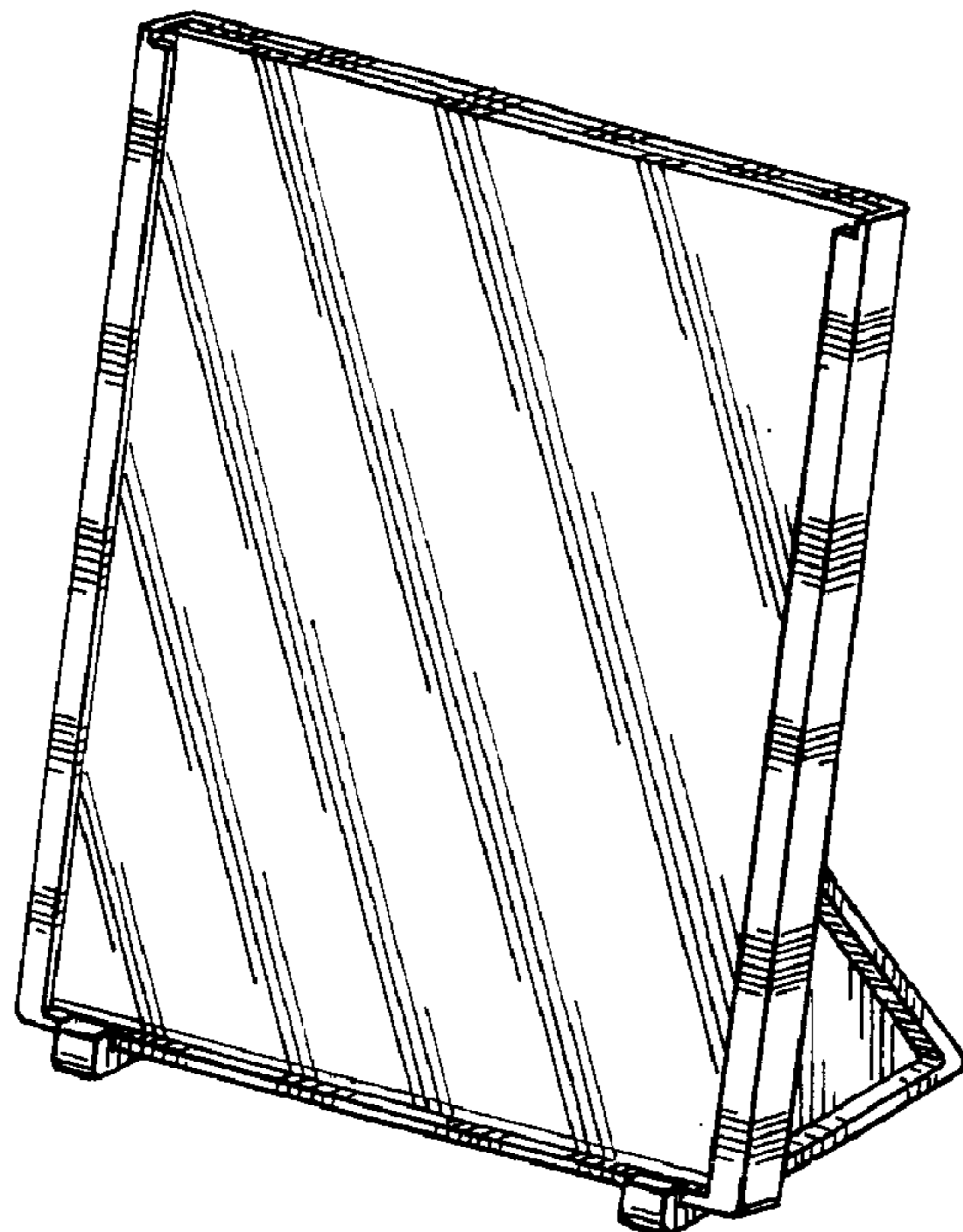
FIG. 4 is a right side elevational view thereof;

FIG. 5 is a top plan view thereof;

FIG. 6 is a bottom plan view thereof; and,

FIG. 7 is a rear elevational view thereof.

1 Claim, 2 Drawing Sheets



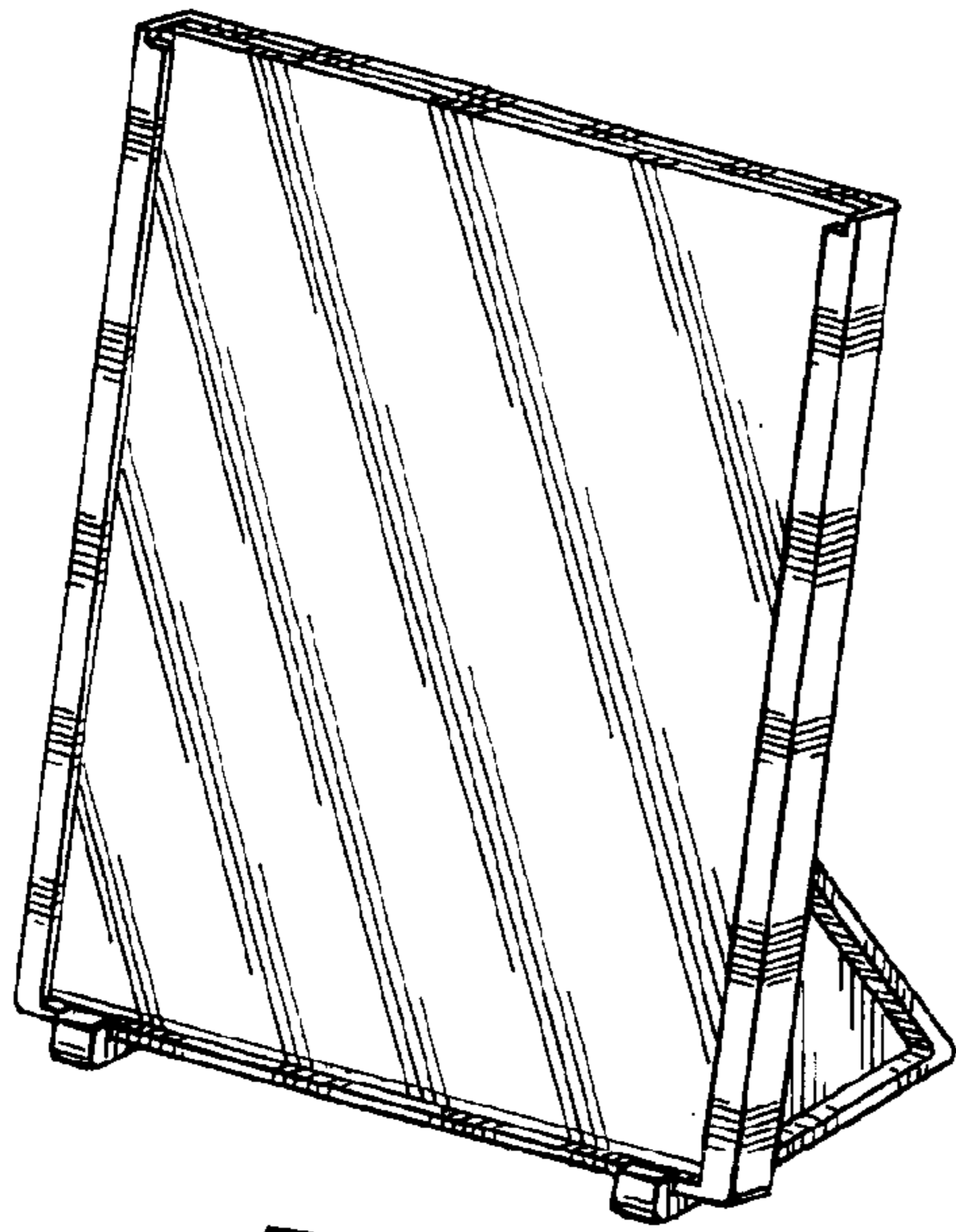


Fig. 1

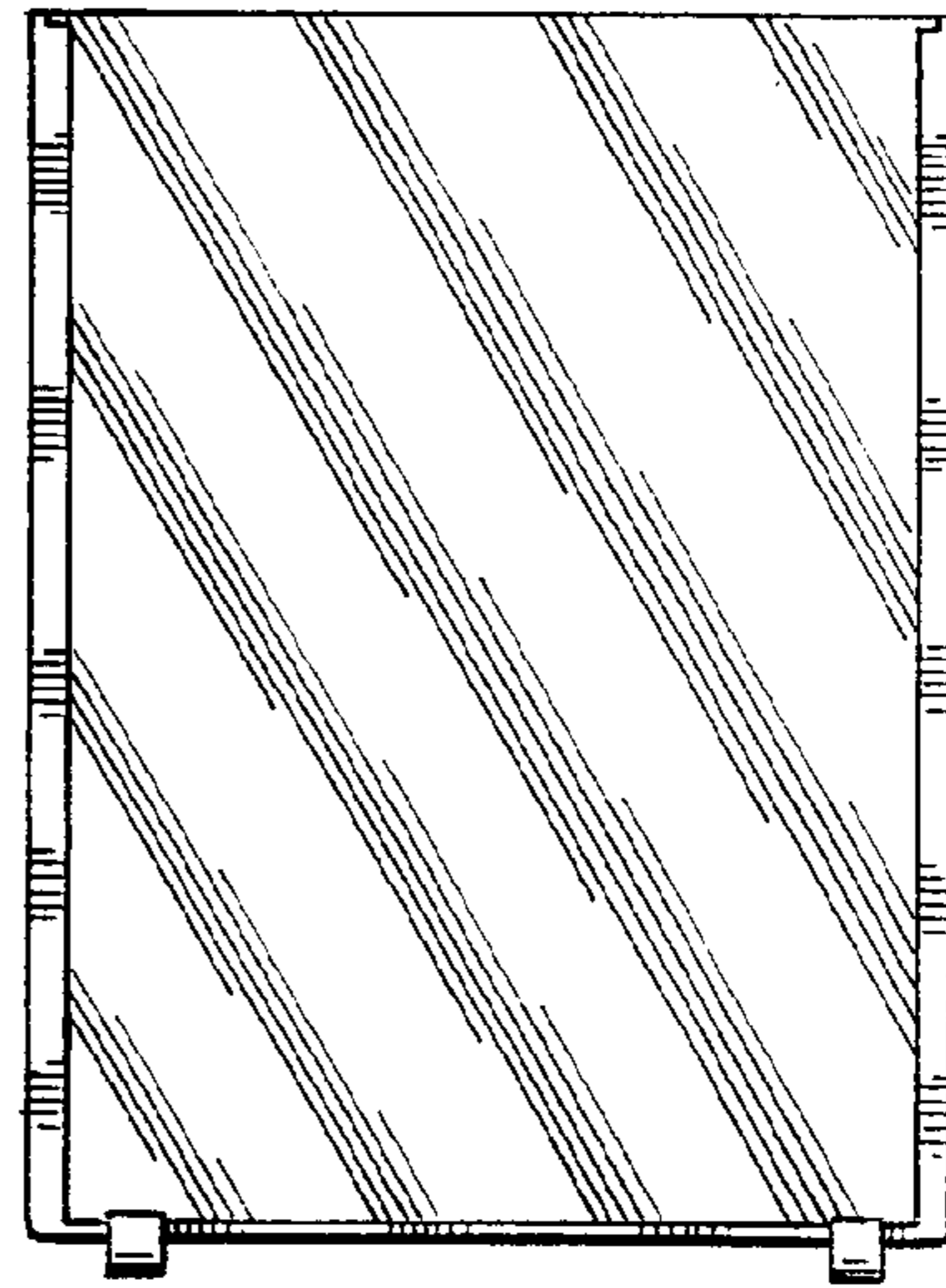


Fig. 2

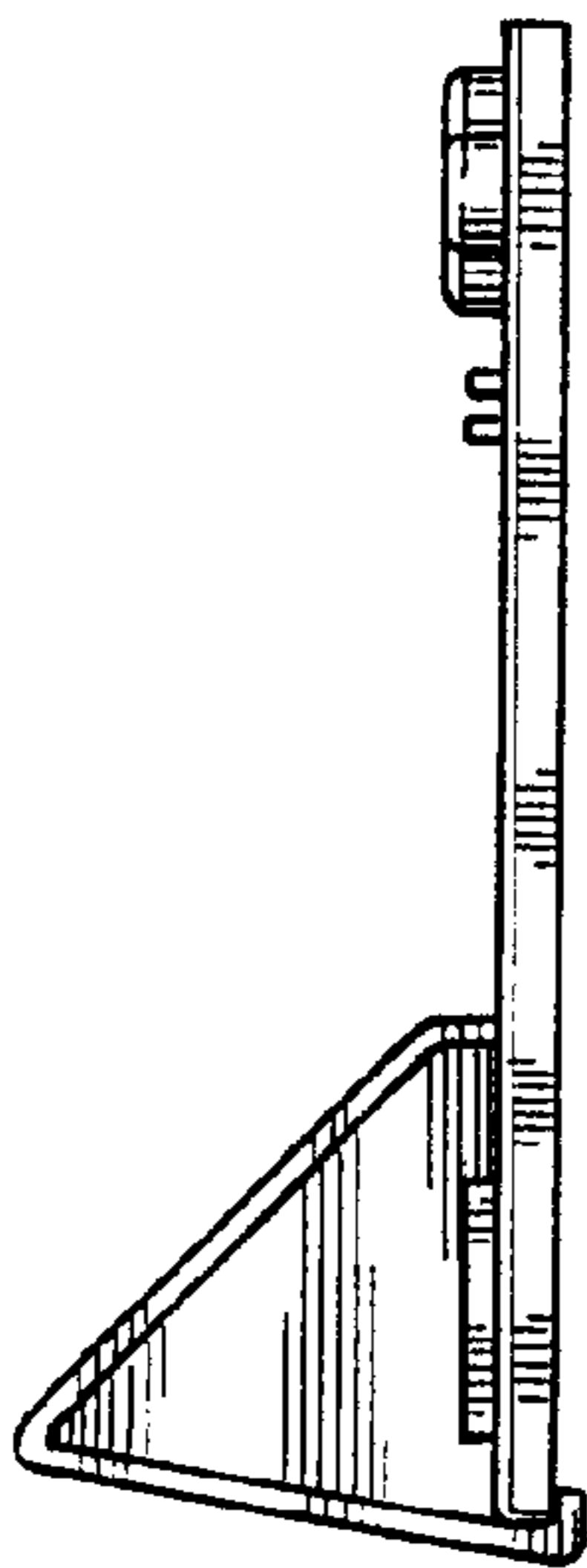


Fig. 3

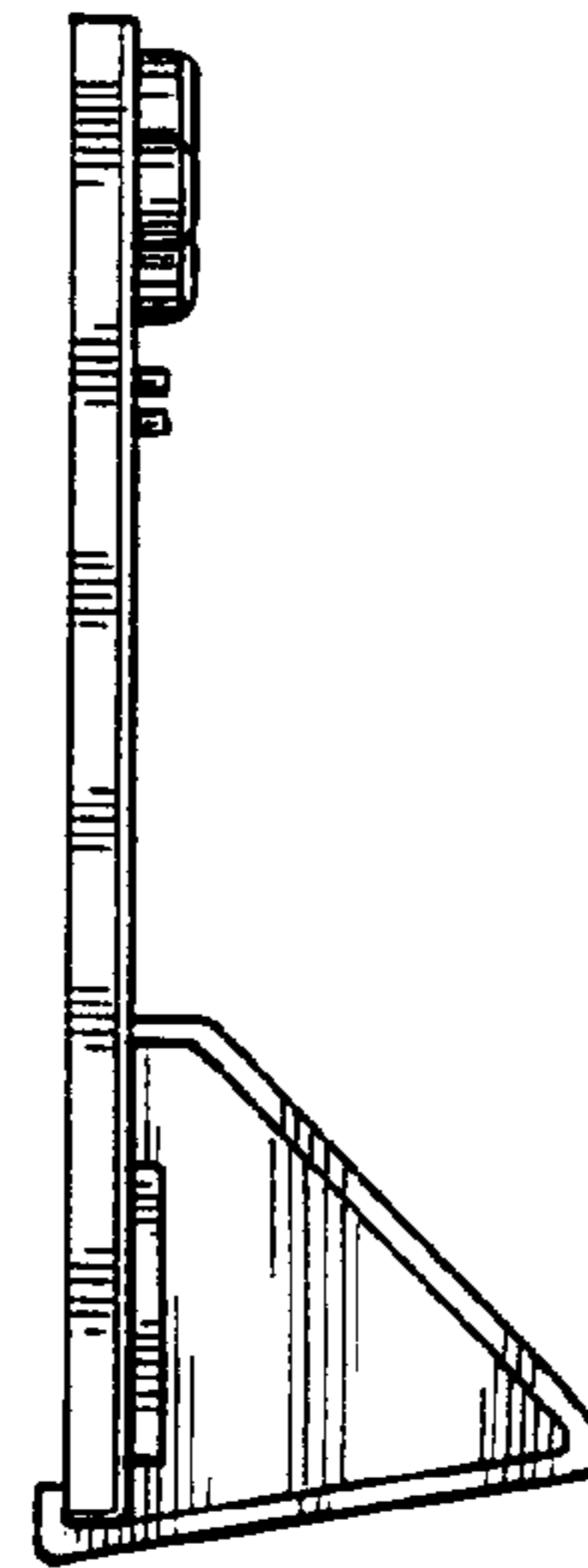


Fig. 4



Fig. 5

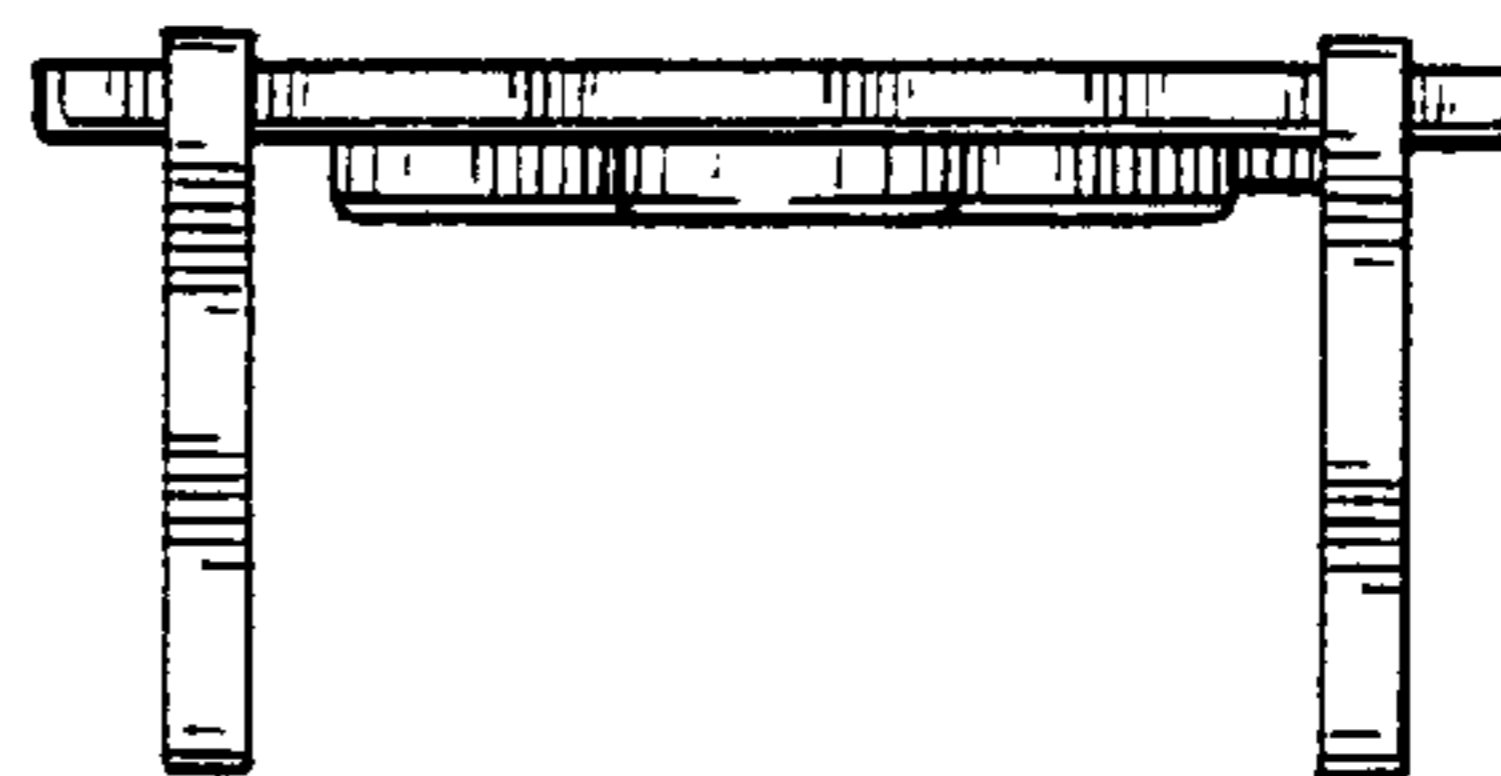


Fig. 6

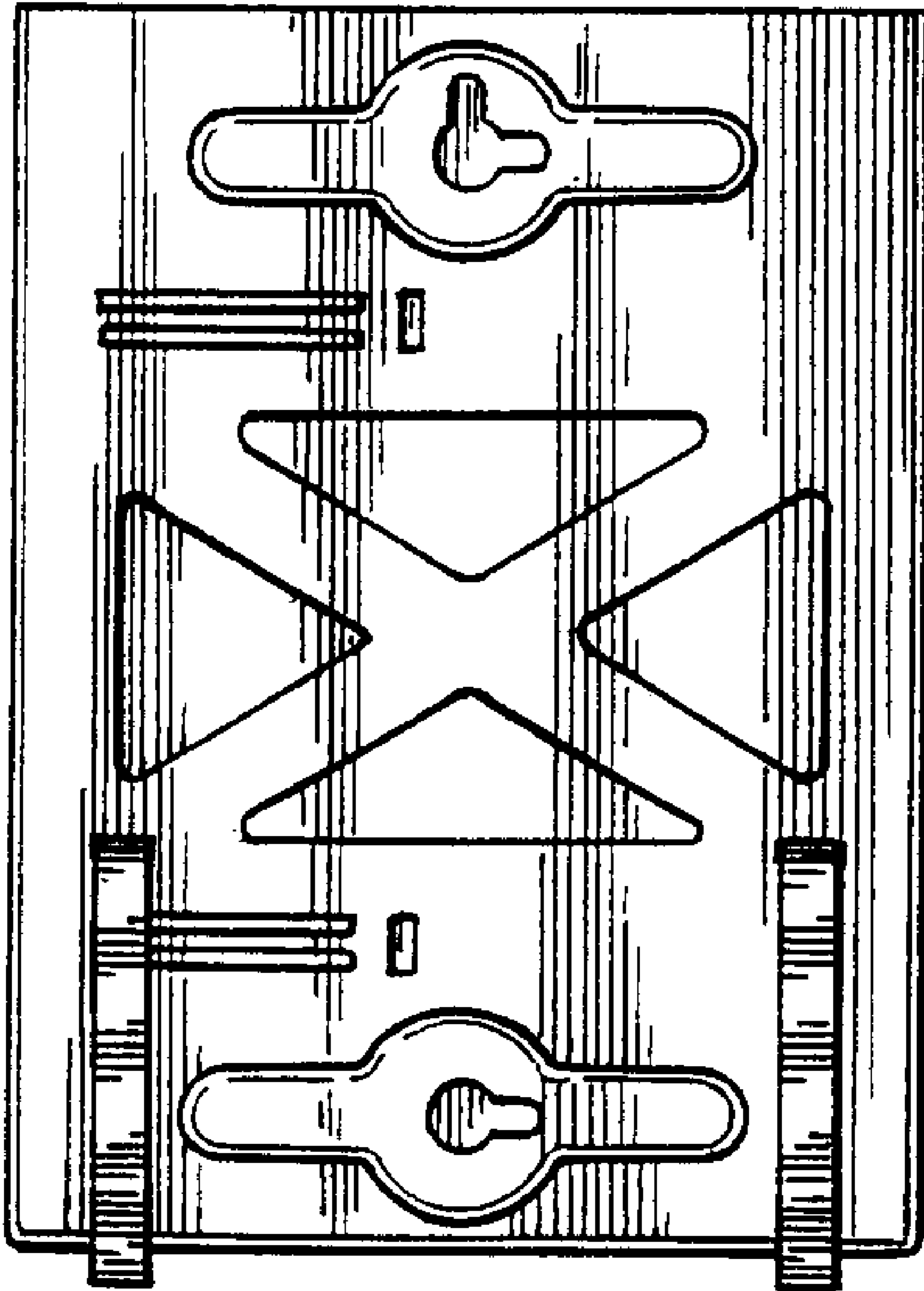


Fig. 7