

US00D504998S

(12) **United States Design Patent**
McClaskie

(10) **Patent No.:** **US D504,998 S**
(45) **Date of Patent:** **** May 17, 2005**

(54) **OUTSOLE**
(75) **Inventor:** **Thomas E. McClaskie**, Bethlehem, PA
(US)
(73) **Assignee:** **Columbia Insurance Co.**, Omaha, NE
(US)

(**) **Term:** **14 Years**

(21) **Appl. No.:** **29/181,561**

(22) **Filed:** **May 13, 2003**

(51) **LOC (7) Cl.** **02-04**

(52) **U.S. Cl.** **D2/959; D2/951; D2/953;**
D2/954

(58) **Field of Search** **D2/902, 946-949,**
D2/951-960; 36/3 B, 22 R, 25 R, 32 A,
32 R

(56) **References Cited**

U.S. PATENT DOCUMENTS

D331,490 S	*	12/1992	Bramani	D2/960
D370,993 S	*	6/1996	Mangee	D2/959
D386,288 S	*	11/1997	Merceron	D2/953
D387,546 S	*	12/1997	Pearce	D2/951
D390,351 S	*	2/1998	Nevens et al.	D2/960
D398,440 S	*	9/1998	Rowland	D2/951
D419,283 S	*	1/2000	Coito	D2/917
D426,947 S	*	6/2000	Pollastrelli	D2/956
D429,408 S	*	8/2000	Gillespie	D2/951
D447,853 S	*	9/2001	Merceron	D2/956
D449,155 S	*	10/2001	McClaskie	D2/957
D449,157 S	*	10/2001	McClaskie	D2/960

D455,002 S	*	4/2002	Holden	
D457,292 S	*	5/2002	Sessa D2/949
6,578,290 B1	*	6/2003	Meynard 36/103
D476,798 S	*	7/2003	Reynolds et al. D2/951
D481,200 S	*	10/2003	Belley et al. D2/947
D482,851 S	*	12/2003	McClaskie	

* cited by examiner

Primary Examiner—Celia A. Murphy
(74) *Attorney, Agent, or Firm*—St. Onge Steward Johnston
& Reens LLC

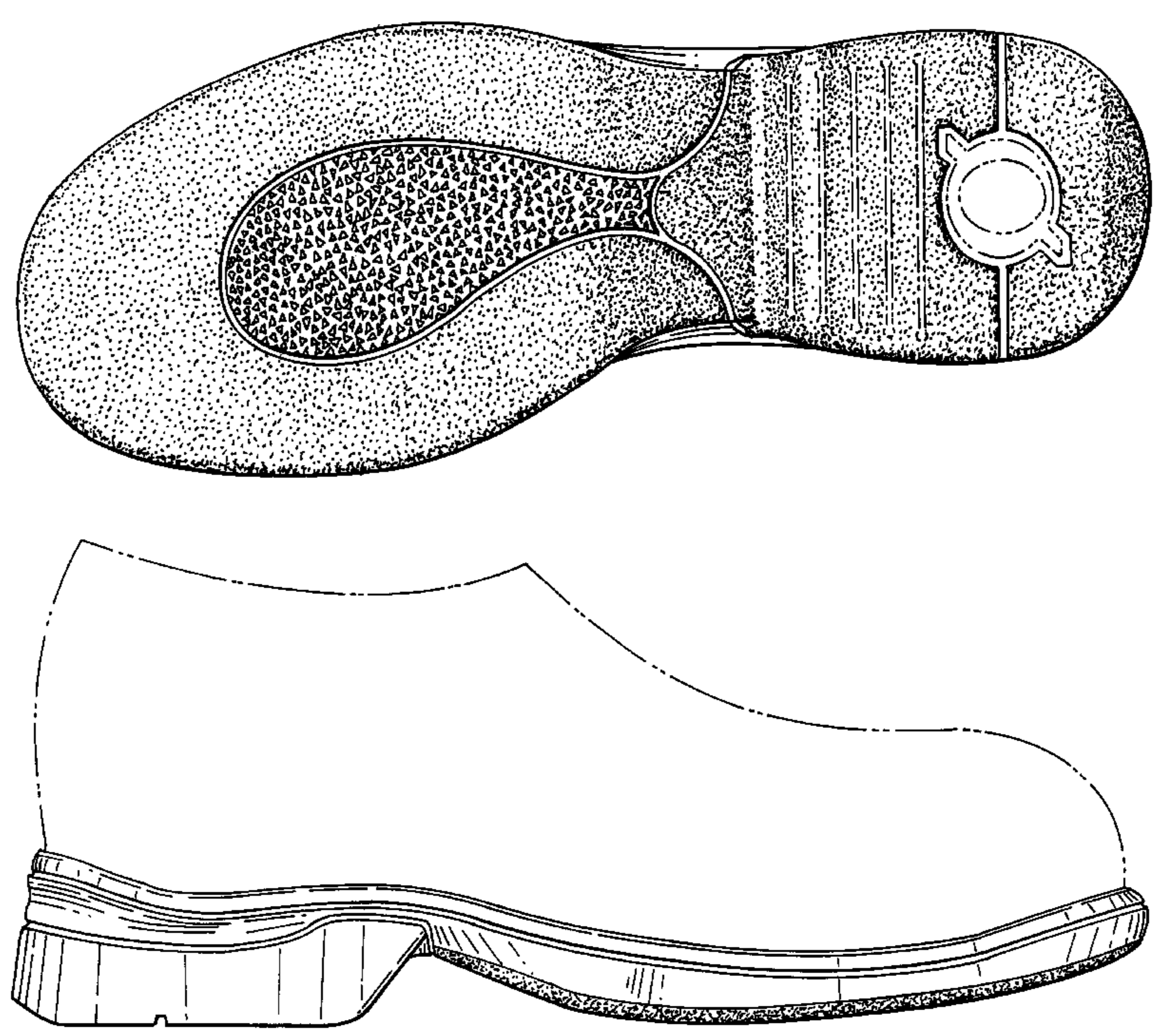
(57) **CLAIM**

I claim the ornamental design for an outsole, as shown and described.

DESCRIPTION

FIG. 1 is a bottom plan view of an outsole showing my new design;
FIG. 2 is a left side view of the outsole shown in FIG. 1;
FIG. 3 is a right side view of the outsole shown in FIGS. 1-2;
FIG. 4 is a front view of the outsole shown in FIGS. 1-3; and,
FIG. 5 is a rear elevational view of FIGS. 1-4.
The broken lines showing a shoe upper, and a substantially circular broken line-shape, represent the portions of the design that form no part of the claim. In FIG. 1, the 5 broken line strips and the solid outline showing a circular shape with 2 protuberances represent the internal boundaries of the claimed design. The broken lines and the areas within the boundaries, form no part of the claim.

1 Claim, 4 Drawing Sheets



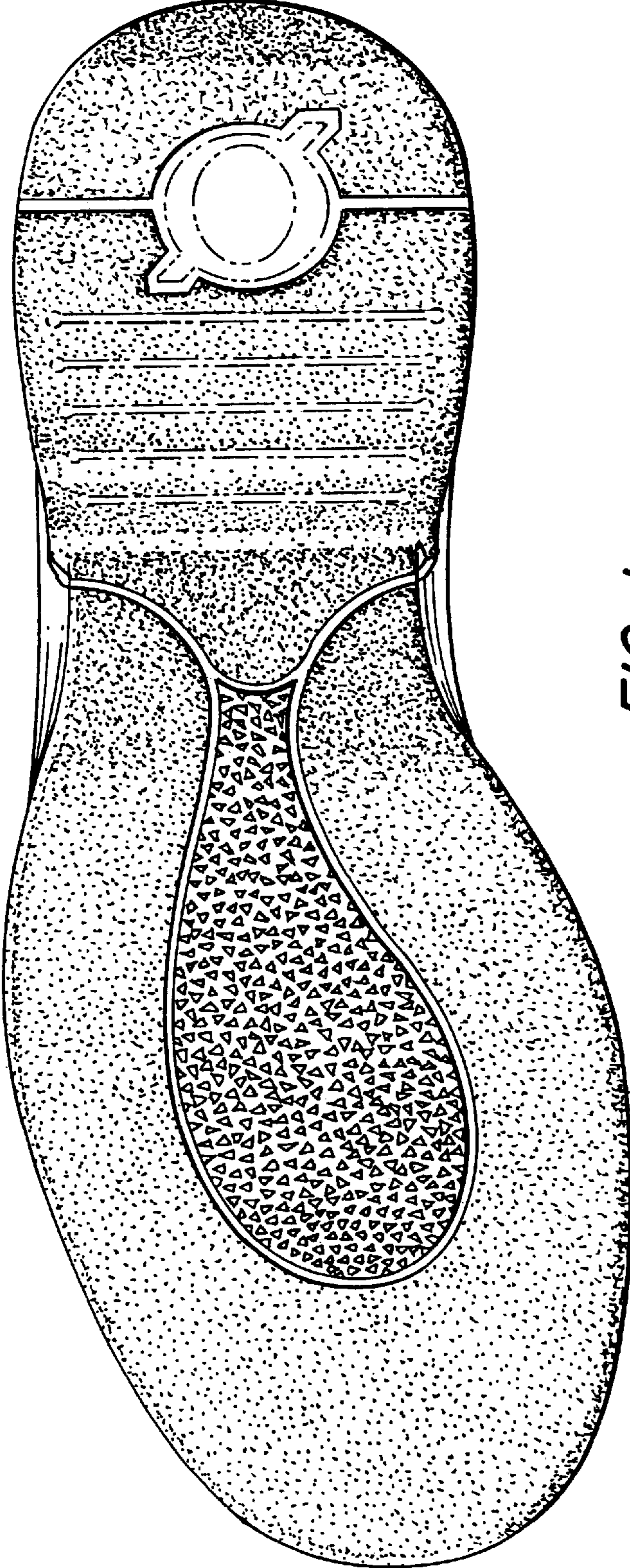


FIG. 1

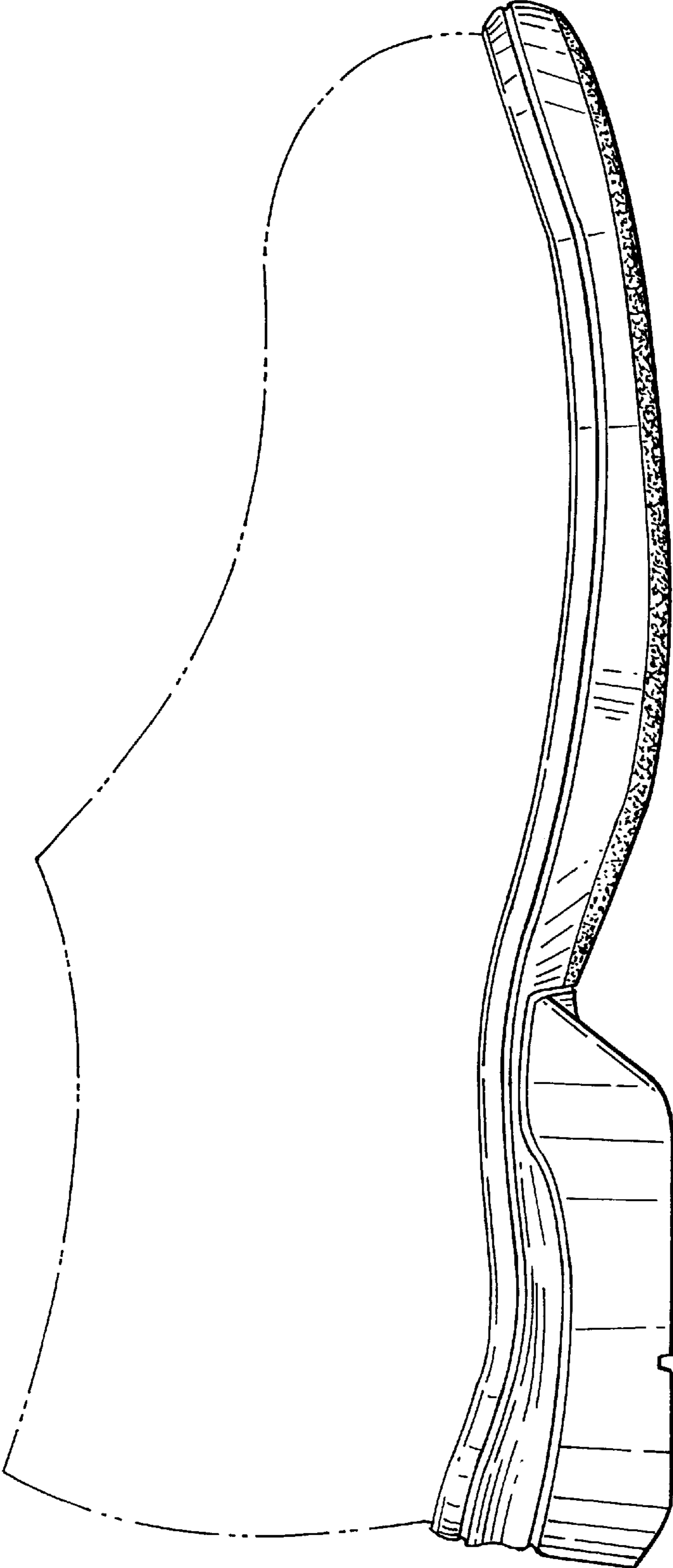


FIG. 2

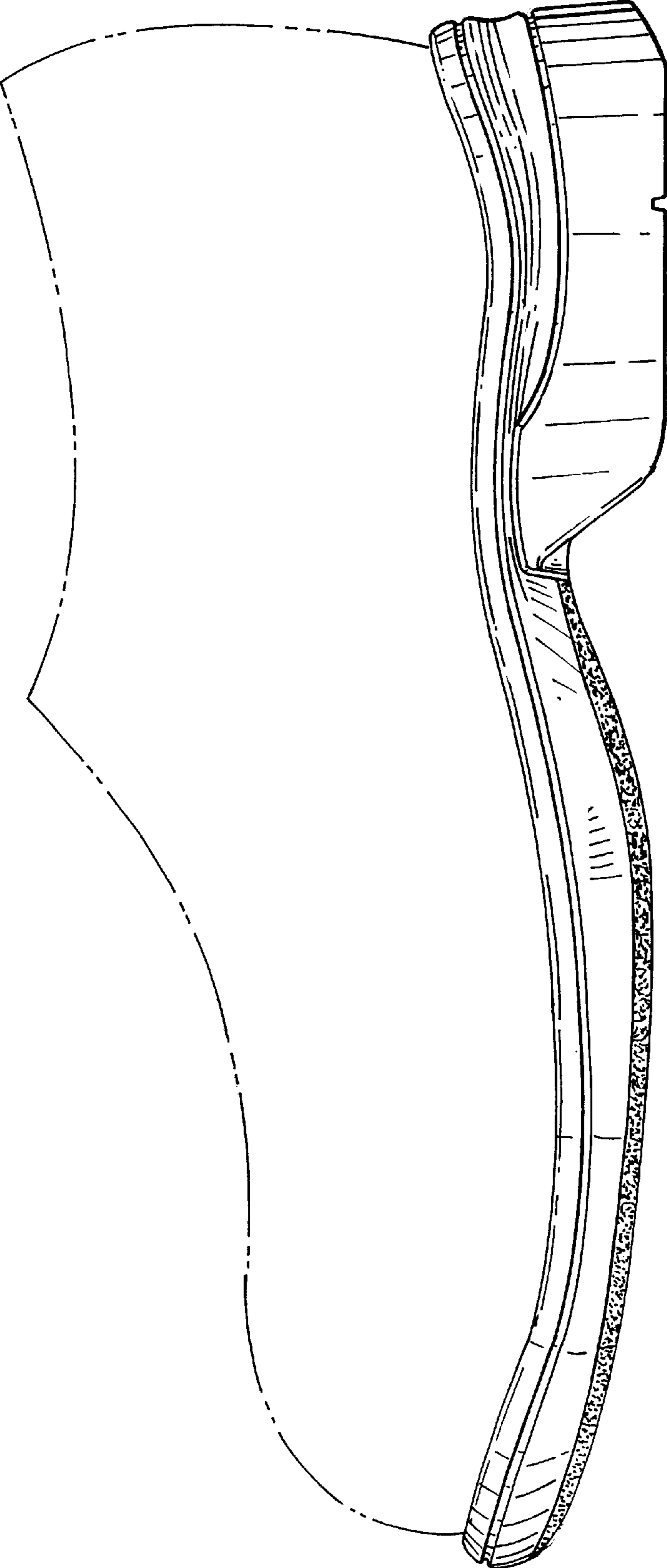


FIG. 3

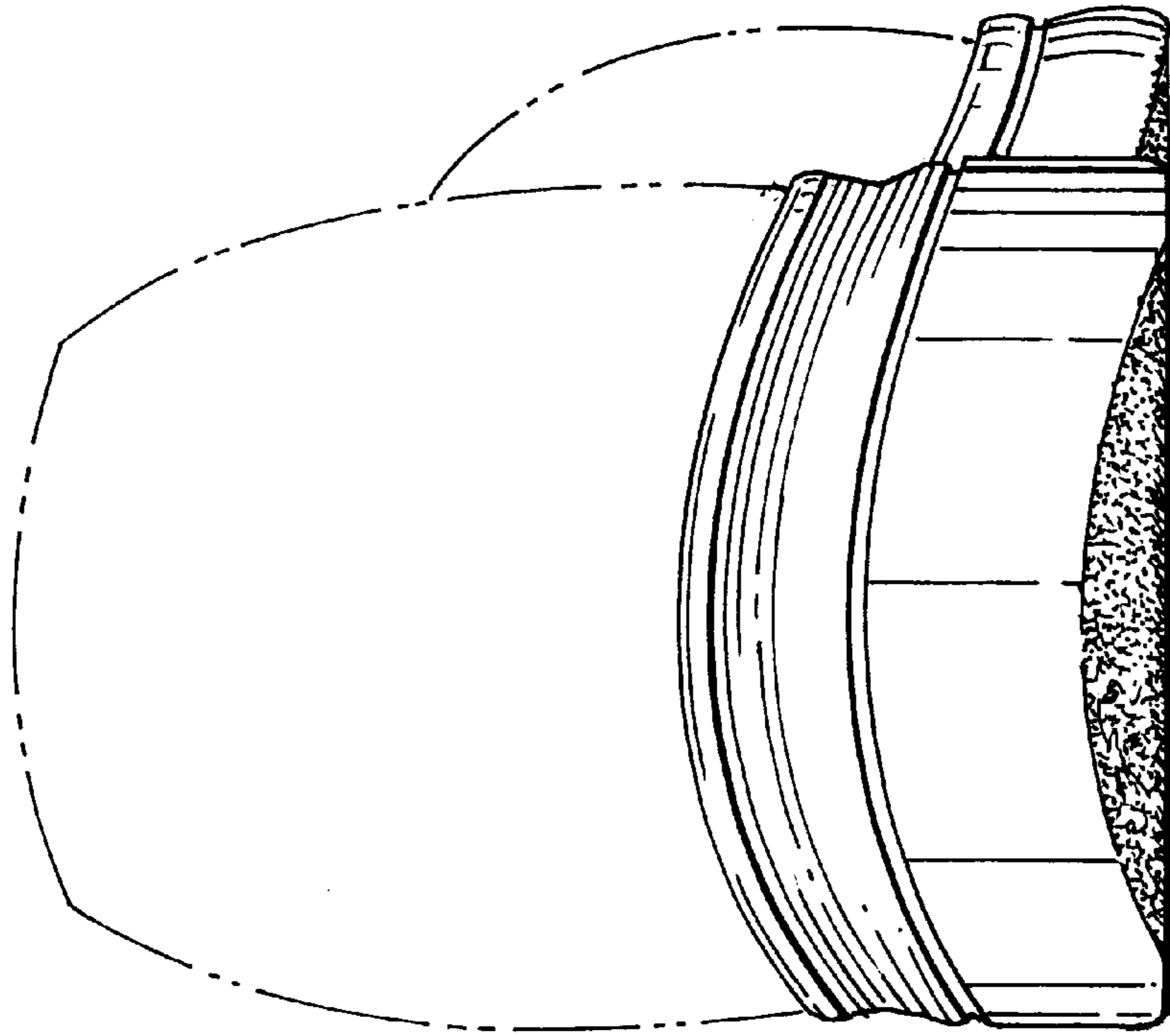


FIG. 5

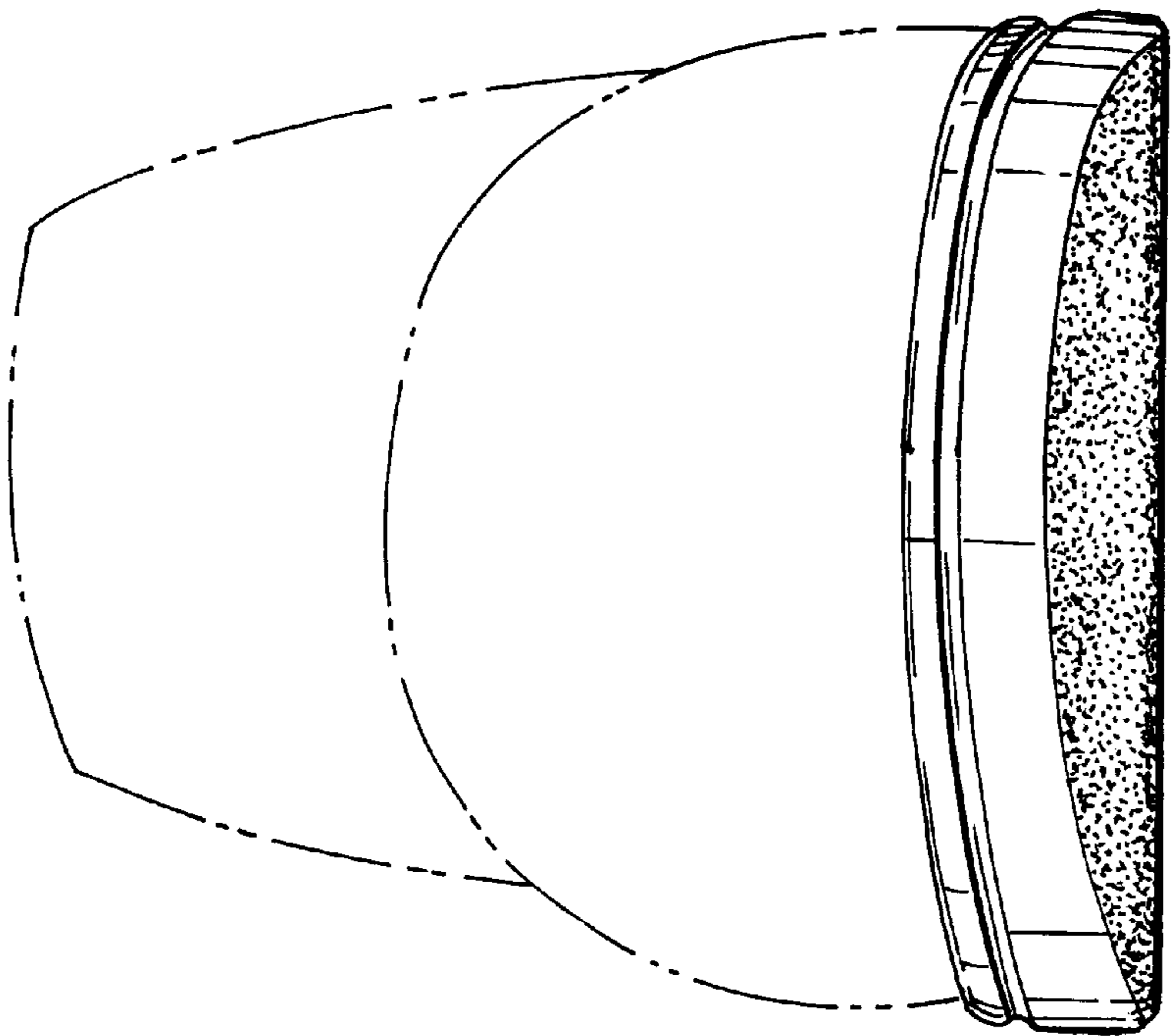


FIG. 4