

US00D504997S

(12) **United States Design Patent**
Burchett

(10) **Patent No.:** **US D504,997 S**

(45) **Date of Patent:** **** May 17, 2005**

(54) **HOUSE SLIPPERS**

(76) **Inventor:** **Lyle K. Burchett**, 5200 S. Youngs Blvd., Oklahoma City, OK (US) 73119

(**) **Term:** **14 Years**

(21) **Appl. No.:** **29/191,954**

(22) **Filed:** **Oct. 16, 2003**

(51) **LOC (7) Cl.** **02-04**

(52) **U.S. Cl.** **D2/919; D2/898; D2/920**

(58) **Field of Search** **D2/896-898, 919-920; 36/9 R, 10**

(56) **References Cited**

U.S. PATENT DOCUMENTS

| | | | | | |
|------------|---|---------|-----------------|-------|--------|
| D80,809 S | * | 3/1930 | Schaffner | | D2/898 |
| D159,921 S | * | 8/1950 | Perry | | D2/897 |
| D161,706 S | | 1/1951 | Paly | | |
| D294,765 S | * | 3/1988 | Otto | | D2/898 |
| D320,321 S | | 10/1991 | Terrell | | |
| D332,173 S | | 1/1993 | Bumb | | |
| D417,771 S | | 12/1999 | Blanco | | |
| D419,754 S | | 2/2000 | Vectirelis, Jr. | | |
| D434,893 S | * | 12/2000 | Blanco | | D2/898 |
| D438,693 S | | 3/2001 | Martin | | |
| D446,910 S | | 8/2001 | Blanco | | |

D452,604 S 1/2002 Blanco
D471,345 S 3/2003 Teet

* cited by examiner

Primary Examiner—Dominic Simone
(74) *Attorney, Agent, or Firm*—Randal D. Homburg

(57) **CLAIM**

The ornamental design for house slippers, as shown and described.

DESCRIPTION

FIG. 1 is a perspective view of one of a pair of house slippers.

FIG. 2 is a right side view of the house slipper.

FIG. 3 is a left side view of the house slipper.

FIG. 4 is a top view of the house slipper.

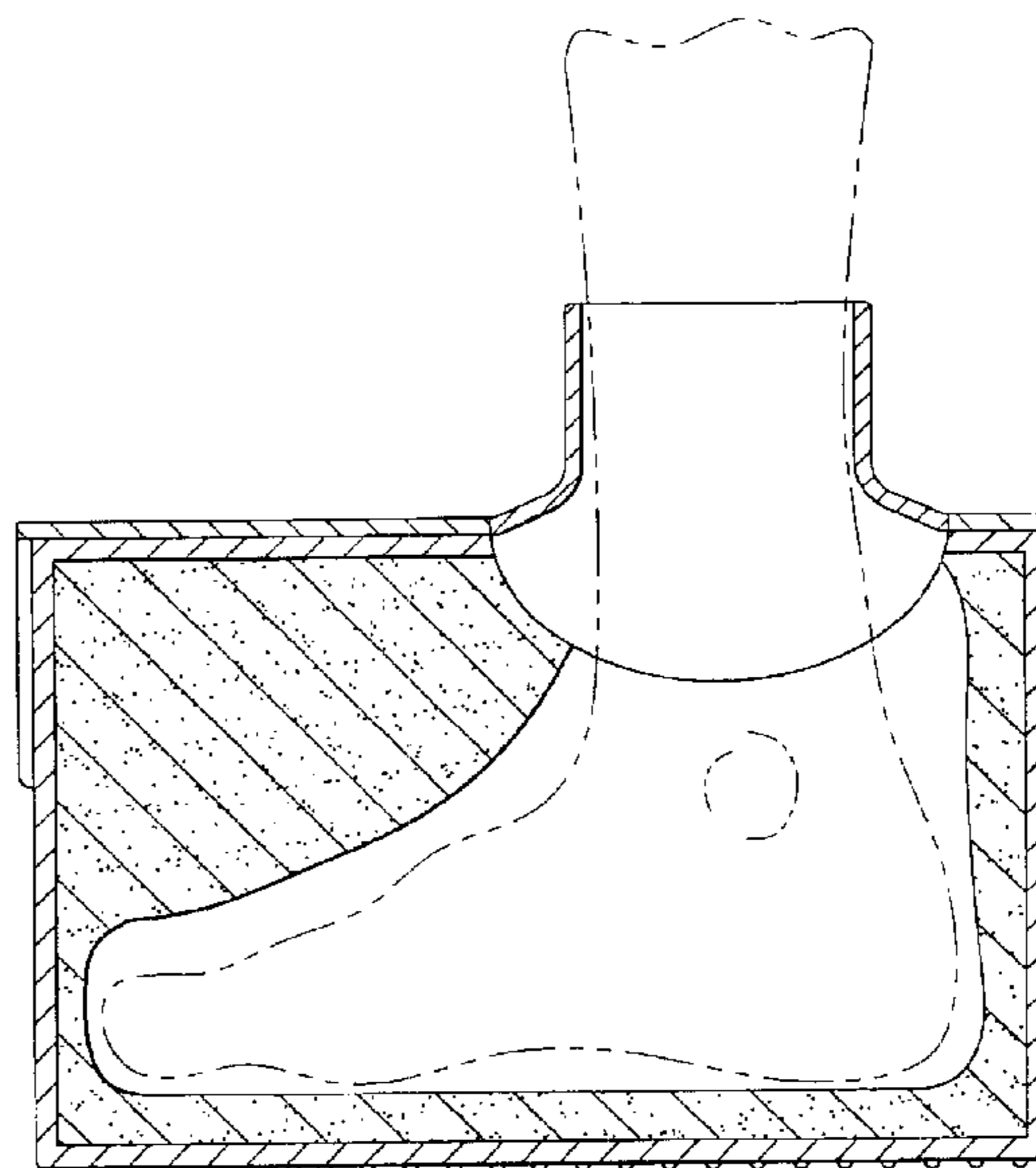
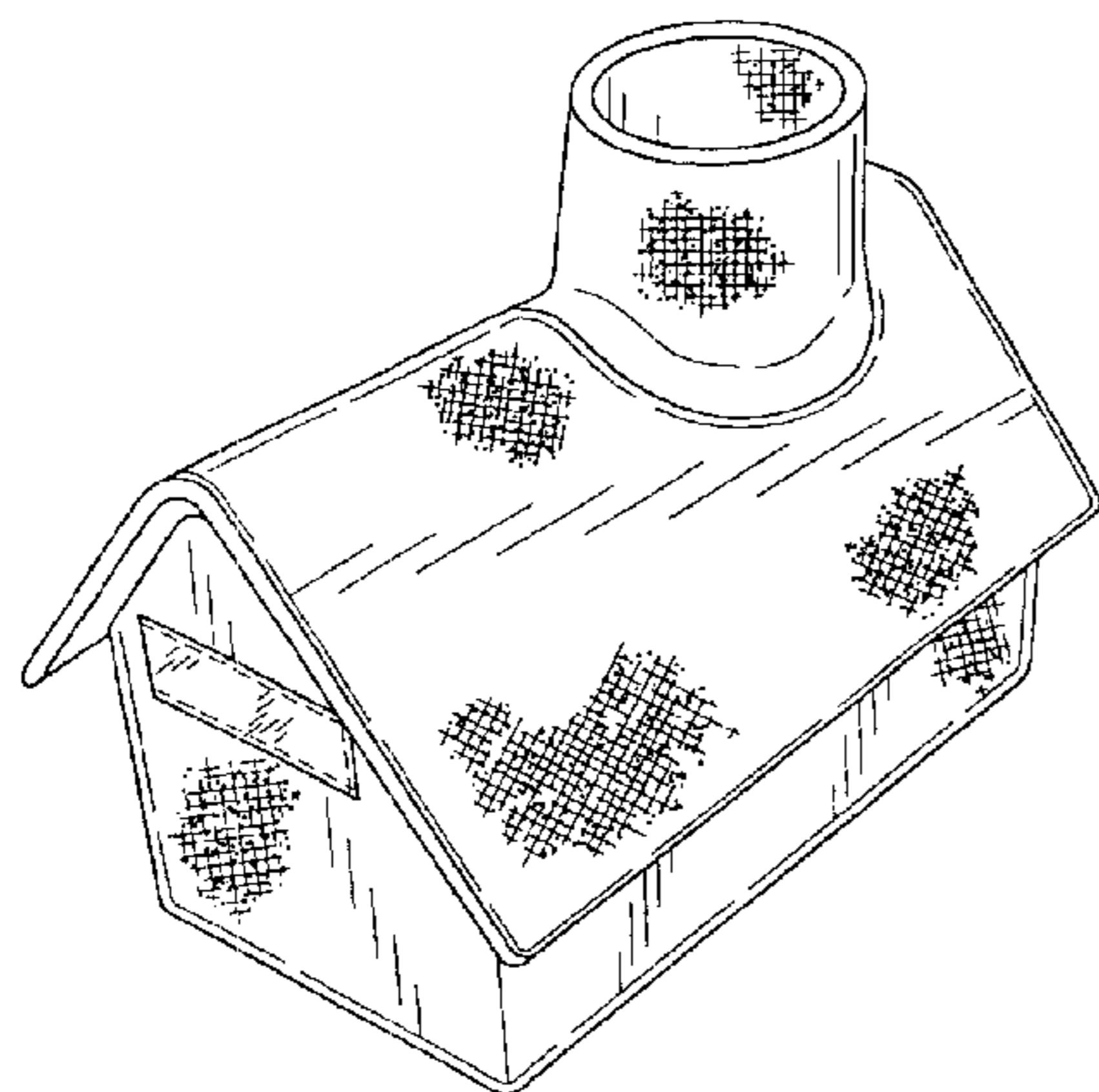
FIG. 5 is a bottom view of the house slipper.

FIG. 6 is a front view of the house slipper, with the personalized name plate attached to the front of the house slipper.

FIG. 7 is a rear view of the house slipper; and,

FIG. 8 is a side cross sectional view of the house slipper along lines 8/8 of FIG. 4, with phantom lines indicating environment, said phantom lines not constituting part of the house slipper.

1 Claim, 4 Drawing Sheets



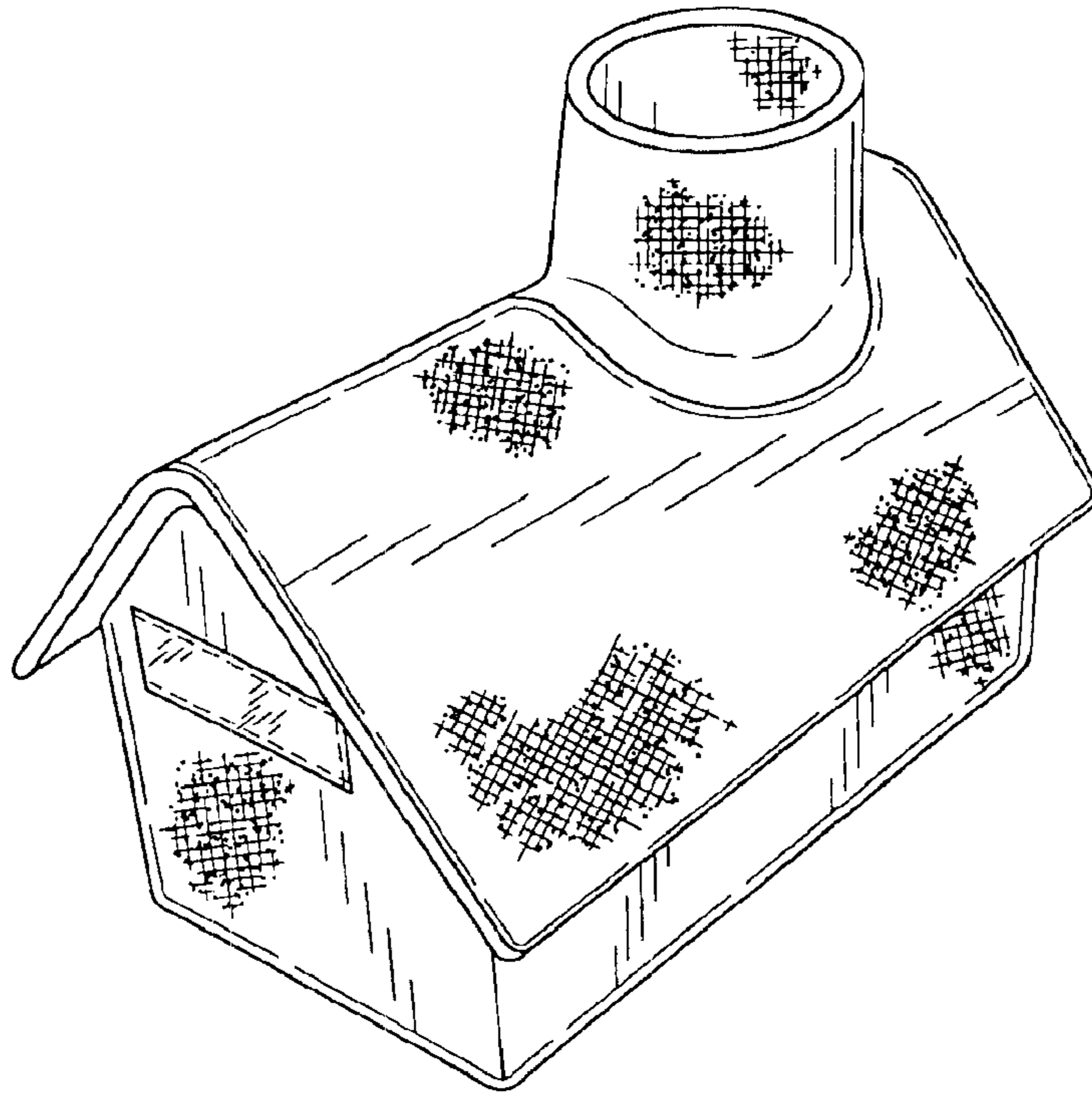


FIG. 1

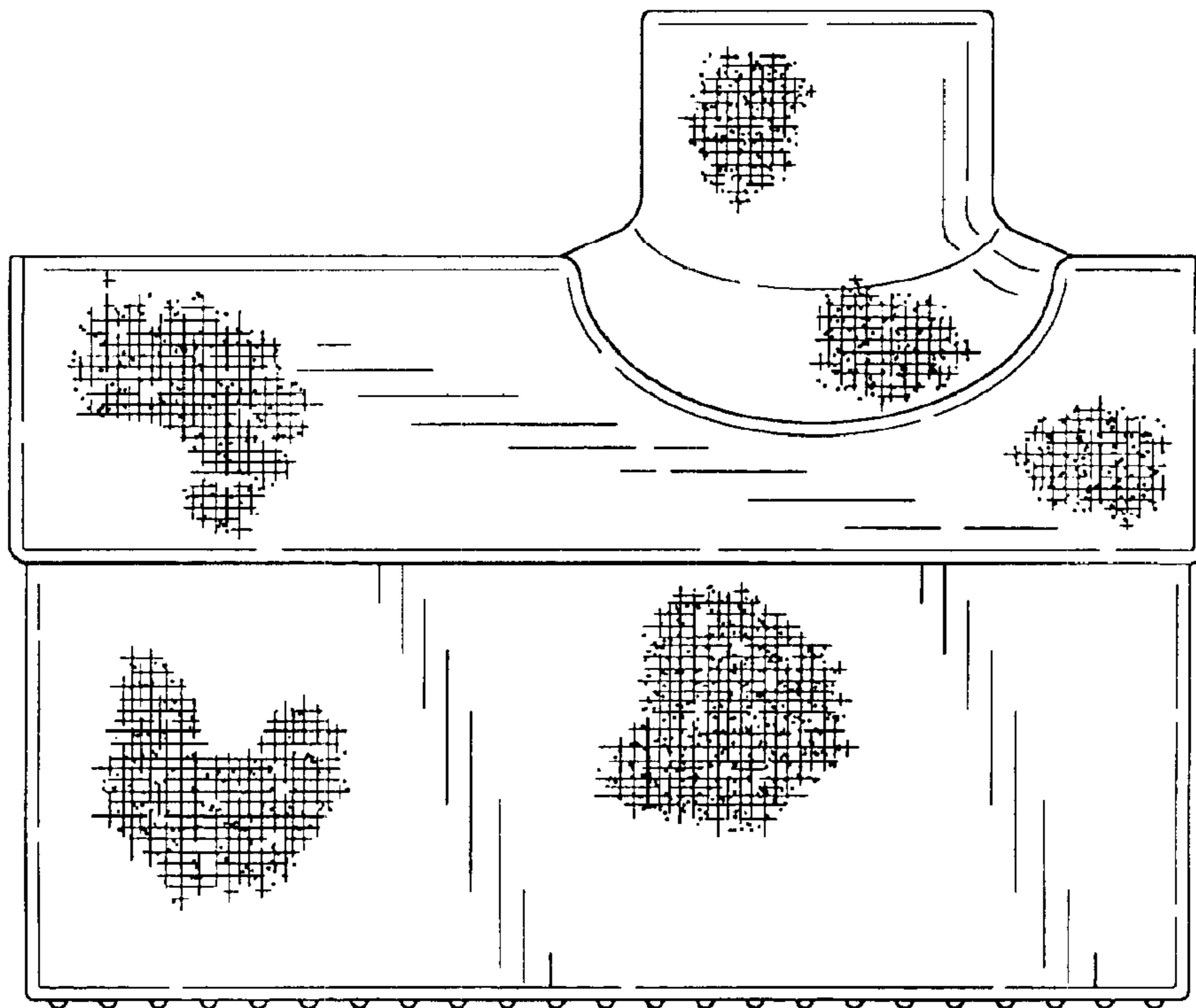


FIG. 2

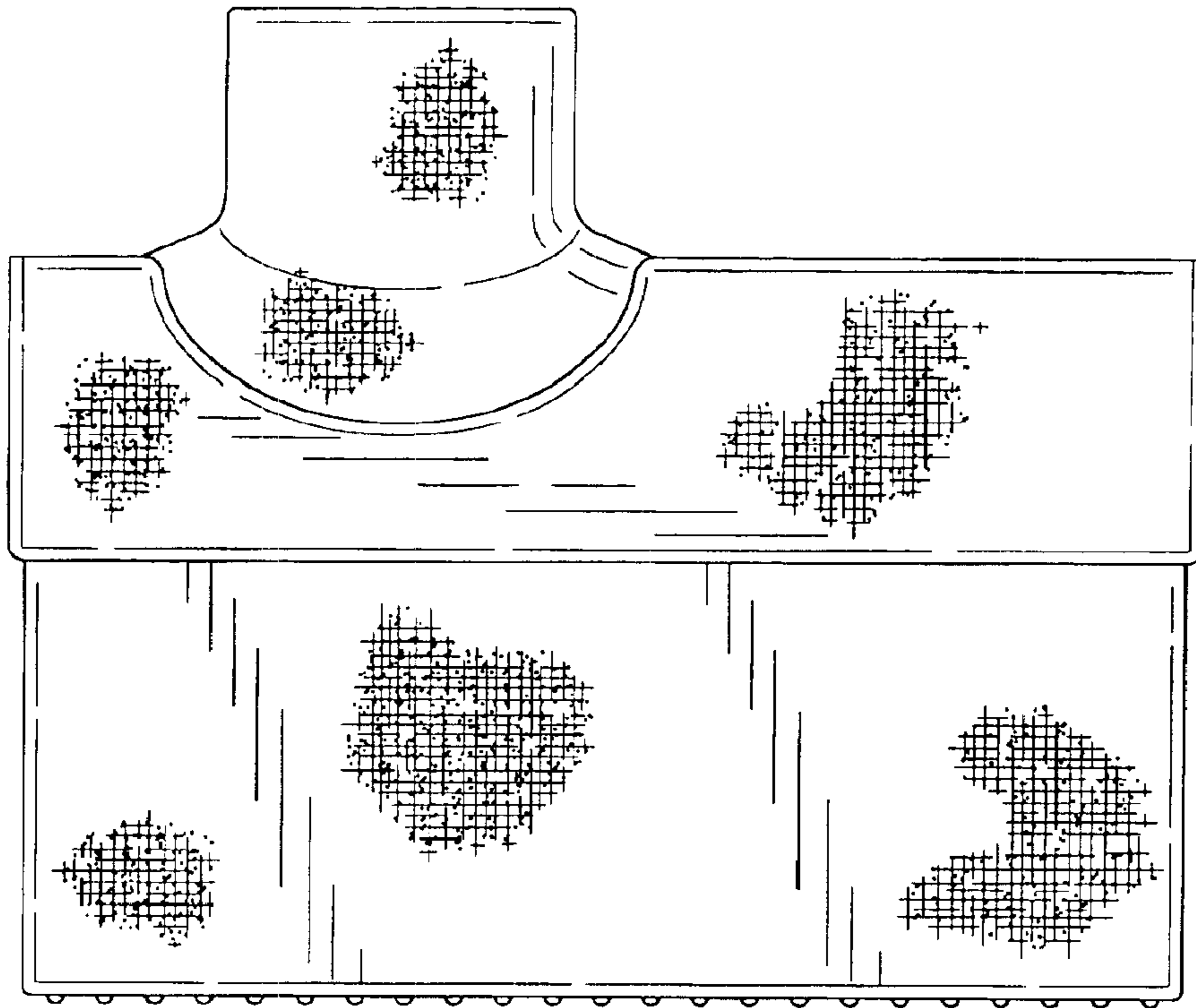


FIG. 3

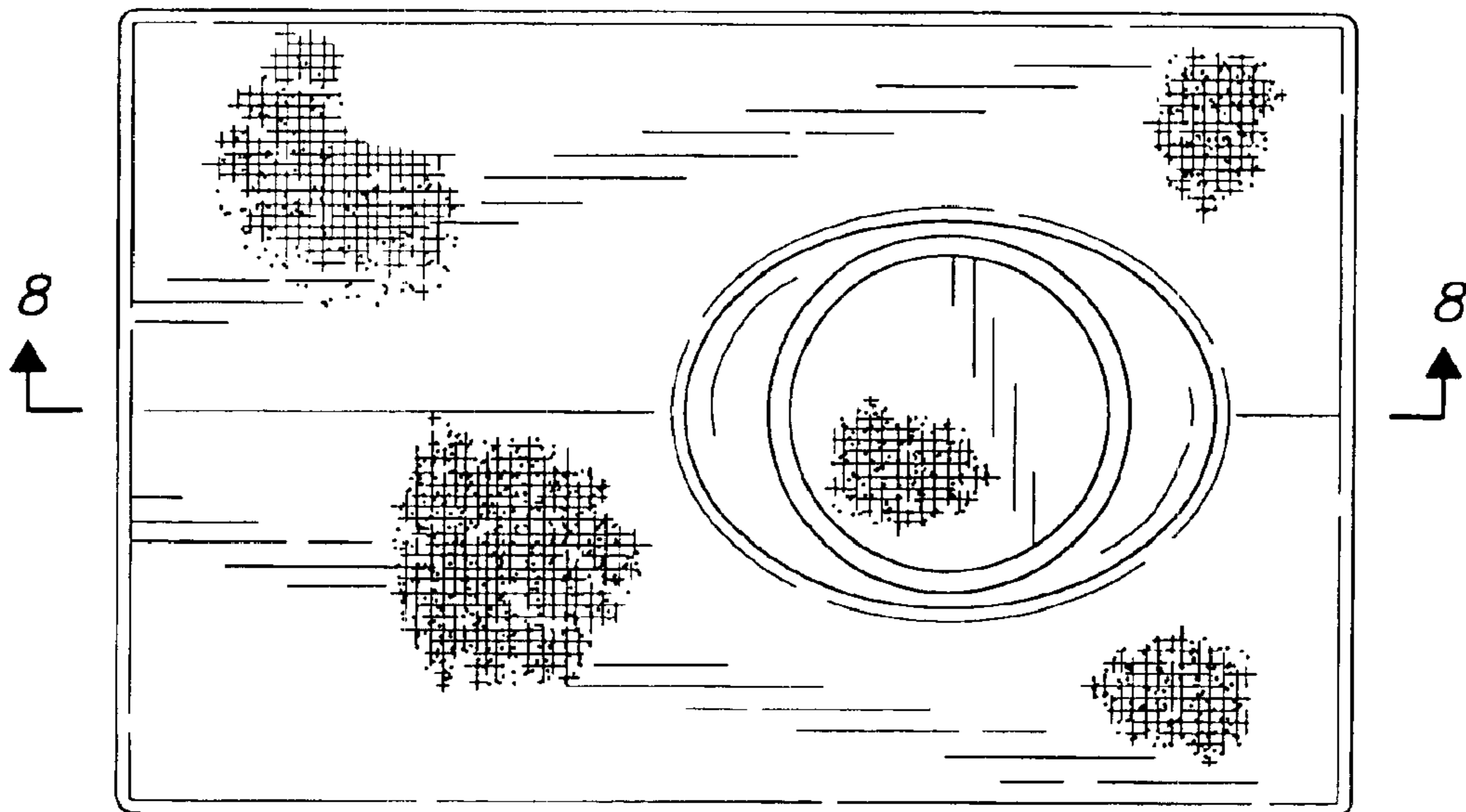


FIG. 4

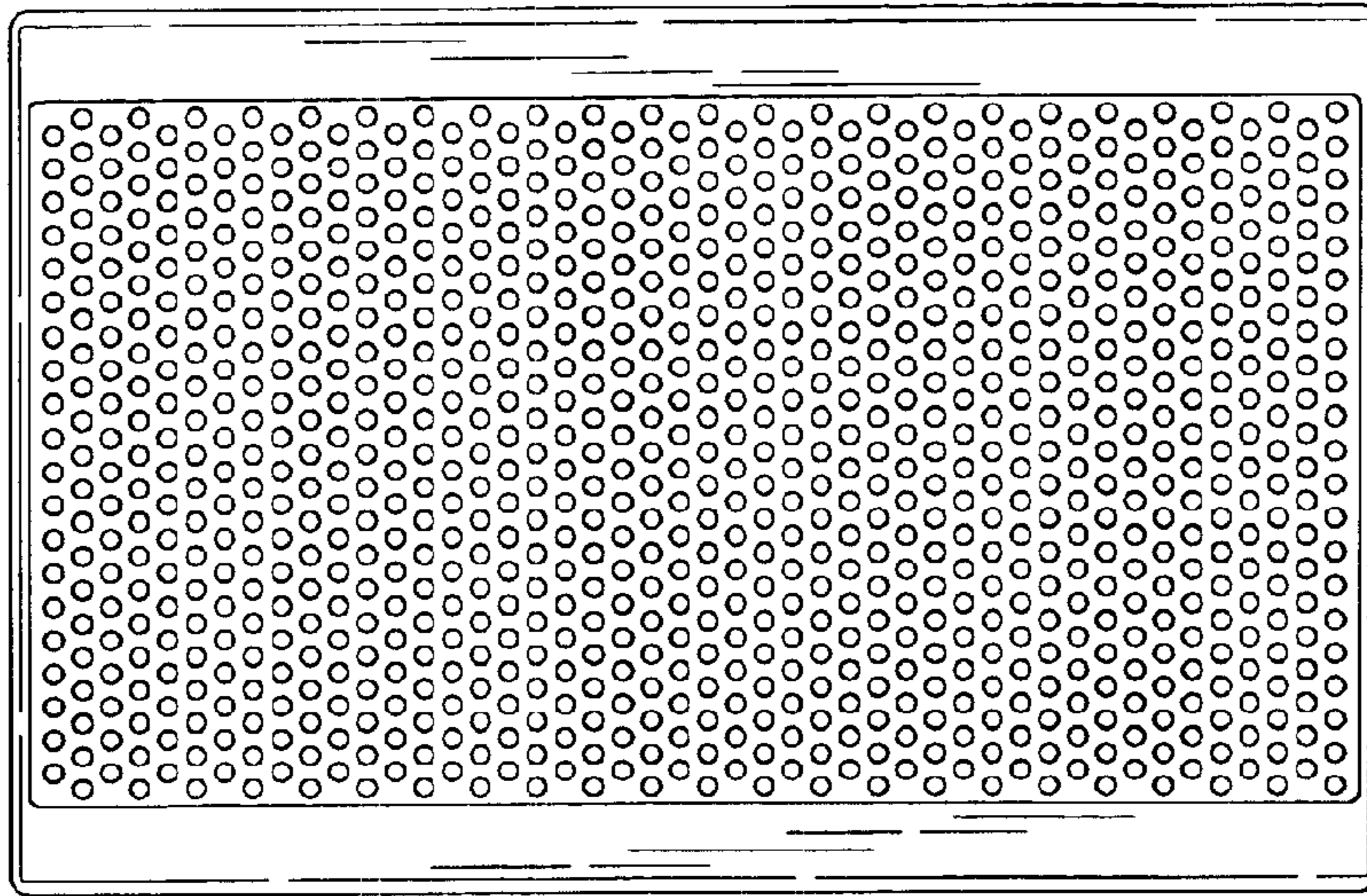


FIG. 1

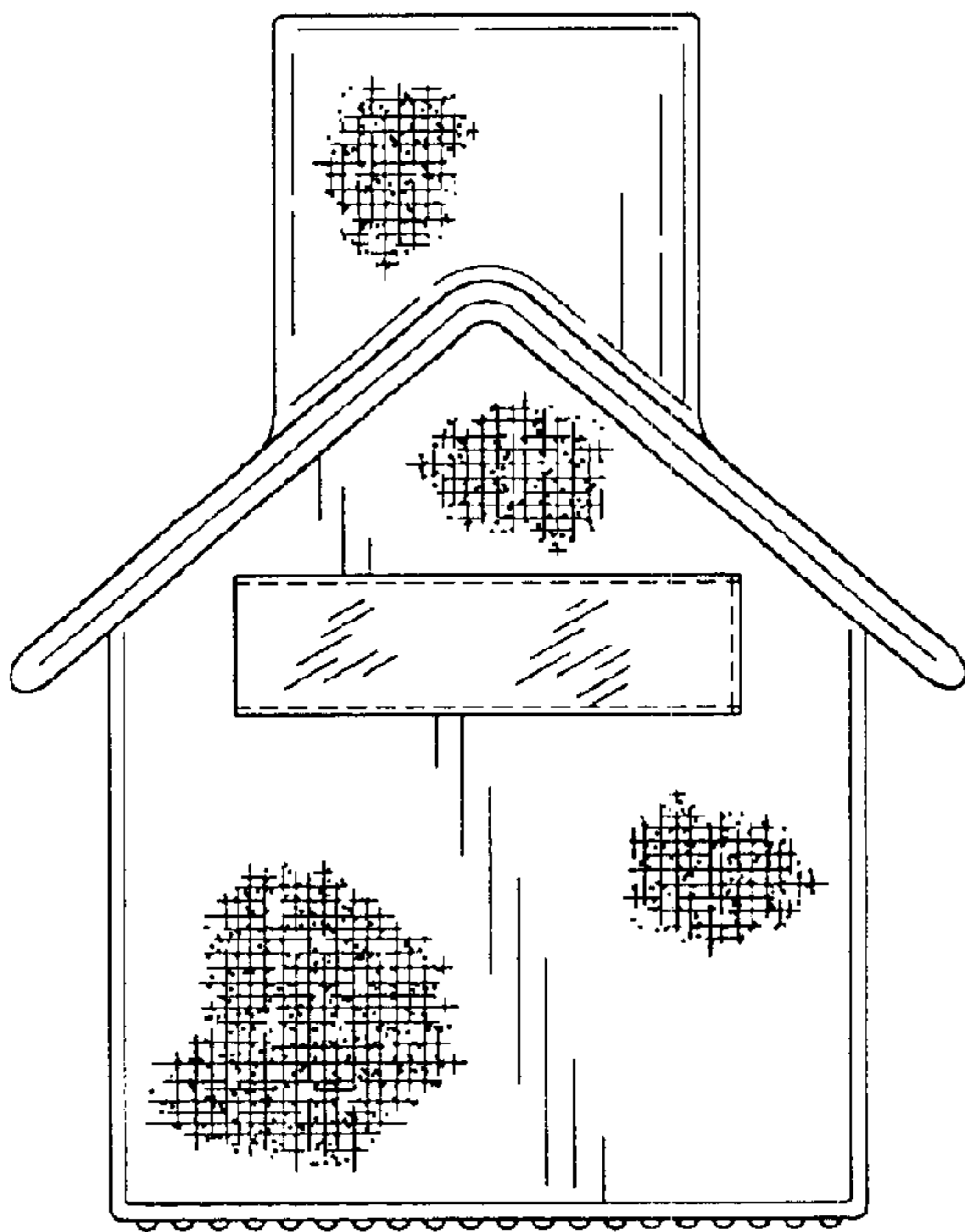


FIG. 2

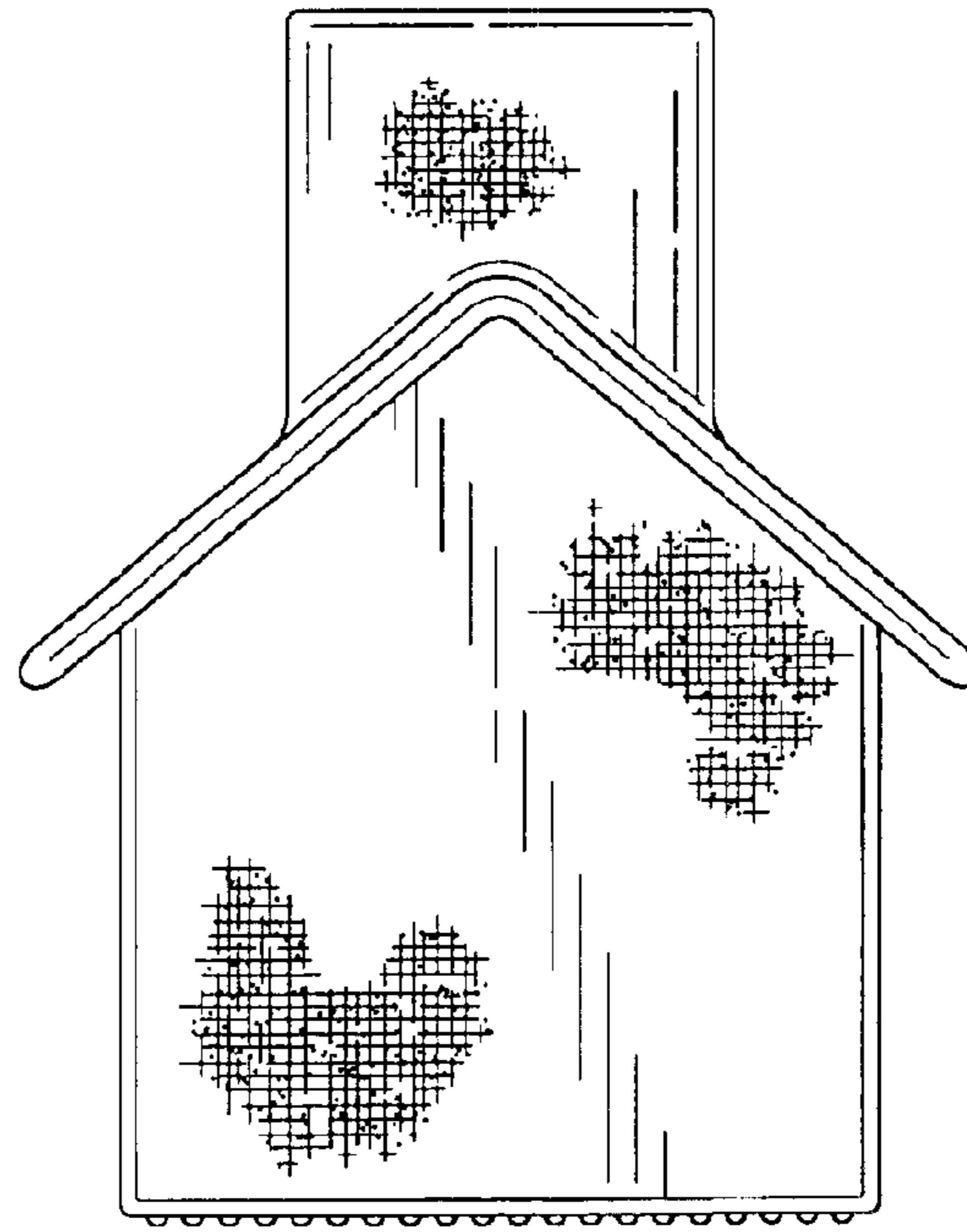


FIG. 3

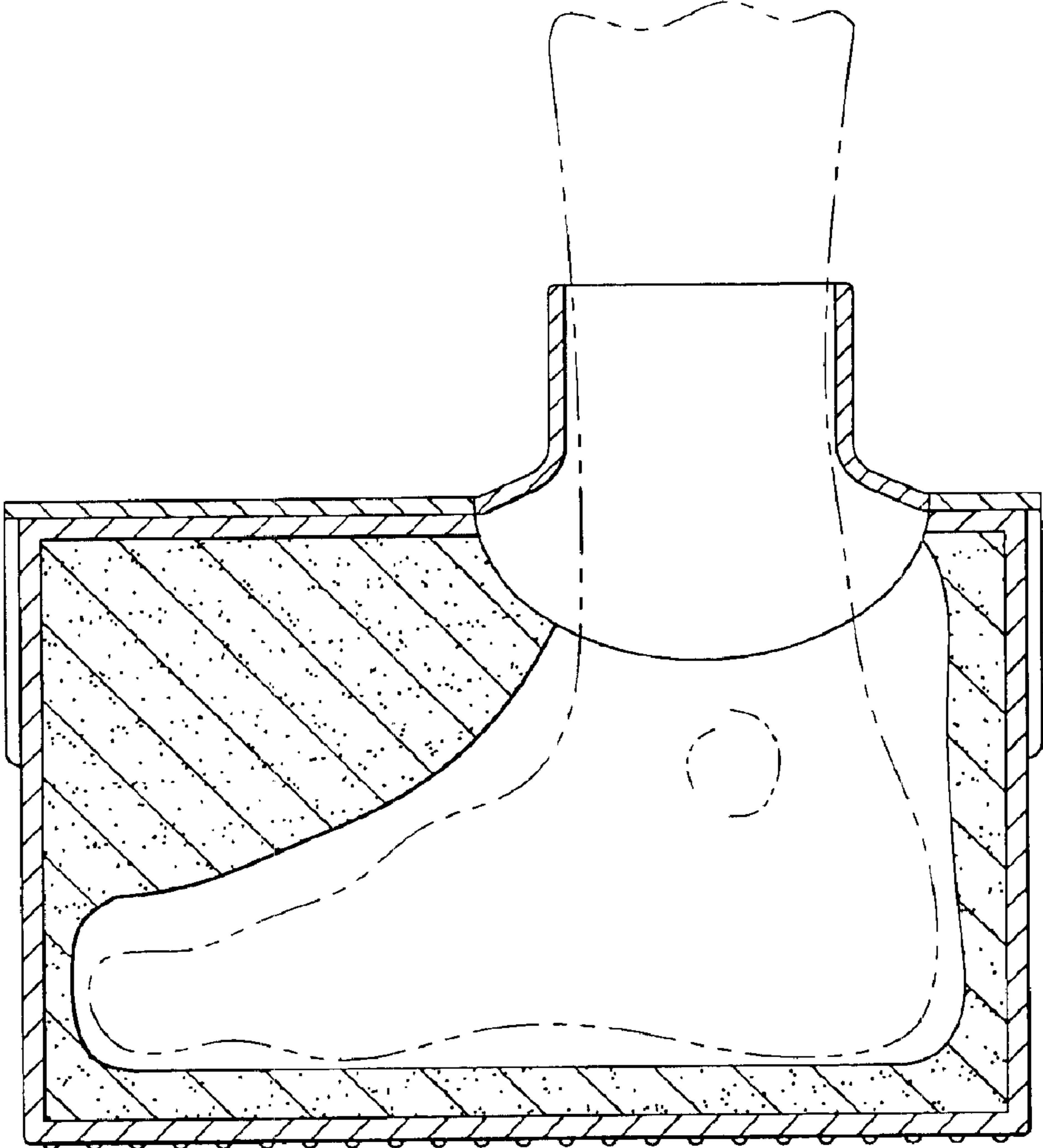


FIG. 1