

US00D504990S

(12) **United States Design Patent** (10) **Patent No.:** **US D504,990 S**
Perella et al. (45) **Date of Patent:** **** *May 10, 2005**

(54) **SECURITY BOX**

(75) Inventors: **Daniel Perella**, Hudson, OH (US);
Anthony DeCarlo, Bay Village, OH
(US); **Vincent Thomson**, Avon Lake,
OH (US)

(73) Assignee: **IdeaStream Consumer Products LLC**,
Parma, OH (US)

(*) Notice: This patent is subject to a terminal dis-
claimer.

(**) Term: **14 Years**

(21) Appl. No.: **29/203,512**

(22) Filed: **Apr. 16, 2004**

Related U.S. Application Data

(62) Division of application No. 29/180,361, filed on Apr. 23,
2003, now Pat. No. Des. 490,206.

(51) **LOC (7) Cl.** **99-00**

(52) **U.S. Cl.** **D99/28**

(58) **Field of Search** D99/28, 34, 35,
D99/36, 43; D3/268, 276, 272, 281, 284,
901, 905; 206/278, 305, 349, 372, 373,
305.1; 190/109-113, 115, 100; 232/4 R;
119/72, 165, 496

(56) **References Cited**

U.S. PATENT DOCUMENTS

D67,730 S * 6/1925 Wheary D3/272
D129,108 S * 8/1941 Sprague D3/268
D160,949 S * 11/1950 Knell D3/275
D202,160 S * 8/1965 Territo D3/284

D247,993 S * 5/1978 Calzone, III D3/204
D314,666 S 2/1991 Lanius
D393,526 S 4/1998 Robey et al.
5,755,180 A * 5/1998 Smith 119/72
D414,037 S 9/1999 Akaike et al.
D415,614 S * 10/1999 Akaike et al. D3/276
D467,428 S * 12/2002 Wolf D3/291
D490,206 S * 5/2004 Perella et al. D99/28
D493,936 S * 8/2004 Perella et al. D99/28

* cited by examiner

Primary Examiner—Paula A. Greene

(74) *Attorney, Agent, or Firm*—Pillsbury Winthrop LLP

(57) **CLAIM**

The ornamental design for a security box, as shown and
described.

DESCRIPTION

A portion of the disclosure of this patent document contains
material to which a claim for copyright is made. The
copyright owner has no objection to the facsimile reproduc-
tion of the patent document or the patent disclosure, as it
appears in the Patent and Trademark Office patent file or
records, but reserves all other copyrights whatsoever.

FIG. 1 is a perspective view of a security box embodying
another aspect of our new design;

FIG. 2 is a front elevational view of the security box of FIG.
6;

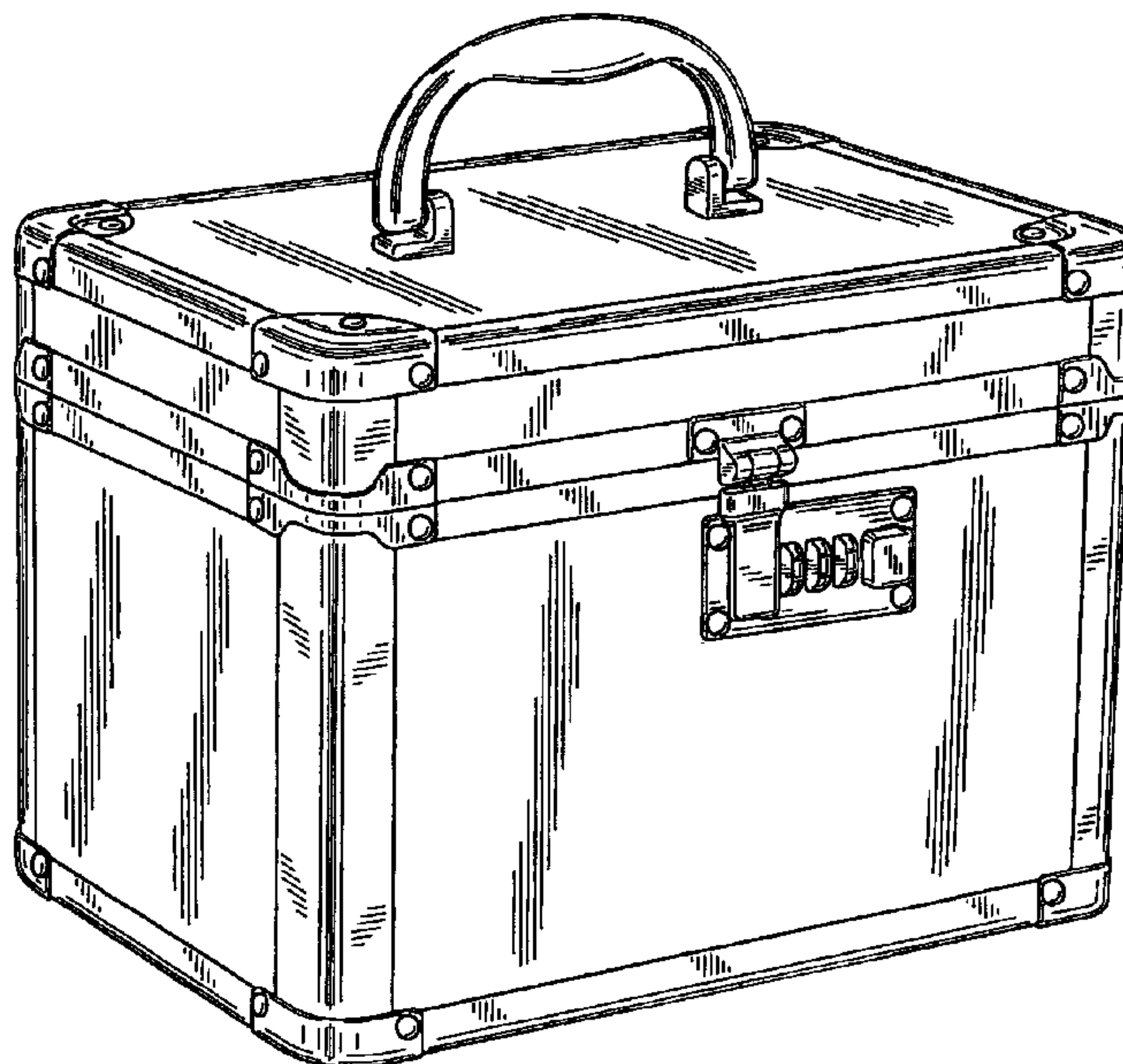
FIG. 3 is a rear elevational view of the security box of FIG.
6;

FIG. 4 is a left side profile view of the security box of FIG.
6;

FIG. 5 is a right side profile view of the security box of FIG.
6; and,

FIG. 6 is a top plan view of the security box of FIG. 6.

1 Claim, 6 Drawing Sheets



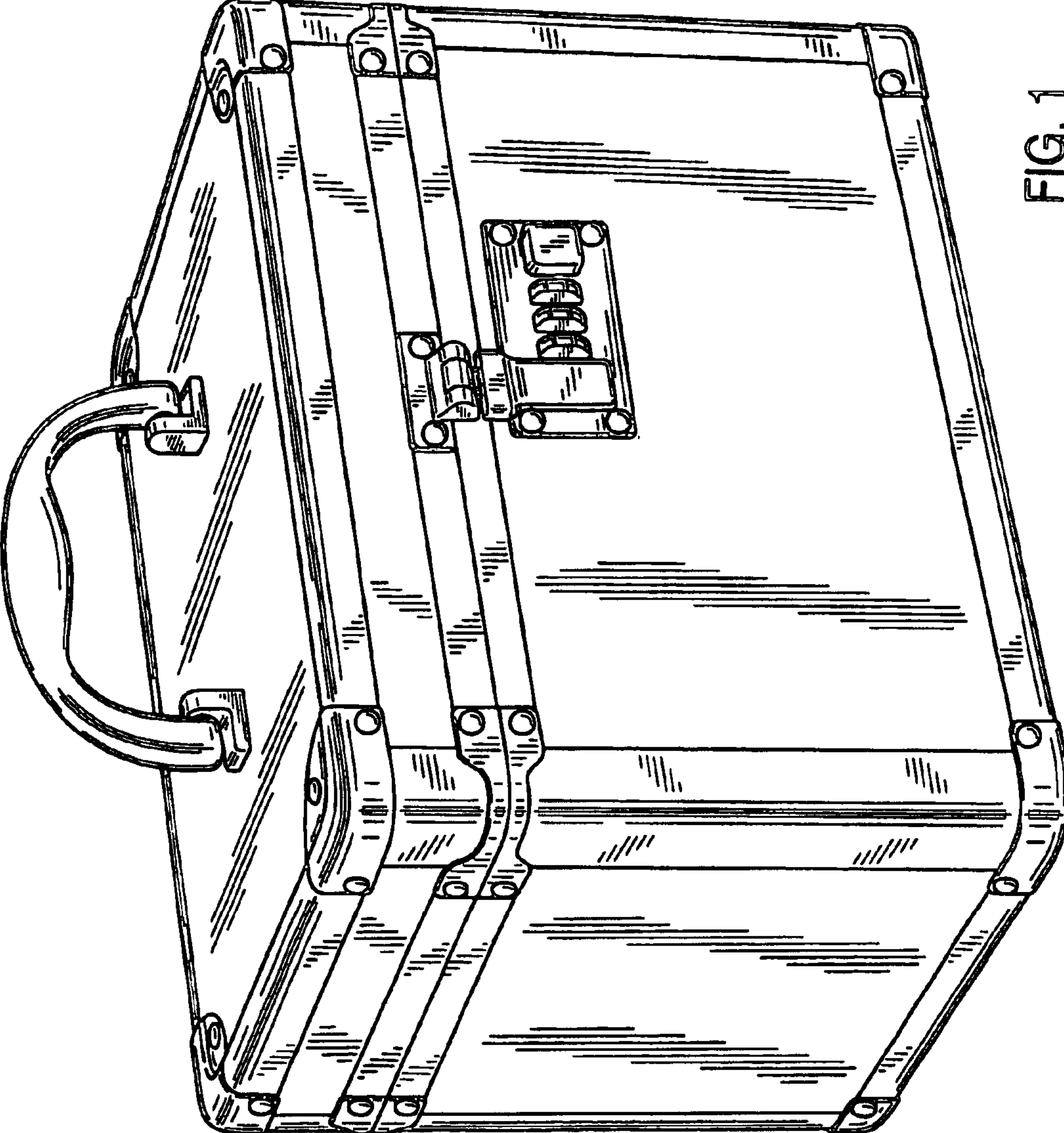


FIG. 1

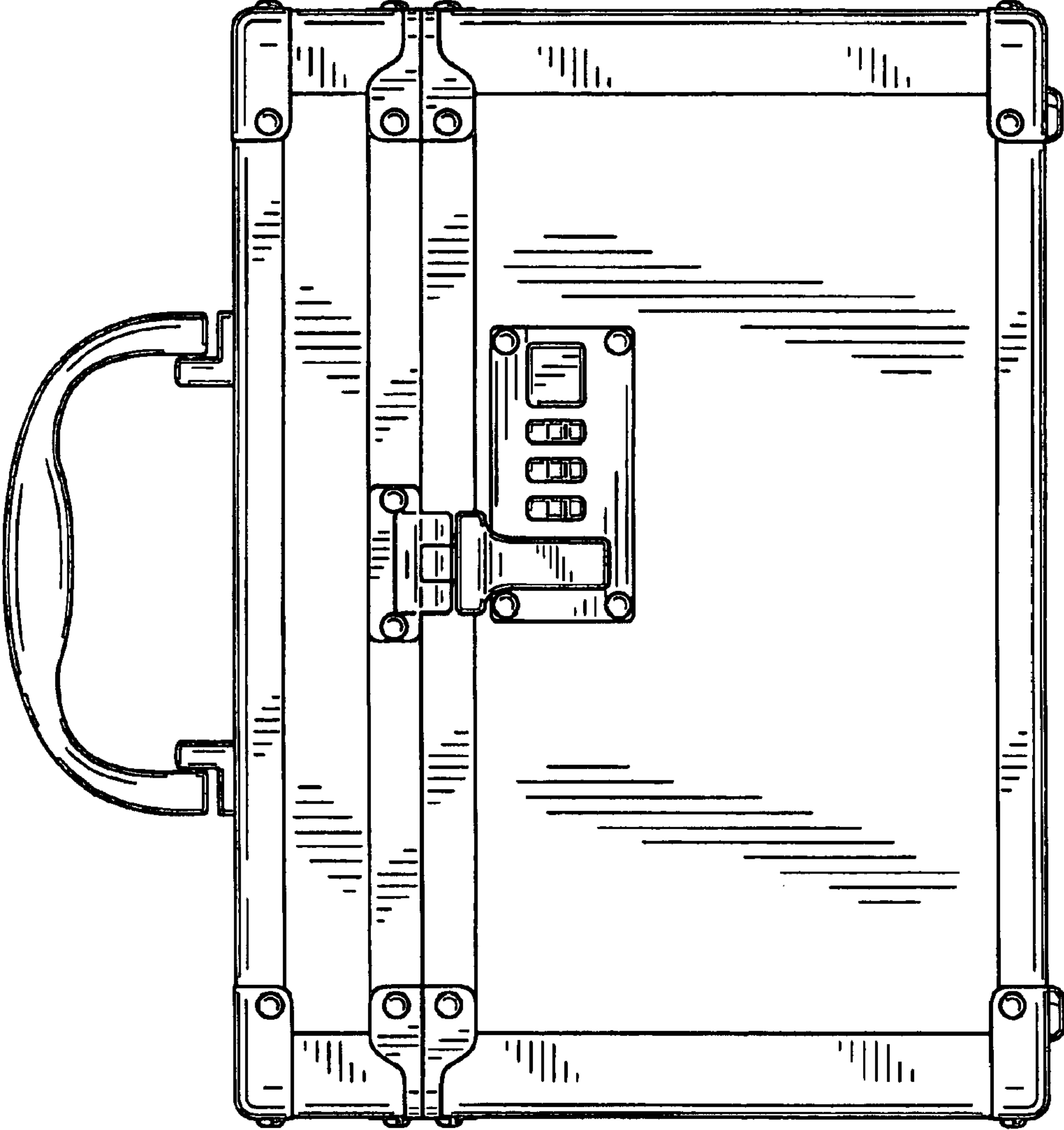


FIG. 2

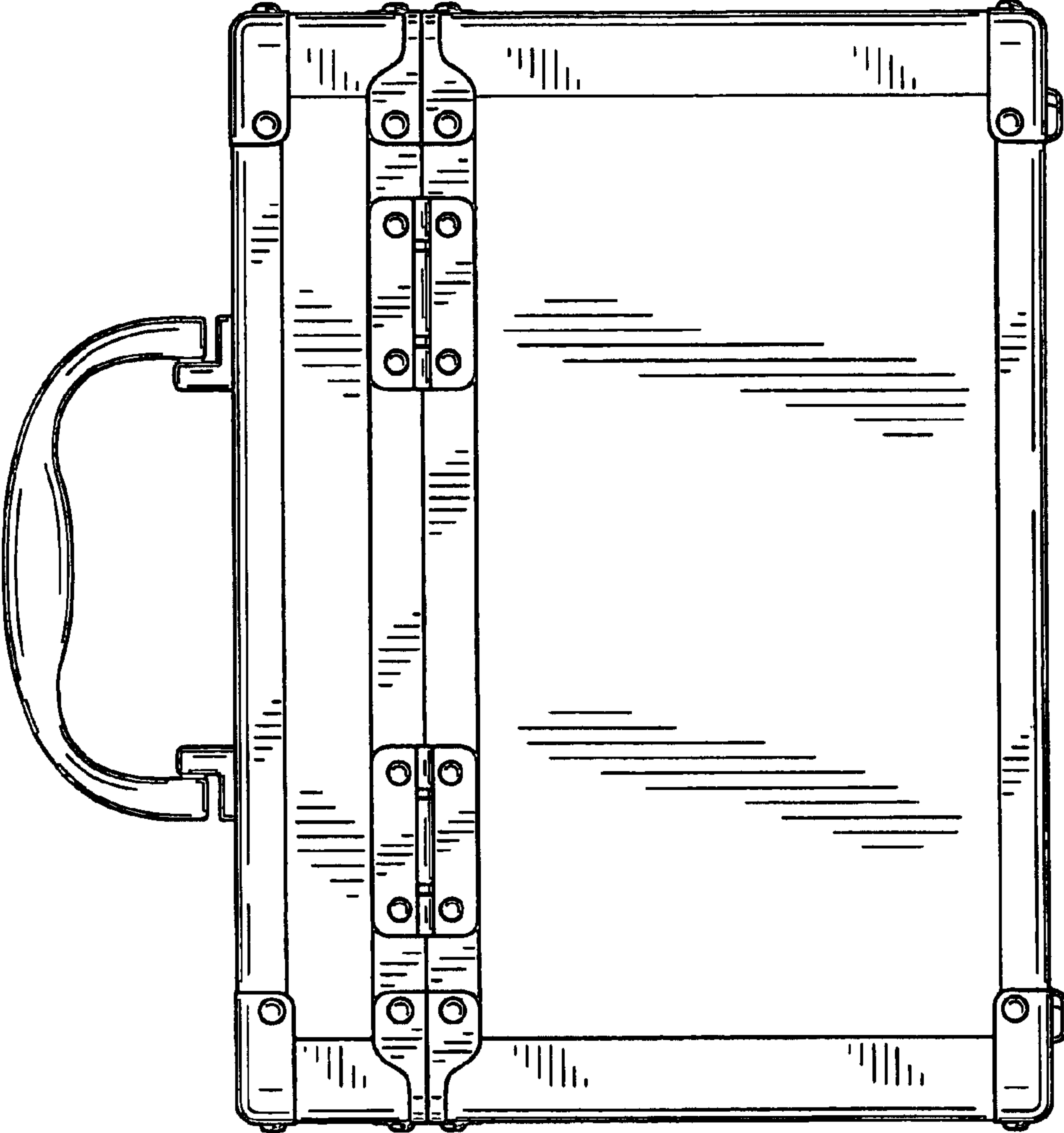


FIG. 3

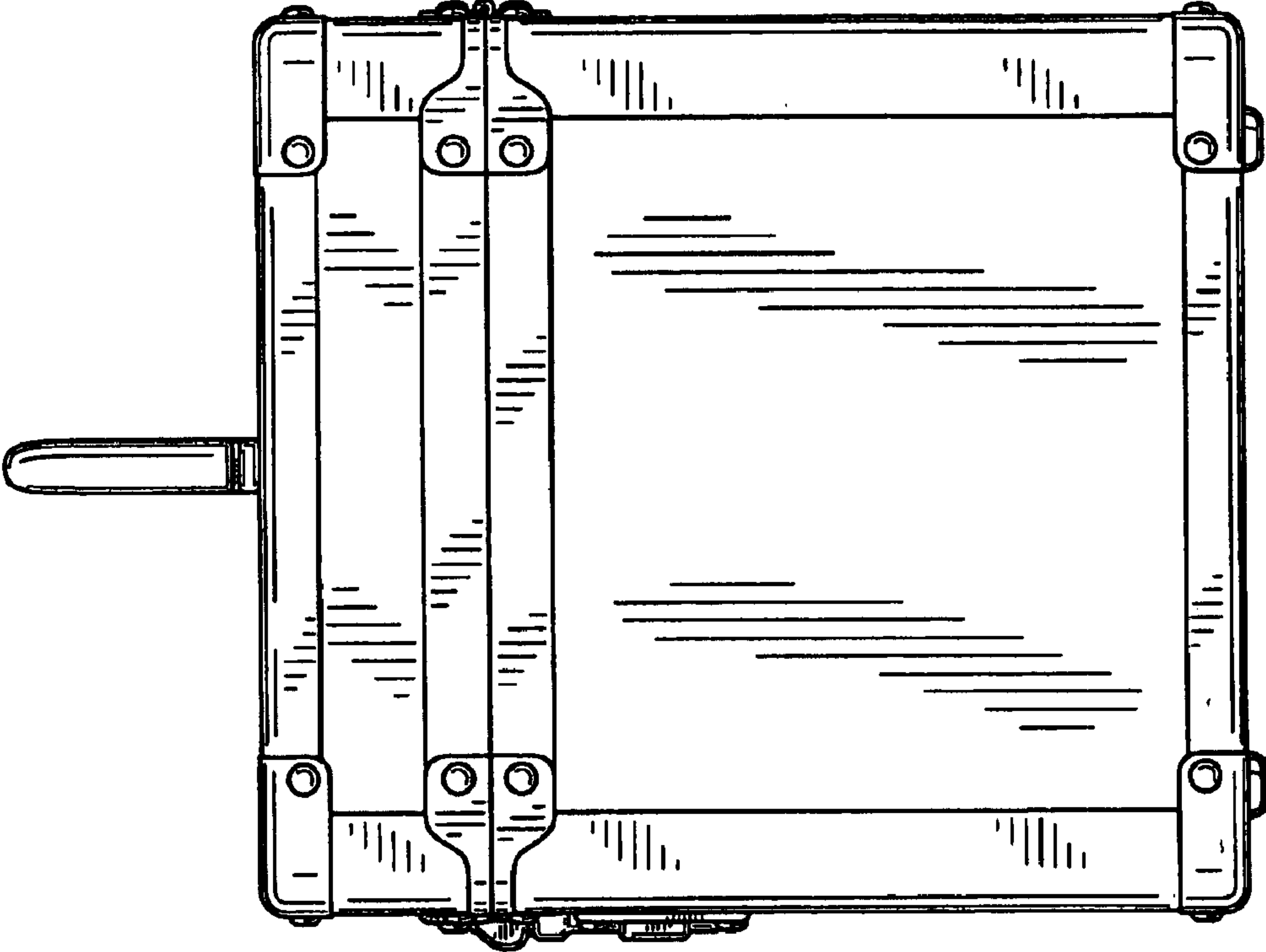


FIG. 4

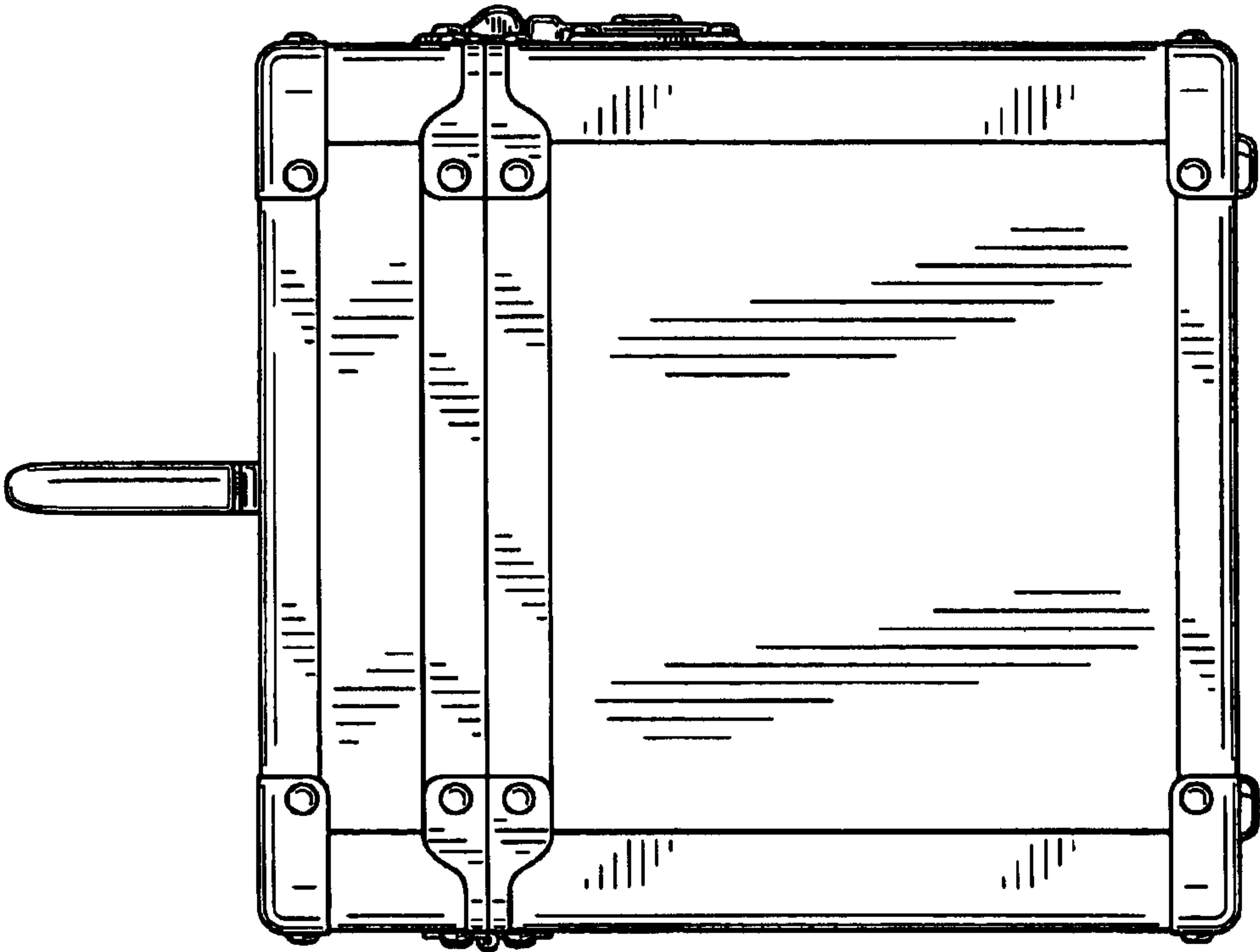


FIG. 5

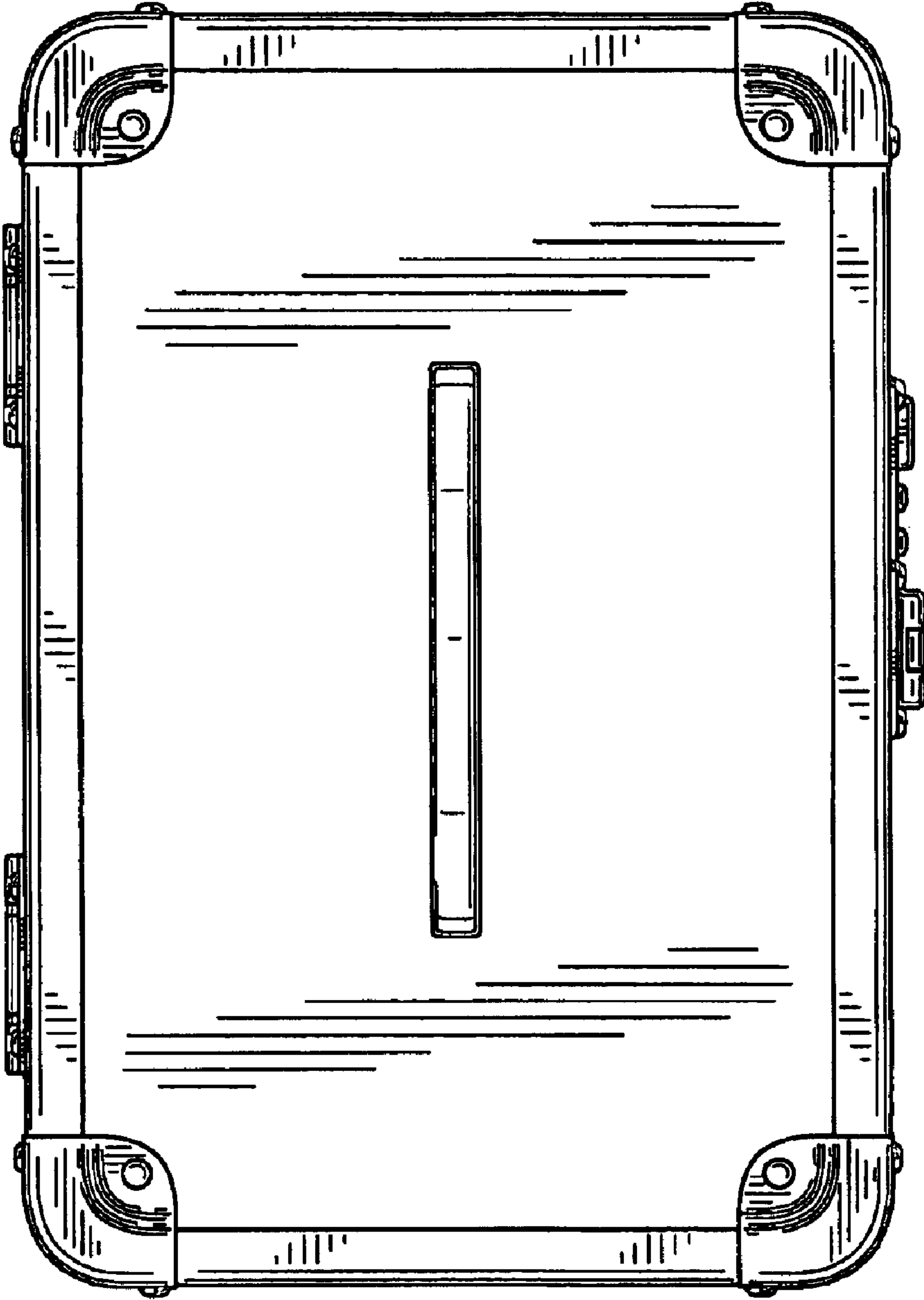


FIG. 6