



US00D504989S

(12) **United States Design Patent** (10) **Patent No.:** **US D504,989 S**  
**Schmidt et al.** (45) **Date of Patent:** **\*\* May 10, 2005**

(54) **STAMPED PATTERN ON A COMPACTOR DOOR**

(75) Inventors: **Duane A. Schmidt**, Newburgh, IN (US); **Allan R. Steinkuhl**, Evansville, IN (US); **Joseph L. Coleman**, Evansville, IN (US)

(73) Assignee: **Whirlpool Corporation**, Benton Harbor, MI (US)

(\*\*) Term: **14 Years**

(21) Appl. No.: **29/173,443**

(22) Filed: **Dec. 30, 2002**

(51) **LOC (7) Cl.** ..... **12-02**

(52) **U.S. Cl.** ..... **D34/27**

(58) **Field of Search** ..... D34/12-27; D14/189, D14/193; D6/432, 396, 397, 441, 443, 446, 448, 510; D29/109

(56) **References Cited**

**U.S. PATENT DOCUMENTS**

D95,158 S	4/1935	Surerus	
D311,177 S	* 10/1990	Peters, III	D14/308
D409,613 S	* 5/1999	McGee et al.	D14/189
D474,563 S	5/2003	Bresciani	D29/109

D491,585 S \* 6/2004 Schmidt et al. .... D15/91

\* cited by examiner

*Primary Examiner*—Holly Baynham

(74) *Attorney, Agent, or Firm*—Stephen Krefman; Robert O. Rice; John F. Colligan

(57) **CLAIM**

The ornamental design for a stamped pattern on a compactor door, as shown and described.

**DESCRIPTION**

FIG. 1 is a right front perspective view of the design of the compactor;

FIG. 2 is a front elevational view thereof. The ornamental design is not visible in a rear view, top plan view or bottom view;

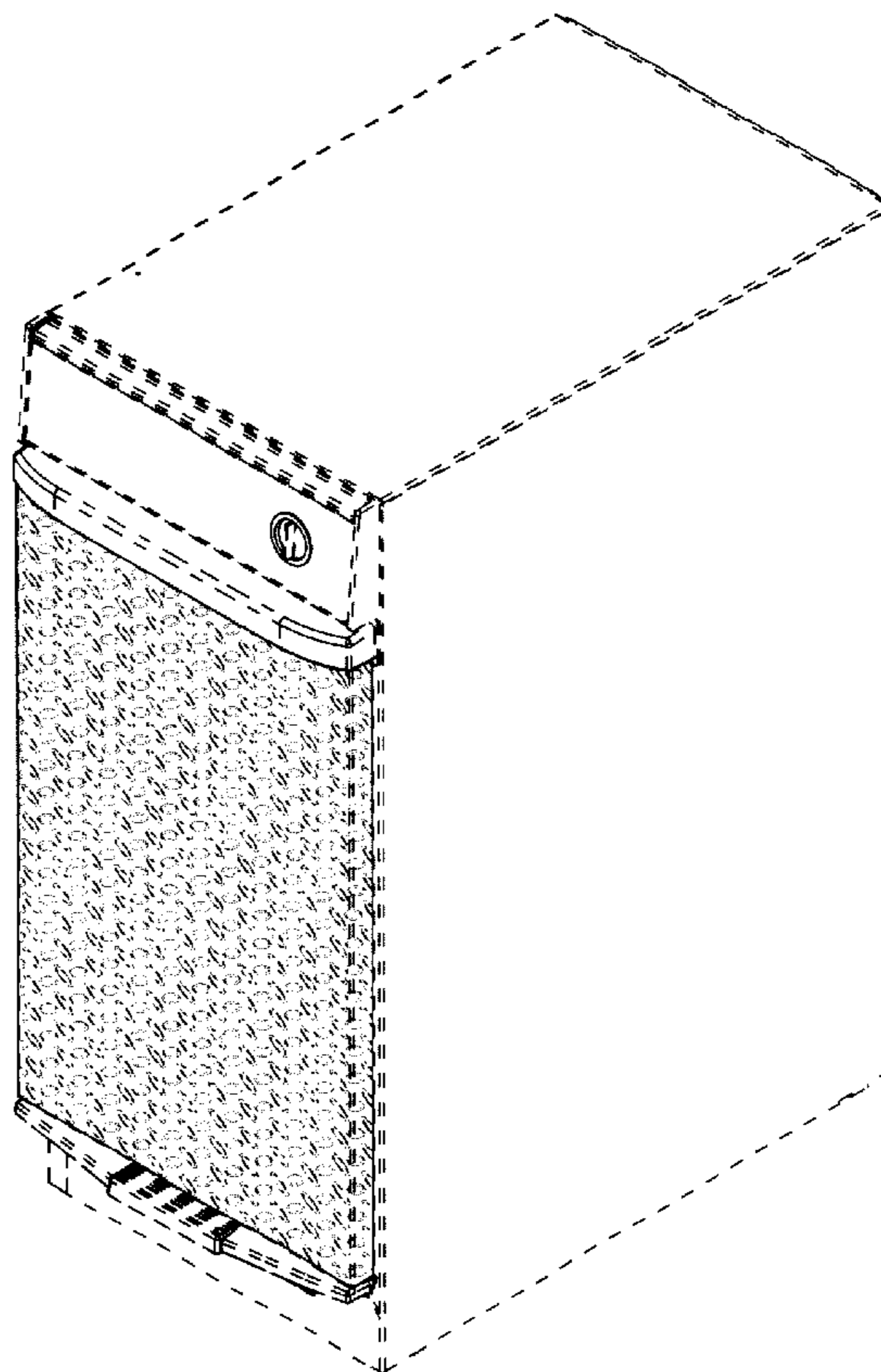
FIG. 3 is a right side elevational view thereof, the left side elevational view being a mirror image; and,

FIG. 4 is an enlarged view of the pattern on the compactor door of the embodiment as shown in FIG. 1.

The characteristic feature of the ornamental design resides in the use of a pattern on the compactor door.

Those portions of compactor in broken lines, specifically the surfaces of the compactor at the top and bottom edges of the door and surfaces extending back from the door including other surfaces of the compactor are for illustrative purposes only and are not part of the claimed invention.

**1 Claim, 3 Drawing Sheets**



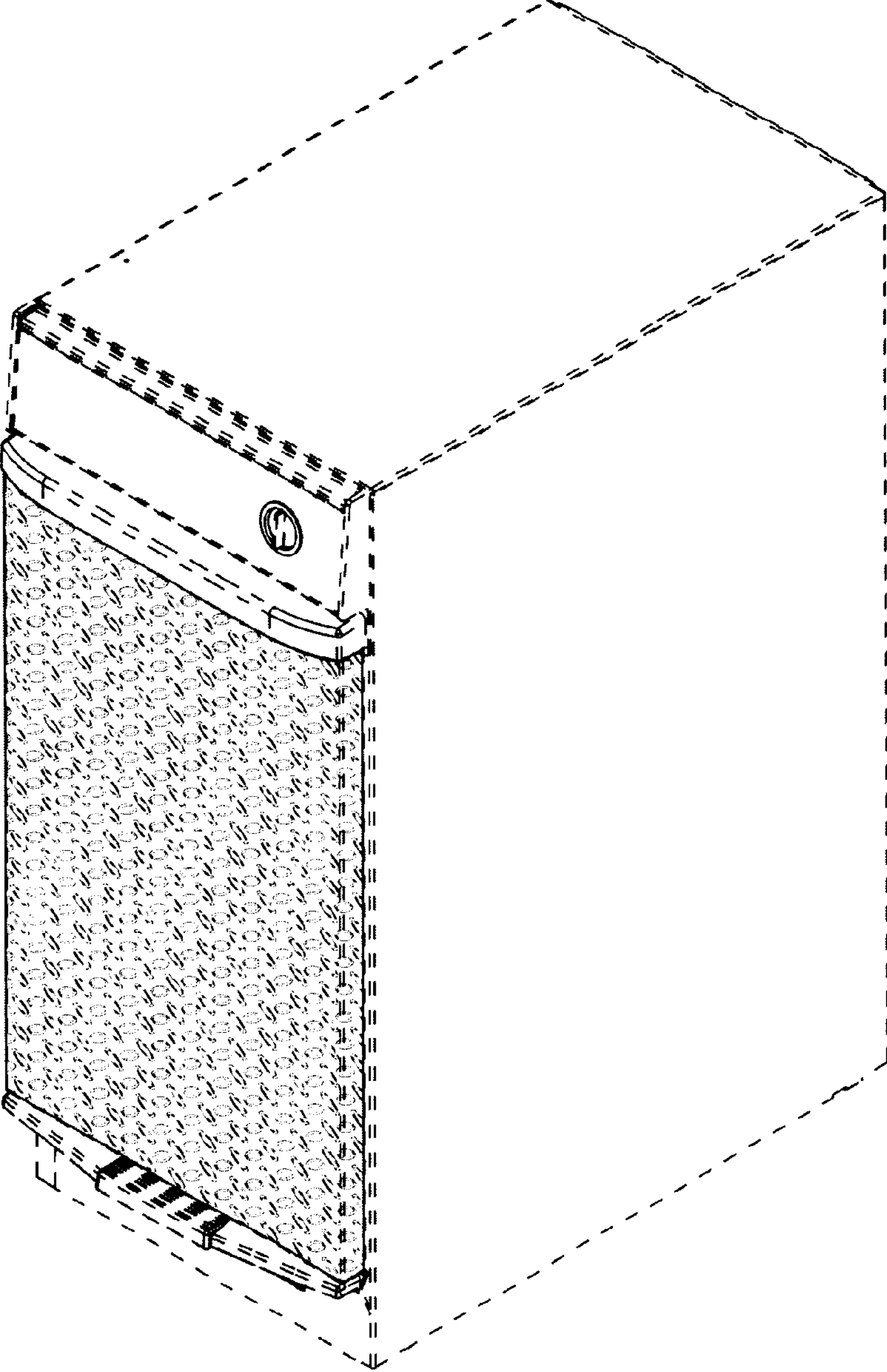
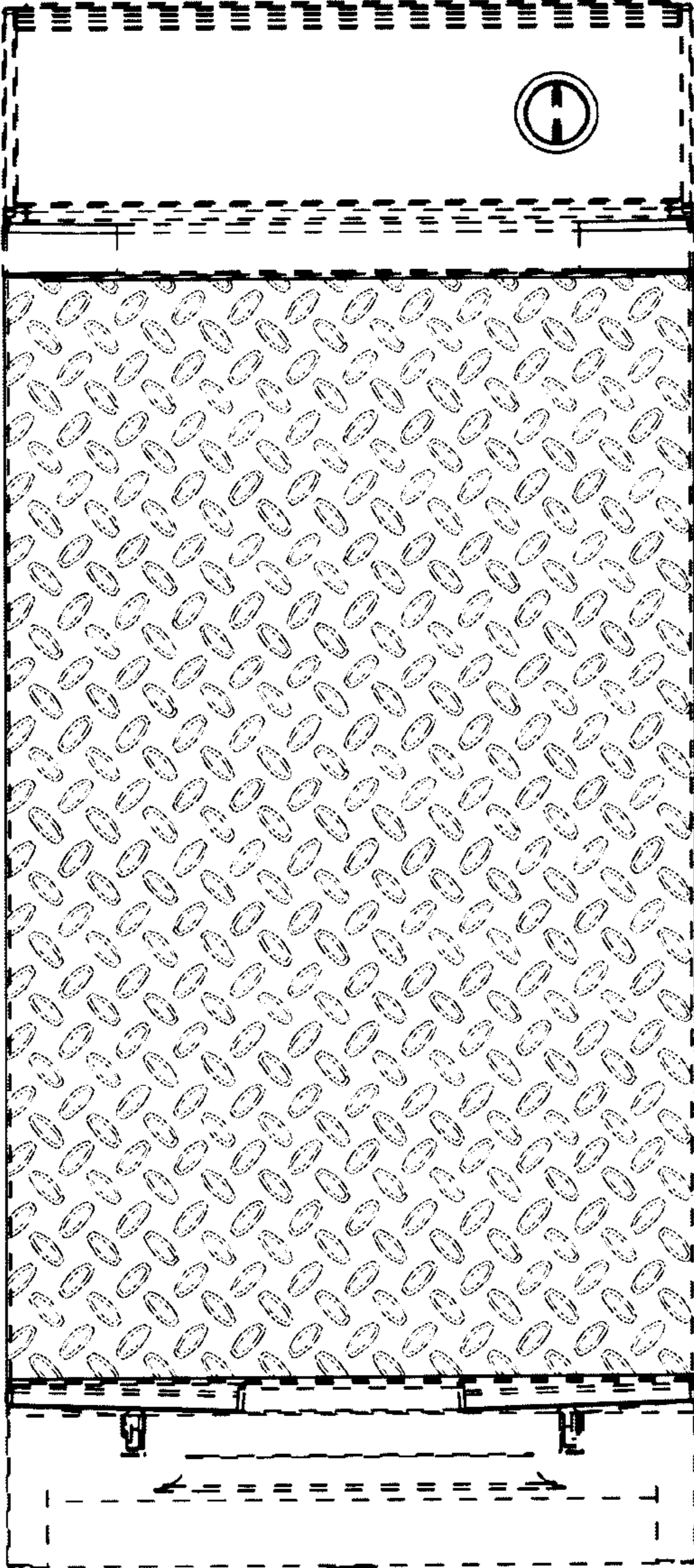


Fig. 1



**Fig. 2**

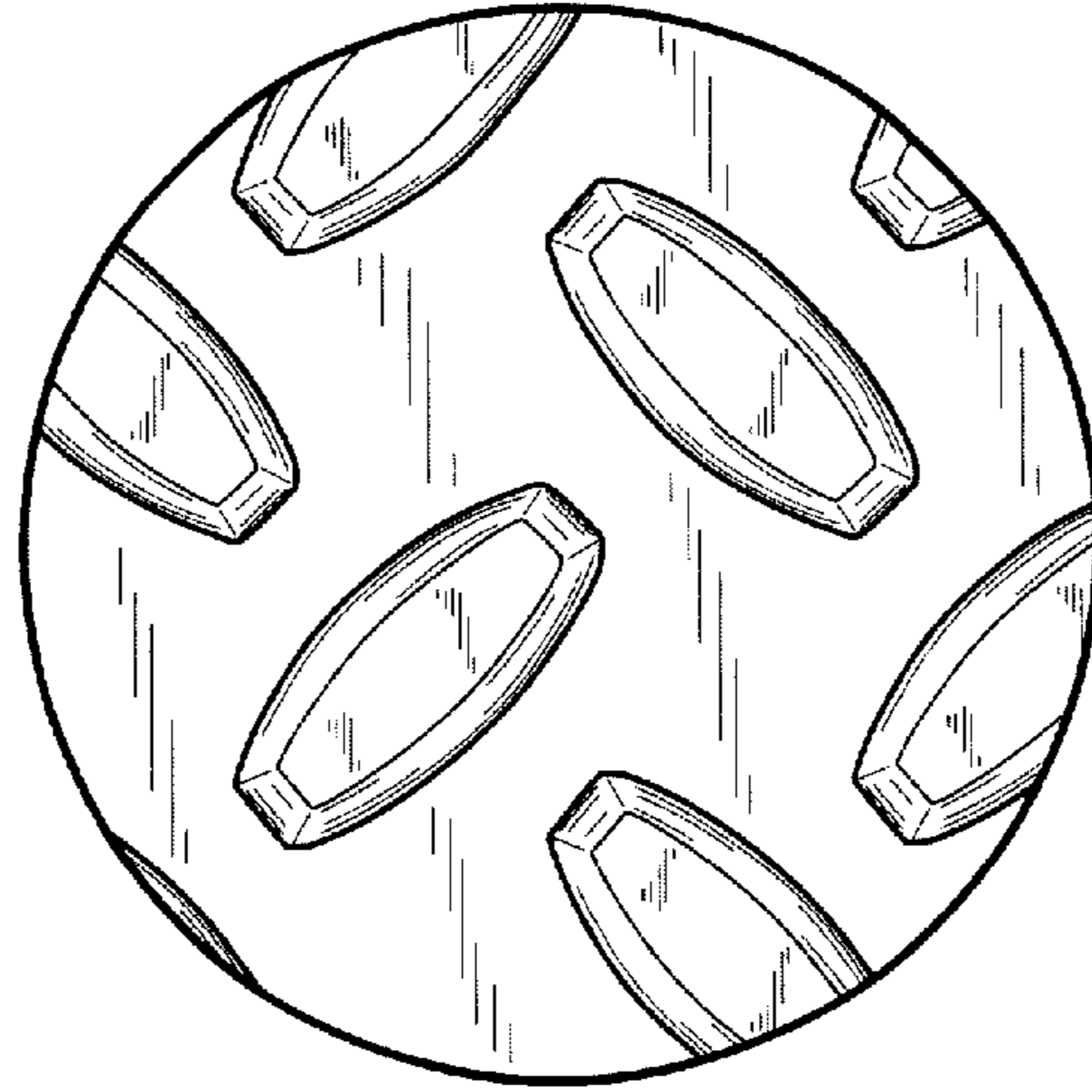


Fig. 4

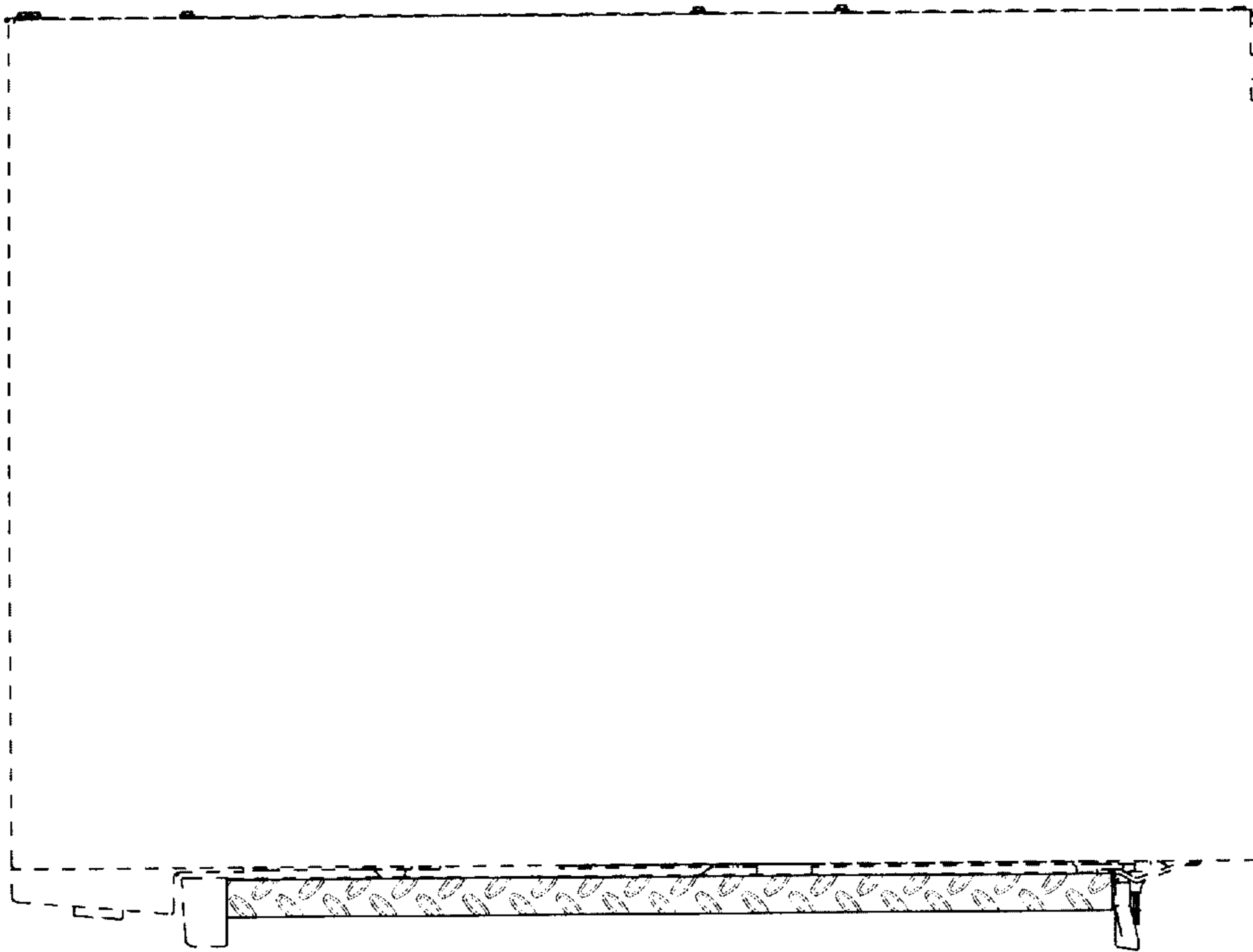


Fig. 3