

US00D504988S

(12) **United States Design Patent**
Pouso et al.

(10) **Patent No.:** **US D504,988 S**
(45) **Date of Patent:** **** May 10, 2005**

(54) **FOOD CONTAINER**

(76) Inventors: **John Pouso**, 96 Silverton Ave., Little Silver, NJ (US) 07739; **Peter Roskowinski**, 106 Maple Ave., Little Silver, NJ (US) 07739

(**) Term: **14 Years**

(21) Appl. No.: **29/199,996**

(22) Filed: **Feb. 23, 2004**

(51) **LOC (7) Cl.** **12-05**

(52) **U.S. Cl.** **D34/13**

(58) **Field of Search** D34/13, 19; D21/425, D21/534, 536; 296/22; D1/106; 280/47.18, 47.26, 47.34

(56) **References Cited**

U.S. PATENT DOCUMENTS

D154,788 S	*	8/1949	Loyacano	D34/13
D383,280 S	*	9/1997	Genovese	D34/13
D401,709 S	*	11/1998	Genovese	D34/13
D401,711 S	*	11/1998	Genovese	D34/13

D410,710 S * 6/1999 Wong D21/594

* cited by examiner

Primary Examiner—Holly Baynham

(74) *Attorney, Agent, or Firm*—Gibbons, Del Deo, Dolan, Griffinger & Vecchione

(57) **CLAIM**

We claim the ornamental design for a food container, as shown and described.

DESCRIPTION

FIG. 1 is a right front and top perspective view of the food container;

FIG. 2 is a top plan view of the food container with its food compartment closed;

FIG. 3 is a right side elevational view of the food container;

FIG. 4 is a front elevational view of the food container;

FIG. 5 is a bottom plan view of the food container; and,

FIG. 6 is a top plan view of the food container with its food compartment open.

The broken line showing of structure is for illustrative purposes only and forms no part of the claimed design.

1 Claim, 3 Drawing Sheets

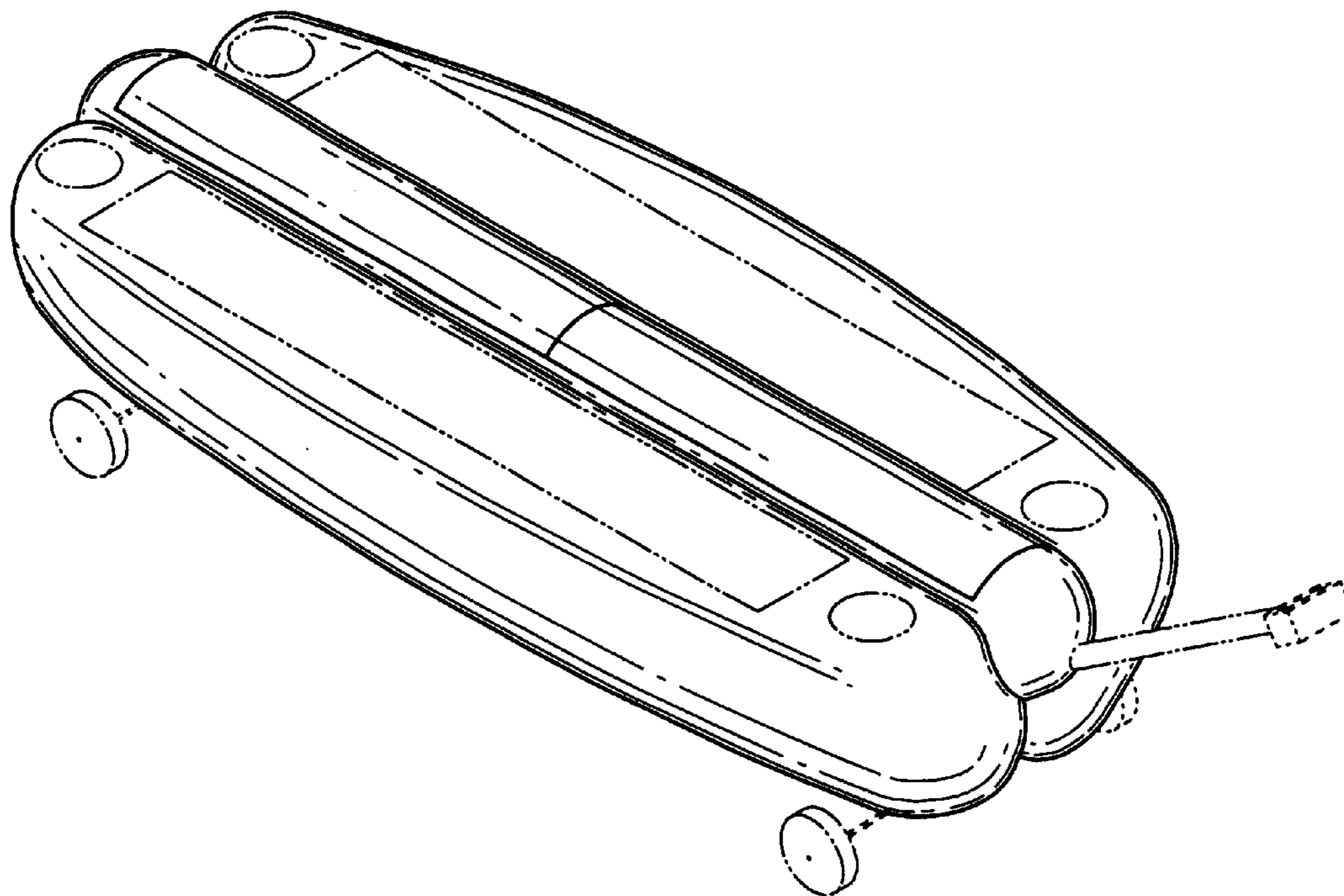


FIG. 1

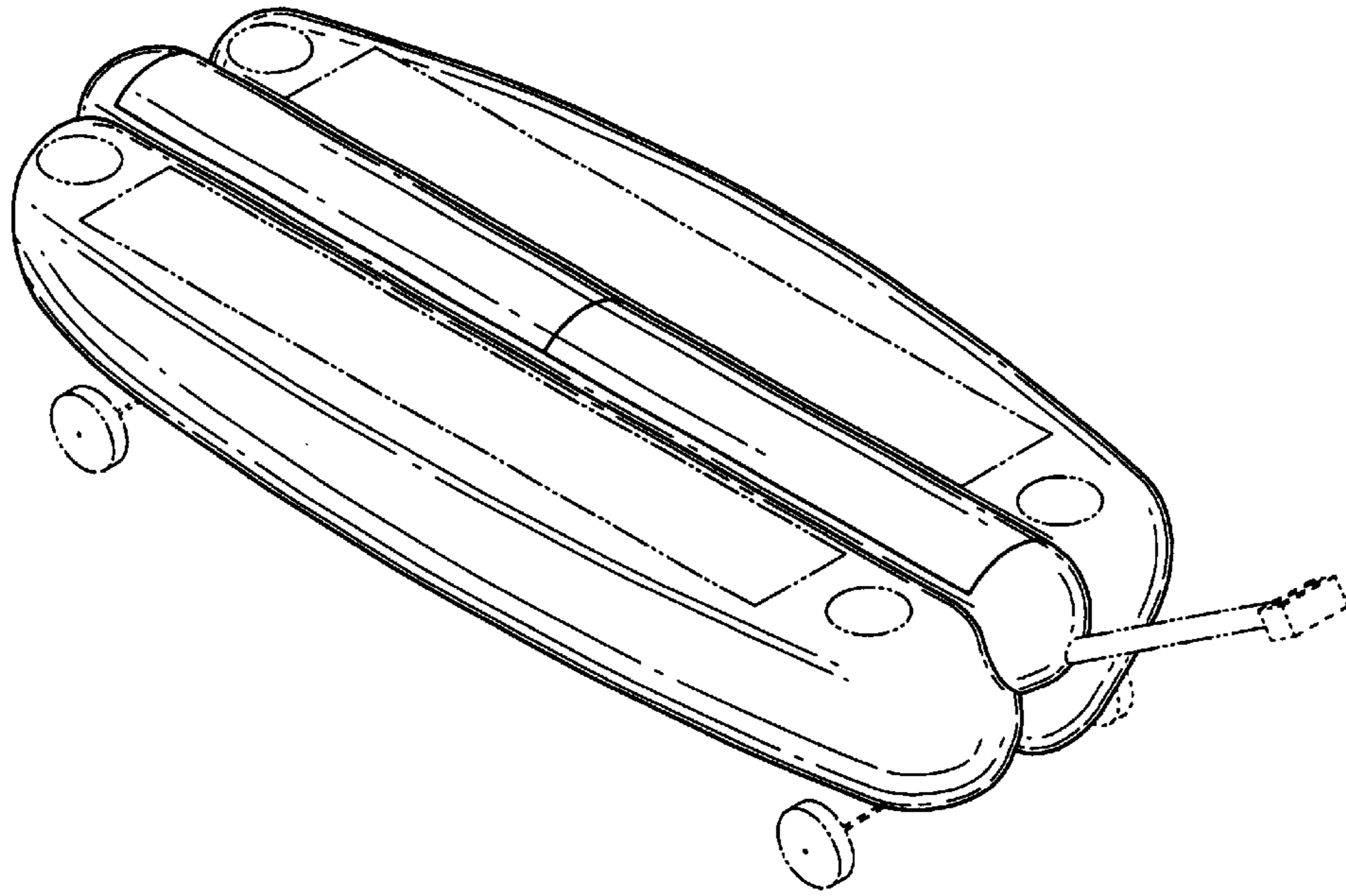


FIG. 2

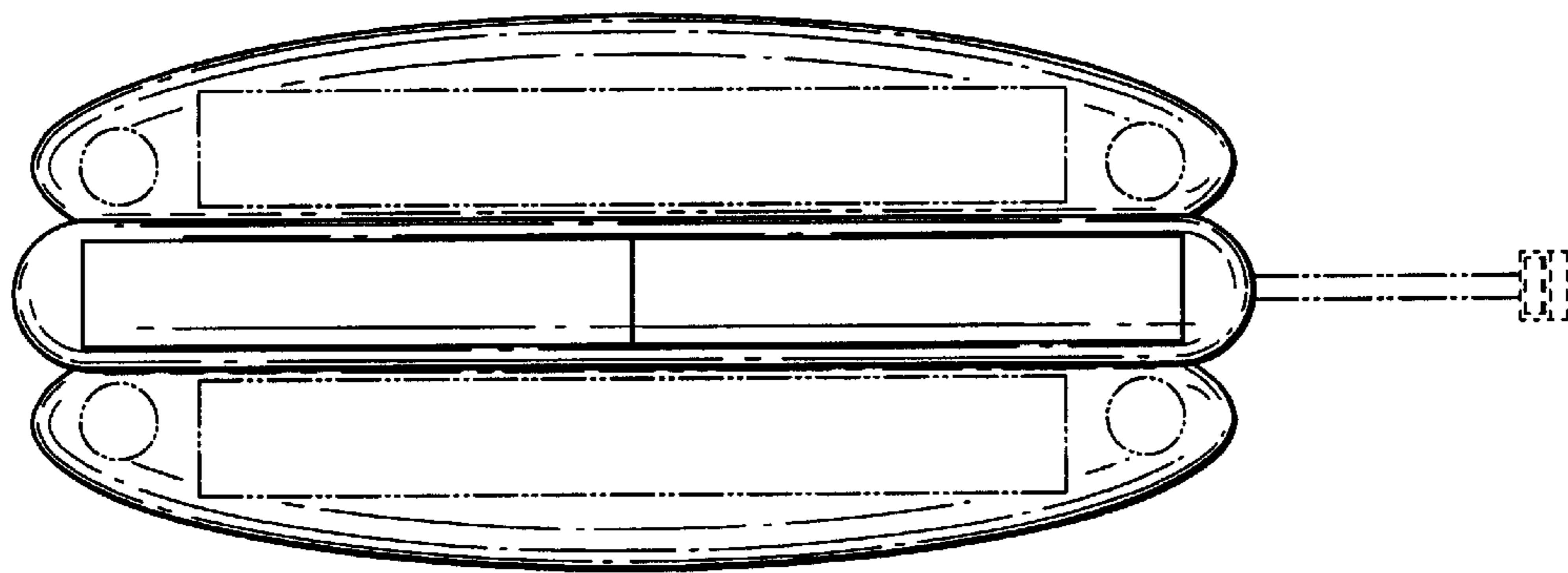


FIG. 3

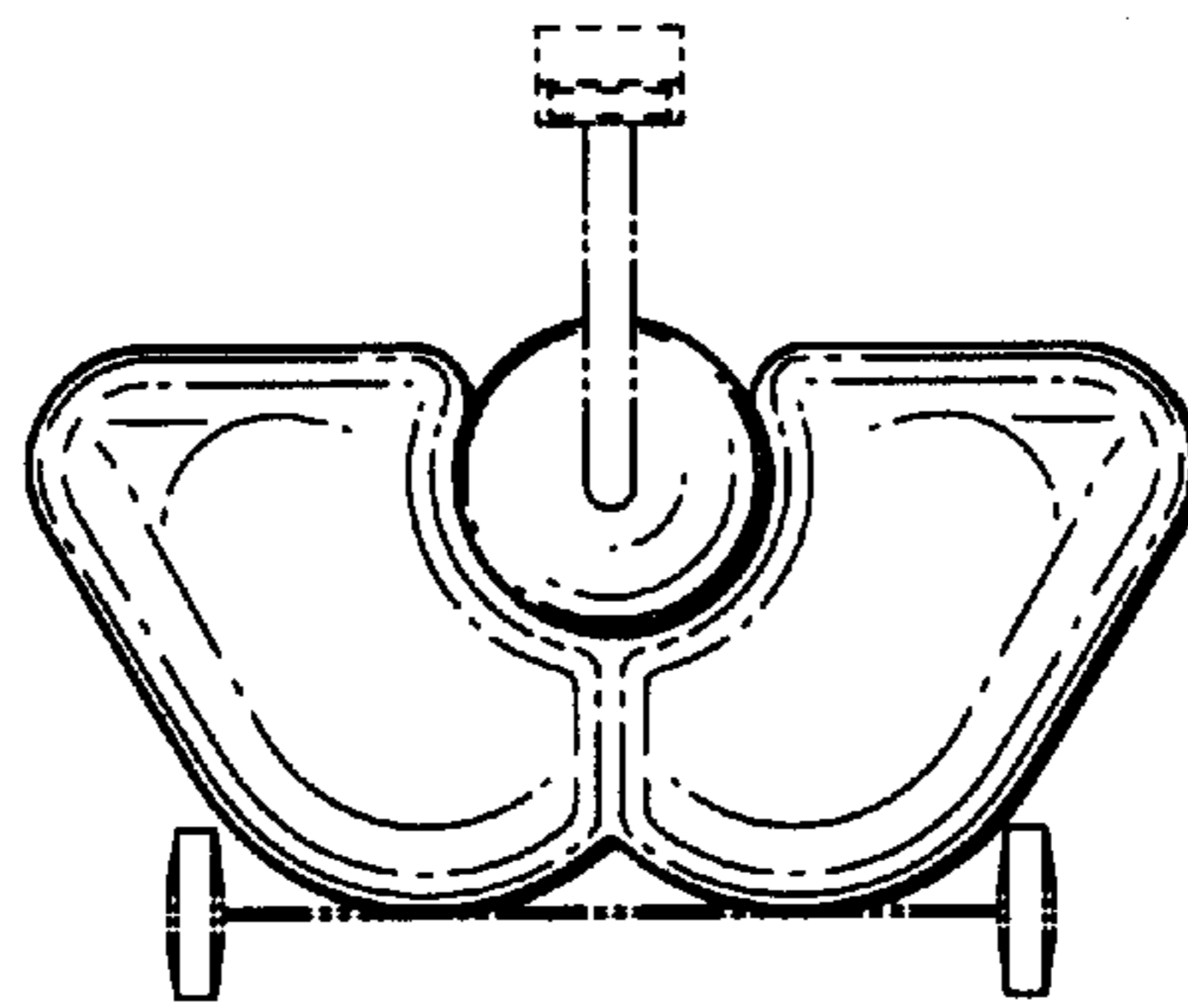


FIG. 4

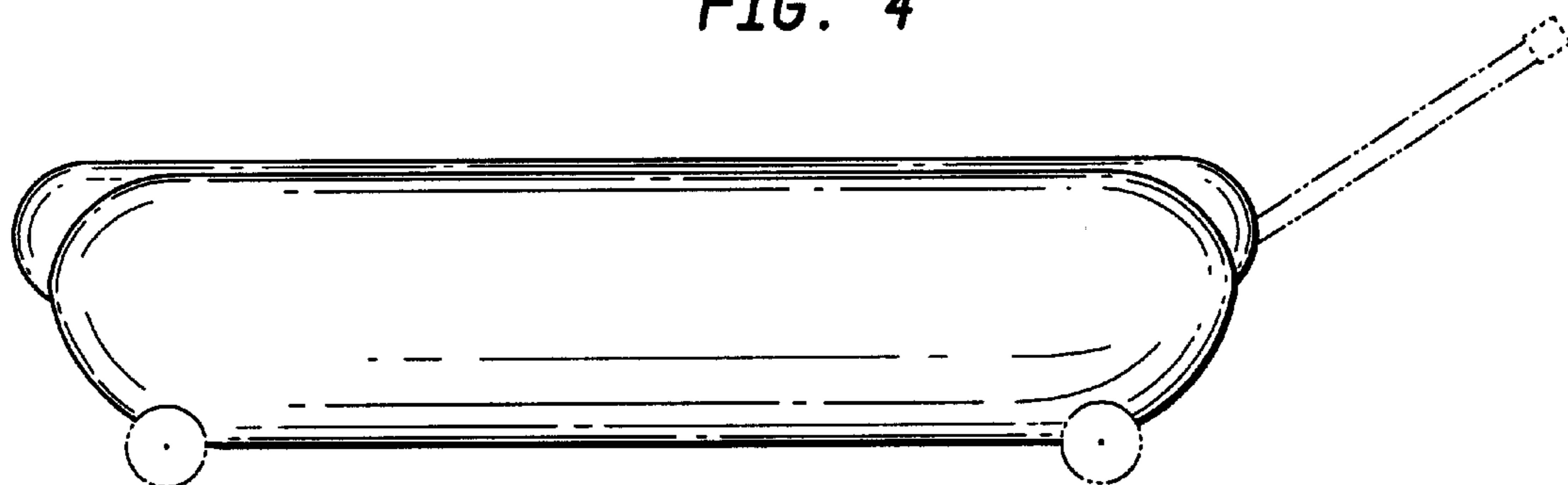


FIG. 5

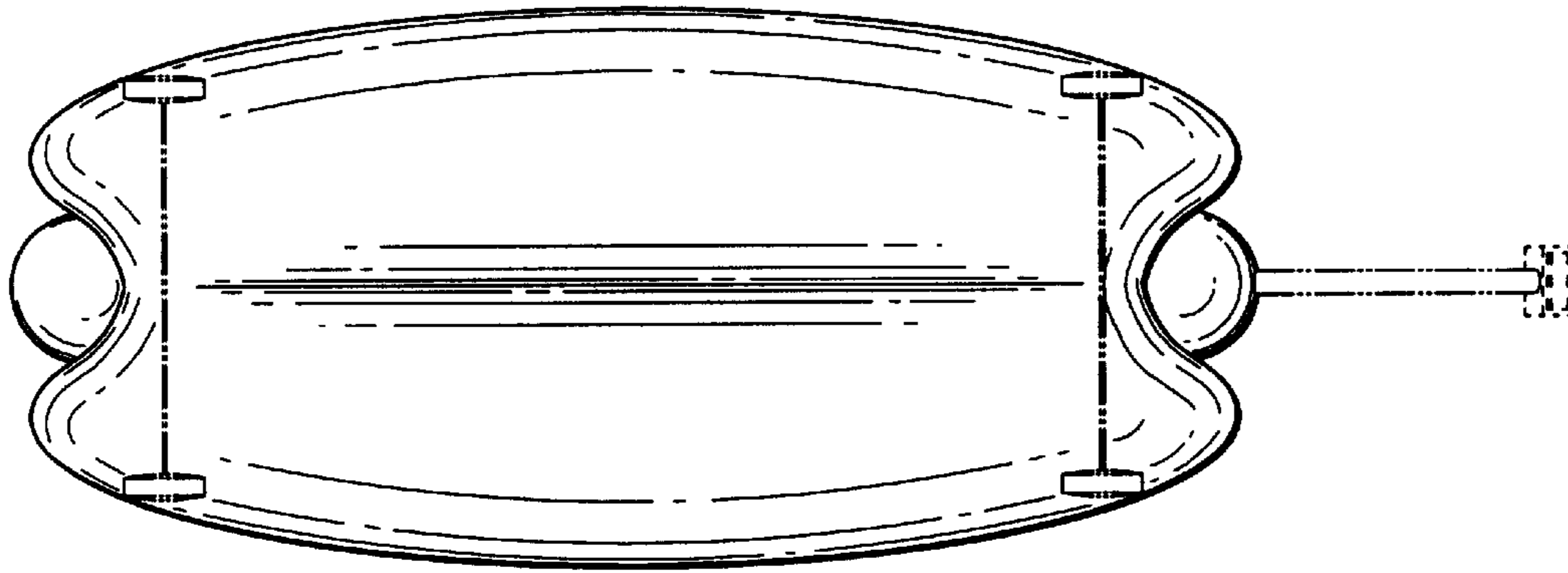


FIG. 6

