

US00D504987S

(12) **United States Design Patent**
Morris, Sr.

(10) **Patent No.:** **US D504,987 S**
(45) **Date of Patent:** **** May 10, 2005**

(54) **DRY PAIL LID**

(76) Inventor: **Glenn H. Morris, Sr.**, 1192
Cumberland Rd., Elder Mountain, TN
(US) 37419

(**) Term: **14 Years**

(21) Appl. No.: **29/170,355**

(22) Filed: **Nov. 4, 2002**

(51) **LOC (7) Cl.** **07-07**

(52) **U.S. Cl.** **D32/53**

(58) **Field of Search** D32/53, 53.1,
D32/54; D7/629; D9/428, 435, 453, 454;
206/508; 220/288, 380, 780-783, 790, 792,
796, 797, 802; 215/214, 217

(56) **References Cited**

U.S. PATENT DOCUMENTS

- 3,515,306 A * 6/1970 Roper et al. 220/792
- D317,126 S * 5/1991 Morris, Sr. D9/428
- D359,903 S * 7/1995 Arshinoff et al. D9/428
- 6,006,942 A * 12/1999 Morris et al. 220/288

* cited by examiner

Primary Examiner—Alan P. Douglas
Assistant Examiner—Lavone D. Tabor

(74) *Attorney, Agent, or Firm*—Stephen J. Stark; Miller & Martin PLLC

(57) **CLAIM**

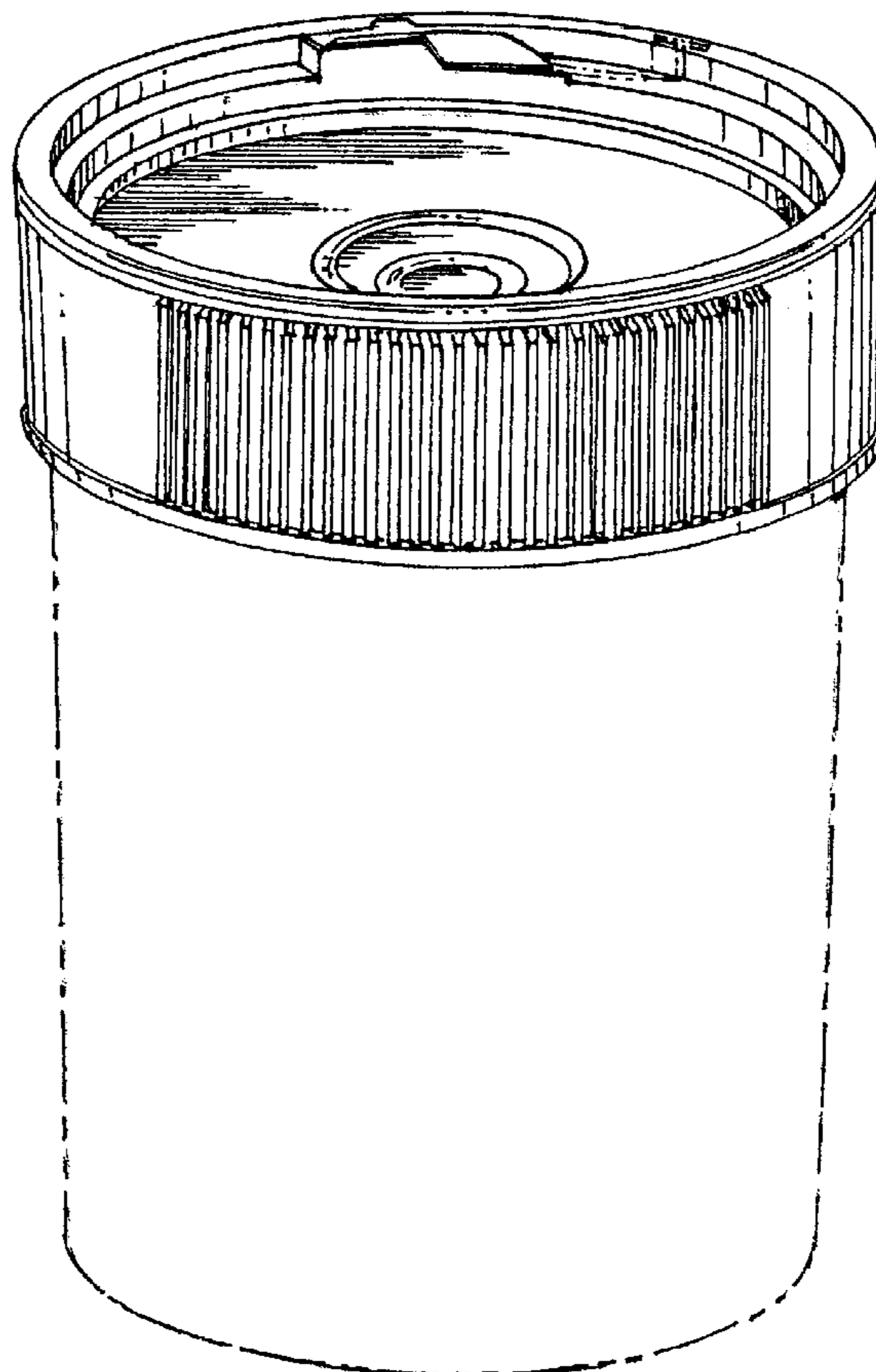
The ornamental design for a dry pail lid, as shown and described.

DESCRIPTION

FIG. 1 is a front perspective view of a dry pail lid attached to a pail, shown in phantom, embodying my new design; FIG. 2 is a top view thereof having an optional tamper device which is shown in phantom; FIG. 3 is one side view thereof as viewed from the bottom side of FIG. 2, the opposite side view being identical thereto; and, FIG. 4 is the other side view thereof as viewed ninety degrees relative to the view of FIG. 3, the opposite side view being identical thereto.

The broken lines are for illustrative purposes only and form no part of the claimed design.

1 Claim, 2 Drawing Sheets



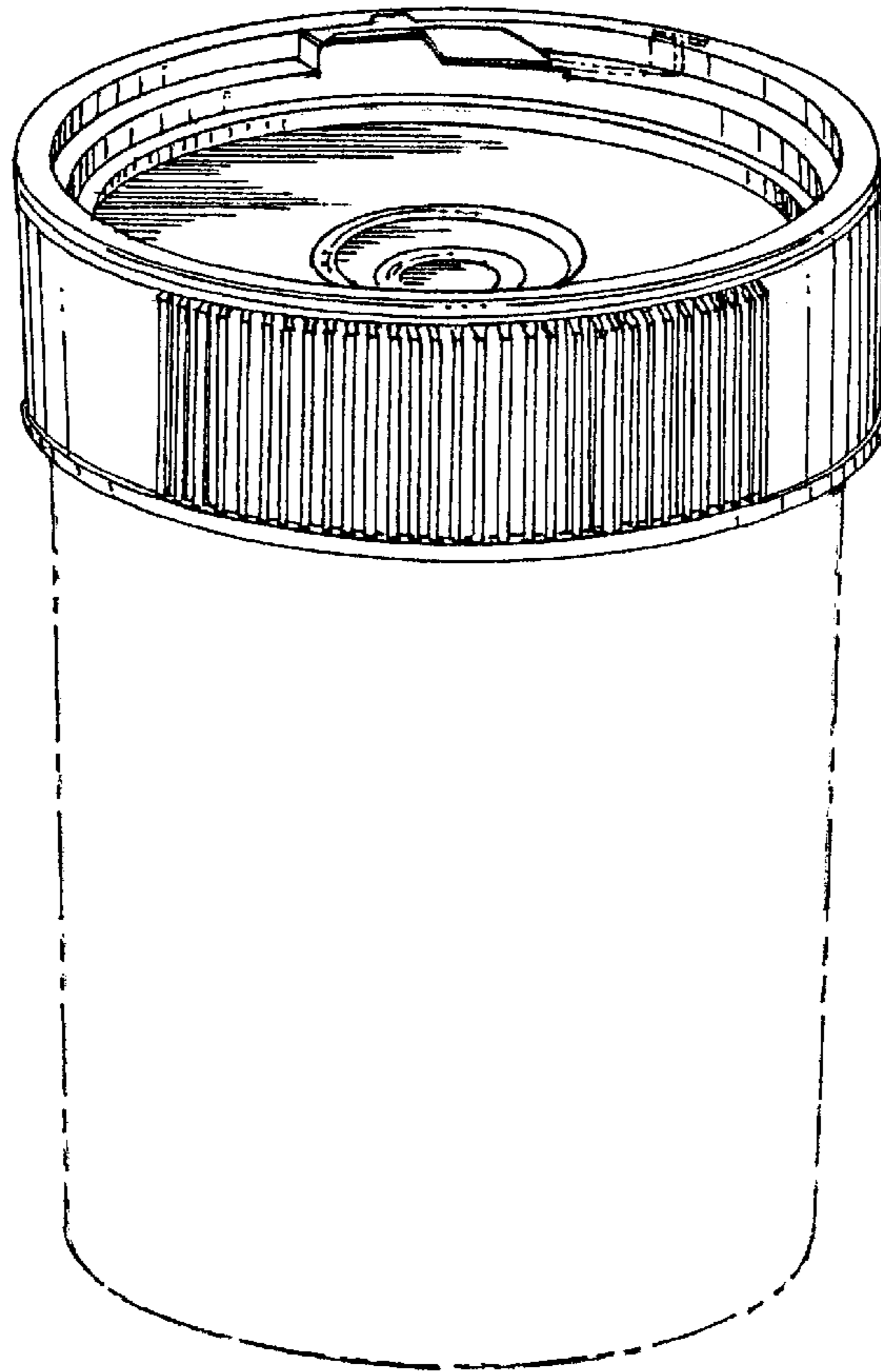


FIG. 1

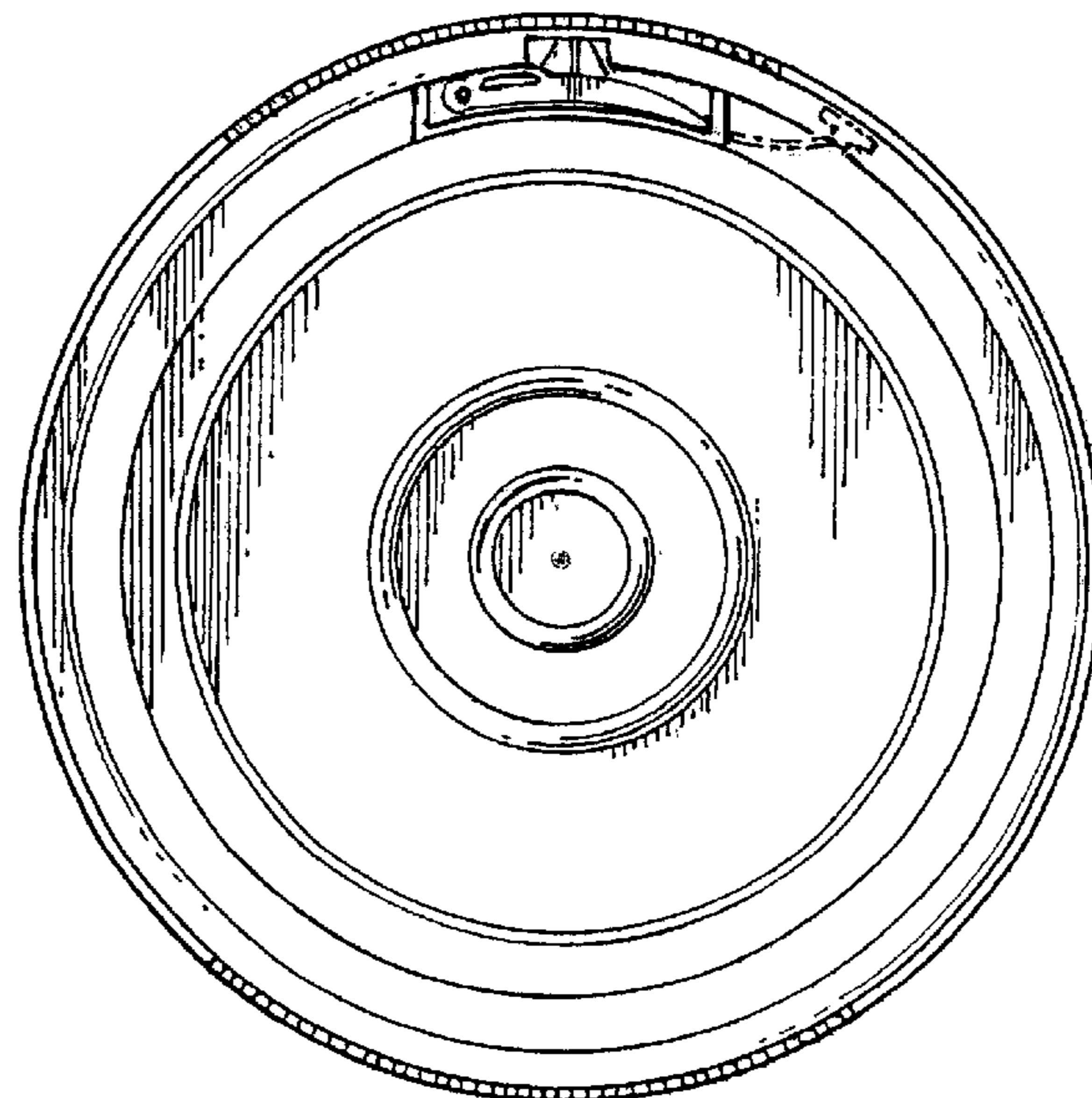


FIG. 2

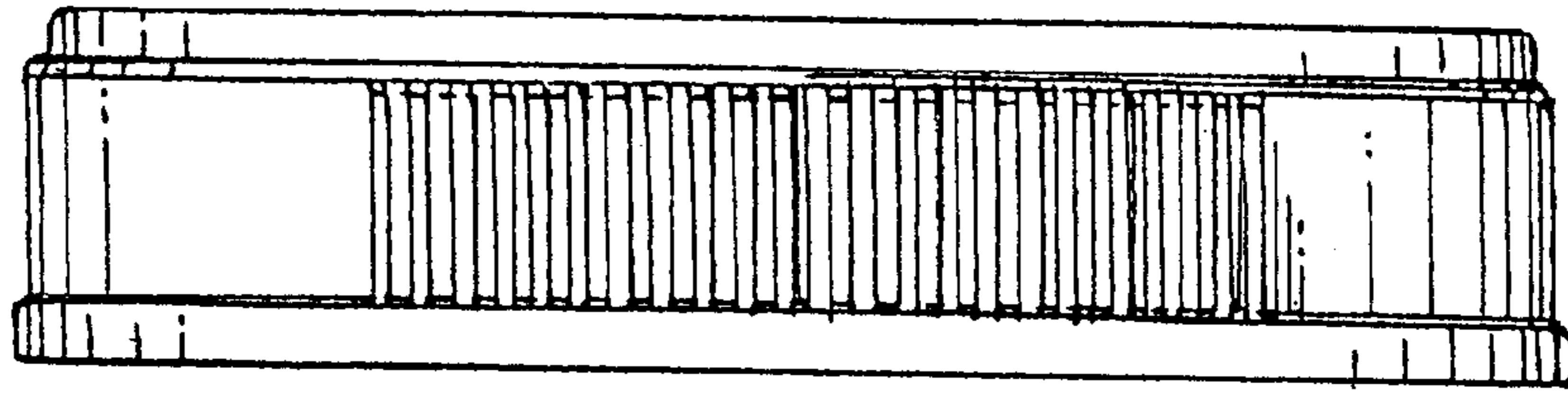


FIG. 3

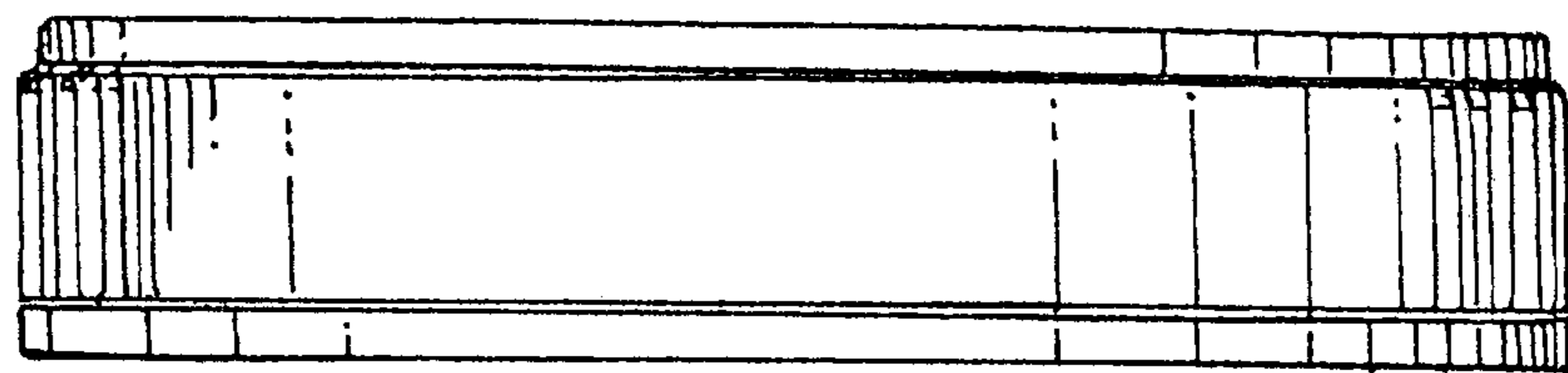


FIG. 4