

US00D504985S

(12) **United States Design Patent**
Buzzi

(10) **Patent No.: US D504,985 S**

(45) **Date of Patent: ** May 10, 2005**

(54) **STEAM GUN**

6,735,813 B2 * 5/2004 Oohama 15/330

(75) **Inventor: Bruno Buzzi, Turin (IT)**

(73) **Assignee: Buzzi S.r.l., Turin (IT)**

(**) **Term: 14 Years**

(21) **Appl. No.: 29/195,390**

(22) **Filed: Dec. 11, 2003**

(30) **Foreign Application Priority Data**

Jun. 11, 2003 (EP) 000038971

(51) **LOC (7) Cl. 15-05**

(52) **U.S. Cl. D32/17**

(58) **Field of Search** D32/17-18, 31;
15/344, 329, 320-322, 324, 339; 68/222,
5 A; 362/91; 122/379; 134/198; 392/403-405

(56) **References Cited**

U.S. PATENT DOCUMENTS

5,341,541	A	*	8/1994	Sham	15/320
5,386,612	A	*	2/1995	Sham	15/320
6,031,969	A	*	2/2000	Burr et al.	392/404
D421,670	S	*	3/2000	Schupp	D32/17
D441,508	S	*	5/2001	Doria	D32/17
D445,972	S	*	7/2001	Doria	D32/17
6,314,972	B1	*	11/2001	Sin	134/105
6,490,753	B1	*	12/2002	Chen	15/320
D468,496	S	*	1/2003	Smith	D32/17
6,536,379	B1	*	3/2003	Liu	122/379
D475,164	S	*	5/2003	Murray et al.	D32/17
D475,819	S	*	6/2003	Milanese	D32/17

OTHER PUBLICATIONS

DeLonghi SG30 Steam Gun Steam Cleaner [online], copyright 1999-2004, [retrieved on Dec. 9, 2004]. Retrieved from the Internet: <URL:http://www.epinions.com/pr-DeLonghi_Steam_Cleaner> Delonghi ad, one page, no page number.*

Hoover H1005 Deluxe Handheld Mop/Steam Cleaner [online], copyright 1996-2004, [retrieved on Dec. 10, 2004]. Retrieved from the Internet: URL:http://www.amazon.com/exec/obidos/tg/detail-B00020R0XS/104-0028812-627592> Hoover ad, one page, no page number.*

* cited by examiner

Primary Examiner—Ruth McInroy

(74) *Attorney, Agent, or Firm*—Sughrue Mion, PLLC

(57) **CLAIM**

The ornamental design for a steam gun, as shown.

DESCRIPTION

FIG. 1 is a top, front and right side perspective view of a steam gun showing my new design; FIG. 2 is a left side elevational view thereof; FIG. 3 is a right side elevational view thereof; FIG. 4 is an enlarged front elevational view thereof; FIG. 5 is an enlarged rear elevational view thereof; FIG. 6 is a top plan view thereof; and, FIG. 7 is a bottom plan view thereof.

1 Claim, 4 Drawing Sheets

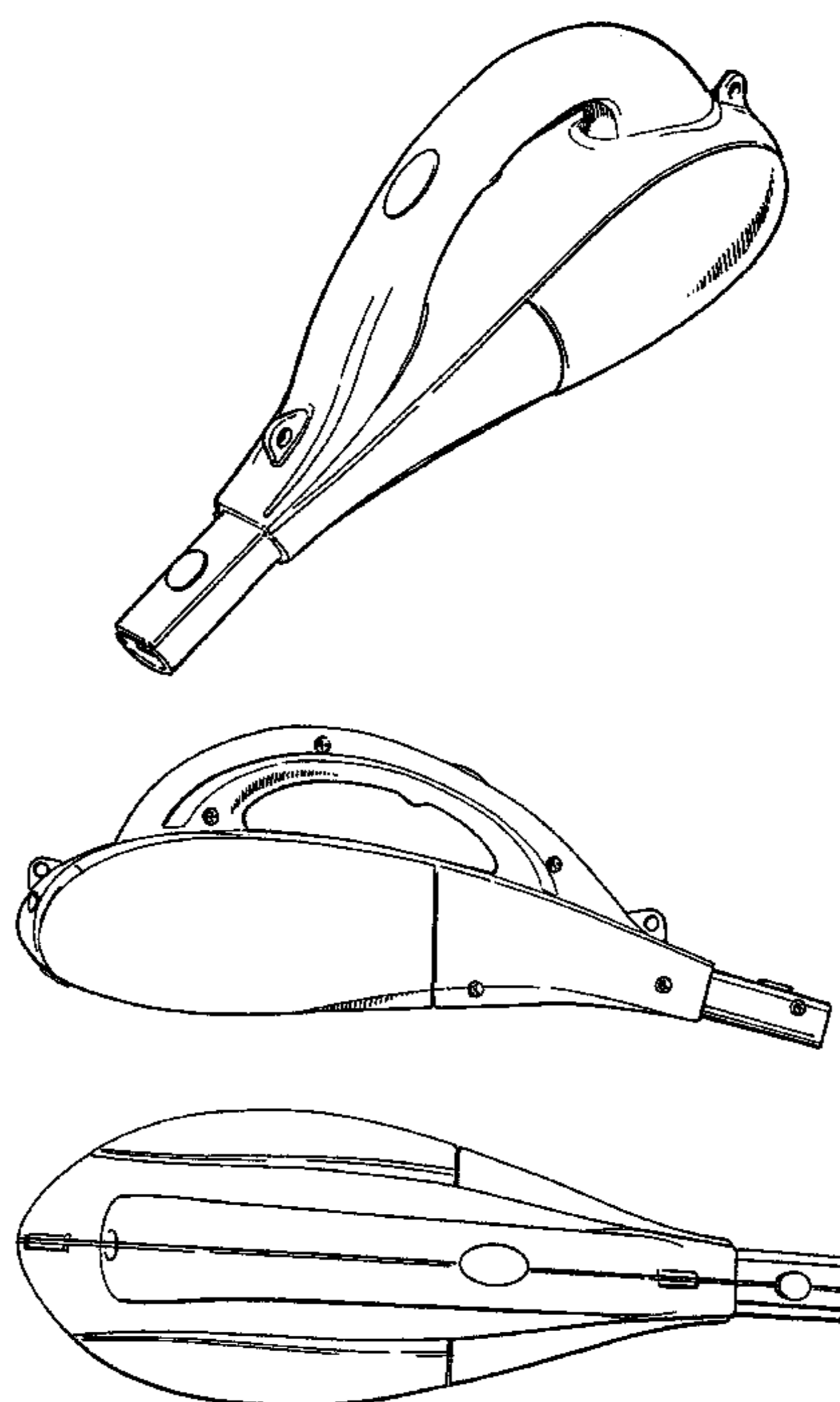


FIG. 1

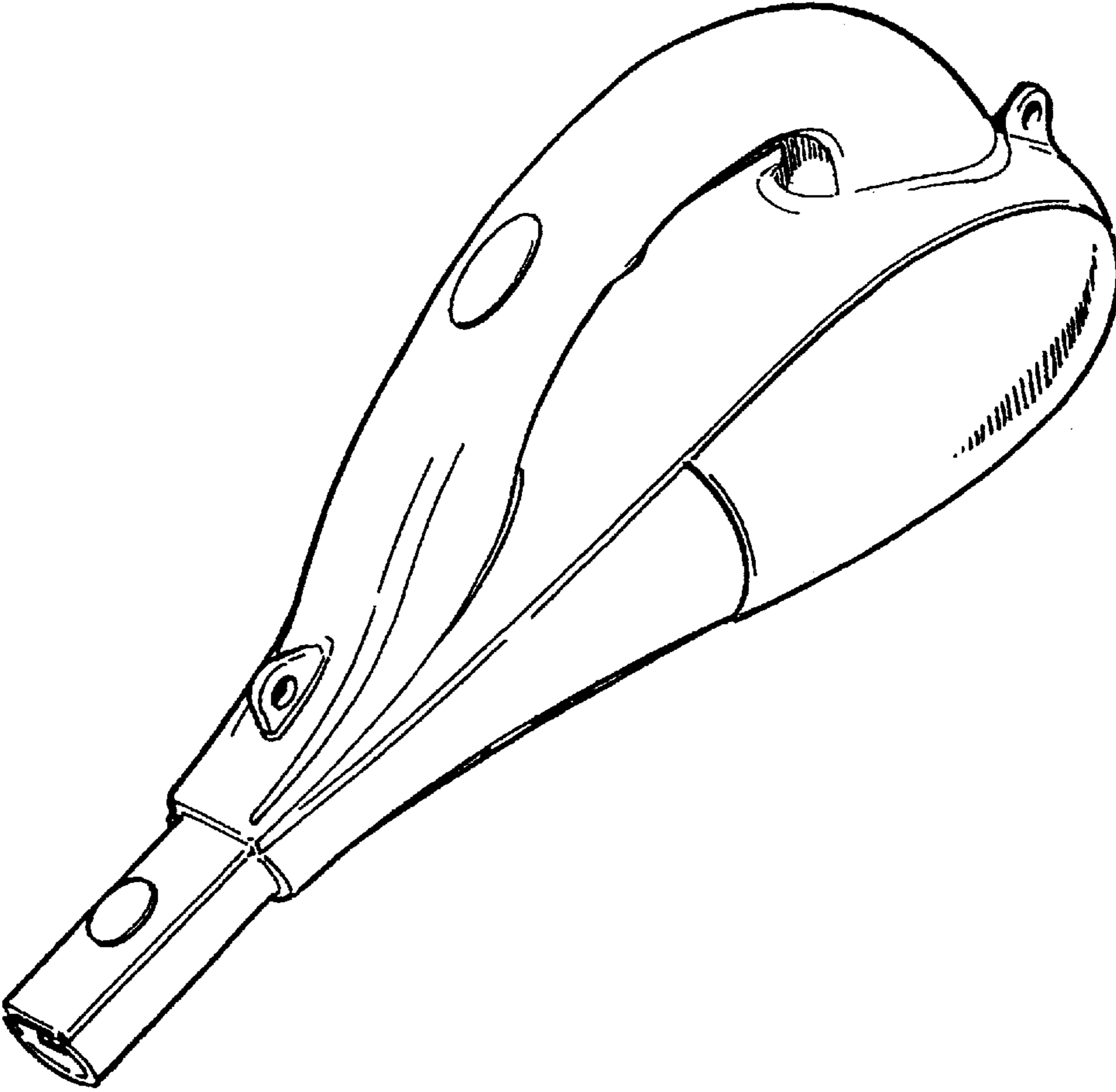


FIG. 2

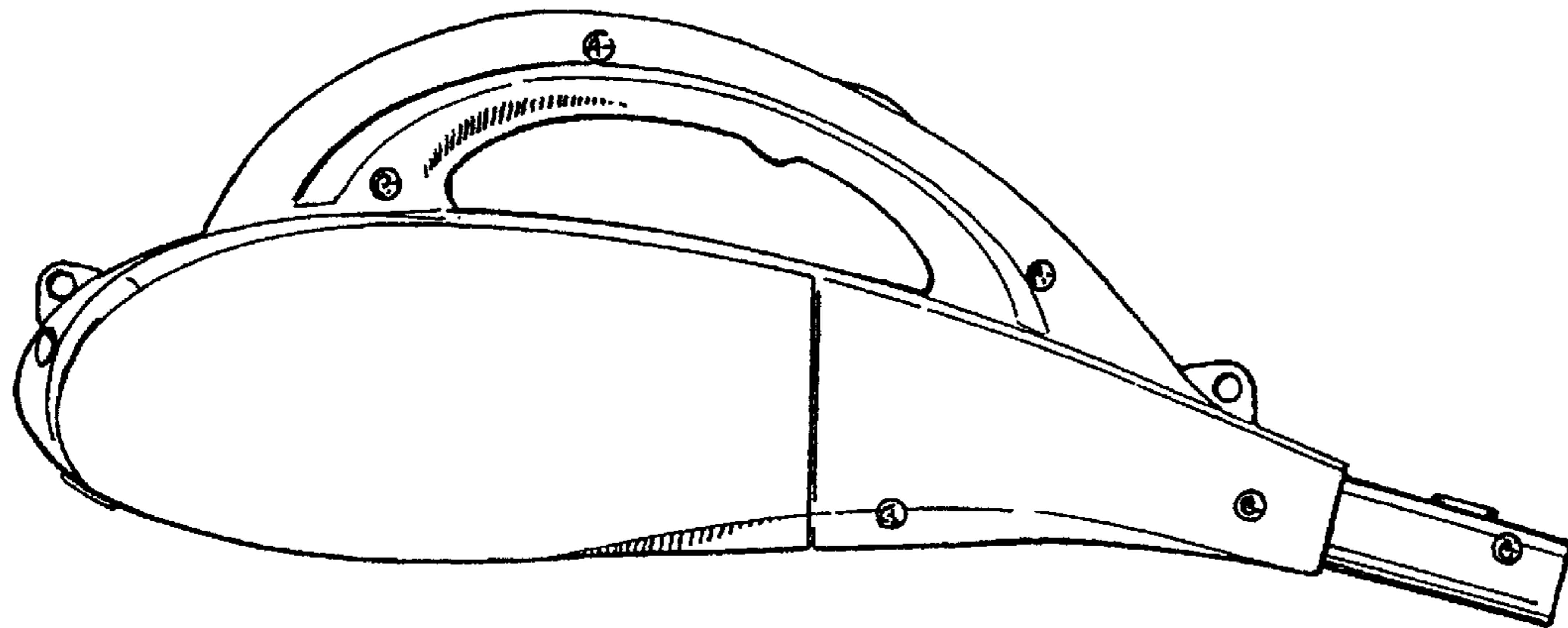
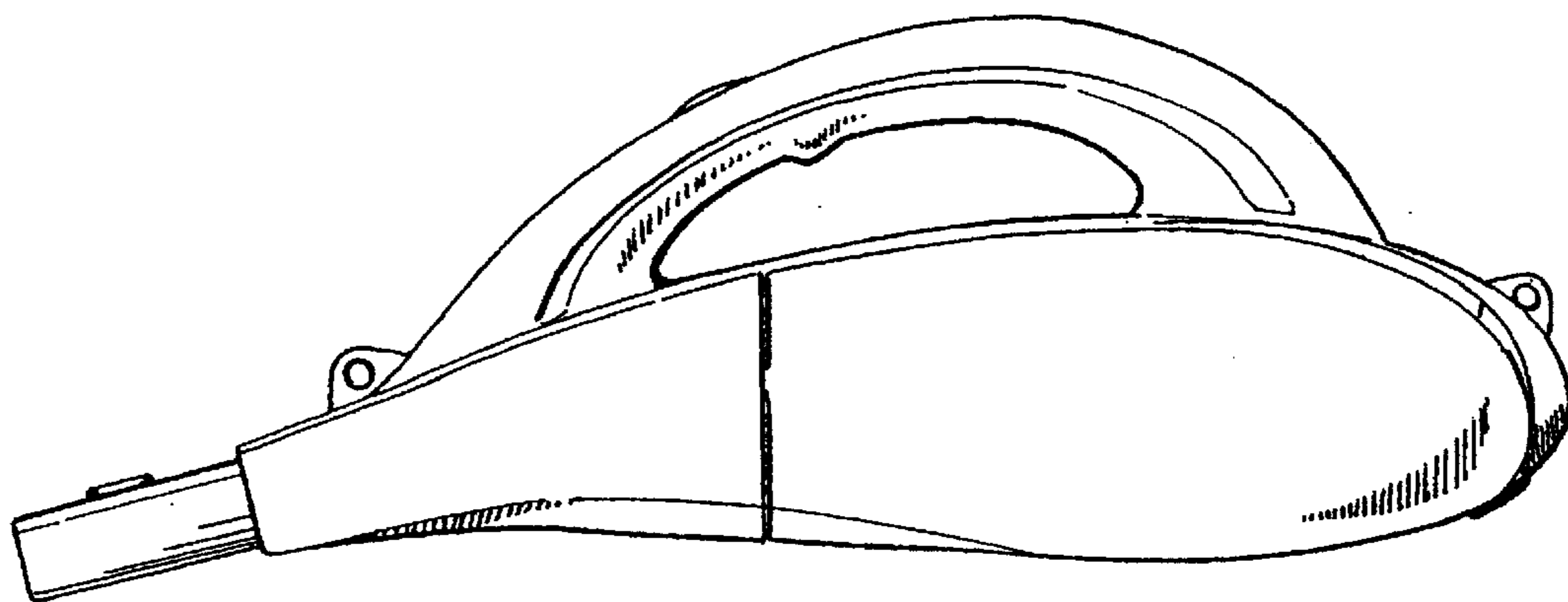


FIG. 3



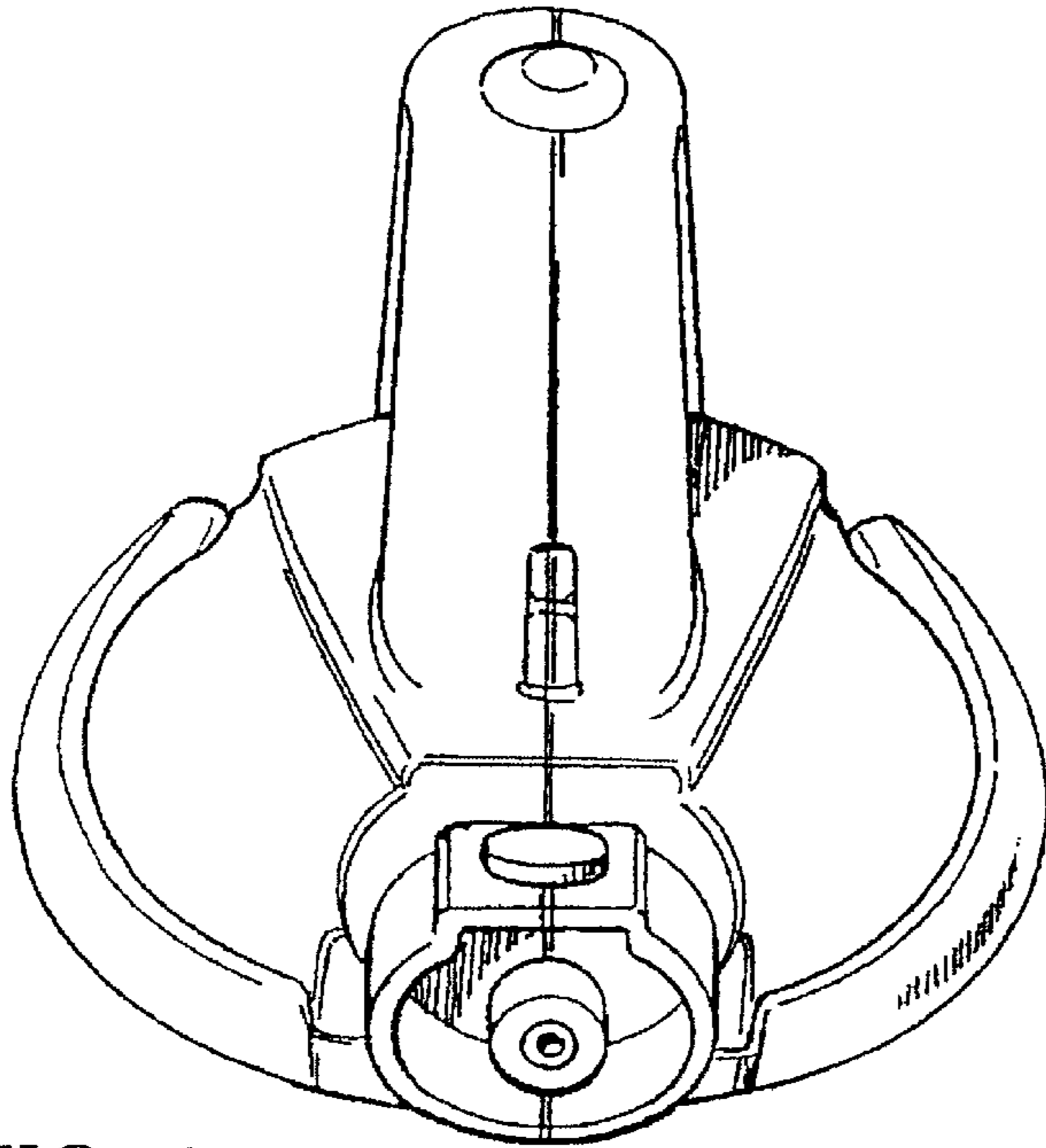


FIG. 4

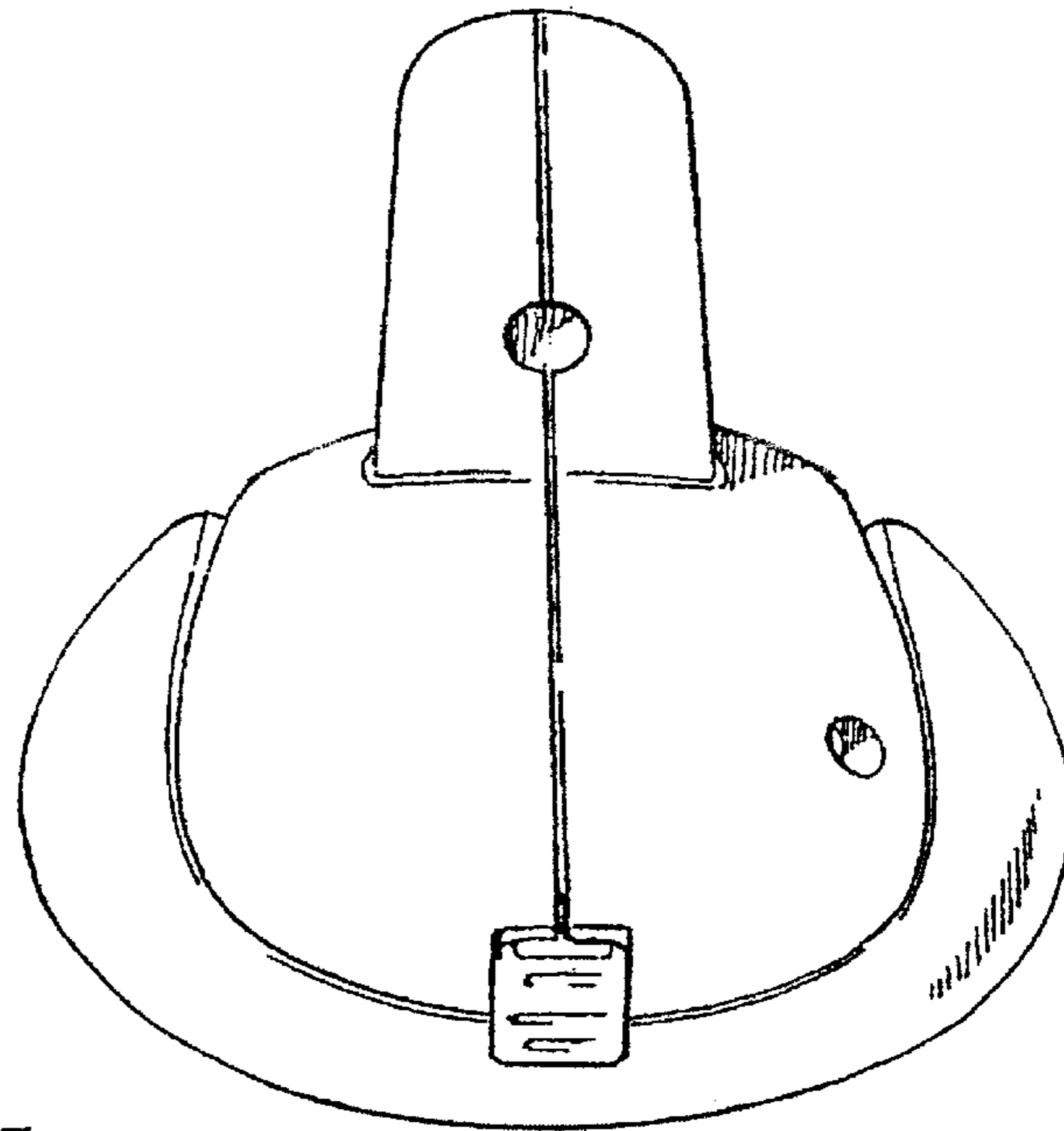


FIG. 5

FIG. 6

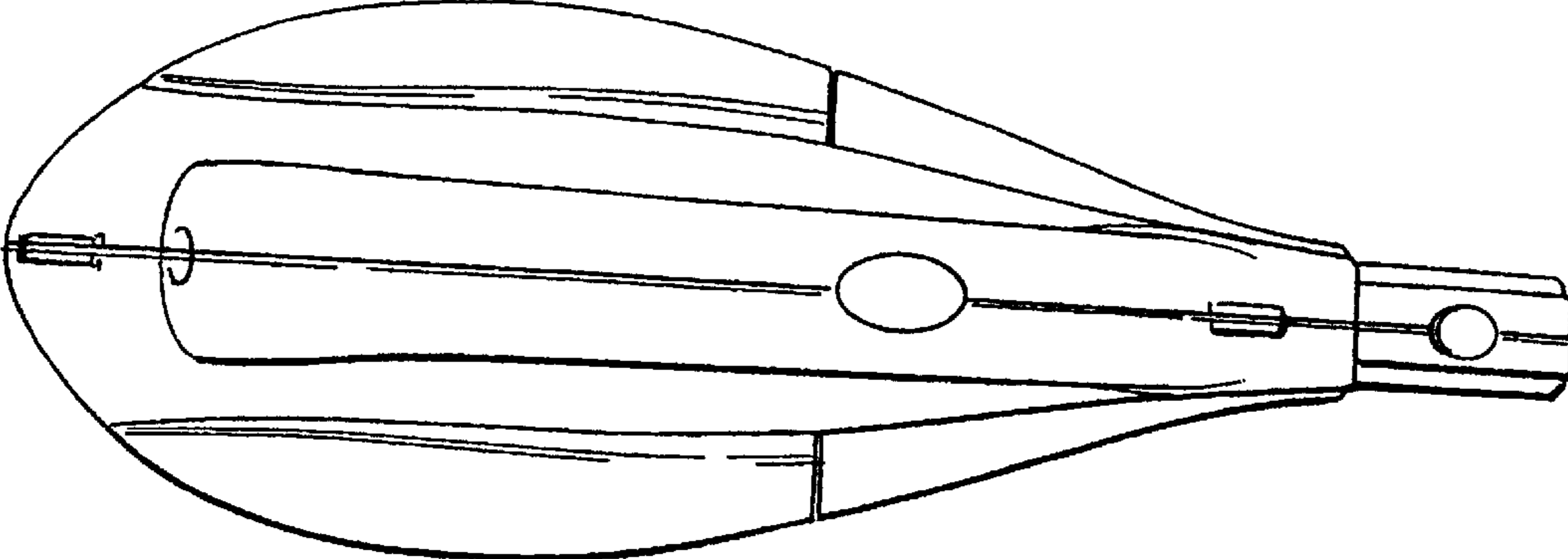


FIG. 7

