



US00D504983S

(12) **United States Design Patent**
Weyand

(10) **Patent No.:** **US D504,983 S**
(45) **Date of Patent:** **** May 10, 2005**

(54) **MEDIUM SHANK COMBINATION BIT**

(75) Inventor: **Daniel J. Weyand**, Shadow Hills, CA (US)

(73) Assignee: **Mikmar Bit Company L.L.C.**, Shadow Hills, CA (US)

(**) Term: **14 Years**

(21) Appl. No.: **29/197,052**

(22) Filed: **Jan. 9, 2004**

(51) **LOC (7) Cl.** **30-04**

(52) **U.S. Cl.** **D30/136**

(58) **Field of Search** D30/136-140;
54/7-8, 6.1; D8/382

(56) **References Cited**

U.S. PATENT DOCUMENTS

1,130,638 A	3/1915	Schlueter	
2,460,912 A *	2/1949	Wagner et al.	54/7
2,669,817 A	2/1954	O'Donnell	
2,745,235 A	5/1956	Evans	
4,063,404 A	12/1977	Taylor	
D252,163 S *	6/1979	Johnson	D30/136
5,062,255 A	11/1991	Myler et al.	

OTHER PUBLICATIONS

- First horse bit design, Figures 1A-1F.
- Second horse bit design, Figures 2A-2F.
- Third horse bit design, Figures 3A-3F.
- Horse bit design, Figure 1.

Horse bit design, Figure 2.
Horse bit design, Figure 3.

* cited by examiner

Primary Examiner—Pamela Burgess
(74) *Attorney, Agent, or Firm*—Kolisch Hartwell, P.C.

(57) **CLAIM**

I claim the ornamental design for a medium shank combination bit, as shown and described.

DESCRIPTION

FIG. 1 is a top right front perspective view of a medium shank combination bit showing an embodiment of my new design, the top left front perspective view being a mirror image thereof.

FIG. 2 is a bottom plan view of the embodiment of FIG. 1.

FIG. 3 is a top plan view of the embodiment of FIG. 1.

FIG. 4 is a right side elevational view of the embodiment of FIG. 1, the left side elevational view being a mirror image thereof.

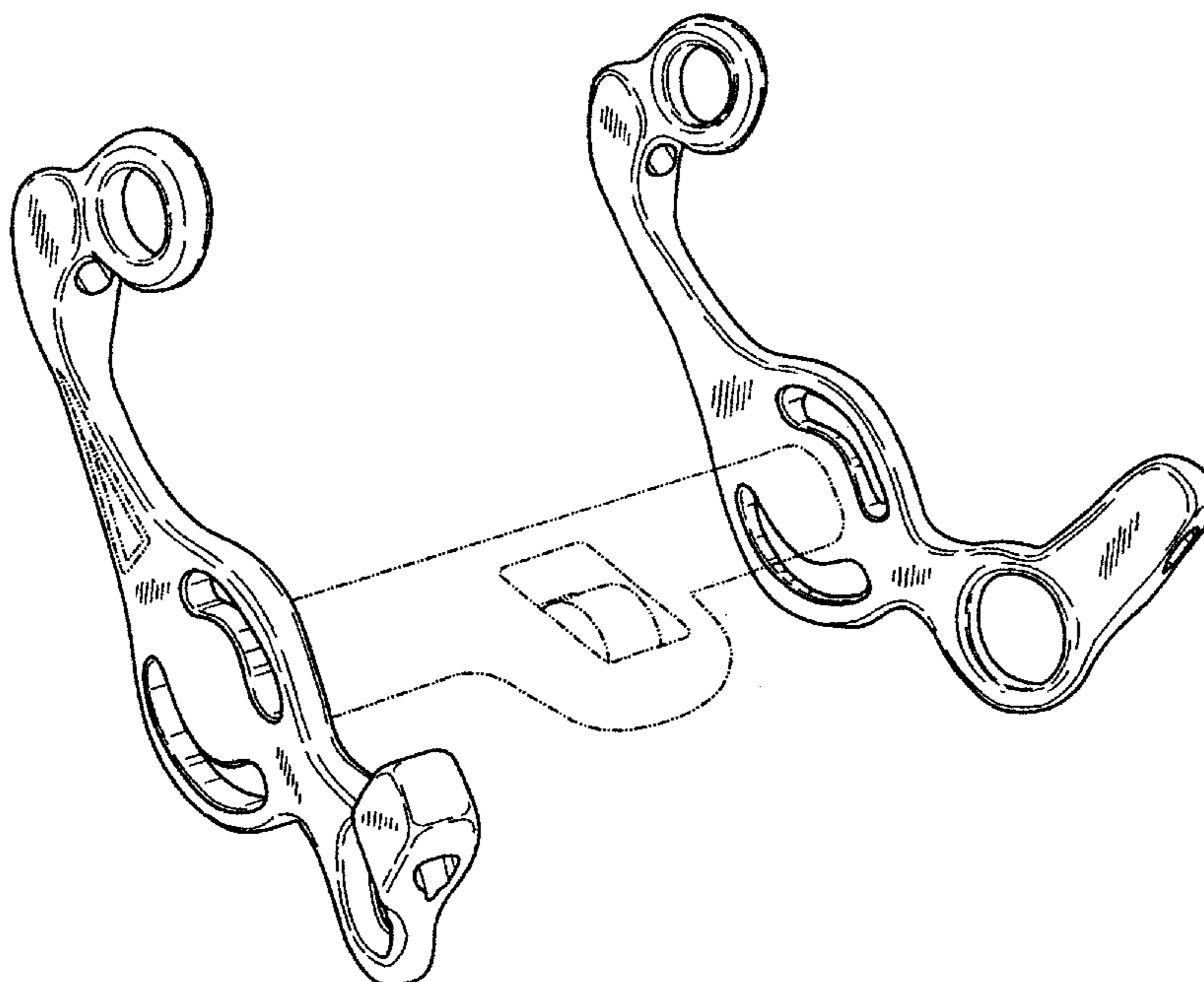
FIG. 5 is a front elevational view of the embodiment of FIG. 1; and,

FIG. 6 is a rear elevational view of the embodiment of FIG. 1.

The broken or dashed lines shown in the drawings are for illustrative purposes only and form no part of the claimed design.

The shading lines shown in the drawings represent the approximate three-dimensional contour of the design, and are not intended to indicate surface decoration.

1 Claim, 3 Drawing Sheets



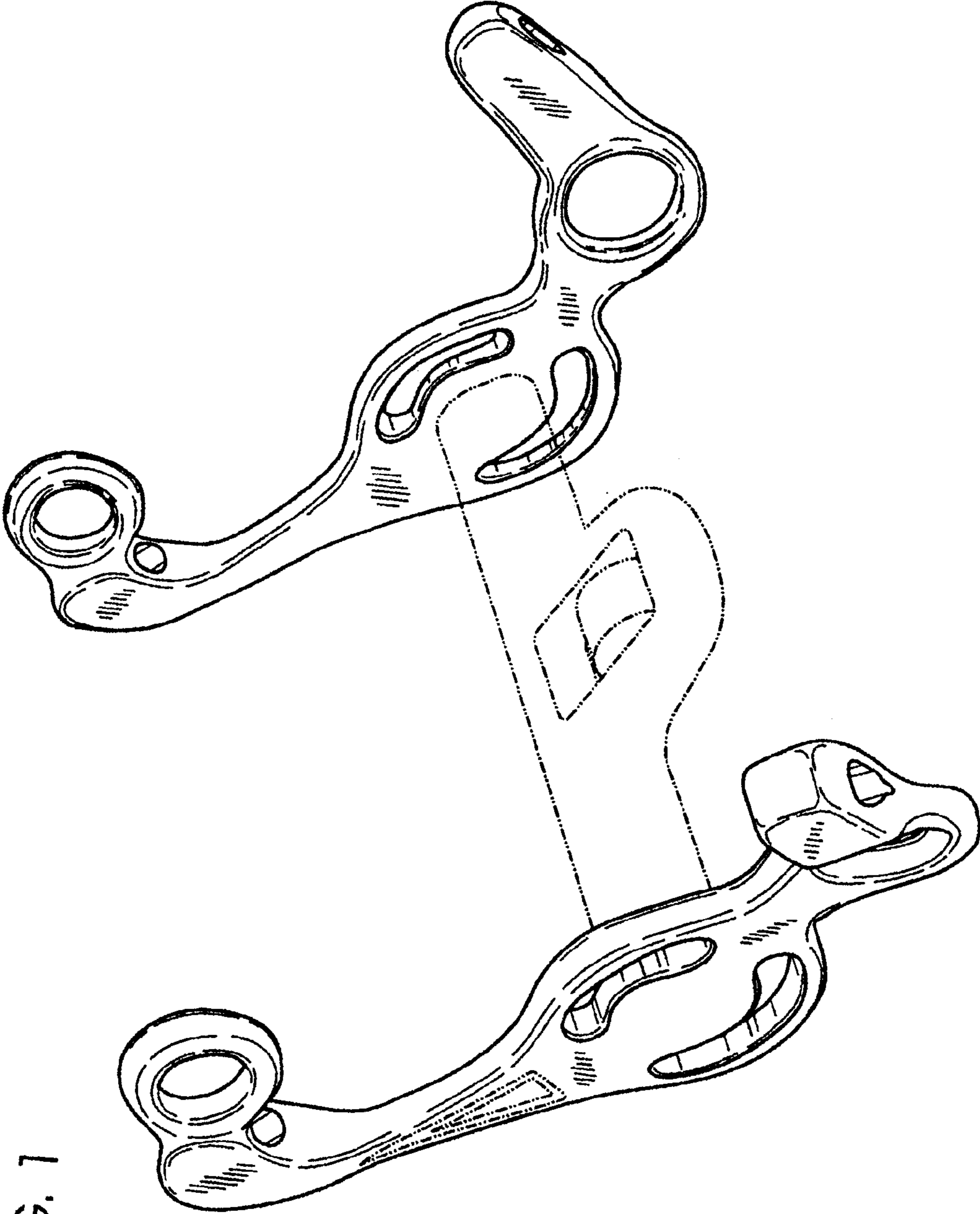


FIG. 1

FIG. 2

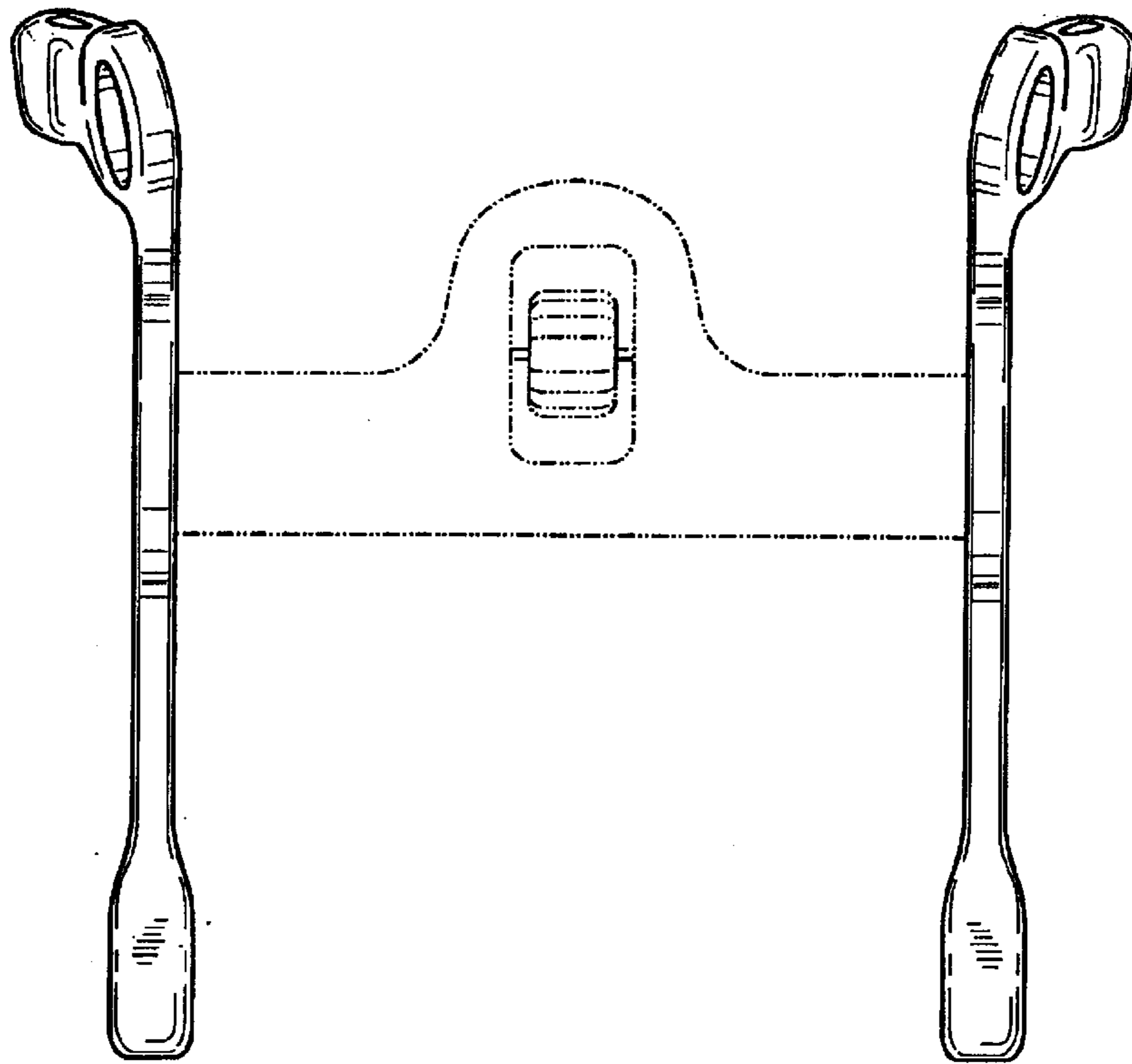


FIG. 3

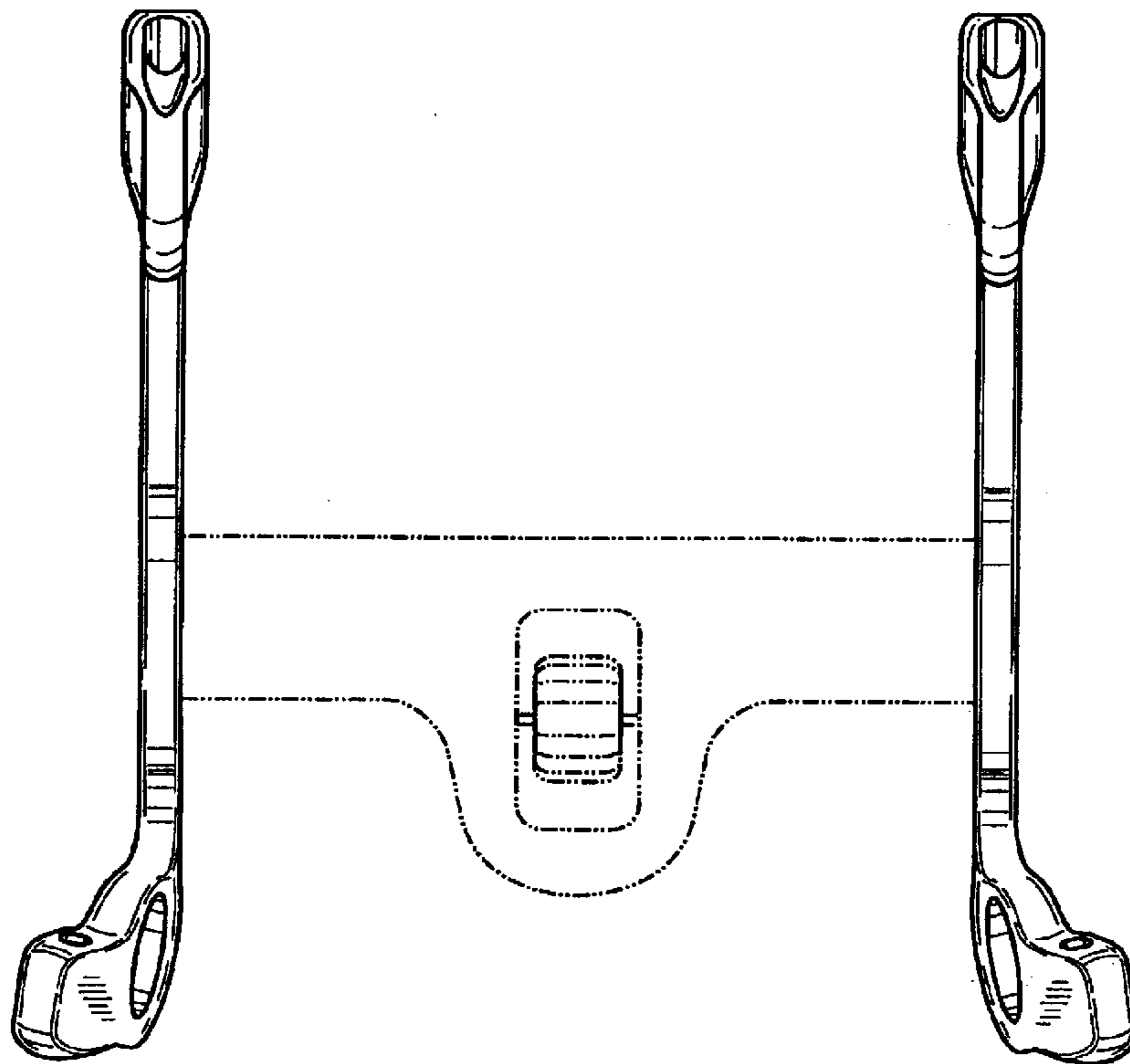


FIG. 4

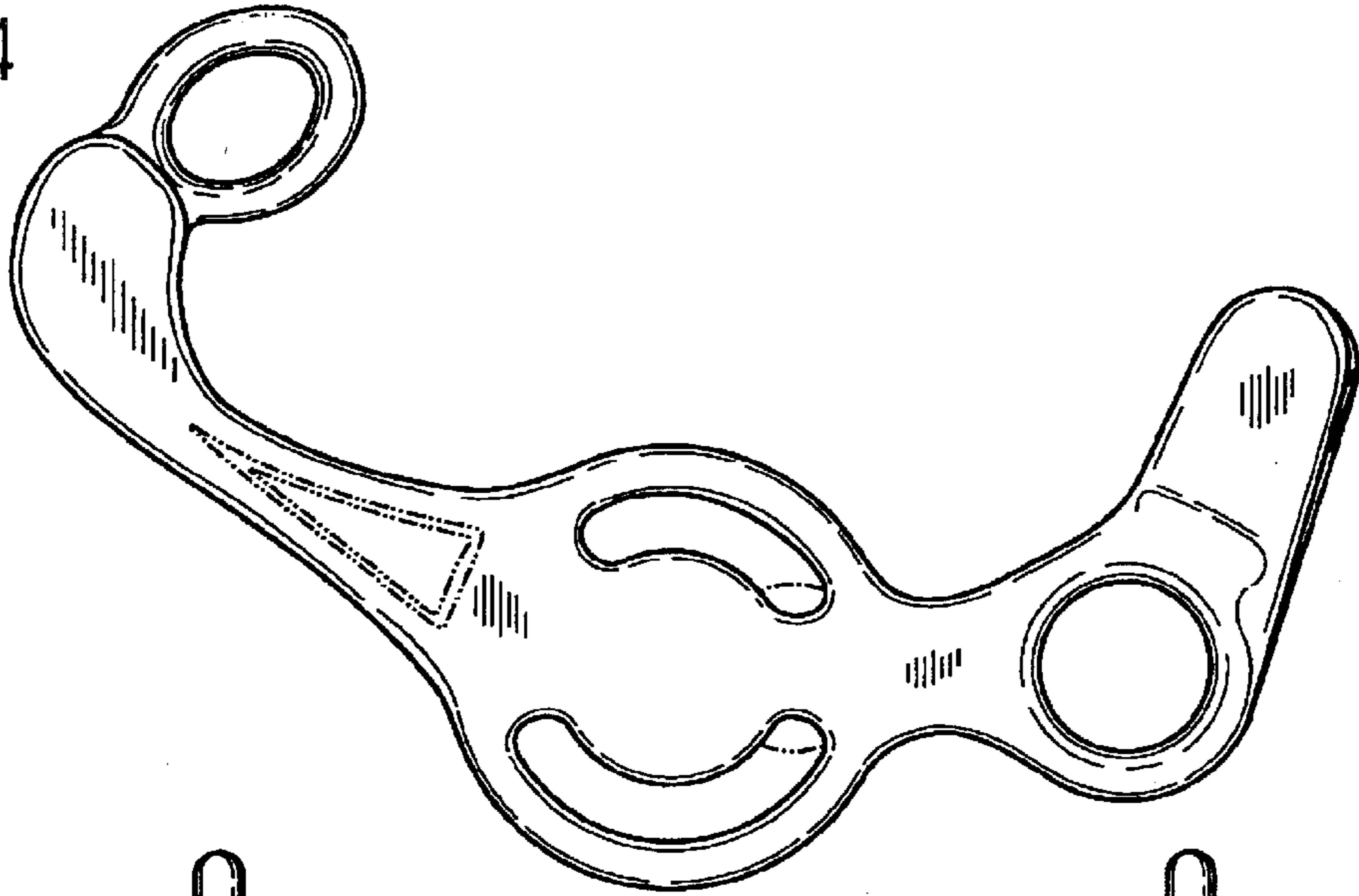


FIG. 5

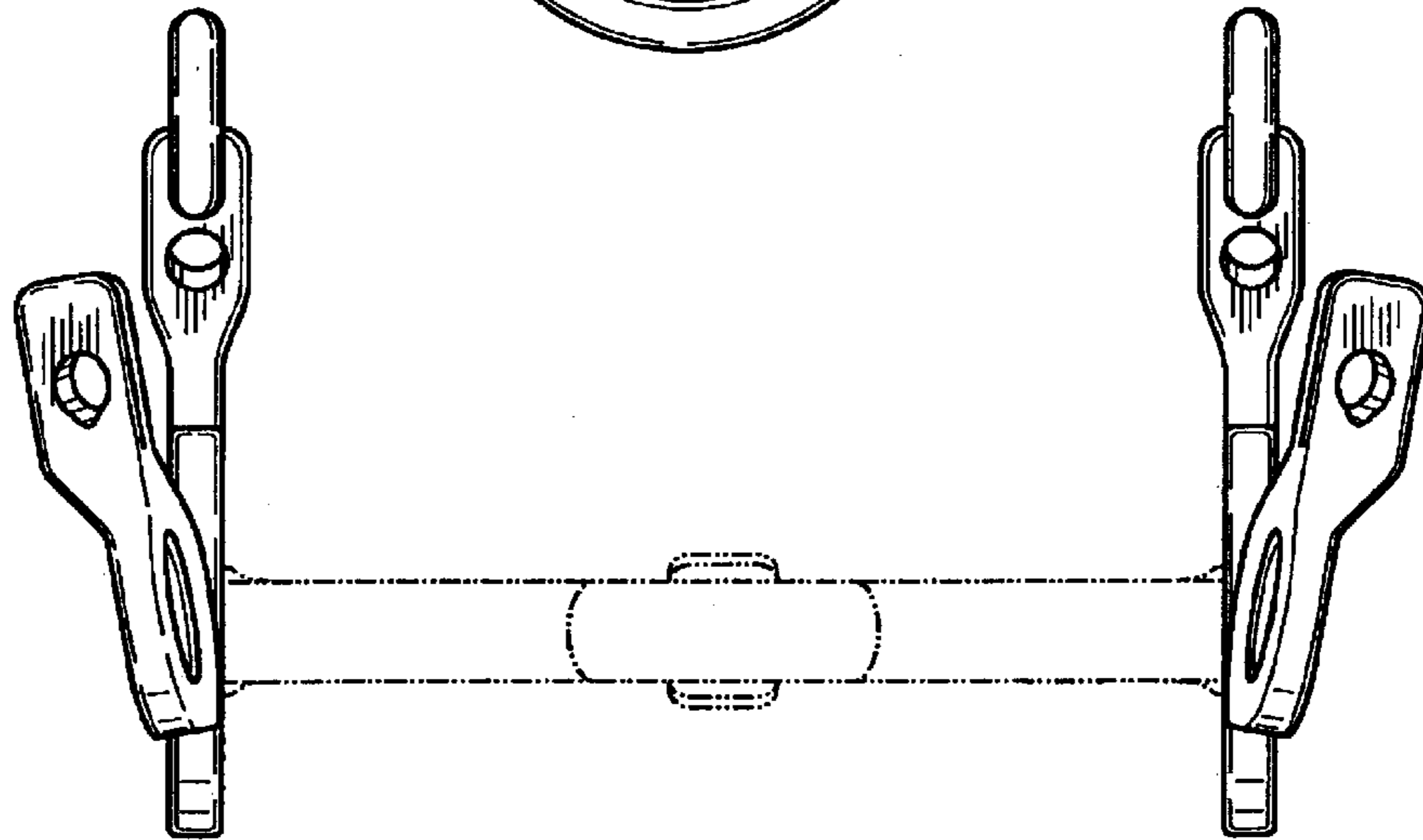


FIG. 6

