



US00D504982S

(12) **United States Design Patent**  
**Kim**

(10) **Patent No.:** **US D504,982 S**

(45) **Date of Patent:** **\*\* May 10, 2005**

(54) **WATER SUPPLY APPARATUS FOR PET ANIMALS**

(76) **Inventor:** **Ki-Ho Kim**, 613-7 Bakdal-dong,  
Manan-gu Anyang-si, Kyunggi-do,  
430-030 (KR)

(\*\*) **Term:** **14 Years**

(21) **Appl. No.:** **29/205,443**

(22) **Filed:** **May 14, 2004**

(30) **Foreign Application Priority Data**

Mar. 30, 2004 (KR) ..... 30-04-0009053

(51) **LOC (7) Cl.** ..... **30-07**

(52) **U.S. Cl.** ..... **D30/121; D30/133; 119/72;**  
119/77; 119/76

(58) **Field of Search** ..... D30/121, 127,  
D30/1, 32-33; D7/700; 119/72, 72.5, 454,  
464, 76; 43/131; 211/85.13; 248/102-107,  
132, 146

(56) **References Cited**

**U.S. PATENT DOCUMENTS**

1,324,164 A \* 12/1919 Lydon ..... 119/76  
1,977,571 A \* 10/1934 Brumm ..... 137/454

2,364,991 A \* 12/1944 Marshall ..... 119/77  
2,725,665 A \* 12/1955 Mullen et al. .... 43/131  
2,875,729 A \* 3/1959 Gibson ..... 119/52.2  
3,589,338 A \* 6/1971 Lovitz ..... 119/51.01  
4,009,686 A \* 3/1977 Gilchrist ..... 119/468  
6,684,815 B1 \* 2/2004 Rakoczy ..... 119/72  
6,817,314 B1 \* 11/2004 Conte ..... 119/72.5

\* cited by examiner

*Primary Examiner*—Alan P. Douglas

*Assistant Examiner*—Susan M. Lee

(74) *Attorney, Agent, or Firm*—Ladas & Parry LLP

(57) **CLAIM**

The ornamental design for water supply apparatus for pet animals, as shown as described.

**DESCRIPTION**

FIG. 1 is a perspective view of the water supply apparatus for pet animals showing my new design; FIG. 2 is a front side view thereof; FIG. 3 is a back side view thereof; FIG. 4 is a right side view thereof; FIG. 5 is a left side view thereof; FIG. 6 is a top view thereof; and, FIG. 7 is a bottom view thereof.

**1 Claim, 4 Drawing Sheets**

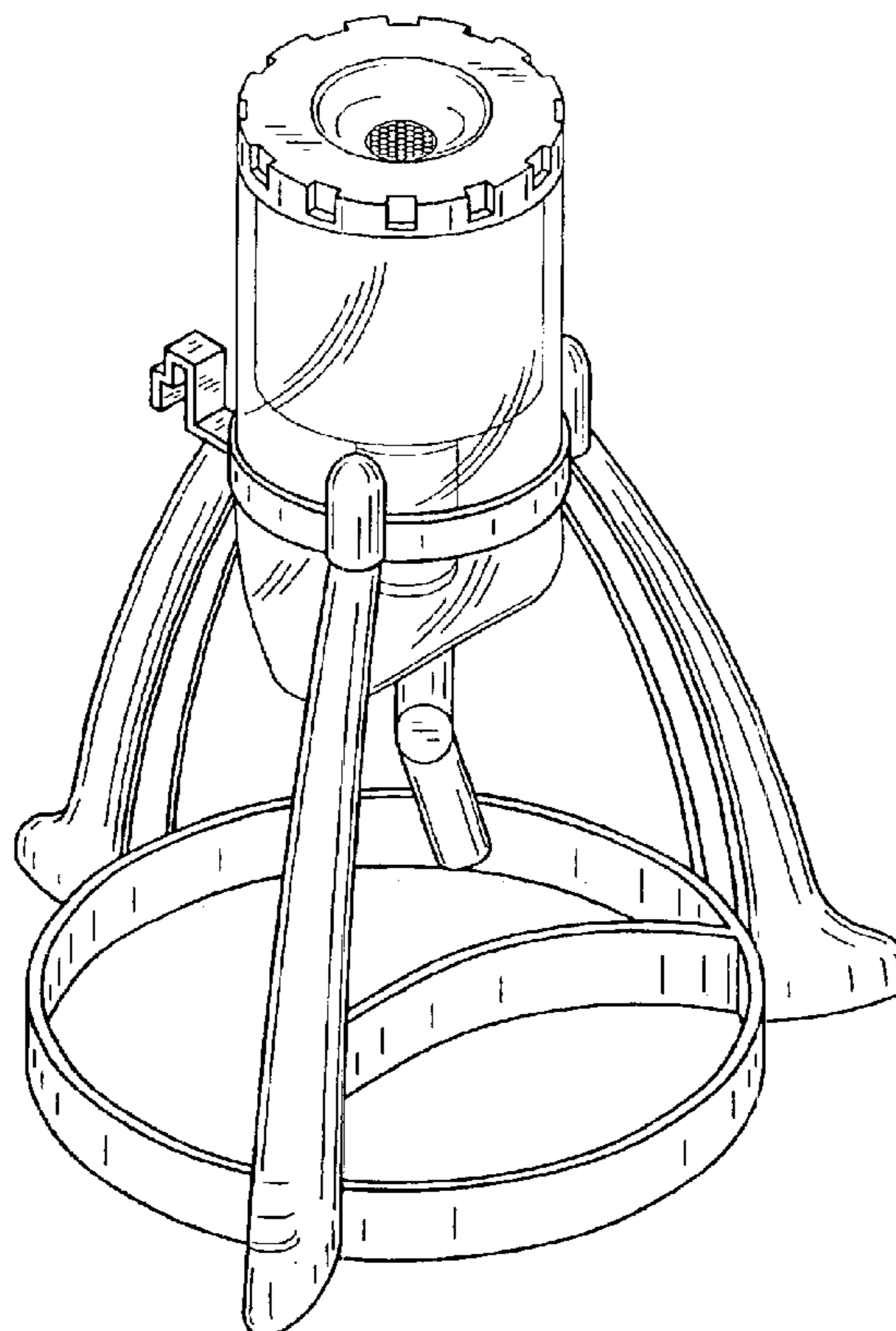


FIG. 1

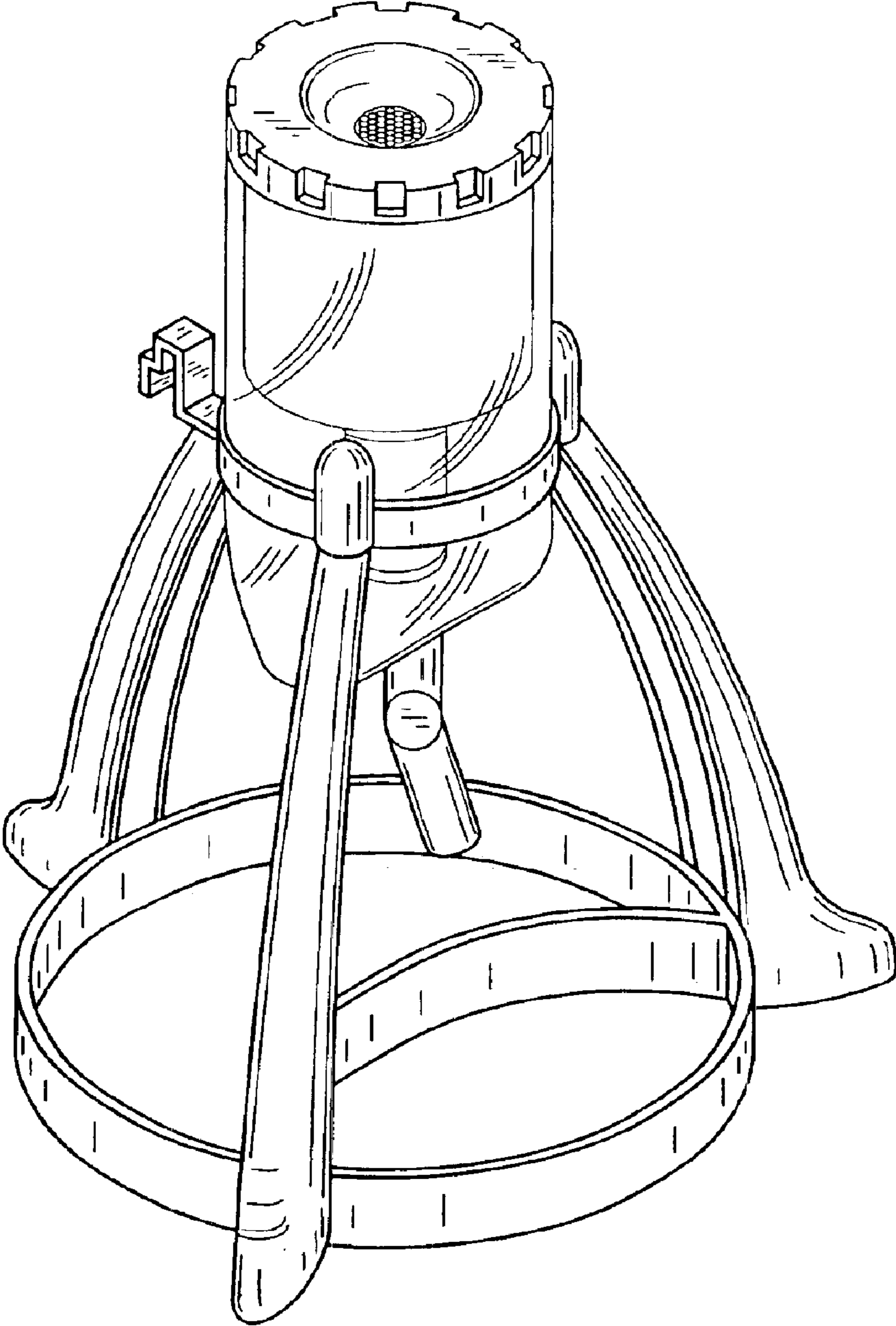


FIG. 2

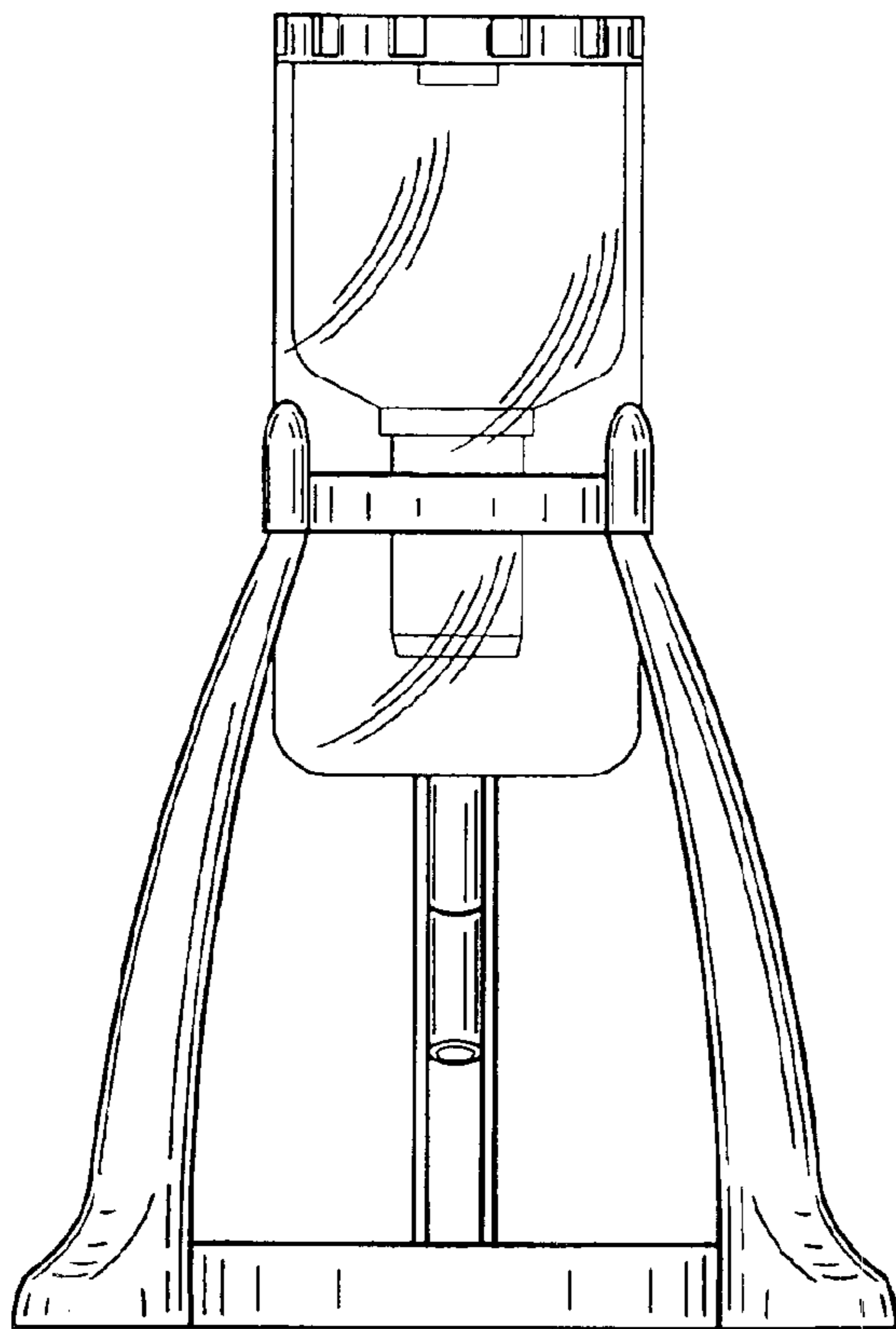


FIG. 3

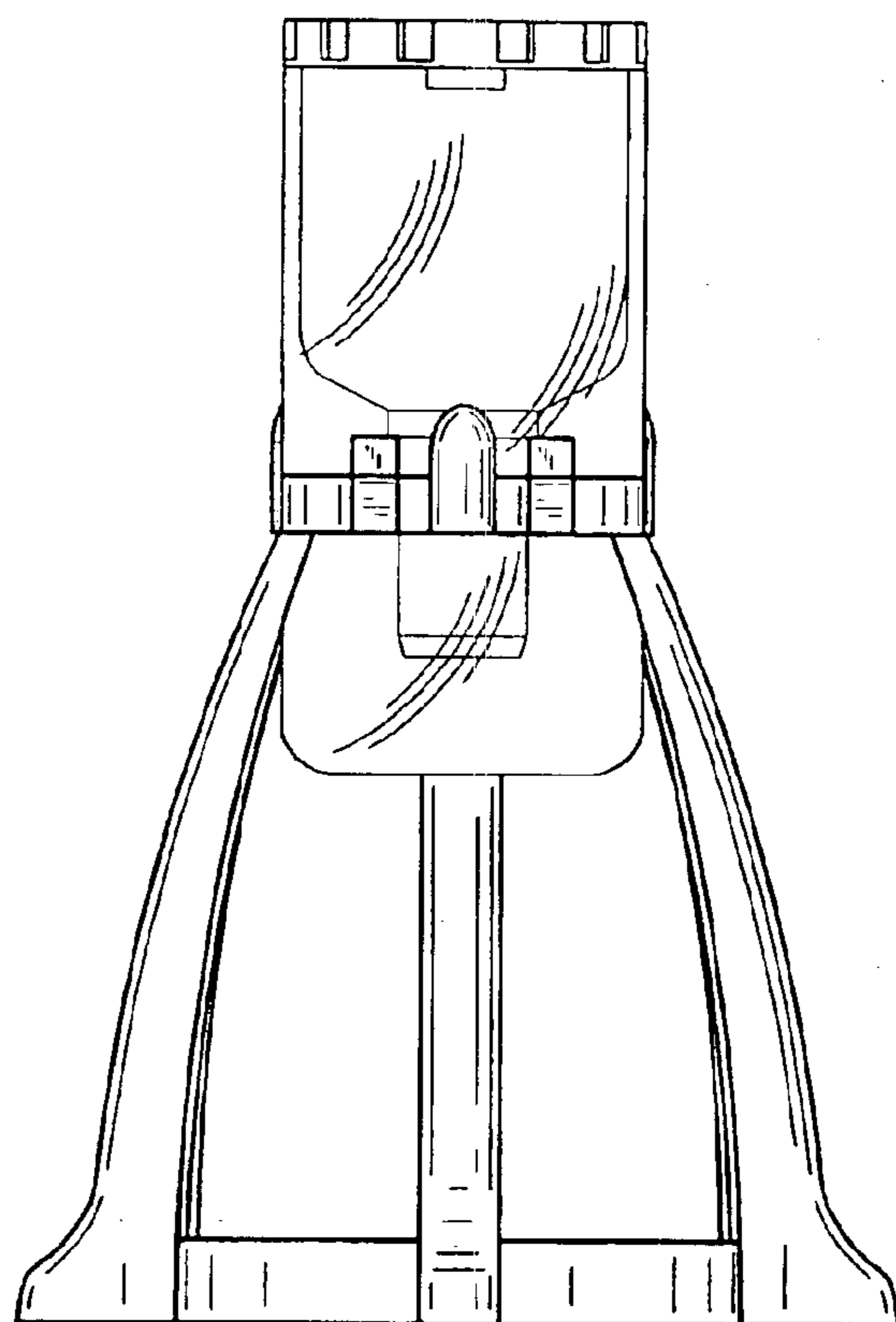


FIG. 4

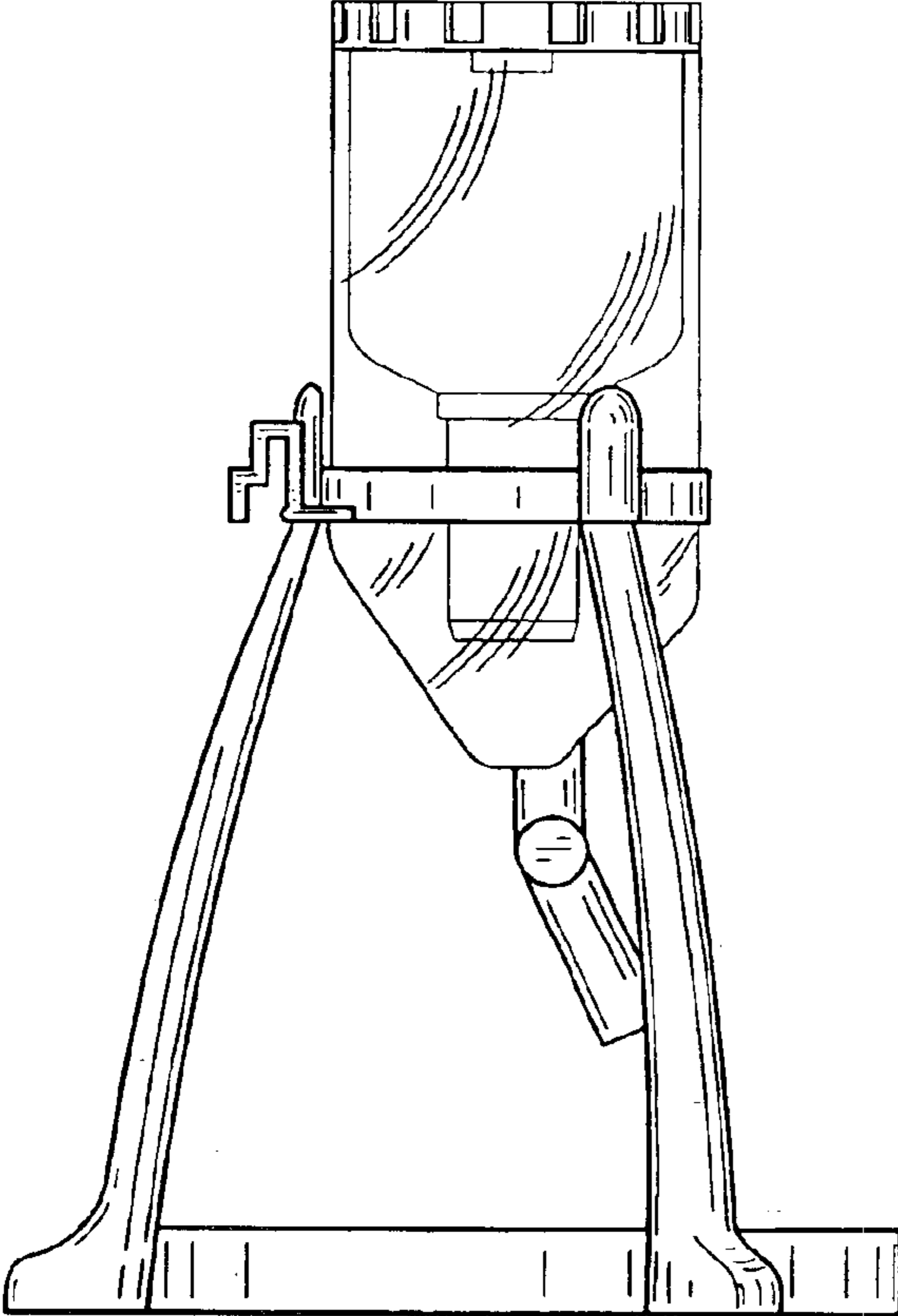


FIG. 5

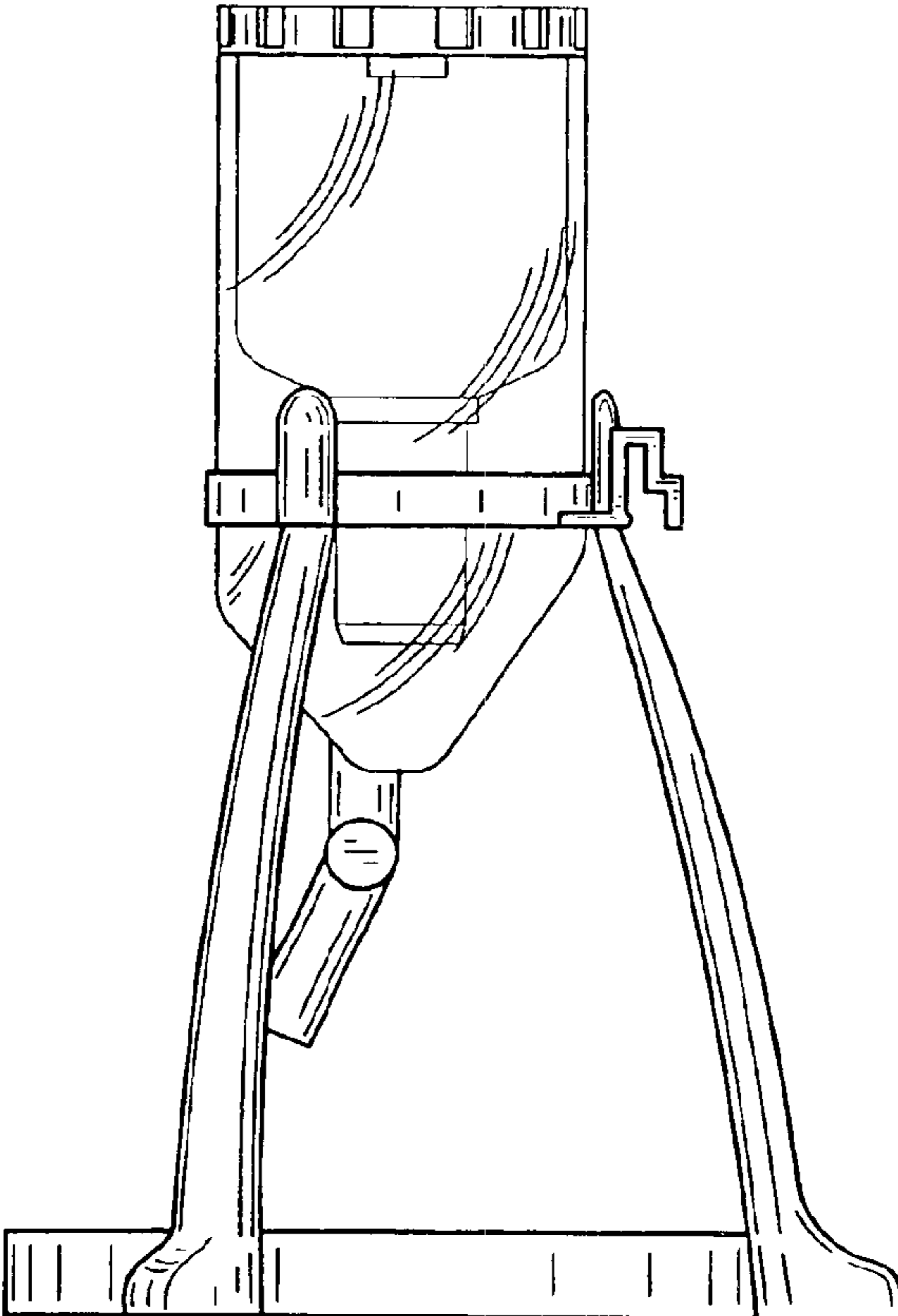


FIG. 6

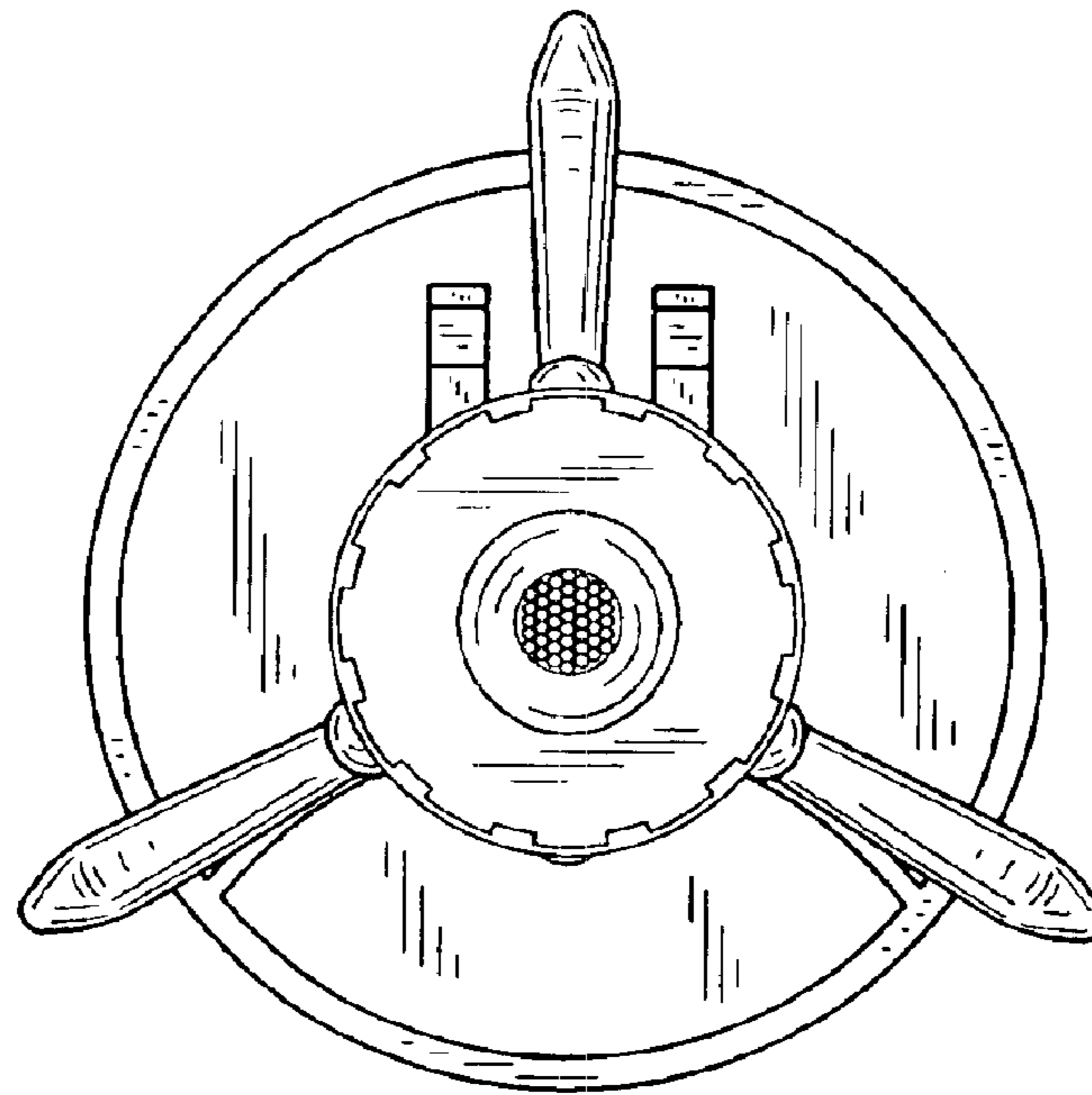


FIG. 7

