

US00D504977S

(12) **United States Design Patent** (10) **Patent No.:** **US D504,977 S**
Caicedo (45) **Date of Patent:** **** May 10, 2005**

(54) **APPARATUS FOR THE TREATMENT OF HAIR**

(75) Inventor: **Francisco Caicedo**, Madrid (ES)

(73) Assignee: **Ventura Enterprises, S.L.**, Madrid (ES)

(**) Term: **14 Years**

(21) Appl. No.: **29/198,106**

(22) Filed: **Jan. 26, 2004**

Related U.S. Application Data

(63) Continuation of application No. 29/152,239, filed on Dec. 19, 2001, now abandoned.

(30) **Foreign Application Priority Data**

Jun. 22, 2001 (ES) 151680

(51) **LOC (7) Cl.** **28-03**

(52) **U.S. Cl.** **D28/35**

(58) **Field of Search** D28/10, 35; 132/210, 132/212, 223-269, 271, 107, 122, 148; 219/222, 225

(56) **References Cited**

U.S. PATENT DOCUMENTS

- 294,309 A * 2/1884 Campbell 132/225
- 1,221,447 A * 4/1917 Henderson 132/118
- 1,472,561 A * 10/1923 Haberkamp 132/269
- D227,189 S * 6/1973 Cusenza D28/35
- D433,185 S * 10/2000 Hirata D28/35
- D440,710 S * 4/2001 Kaizuka D28/35
- 6,223,753 B1 * 5/2001 Lo 132/224

FOREIGN PATENT DOCUMENTS

ES 1045325 8/2000

OTHER PUBLICATIONS

Hong Kong Enterprise Oct. 1999, p. 194: item No. A945.*
Modern Salon Jan. 2001: 1) p. 51: "Euro Straightening Iron" at top. 2) p. 110: Futura Flat Iron.*

Data sheet for Spanish Pub. No. 1 045 325, Aug. 16, 2000, Pedro Artal Mediavilla.

Data sheet for PCT Pub. No. W9939553, Aug. 5, 1999, Winsor, Mark D.

Data sheet for PCT Pub. No. W9955215, Nov. 4, 1999, Adzick, George N., et al.

Data sheet for European Pub. No. 0795198, Sep. 17, 1997, Mark D. Winsor.

Data sheet for Pub No. 10100317, Nov. 8, 1981.

Data sheet for Pub. No. 10066395, Sep. 10, 1970.

Data sheet for Pub. No. 10065077, May 16, 1970.

* cited by examiner

Primary Examiner—Catherine Tuttle

(74) *Attorney, Agent, or Firm*—Arent Fox

(57) **CLAIM**

The ornamental design for an apparatus for the treatment of hair, as shown.

DESCRIPTION

FIG. 1 is a top, front and left perspective view of my new design;

FIG. 2 is bottom, rear and right side perspective view thereof;

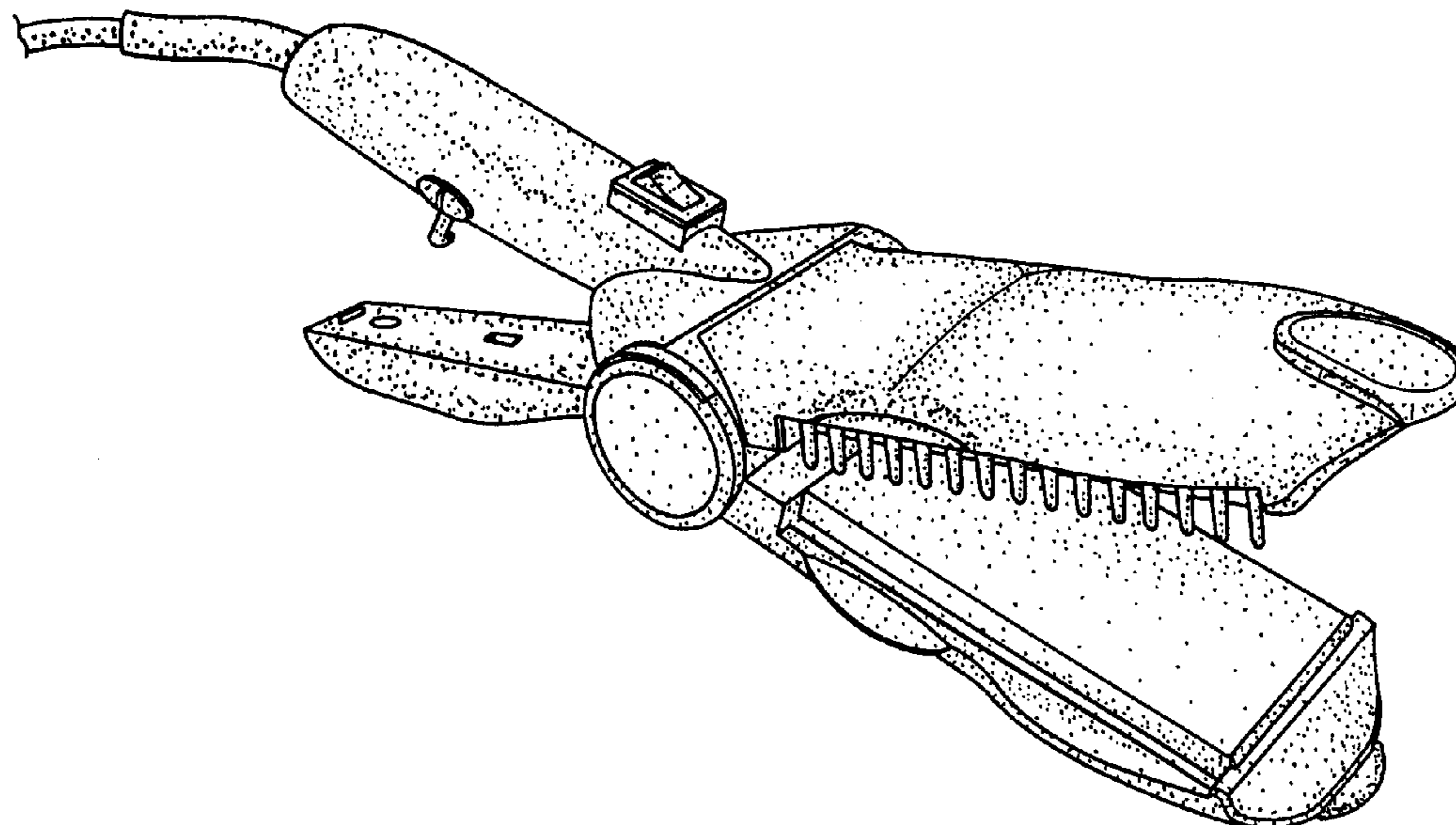
FIG. 3 is a top plan view of FIG. 1;

FIG. 4 is a right side elevational view of FIG. 2; and,

FIG. 5 is a bottom plan view of the design.

The cord is shown partially broken away in the various views to indicate indeterminate length.

1 Claim, 2 Drawing Sheets



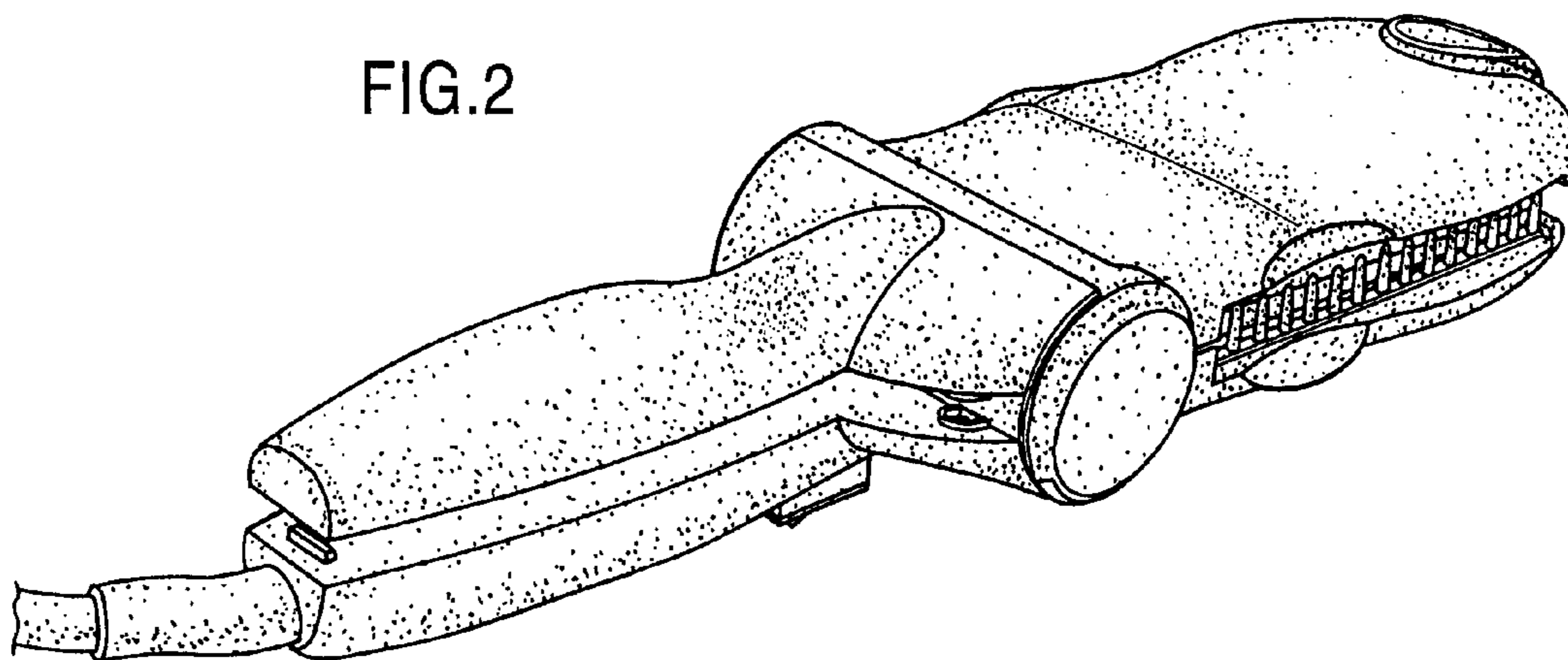
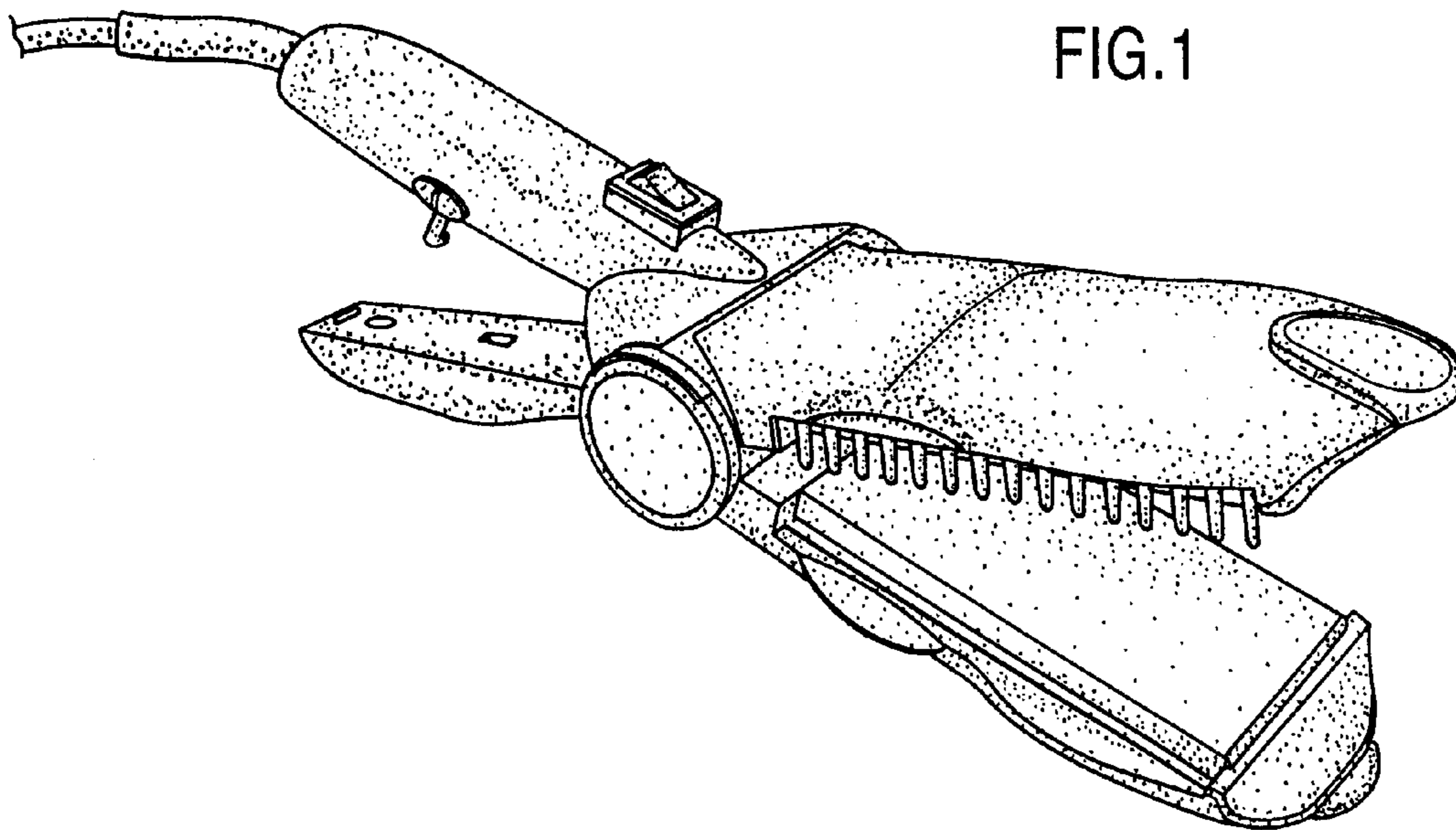


FIG.3

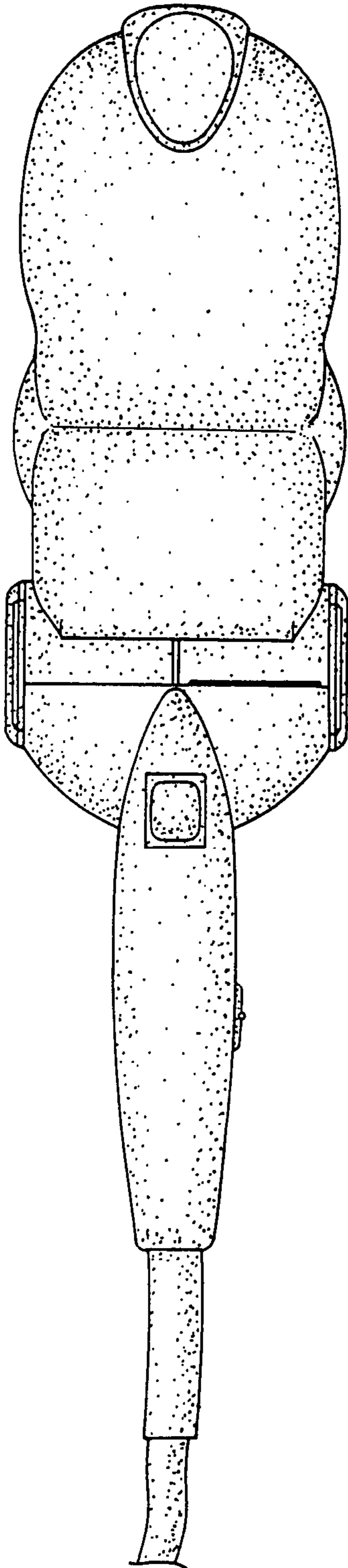


FIG.4

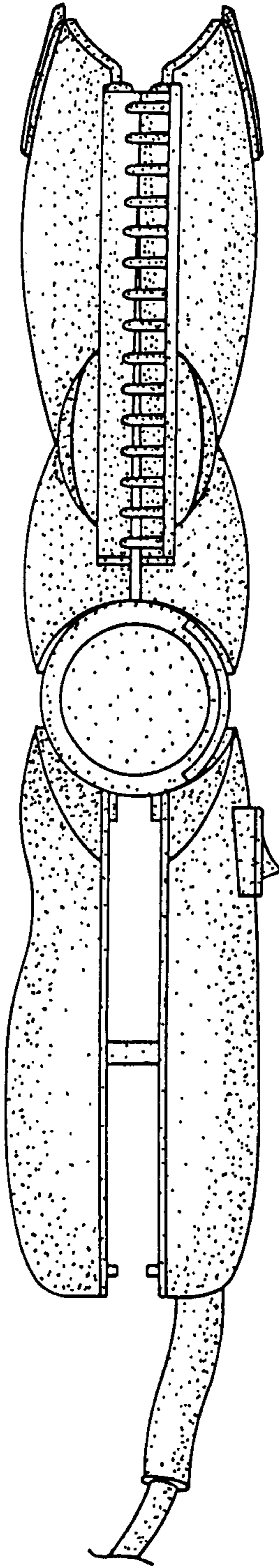


FIG.5

