

US00D504974S

(12) **United States Design Patent**
Layne

(10) **Patent No.:** **US D504,974 S**
(45) **Date of Patent:** **** May 10, 2005**

- (54) **SUSPENDED TAPERED ELLIPSE LIGHT FIXTURE**
- (75) Inventor: **Bruce N. Layne**, Wheaton, IL (US)
- (73) Assignee: **Juno Manufacturing, Inc.**, Des Plaines, IL (US)
- (**) Term: **14 Years**
- (21) Appl. No.: **29/188,790**
- (22) Filed: **Aug. 22, 2003**
- (51) **LOC (7) Cl.** **26-99**
- (52) **U.S. Cl.** **D26/118**
- (58) **Field of Search** D26/118, 128;
362/296, 347, 349, 350, 360

(56) **References Cited**

U.S. PATENT DOCUMENTS

4,403,276	A *	9/1983	Blaisdell	362/350
D396,319	S *	7/1998	Sutton	D26/128
5,800,050	A *	9/1998	Leadford	362/296
6,554,456	B1 *	4/2003	Buelow et al.	362/350

* cited by examiner

Primary Examiner—Jennifer Rivard
(74) *Attorney, Agent, or Firm*—Sonnenschein Nath & Rosenthal LLP

(57) **CLAIM**

The ornamental design for a suspended tapered ellipse light fixture, as shown and described.

DESCRIPTION

FIG. 1 is a front view of a suspended tapered ellipse light fixture in a selected tilted position showing the new design; FIG. 2 is a side view of the suspended tapered ellipse light fixture shown in FIG. 1, the opposite side being a mirror image of this side view; FIG. 3 is a top view of the suspended tapered ellipse light fixture shown in FIG. 1; FIG. 4 is a back view of the suspended tapered ellipse light fixture shown in FIG. 1; and, FIG. 5 is a bottom view of the suspended tapered ellipse light fixture shown in FIG. 1. Features shown in dashed lines immediately adjacent the shaded areas or adjacent the solid lines represent the bounds of the claim and all other dashed lines are for illustrative purposes only. None of the dashed lines form a part of the claimed design.

1 Claim, 2 Drawing Sheets

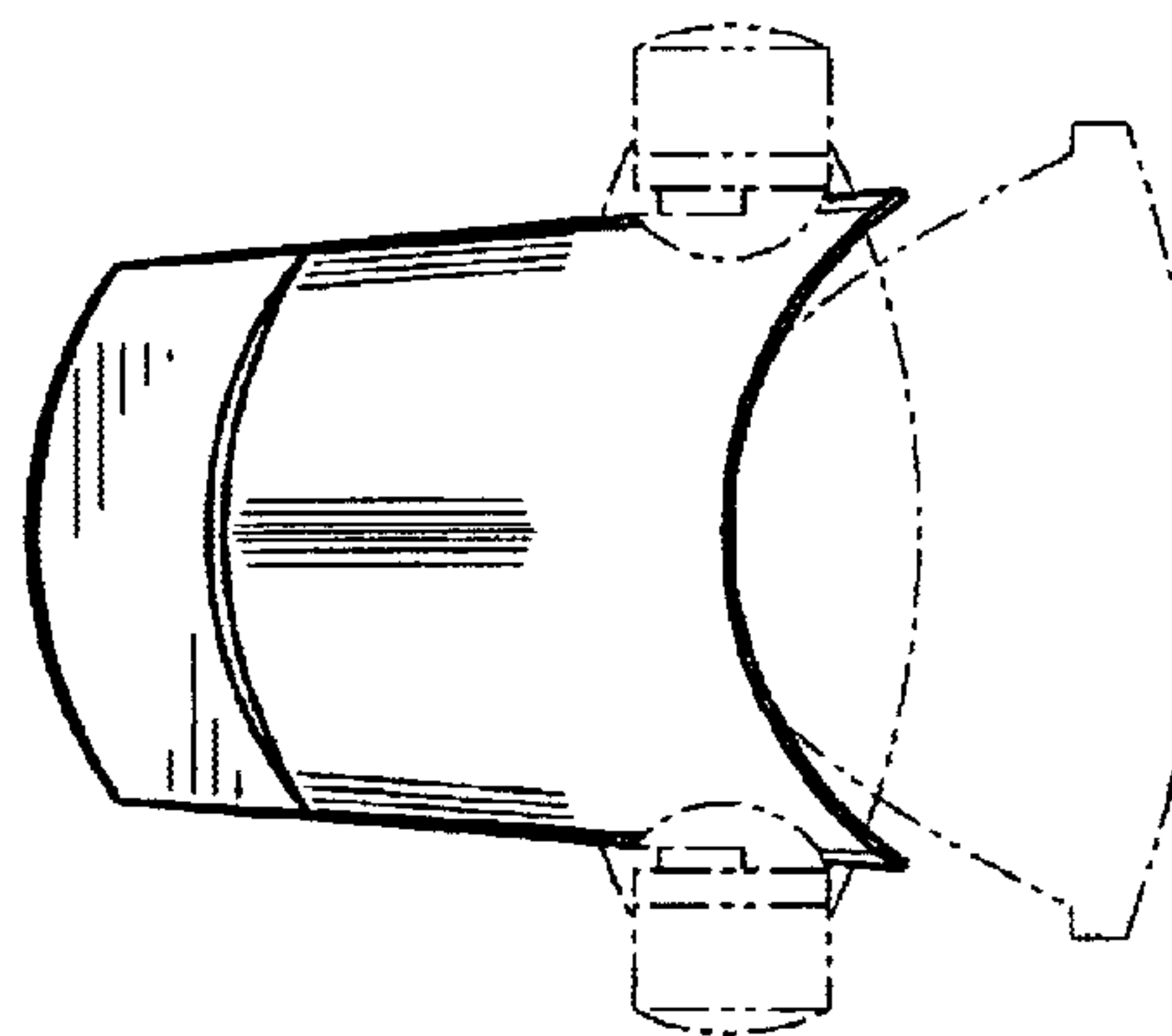
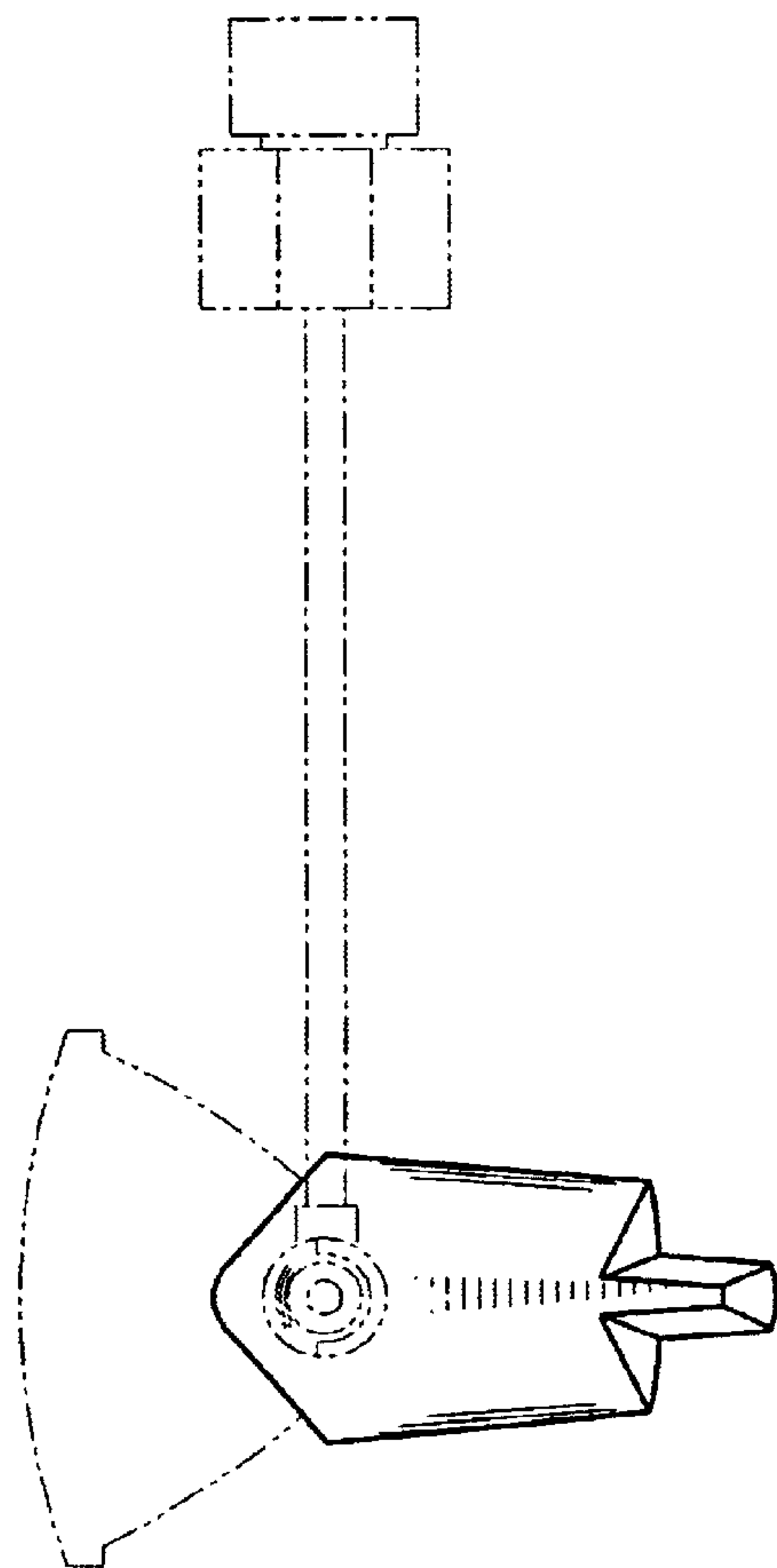


FIG. 3

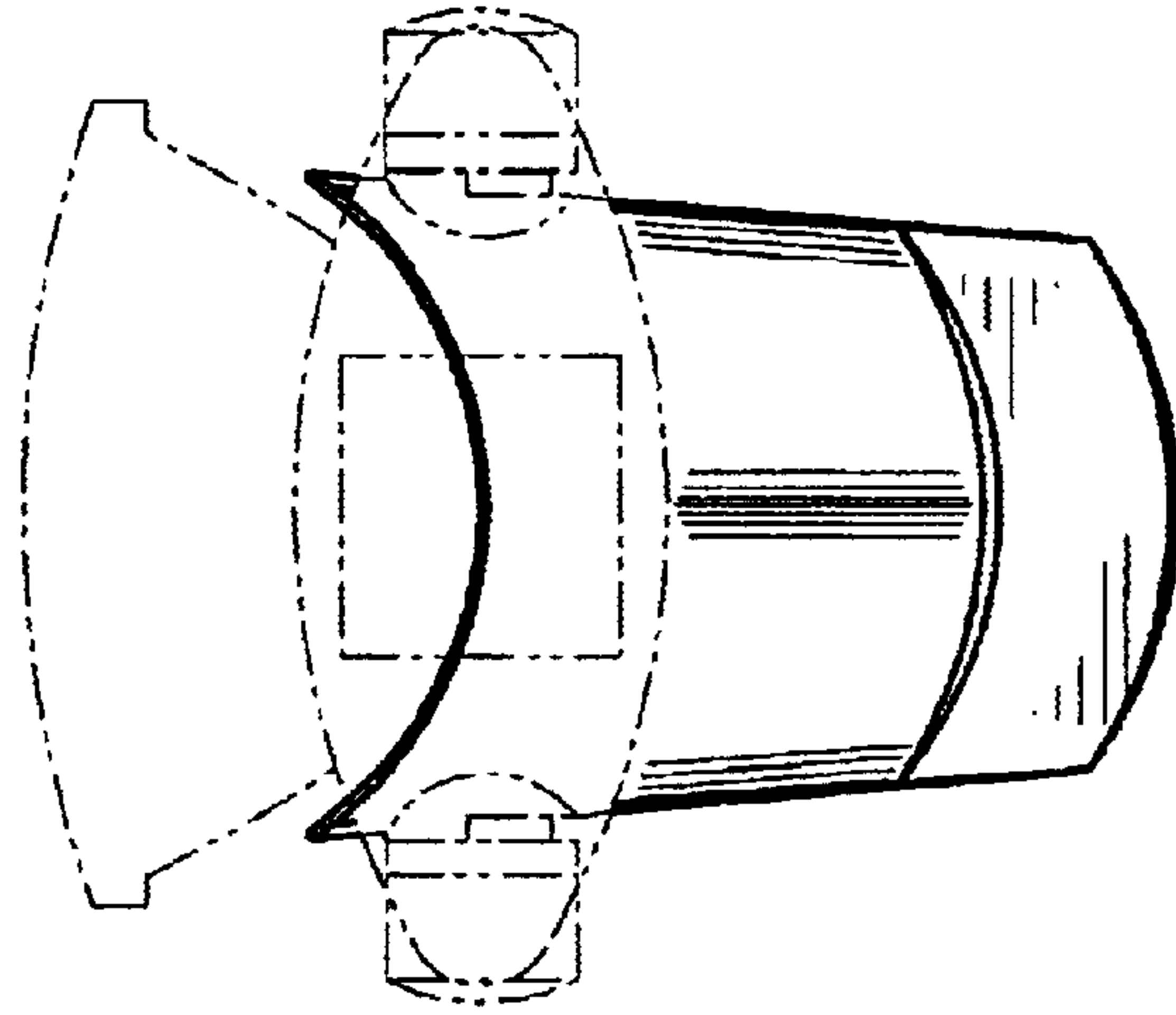


FIG. 1

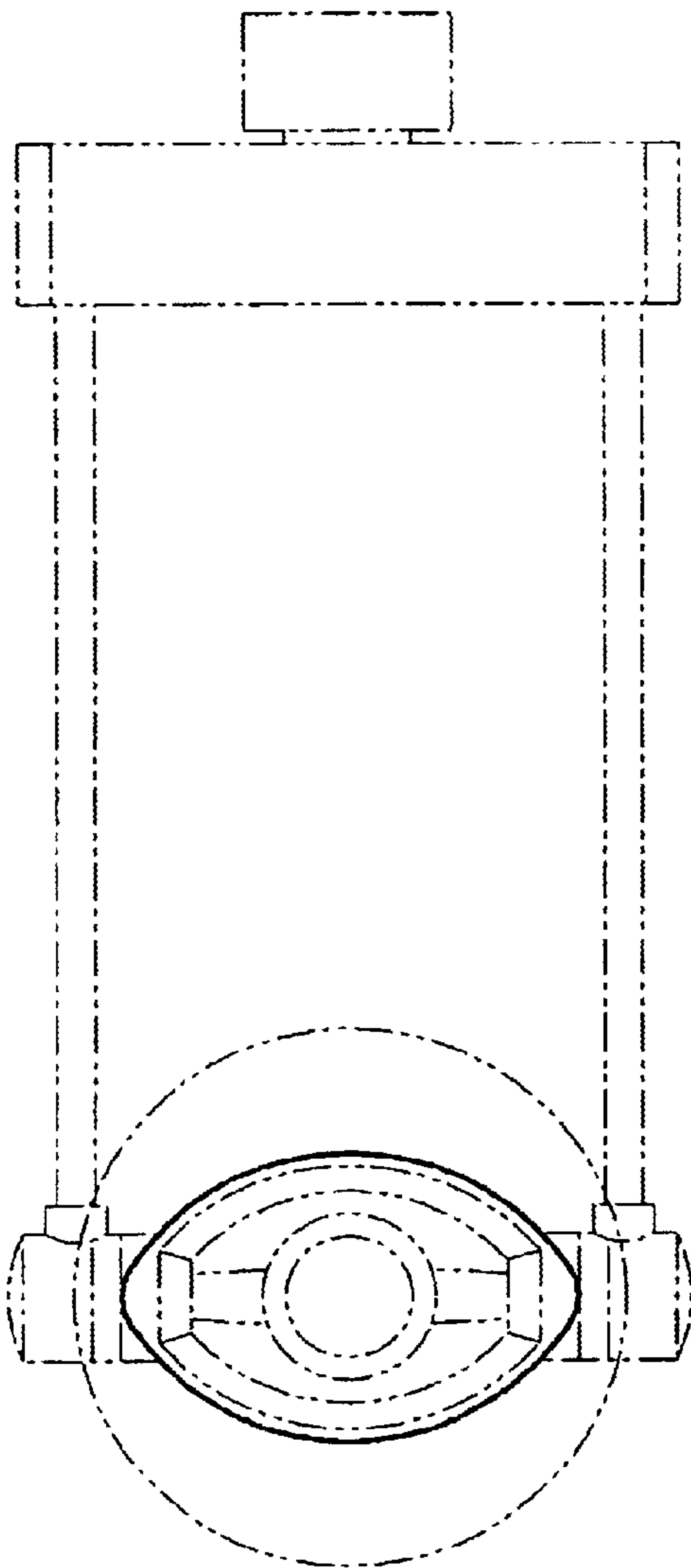


FIG. 2

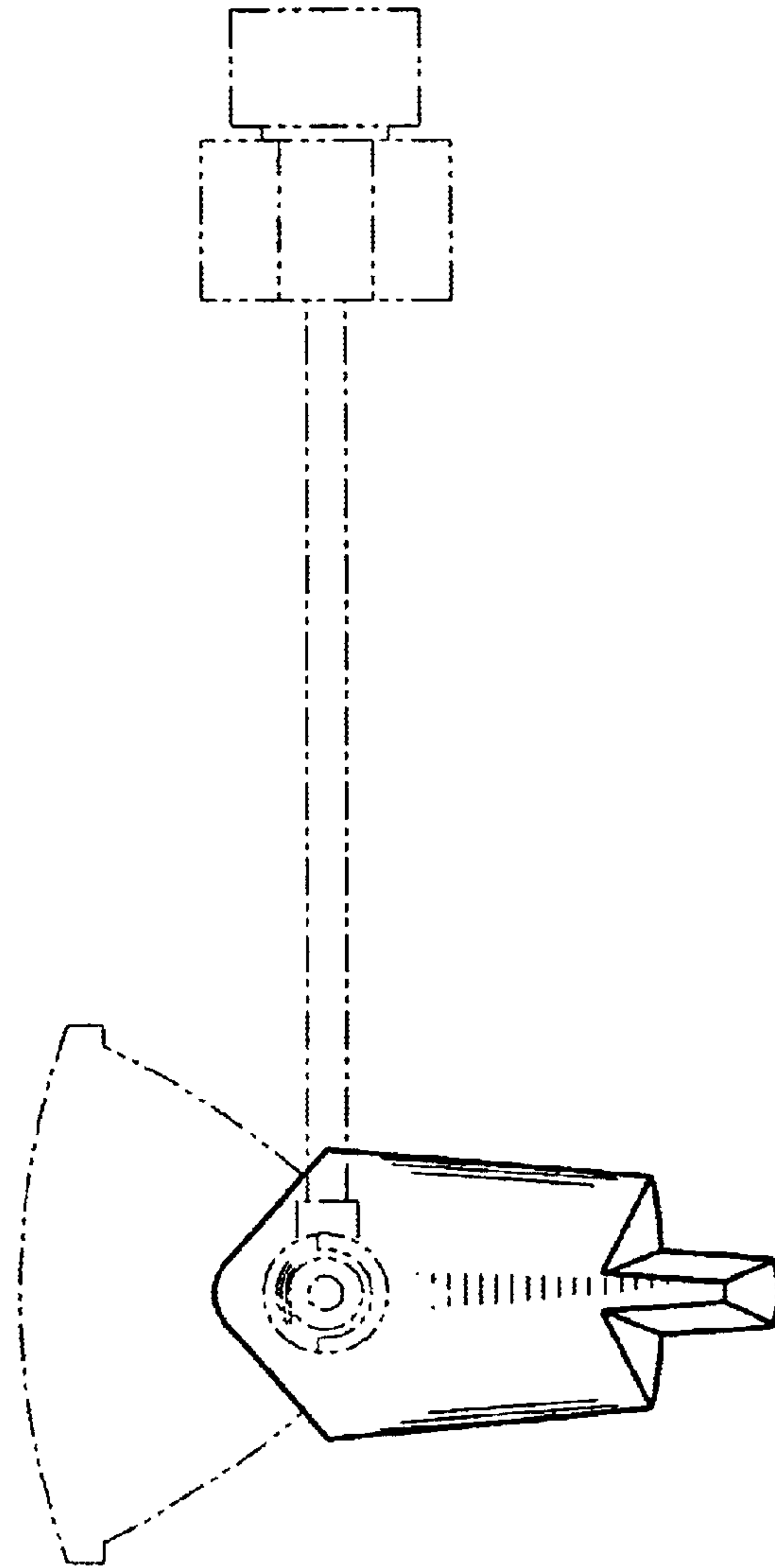


FIG. 4

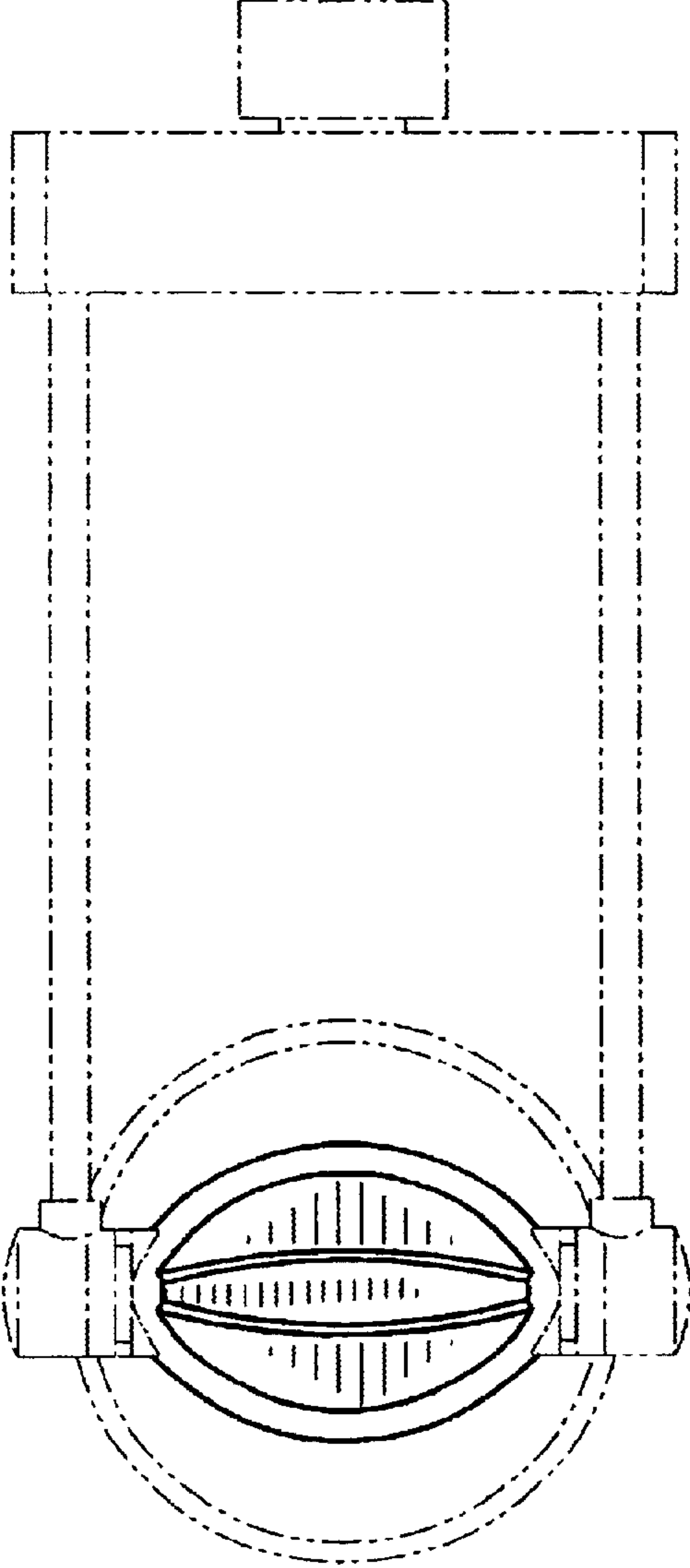


FIG. 5

