



US00D504969S

(12) **United States Design Patent**
Hussaini et al.

(10) **Patent No.:** **US D504,969 S**
(45) **Date of Patent:** **** May 10, 2005**

(54) **HANDHELD SPOTLIGHT**

D466,637 S * 12/2002 Gisser D26/45

(75) Inventors: **Saied Hussaini**, Miami, FL (US); **Marc Iacovelli**, Miami, FL (US)

* cited by examiner

Primary Examiner—Marcus A. Jackson

(73) Assignee: **Rally Manufacturing, Inc.**, Miami, FL (US)

(74) *Attorney, Agent, or Firm*—Liniak, Berenato & White

(**) Term: **14 Years**

(57) **CLAIM**

The ornamental design for a handheld spotlight, as shown and described.

(21) Appl. No.: **29/211,443**

DESCRIPTION

(22) Filed: **Aug. 17, 2004**

FIG. 1 is a front, top and right perspective view of the handheld spotlight according to the present invention.

(51) **LOC (7) Cl.** **26-02**

FIG. 2 is a right side view of the handheld spotlight of FIG. 1.

(52) **U.S. Cl.** **D26/45**

FIG. 3 is a left side view of the handheld spotlight of FIG. 1.

(58) **Field of Search** D26/37-50; 362/157, 362/158, 171-174, 183-208

FIG. 4 is a front view of the handheld spotlight of FIG. 1.

(56) **References Cited**

FIG. 5 is a rear view of the handheld spotlight of FIG. 1.

U.S. PATENT DOCUMENTS

D436,200 S * 1/2001 Cheong et al. D26/45
6,364,504 B1 * 4/2002 Hon 362/208

FIG. 6 is a top view of the handheld spotlight of FIG. 1; and,

FIG. 7 is a bottom view of the handheld spotlight of FIG. 1.

1 Claim, 6 Drawing Sheets

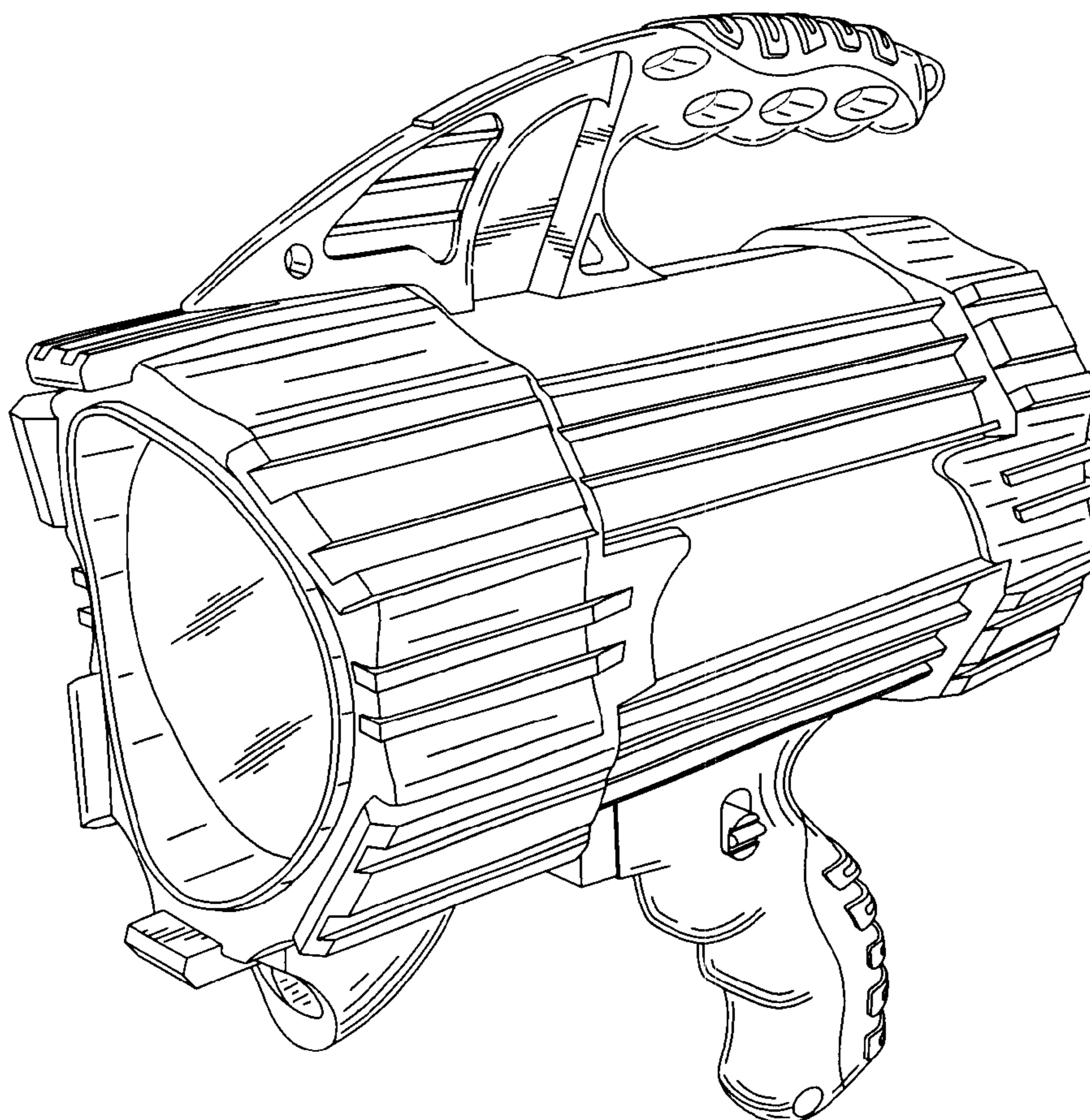


Fig. 1

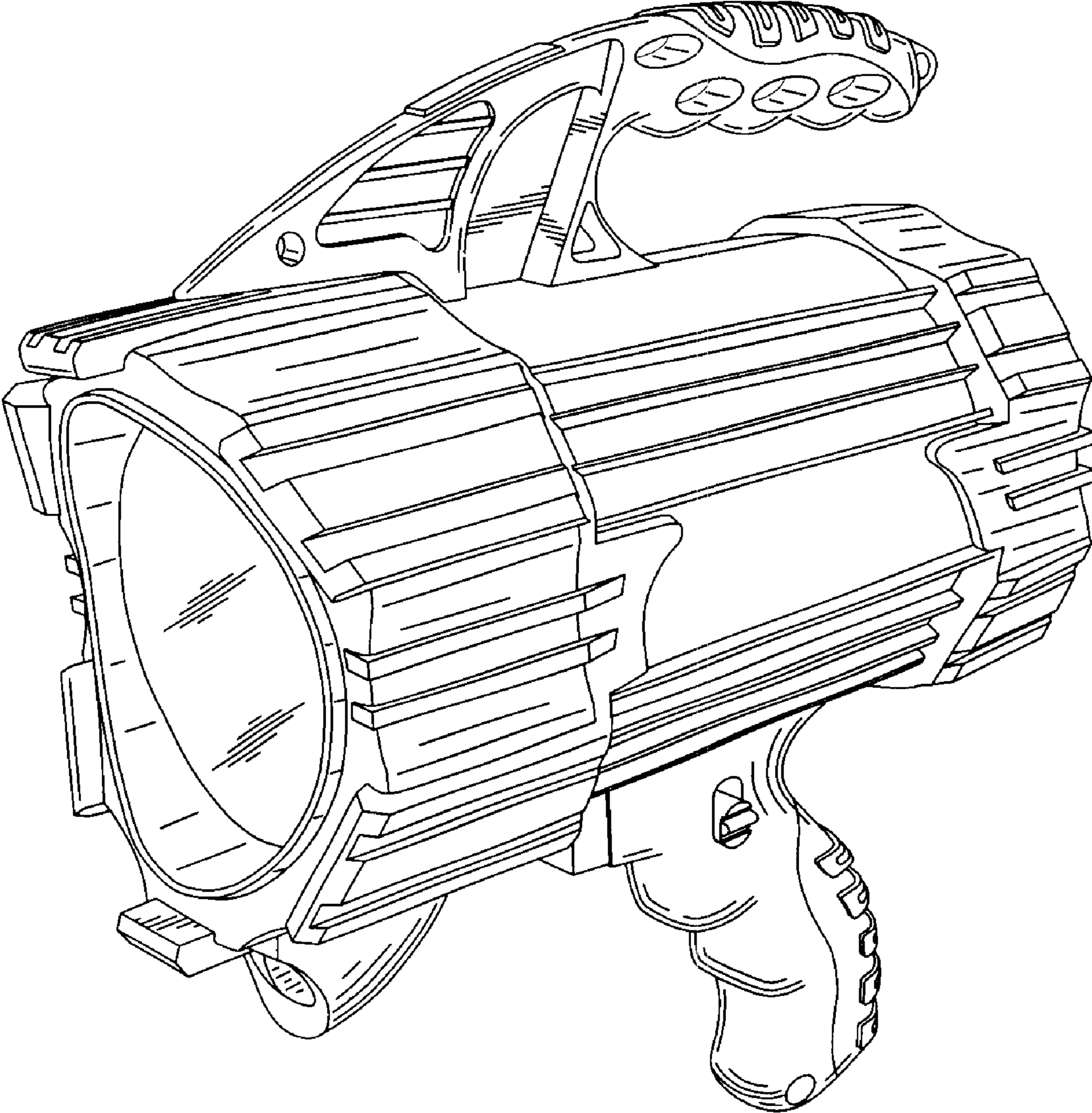


Fig. 2

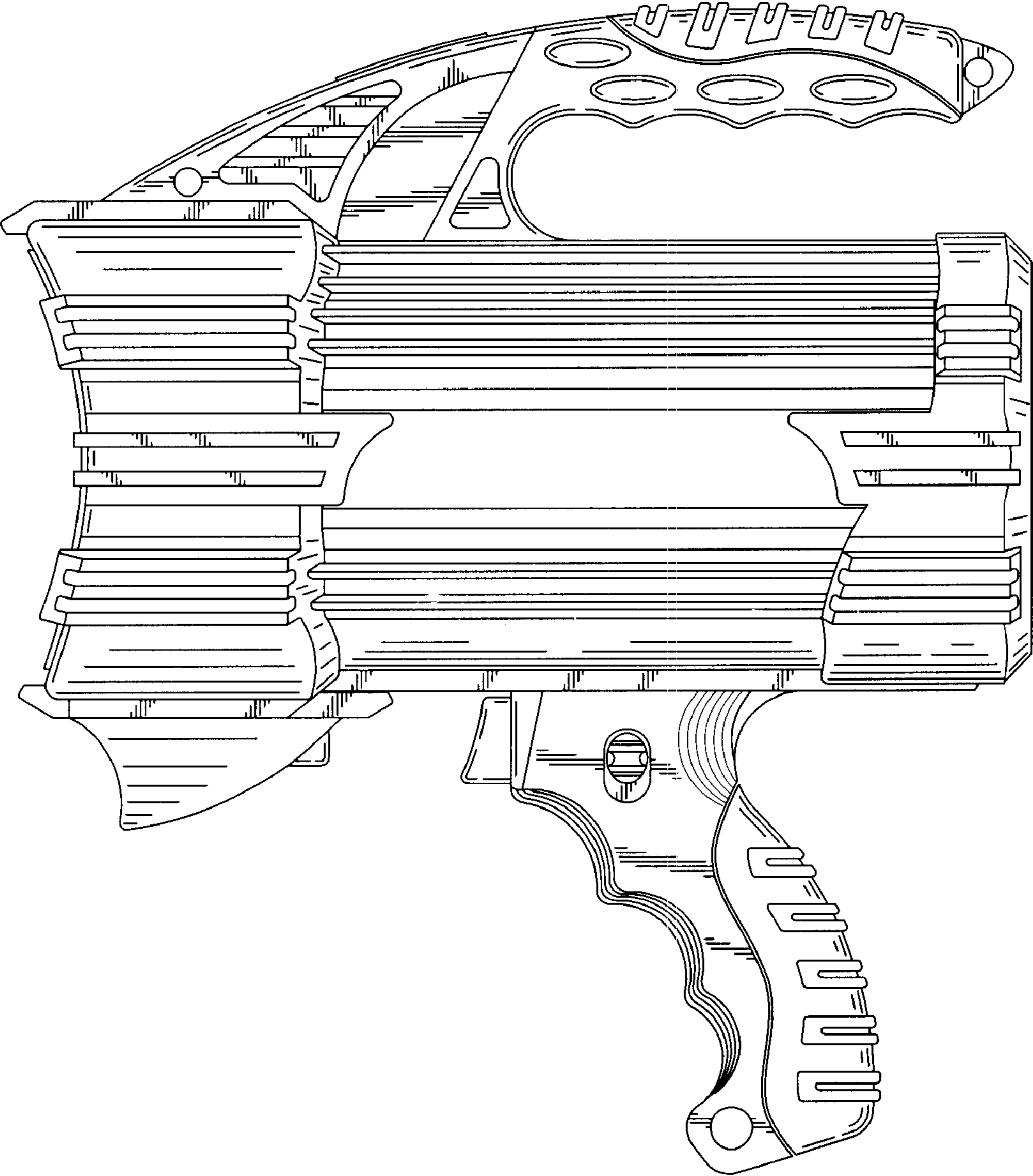


Fig. 3

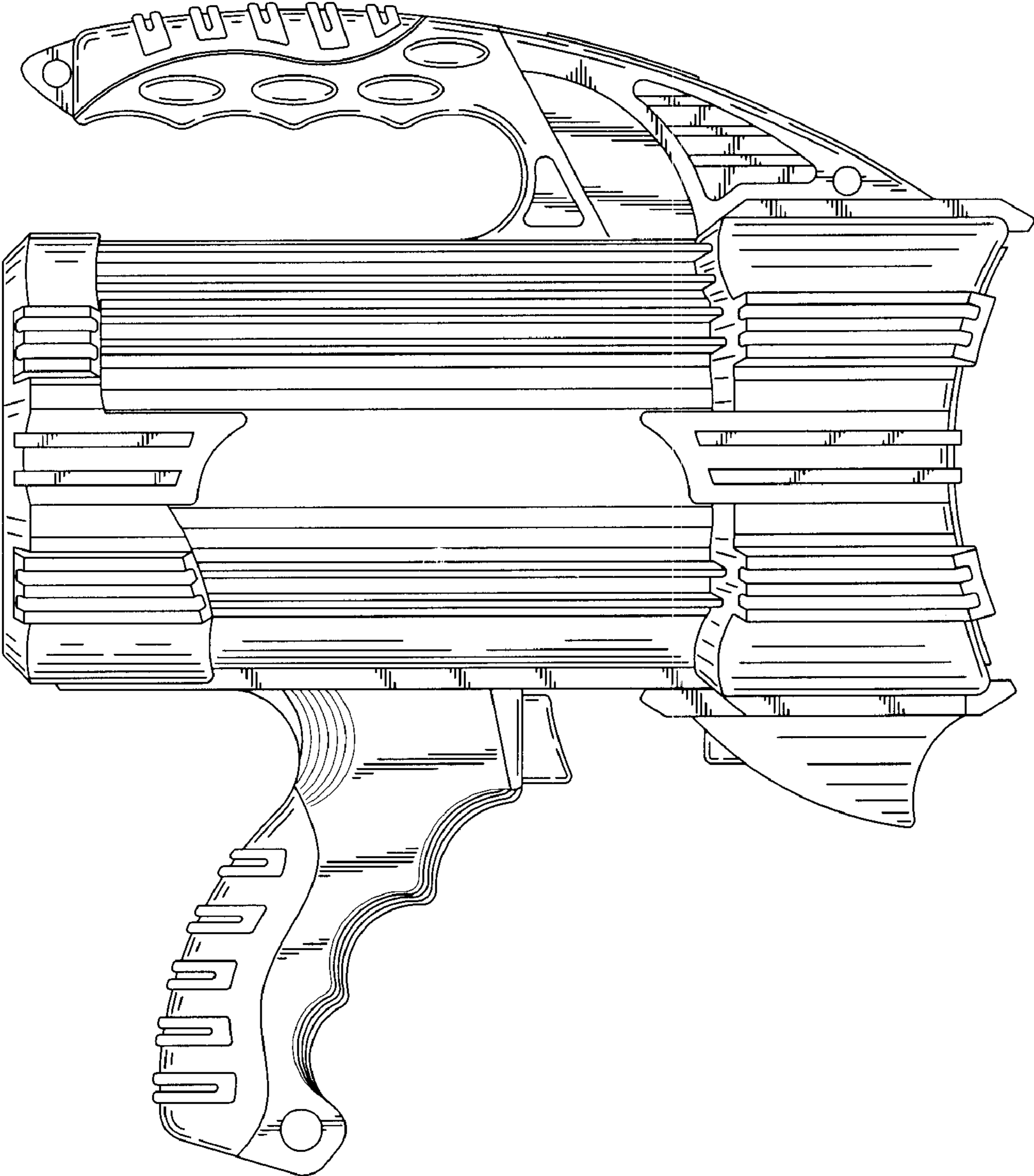


Fig. 4

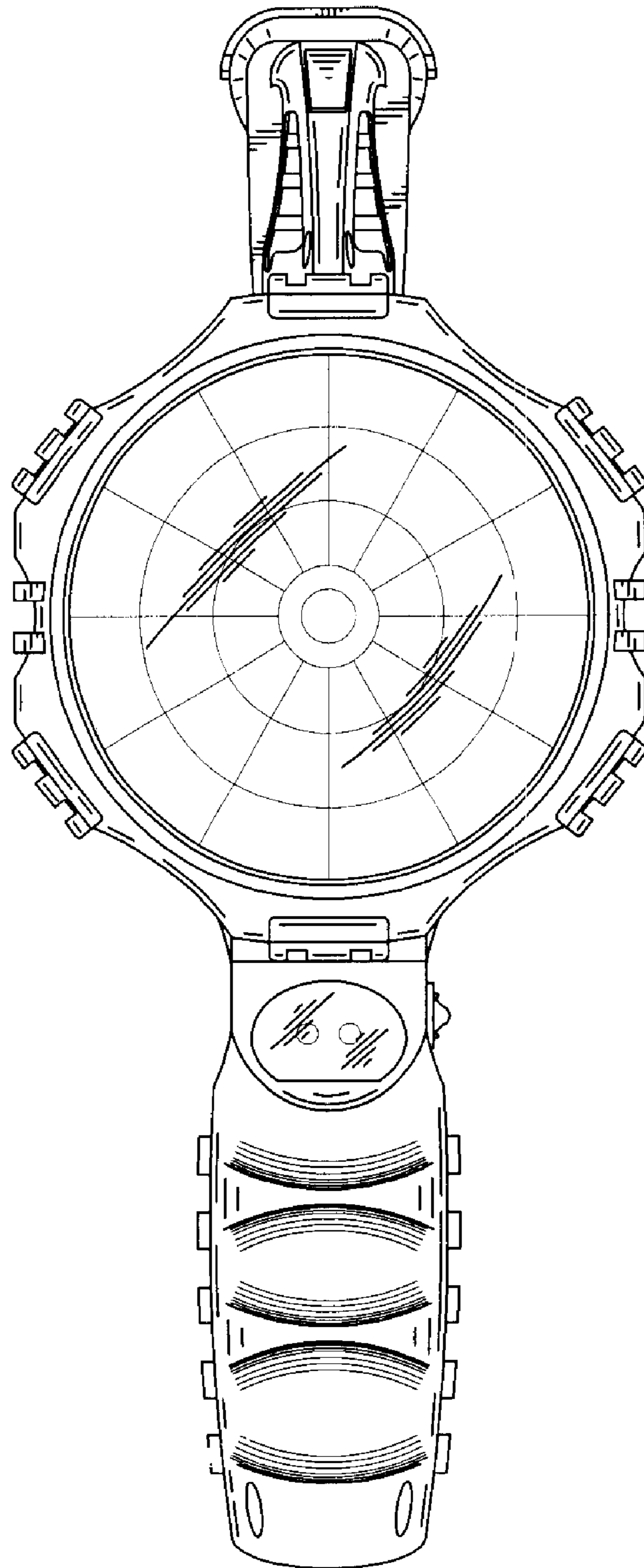


Fig. 5

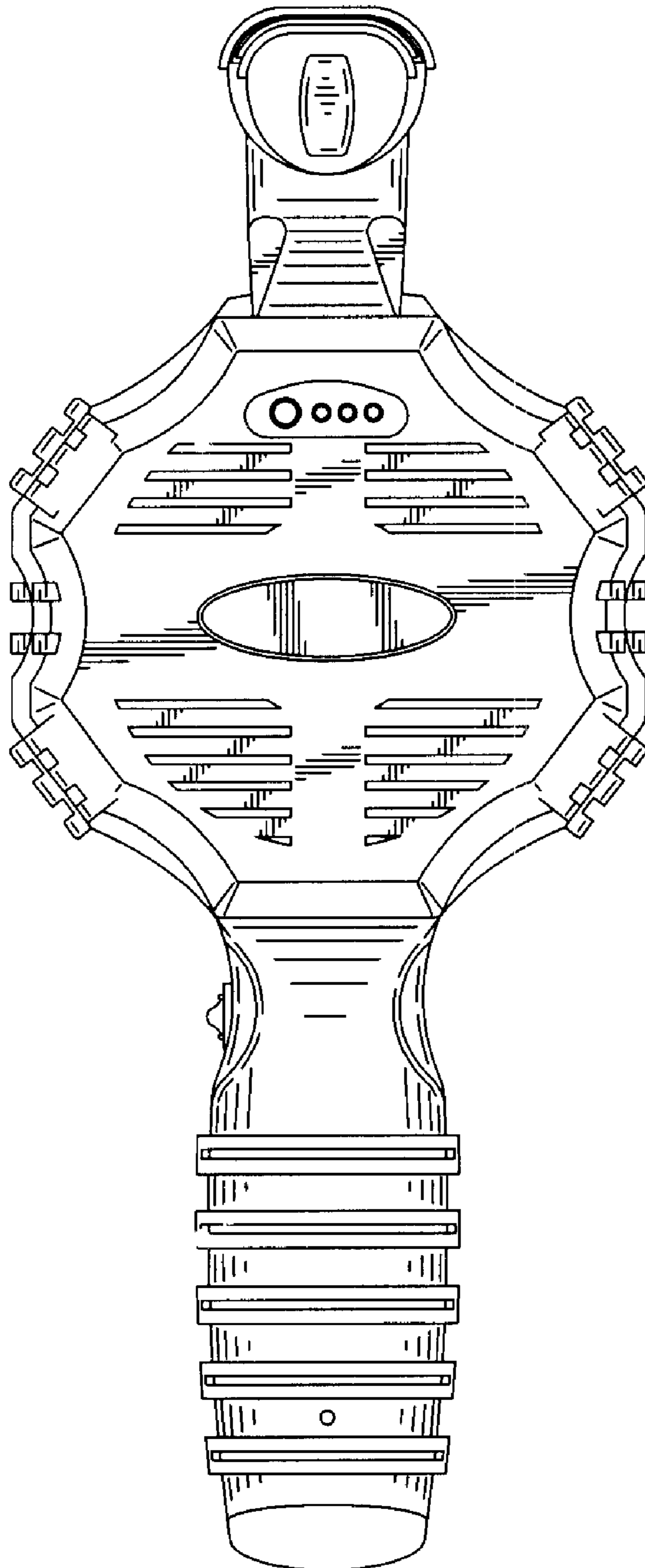


Fig. 6

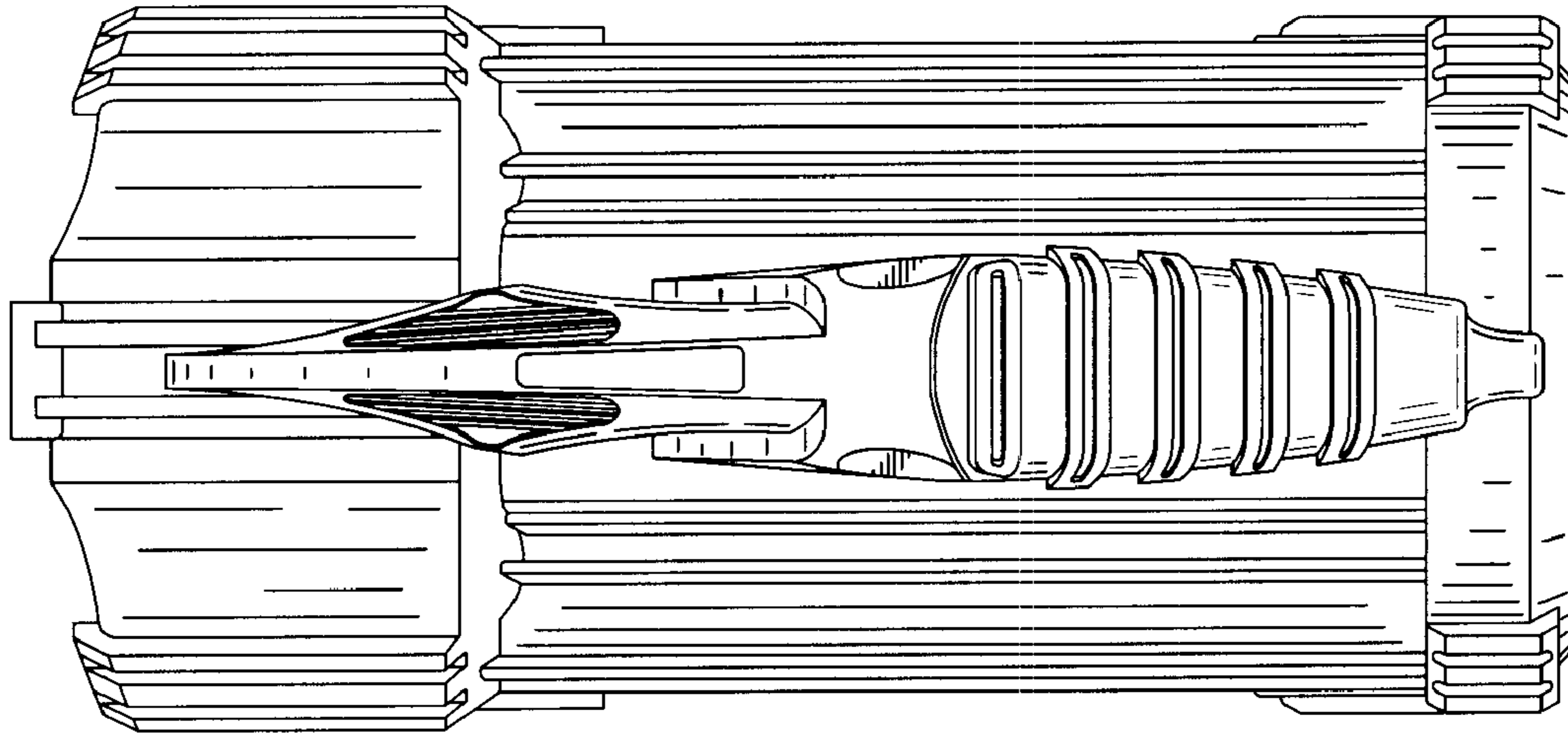


Fig. 7

