

US00D504968S

(12) **United States Design Patent** (10) **Patent No.:** **US D504,968 S**  
**Bayat et al.** (45) **Date of Patent:** **\*\* May 10, 2005**

(54) **RECHARGEABLE FLUORESCENT TASK LAMP**

*Primary Examiner*—Marcus A. Jackson  
(74) *Attorney, Agent, or Firm*—Stephen S. Mosher

(75) Inventors: **Bijan Bayat**, Dallas, TX (US); **James Newton**, Dallas, TX (US)

(57) **CLAIM**

The ornamental design for a rechargeable fluorescent task lamp, as shown and described.

(73) Assignee: **Bayco Products, Ltd.**, Plano, TX (US)

(\*\*) Term: **14 Years**

**DESCRIPTION**

(21) Appl. No.: **29/211,600**

FIG. 1 is a first perspective view of a rechargeable fluorescent task lamp;

(22) Filed: **Aug. 18, 2004**

FIG. 2 is a front, elevational view of FIG. 1;

(51) **LOC (7) Cl.** ..... **26-02**

FIG. 3 is a first side view of the rechargeable fluorescent task lamp of FIG. 1, which is a mirror image of the second side, and wherein the structures shown in broken lines form no part of the design;

(52) **U.S. Cl.** ..... **D26/42**

(58) **Field of Search** ..... D26/37-50; 362/157, 362/158, 171-174, 183-208

FIG. 4 is a rear view of the rechargeable fluorescent task lamp of FIG. 1, wherein the structures shown in broken lines form no part of the design;

(56) **References Cited**

**U.S. PATENT DOCUMENTS**

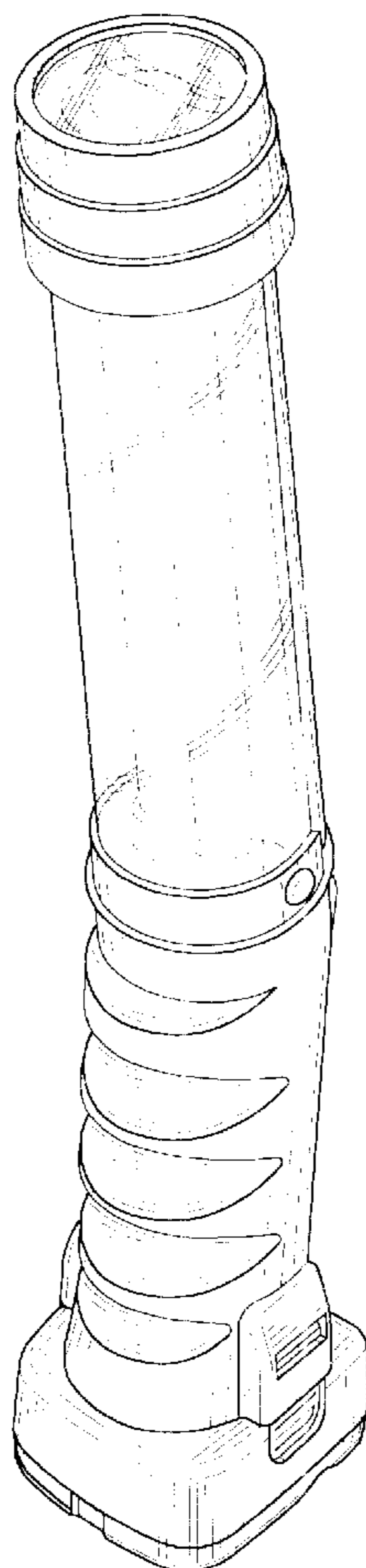
D335,756 S	*	5/1993	Gaynor	.....	D26/42
D393,915 S	*	4/1998	Yuen	.....	D26/42
D409,776 S	*	5/1999	Ghode et al.	.....	D26/42
D414,576 S	*	9/1999	Yuen	.....	D26/42
D441,888 S	*	5/2001	Haneda et al.	.....	D26/42

FIG. 5 is a top view of the rechargeable fluorescent task lamp of FIG. 1; and,

FIG. 6 is a bottom view the rechargeable fluorescent task lamp of FIG. 1.

\* cited by examiner

**1 Claim, 3 Drawing Sheets**



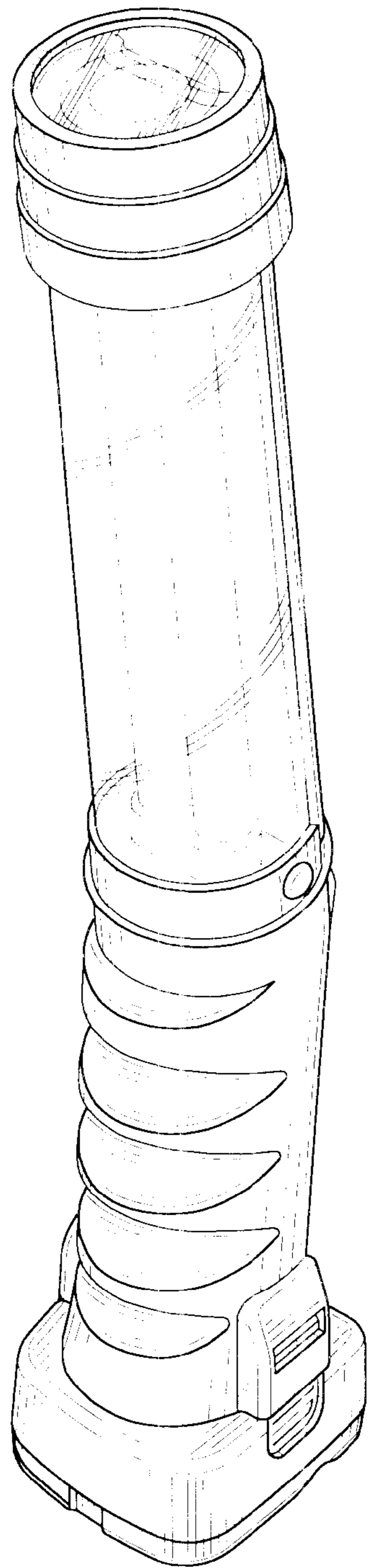


FIG. 1

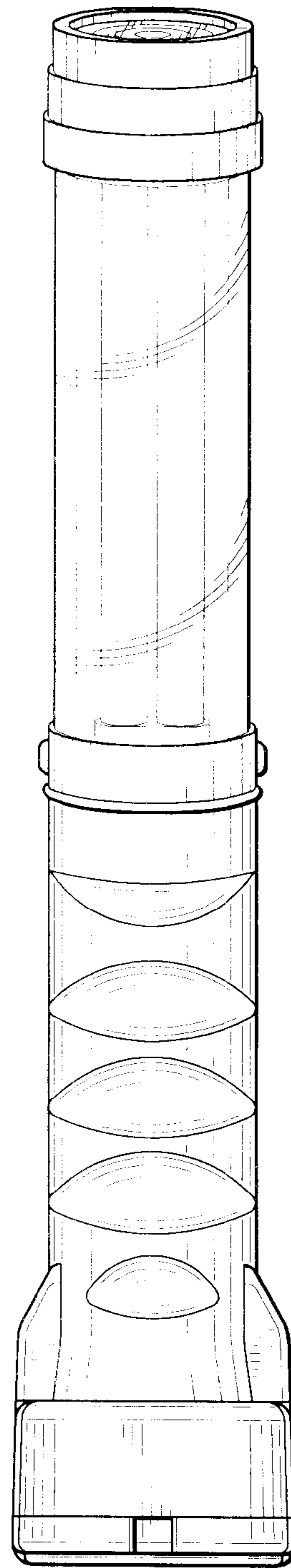


FIG. 2

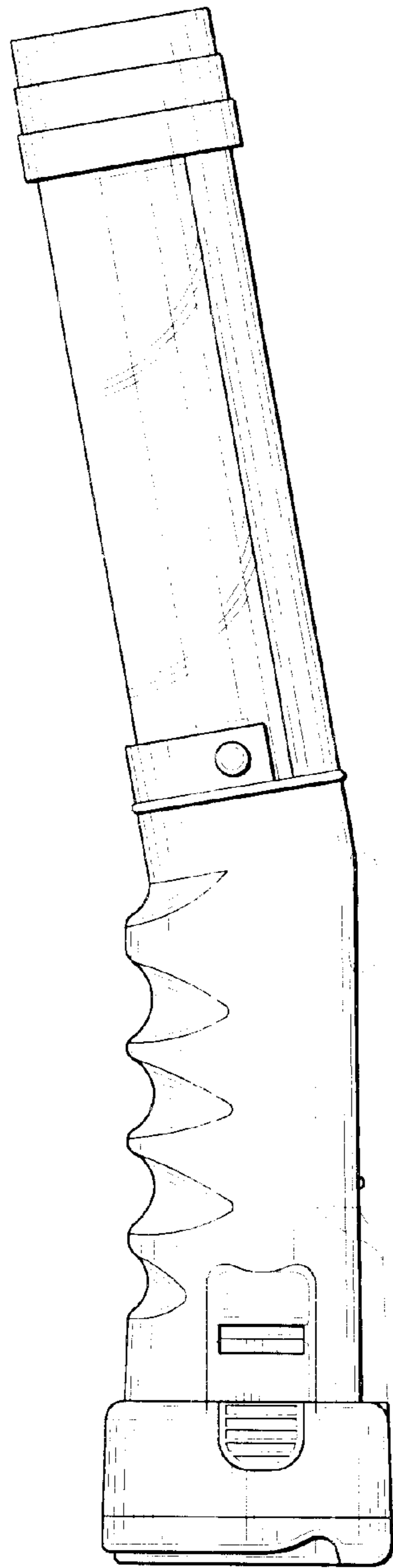


FIG. 3

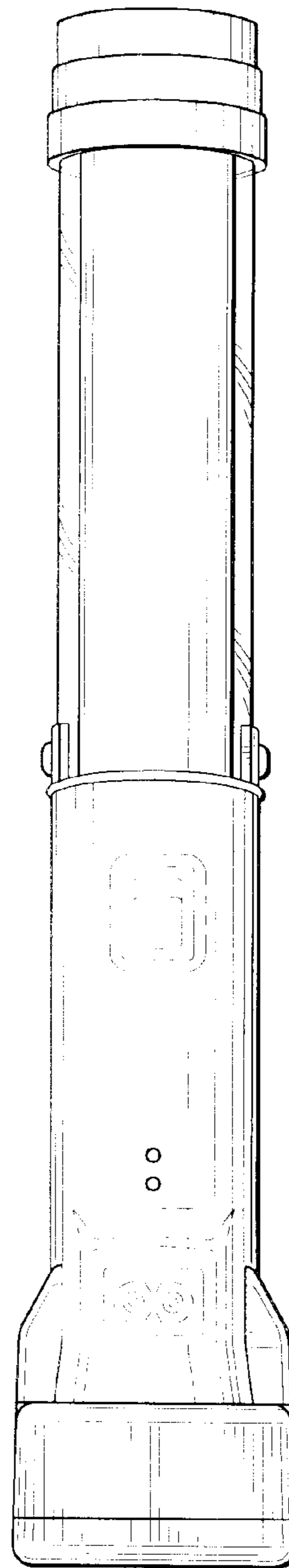
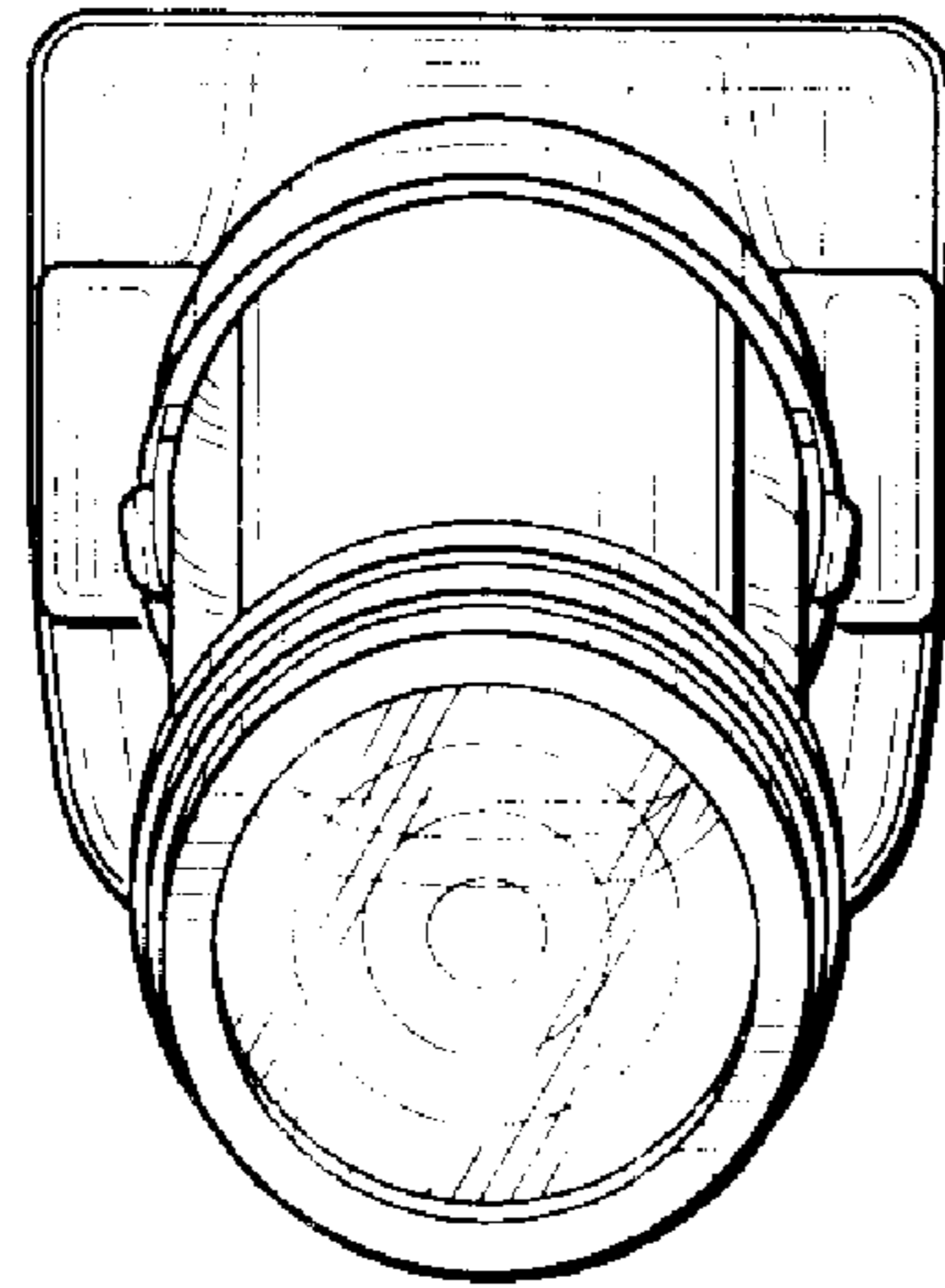
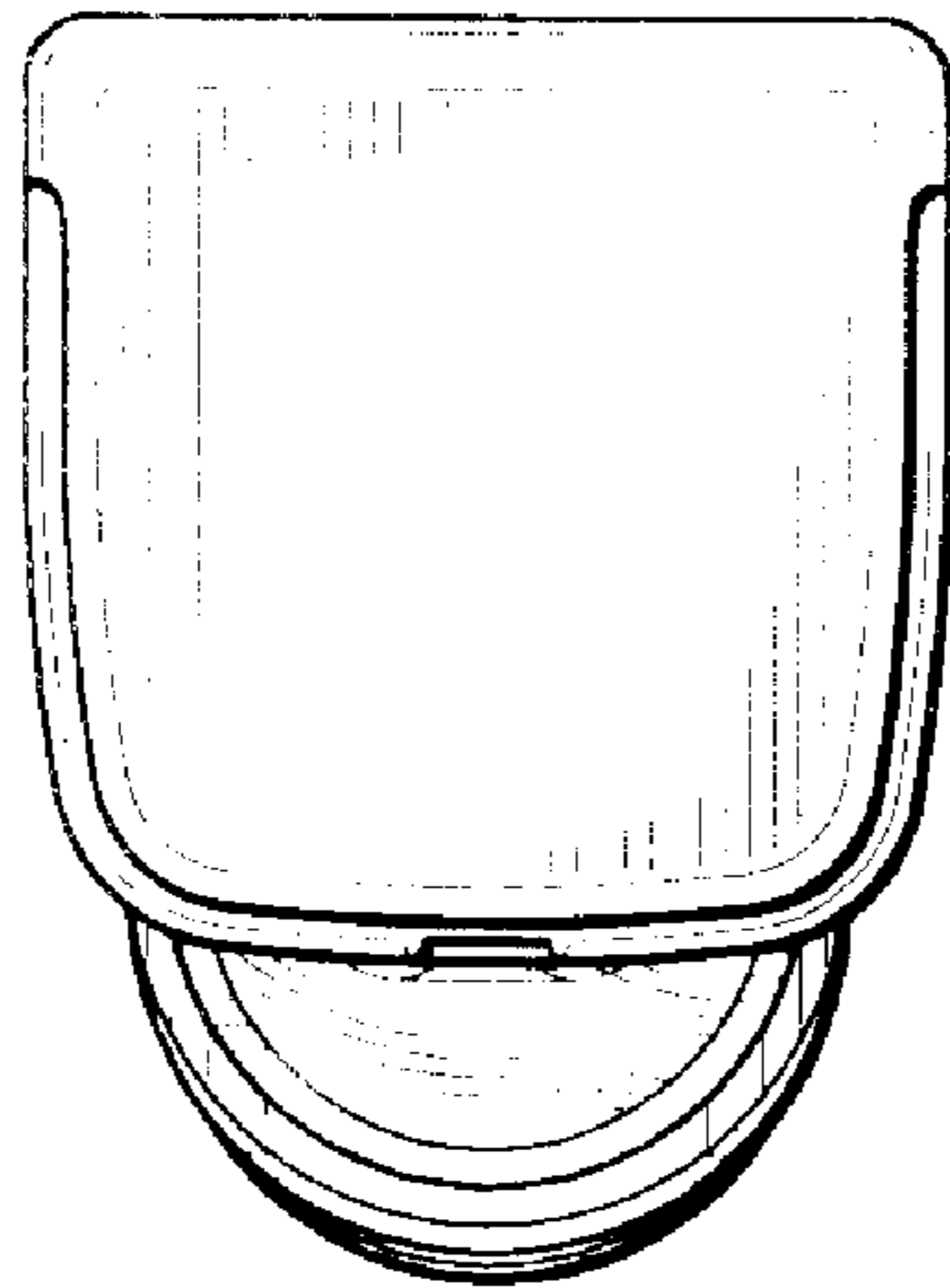


FIG. 4



*FIG. 5*



*FIG. 6*