



US00D504967S

(12) **United States Design Patent**
Kung

(10) **Patent No.: US D504,967 S**

(45) **Date of Patent: ** May 10, 2005**

(54) **FLASHLIGHT**

D445,929 S * 7/2001 Shing D26/39
D446,592 S * 8/2001 Leen D26/39

(75) **Inventor: Kenneth Kung, Tai Tam (HK)**

* cited by examiner

(73) **Assignee: Tung Fat Industries, Ltd., Hong Kong (HK)**

Primary Examiner—Marcus A. Jackson
(74) *Attorney, Agent, or Firm*—Ladas & Parry LLP

(**) **Term: 14 Years**

(57) **CLAIM**

(21) **Appl. No.: 29/199,479**

The ornamental design for a flashlight, as shown.

(22) **Filed: Feb. 13, 2004**

DESCRIPTION

(51) **LOC (7) Cl. 26-02**

(52) **U.S. Cl. D26/39**

(58) **Field of Search D26/37-50; 362/157, 362/158, 171-174, 183-208**

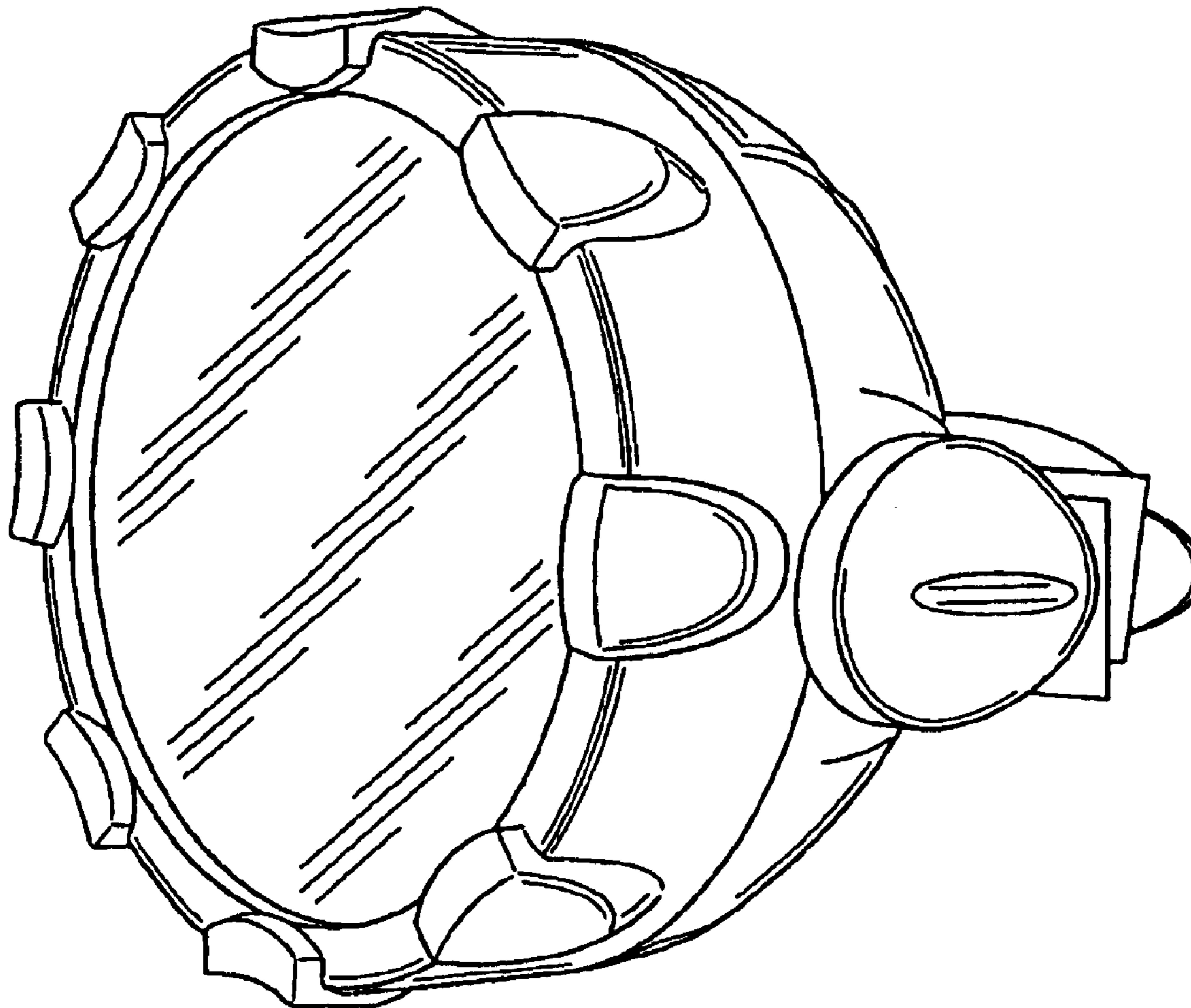
FIG. 1 is a perspective view of my design for a flashlight;
FIG. 2 is a front view thereof;
FIG. 3 is a rear view thereof;
FIG. 4 is a left side view thereof;
FIG. 5 is a right side view thereof;
FIG. 6 is a top view thereof; and,
FIG. 7 is a bottom view thereof.

(56) **References Cited**

U.S. PATENT DOCUMENTS

D389,932 S * 1/1998 Mariani D26/39

1 Claim, 4 Drawing Sheets



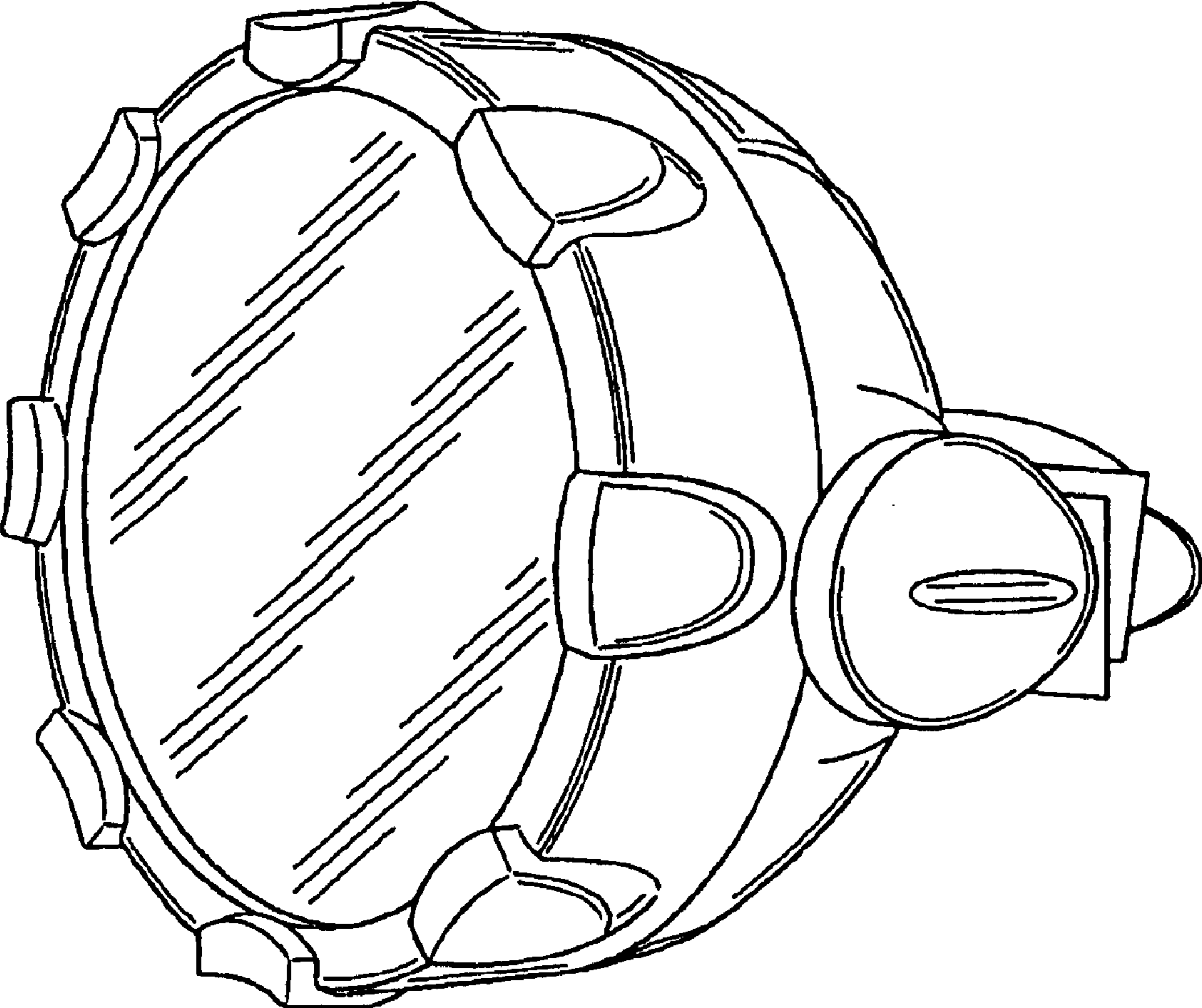


FIG. 1

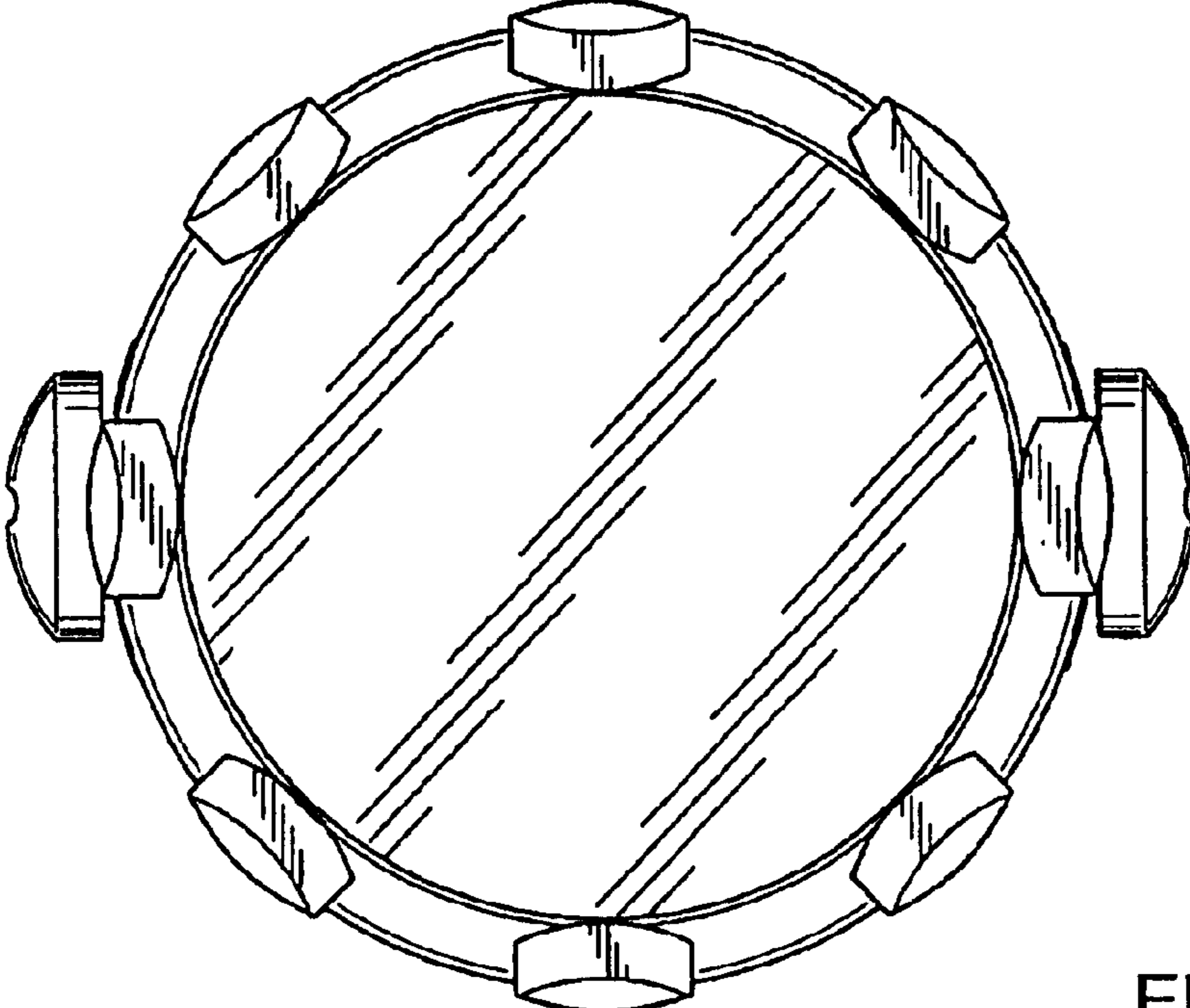


FIG. 2

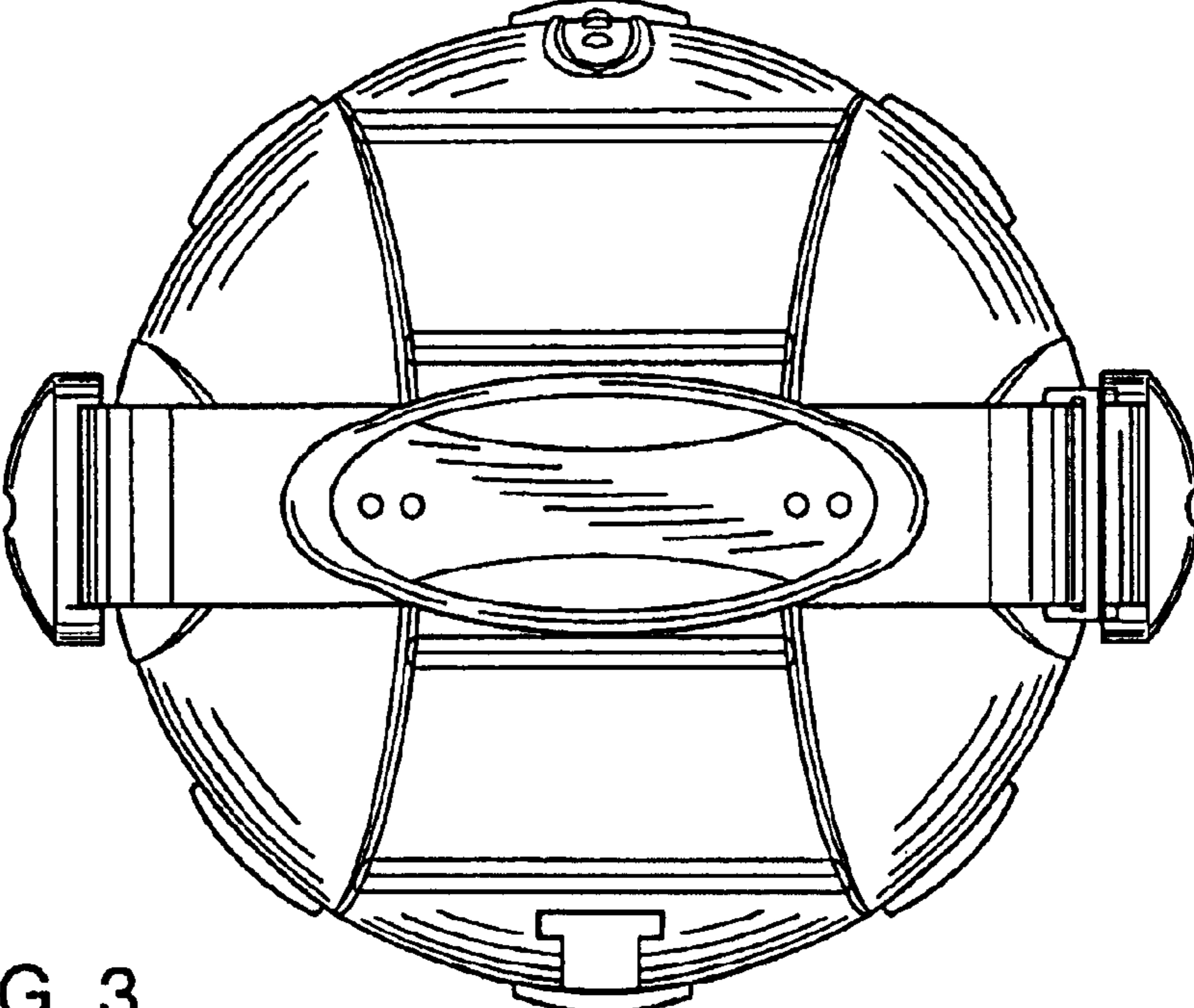


FIG. 3

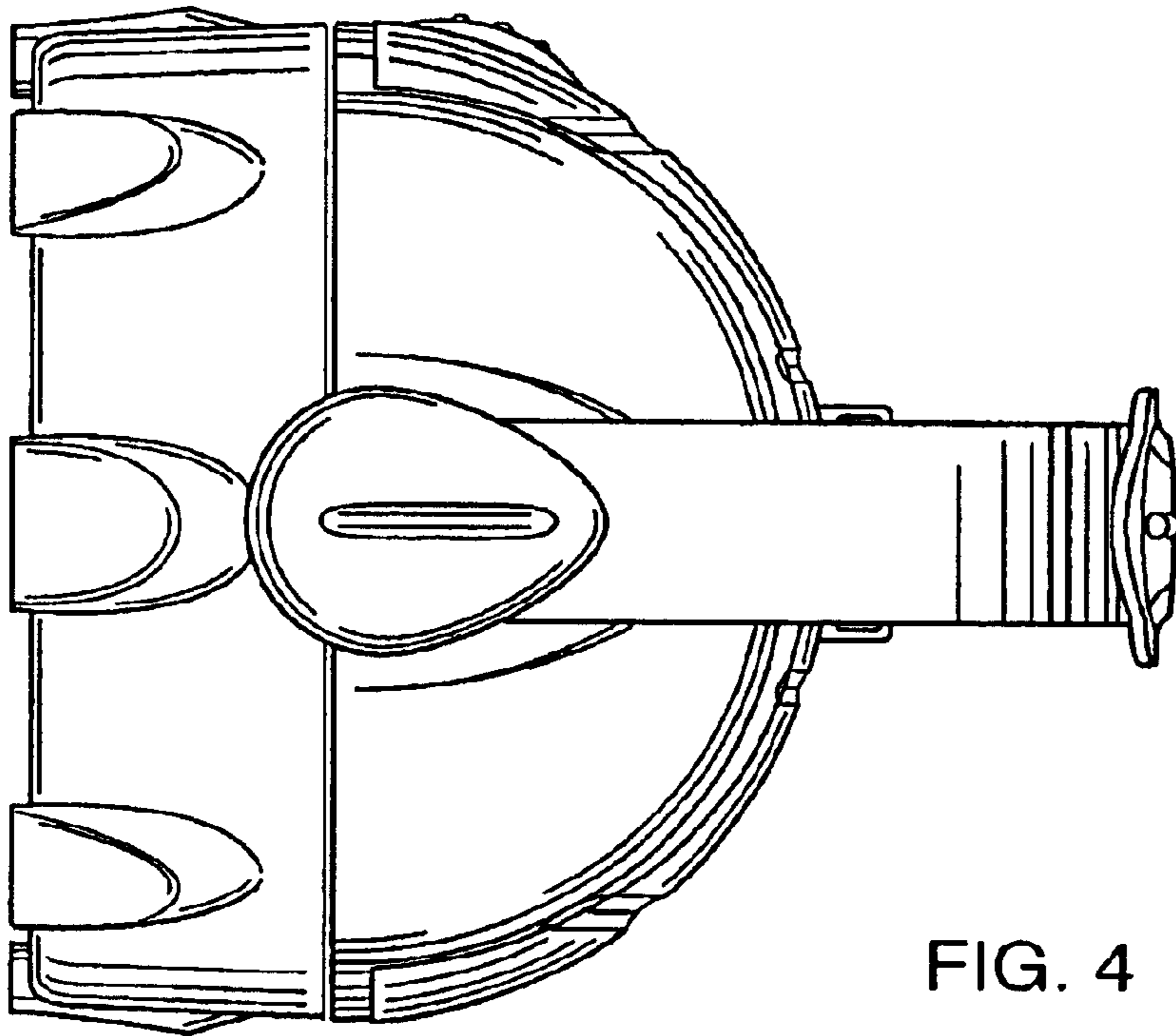


FIG. 4

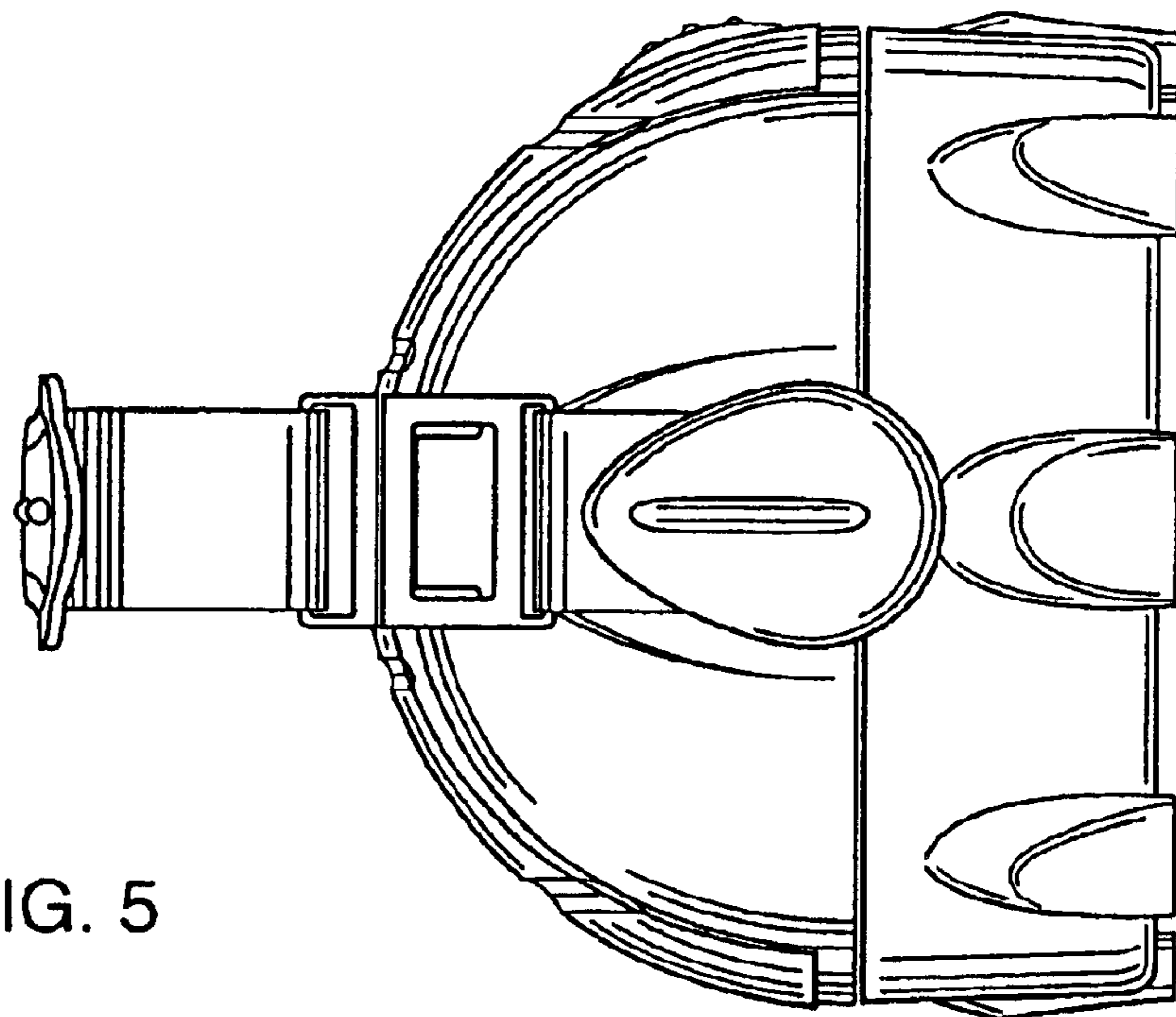


FIG. 5

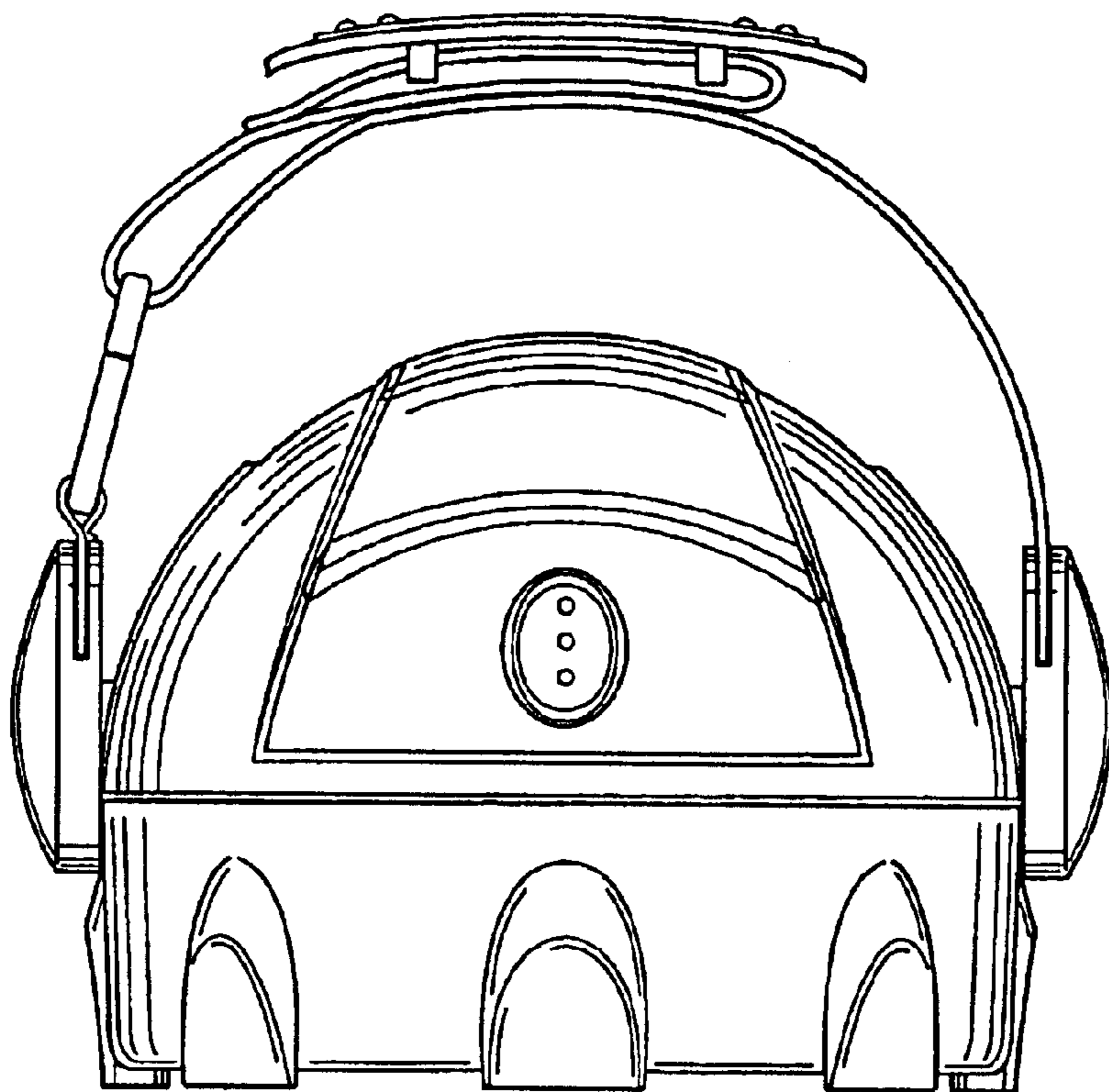


FIG. 6

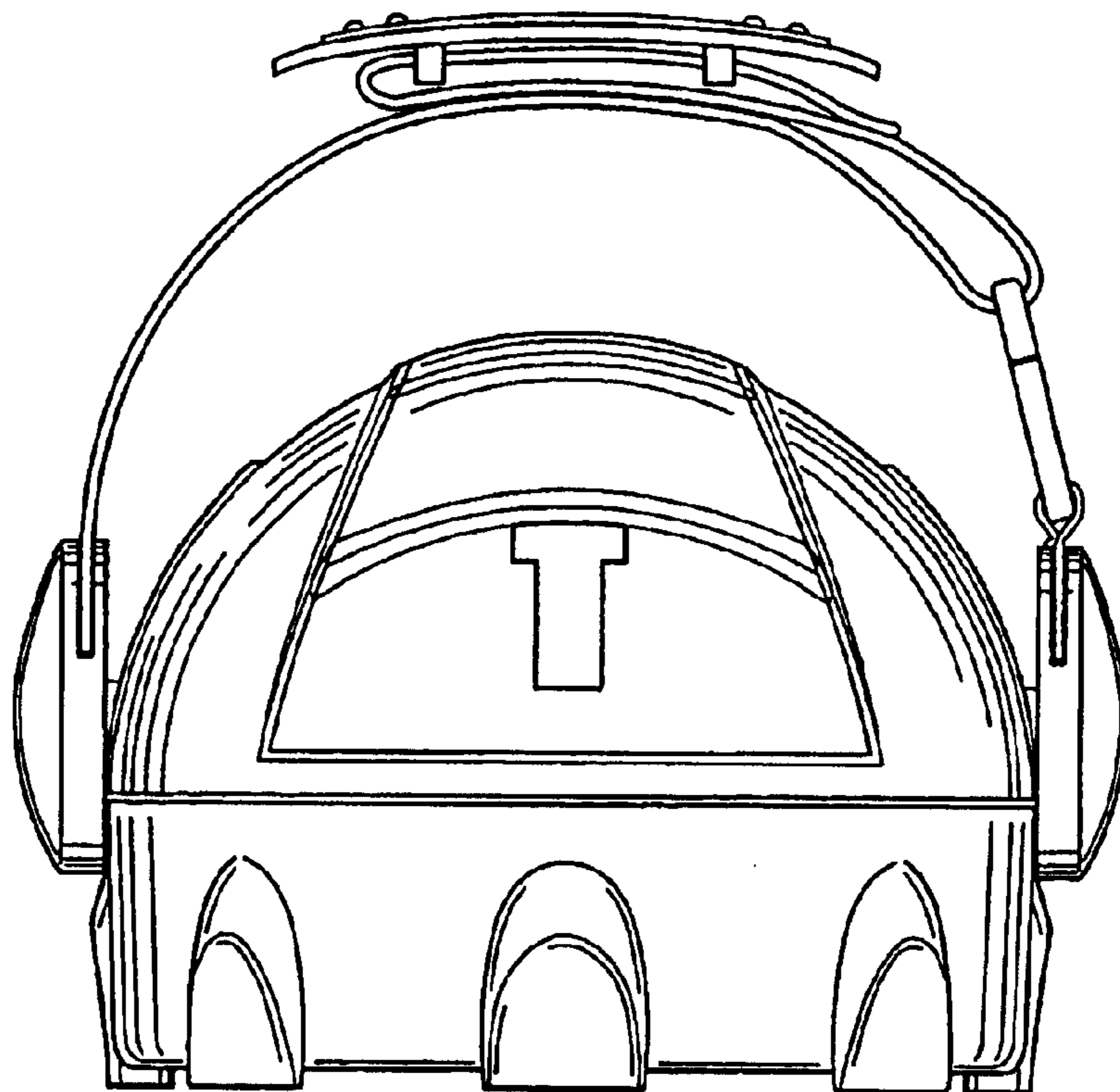


FIG. 7