



US00D504965S

(12) **United States Design Patent**  
**Lin**

(10) **Patent No.:** **US D504,965 S**

(45) **Date of Patent:** **\*\* May 10, 2005**

(54) **TAILLIGHT**

(76) **Inventor:** **Benny Lin**, No. 16, Lane 143, Sec. 2,  
Kuangfu Rd., Sanchung City, Taipei  
(TW)

(\*\*) **Term:** **14 Years**

(21) **Appl. No.:** **29/209,416**

(22) **Filed:** **Jul. 14, 2004**

(51) **LOC (7) Cl.** ..... **26-06**

(52) **U.S. Cl.** ..... **D26/28**

(58) **Field of Search** ..... D26/28-36; 362/457-468,  
362/475-478, 485-487

(56) **References Cited**

**U.S. PATENT DOCUMENTS**

D485,921 S \* 1/2004 Liao ..... D26/28

D490,916 S \* 6/2004 Pien ..... D26/28

\* cited by examiner

*Primary Examiner*—Marcus A. Jackson

(74) *Attorney, Agent, or Firm*—Alan D. Kamrath; Nikolai  
& Mersereau, P.A.

(57) **CLAIM**

The ornamental design for a taillight, as shown.

**DESCRIPTION**

FIG. 1 is a perspective view of a taillight, showing my new design;

FIG. 2 is a front view thereof;

FIG. 3 is a rear view thereof;

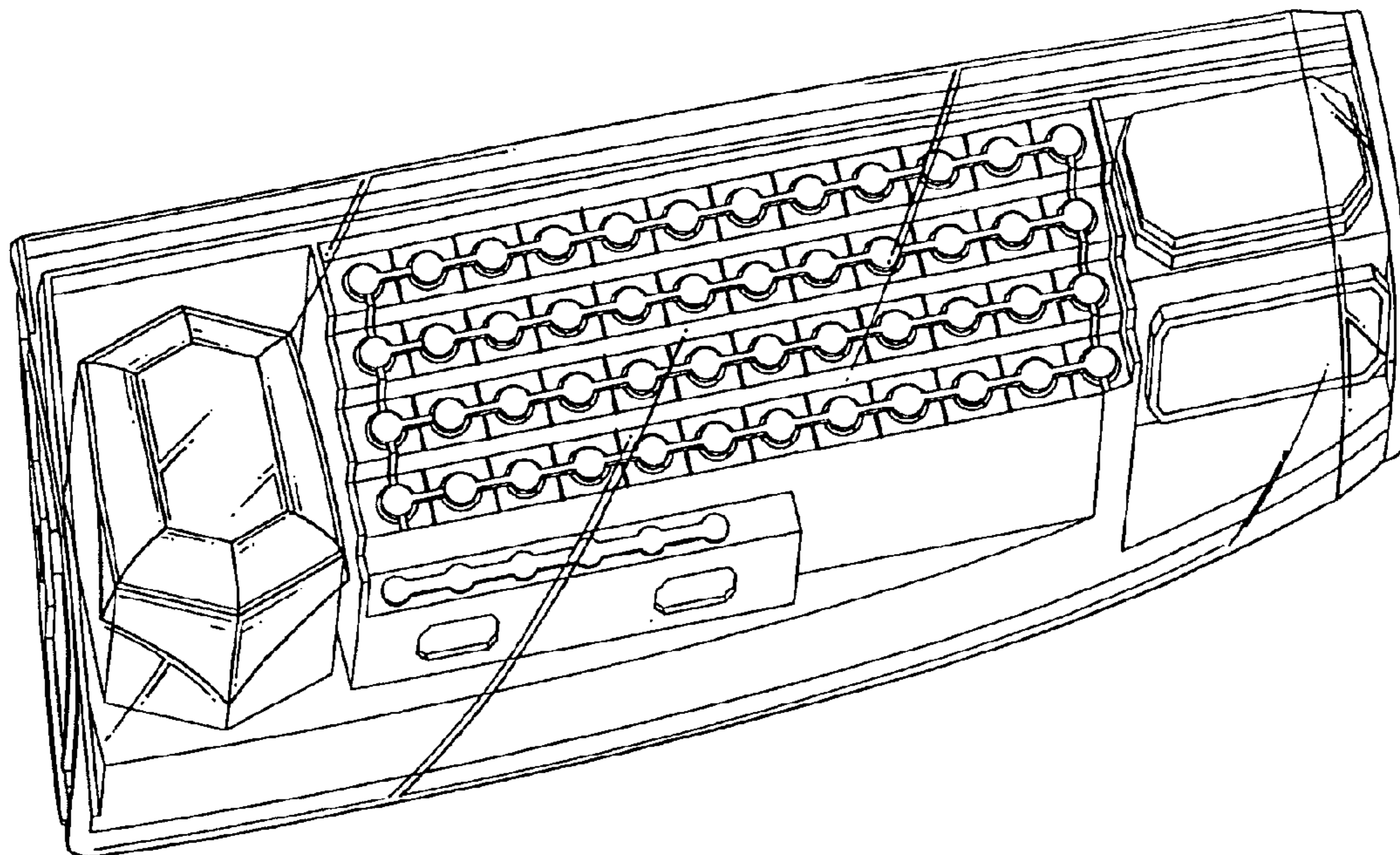
FIG. 4 is a left view thereof;

FIG. 5 is a right view thereof;

FIG. 6 is a top view thereof; and,

FIG. 7 is a bottom view thereof.

**1 Claim, 6 Drawing Sheets**



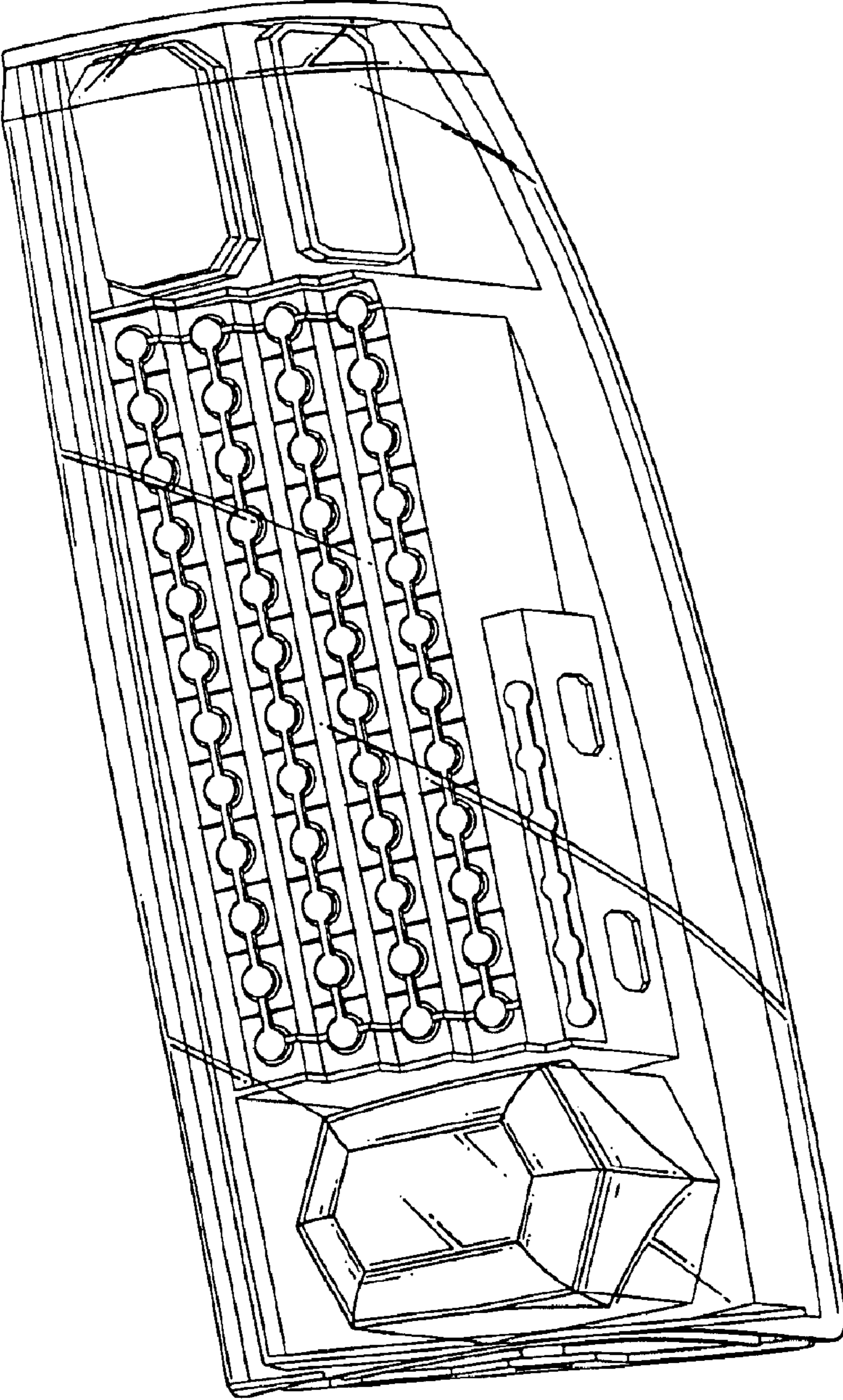


FIG.1

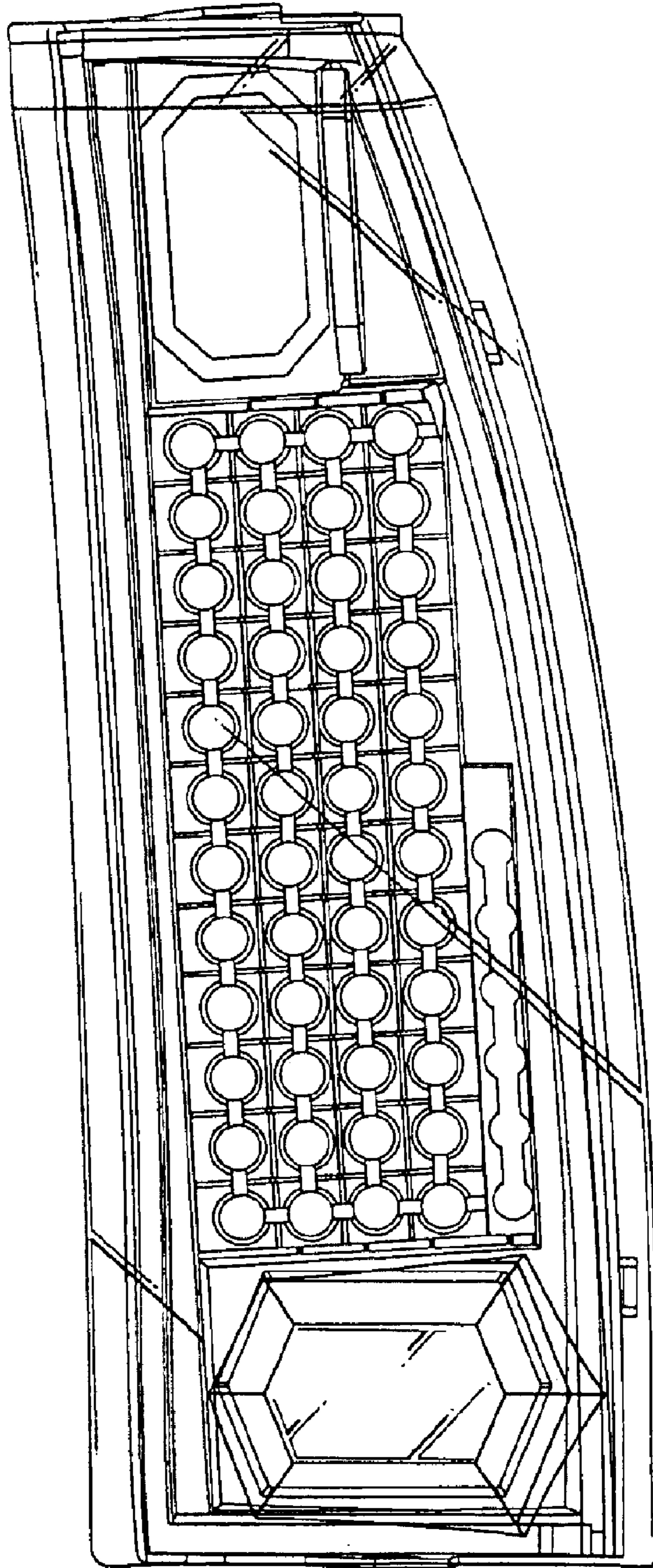


FIG. 2

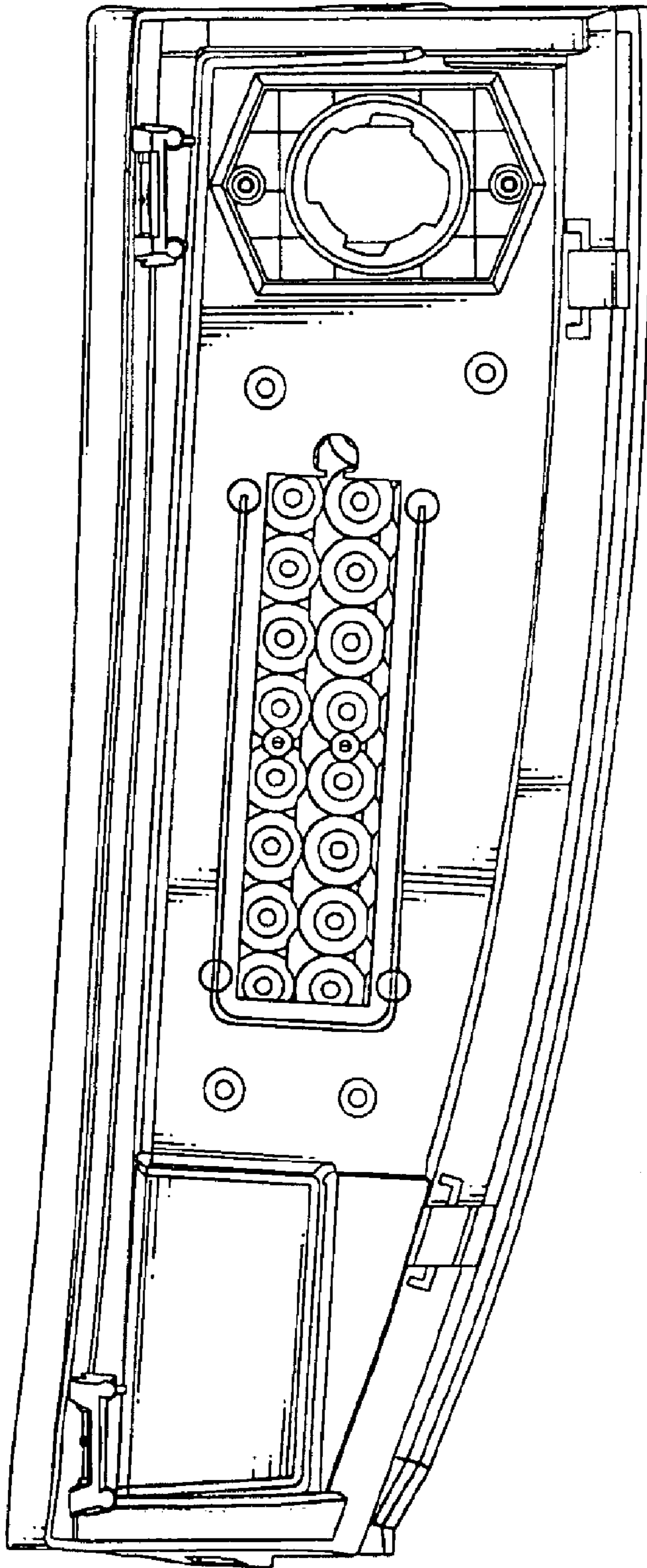


FIG. 3

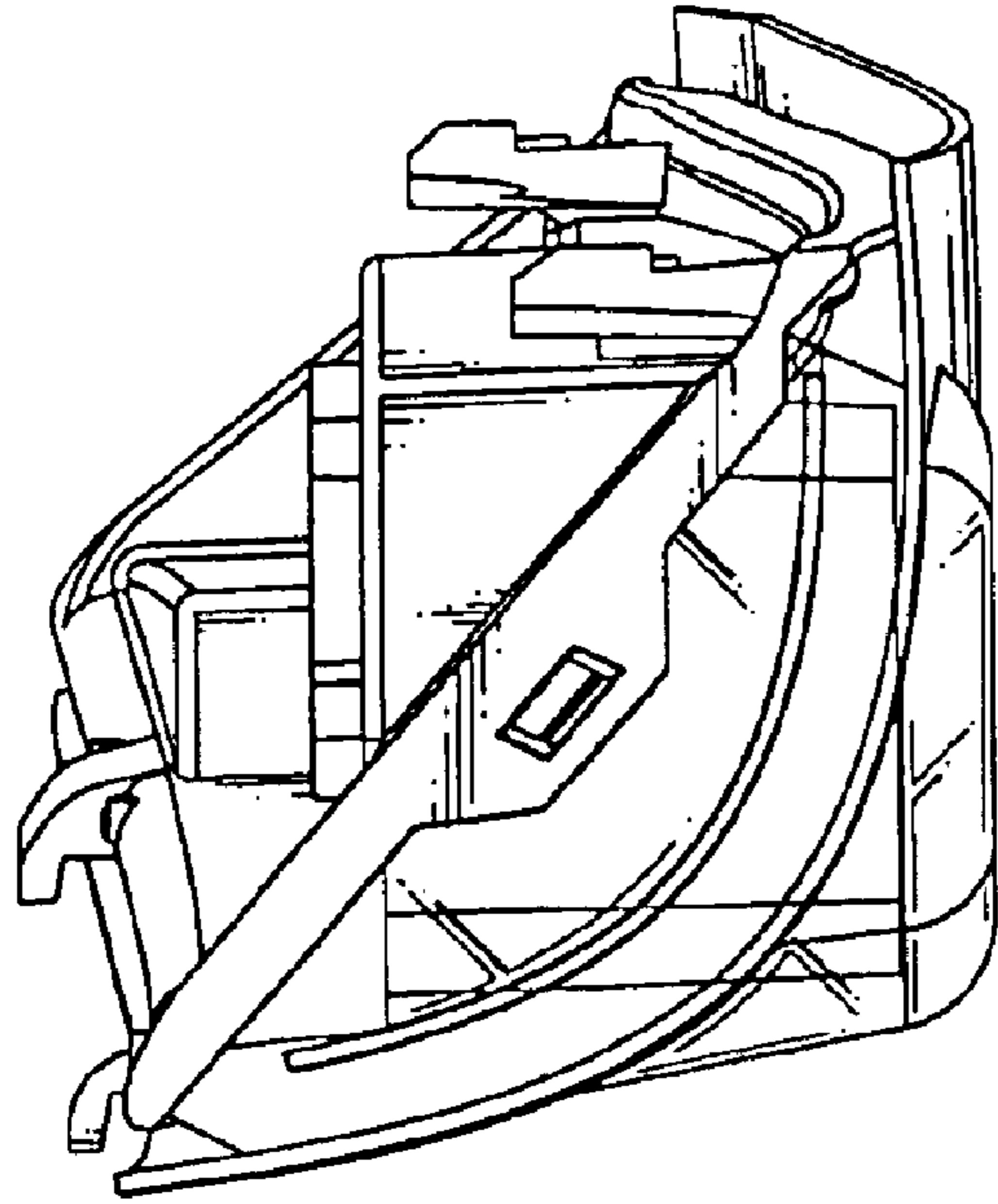


FIG. 4

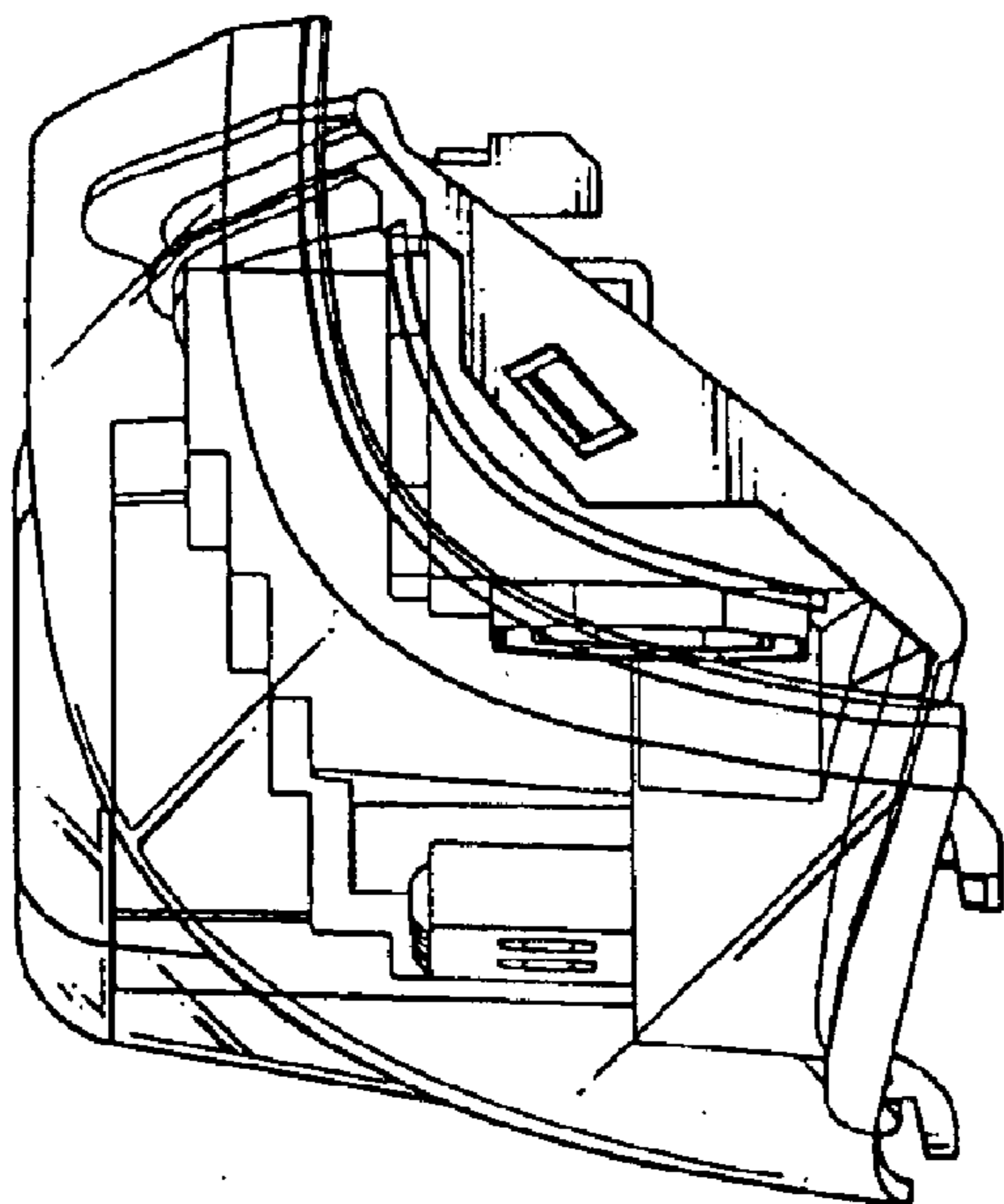


FIG. 5

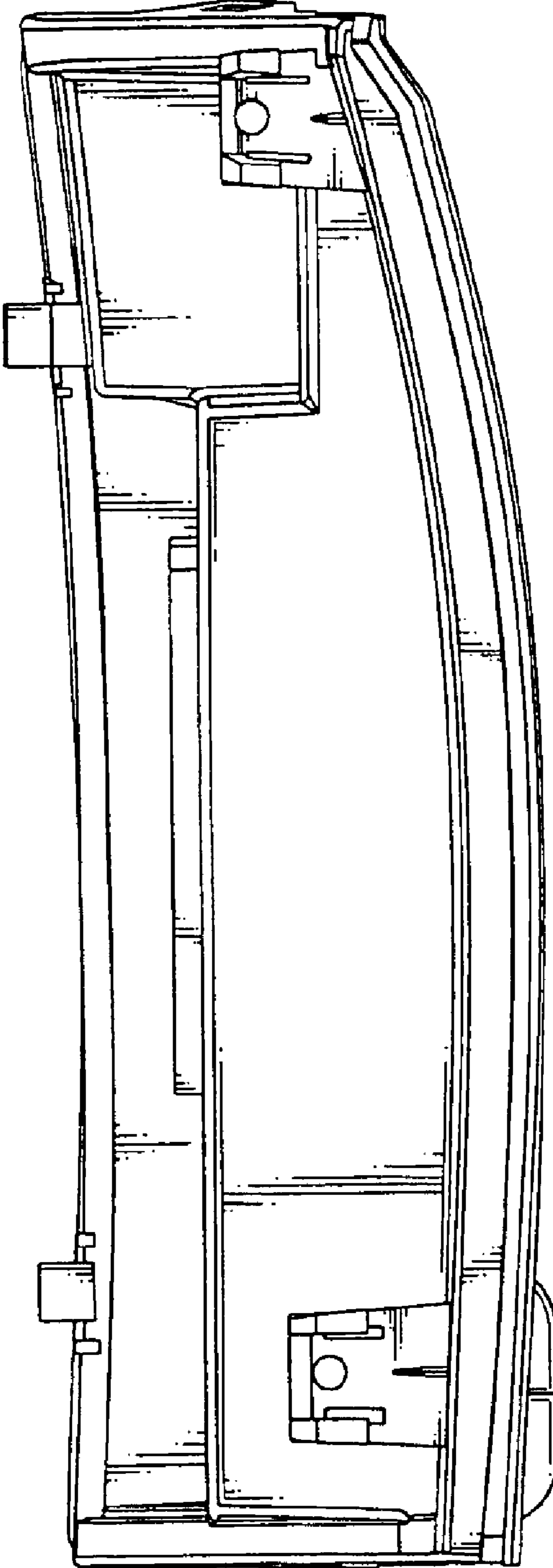


FIG.6

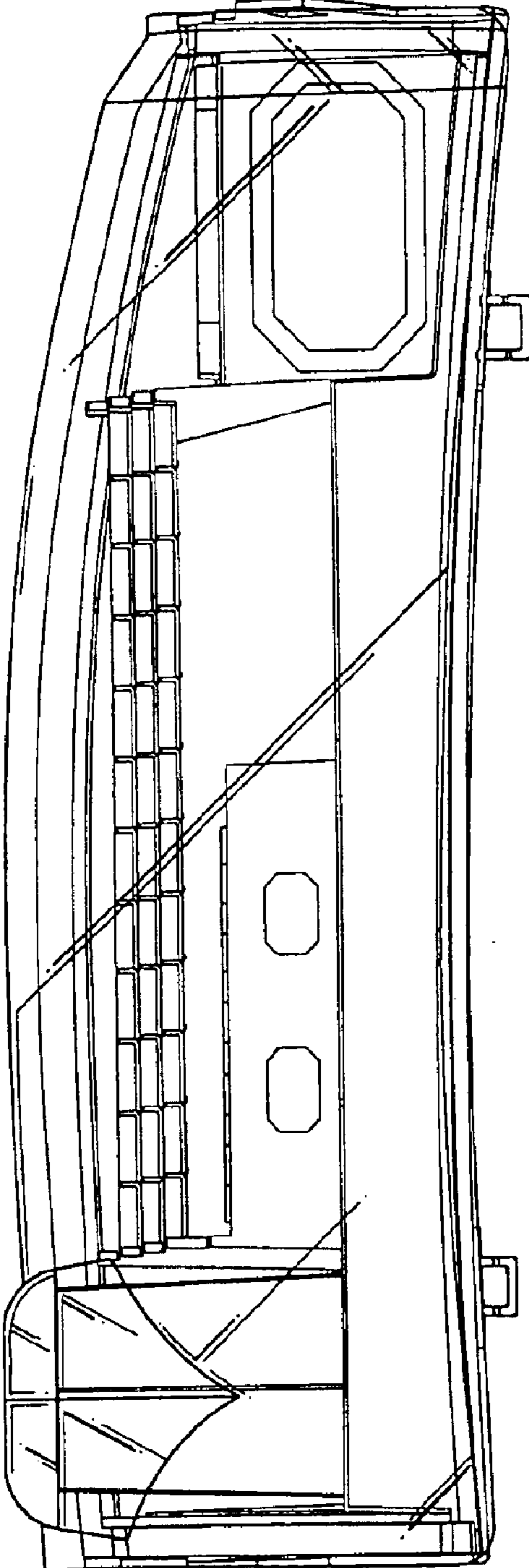


FIG.7