

US00D504961S

(12) **United States Design Patent**  
**Goss**

(10) **Patent No.:** **US D504,961 S**

(45) **Date of Patent:** **\*\* May 10, 2005**

(54) **WINDOW COMPONENT EXTRUSION**

D382,979 S \* 8/1997 DiGiorgio ..... D25/124  
D400,271 S \* 10/1998 Franson ..... D25/124  
D416,095 S 11/1999 Goss

(75) **Inventor:** **Lorane Goss**, Slippery Rock, PA (US)

\* cited by examiner

(73) **Assignee:** **Mikron Industries, Inc.**, Kent, WA (US)

*Primary Examiner*—Doris Clark

(\*\*) **Term:** **14 Years**

(74) *Attorney, Agent, or Firm*—Black Lowe & Graham PLLC

(21) **Appl. No.:** **29/198,955**

(57) **CLAIM**

(22) **Filed:** **Feb. 6, 2004**

The ornamental design for a window component extrusion, as shown and described.

(51) **LOC (7) Cl.** ..... **25-01**

(52) **U.S. Cl.** ..... **D25/124**

(58) **Field of Search** ..... D25/124, 125;  
52/204.5, 761, 474; 49/DIG. 2, 504

**DESCRIPTION**

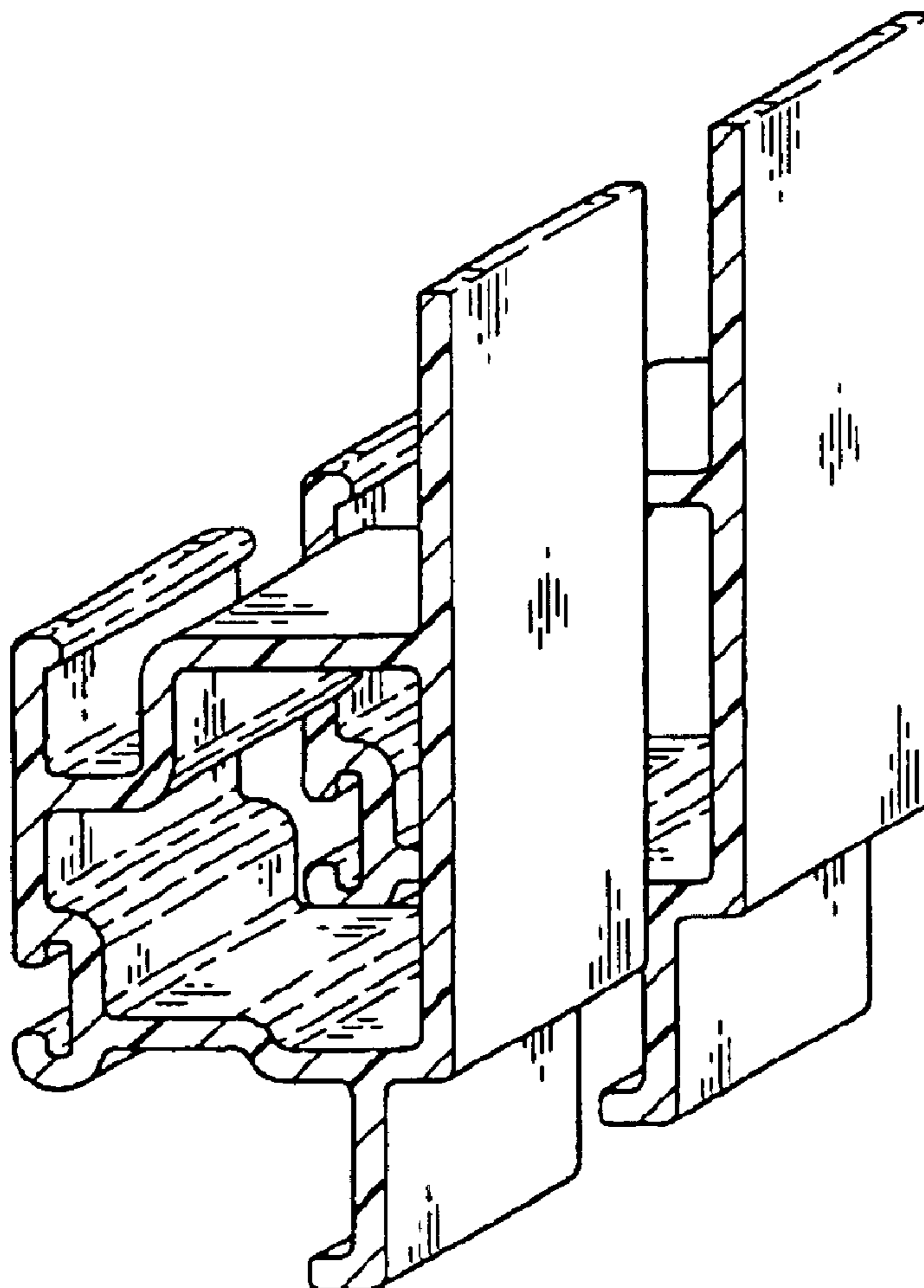
FIG. 1 is a top right perspective view of the window component extrusion which is broken in the center indicating indefinite length; and, FIG. 2 is a bottom left perspective view of the window component extrusion shown in FIG. 1.

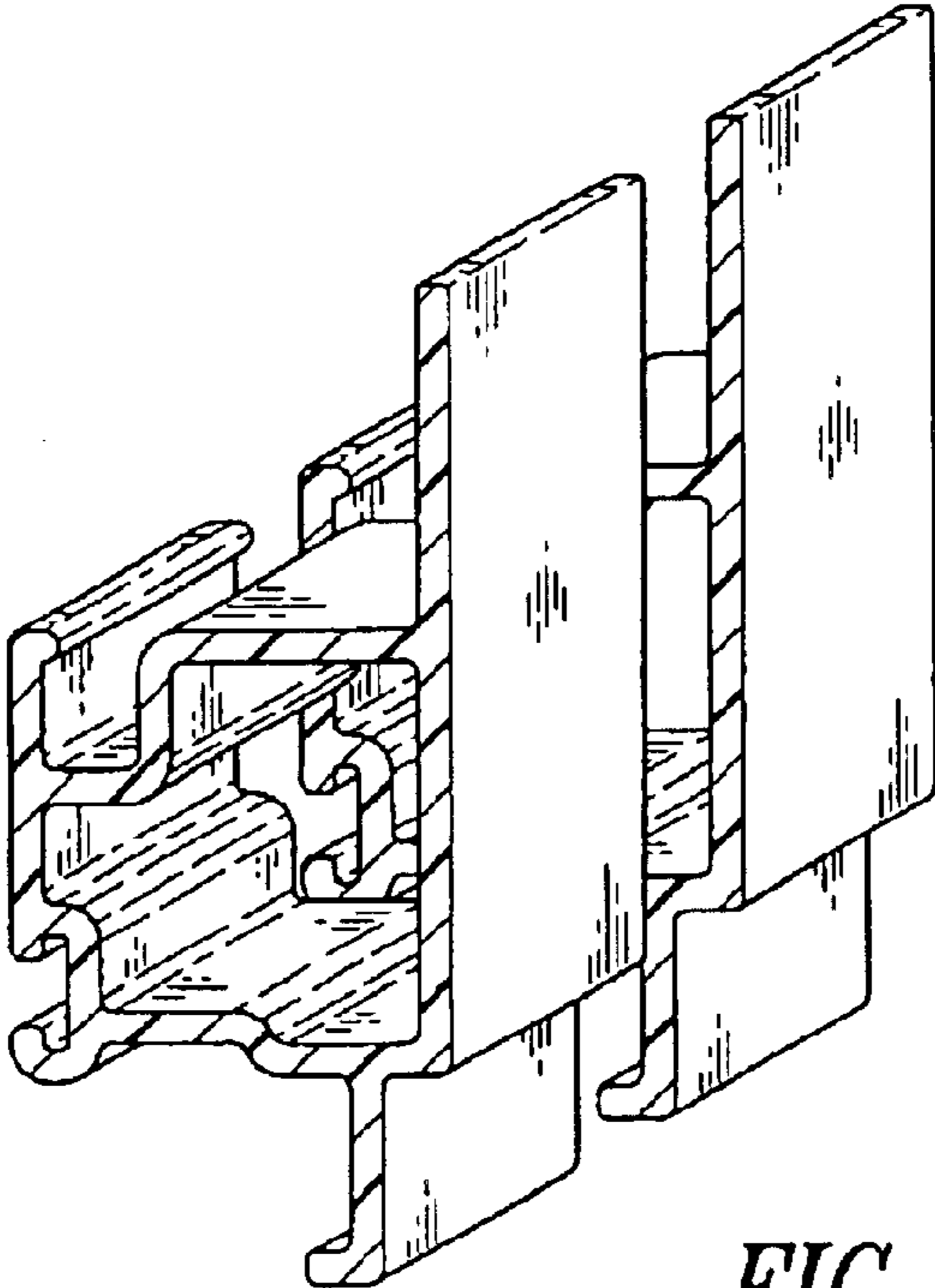
(56) **References Cited**

**U.S. PATENT DOCUMENTS**

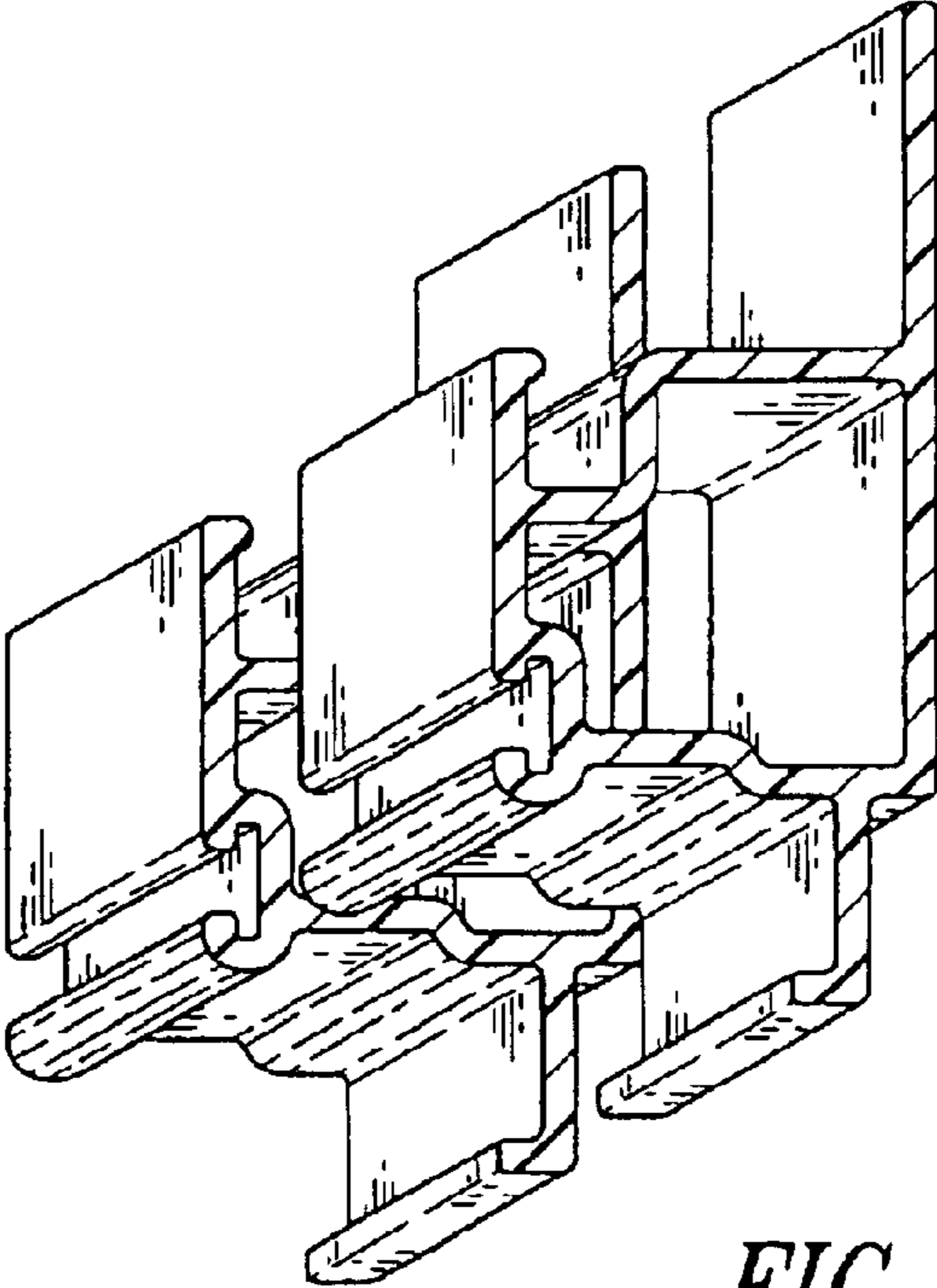
D356,646 S 3/1995 Cole  
D357,077 S 4/1995 Franson

**1 Claim, 1 Drawing Sheet**





*FIG. 1*



*FIG. 2*