

US00D504960S

(12) **United States Design Patent**
Fannan

(10) **Patent No.:** **US D504,960 S**

(45) **Date of Patent:** **** May 10, 2005**

(54) **WINDOW COMPONENT EXTRUSION**

(75) **Inventor:** **Michael R. Fannan**, Pecatonica, IL (US)

(73) **Assignee:** **Mikron Industries, Inc.**, Kent, WA (US)

(**) **Term:** **14 Years**

(21) **Appl. No.:** **29/198,302**

(22) **Filed:** **Jan. 27, 2004**

(51) **LOC (7) Cl.** **25-01**

(52) **U.S. Cl.** **D25/124**

(58) **Field of Search** D25/124, 125;
52/204.1, 204.5; 49/DIG. 2, 504

(56) **References Cited**

U.S. PATENT DOCUMENTS

D405,891 S 2/1999 Oliver et al.
D432,678 S * 10/2000 Habeck et al. D25/124

OTHER PUBLICATIONS

Mirkon Part No. 7481; First Drawn: Nov. 6, 1996, First Sold: Mar. 5, 1997.

* cited by examiner

Primary Examiner—Doris Clark

(74) *Attorney, Agent, or Firm*—Black Lowe & Graham PLLC

(57) **CLAIM**

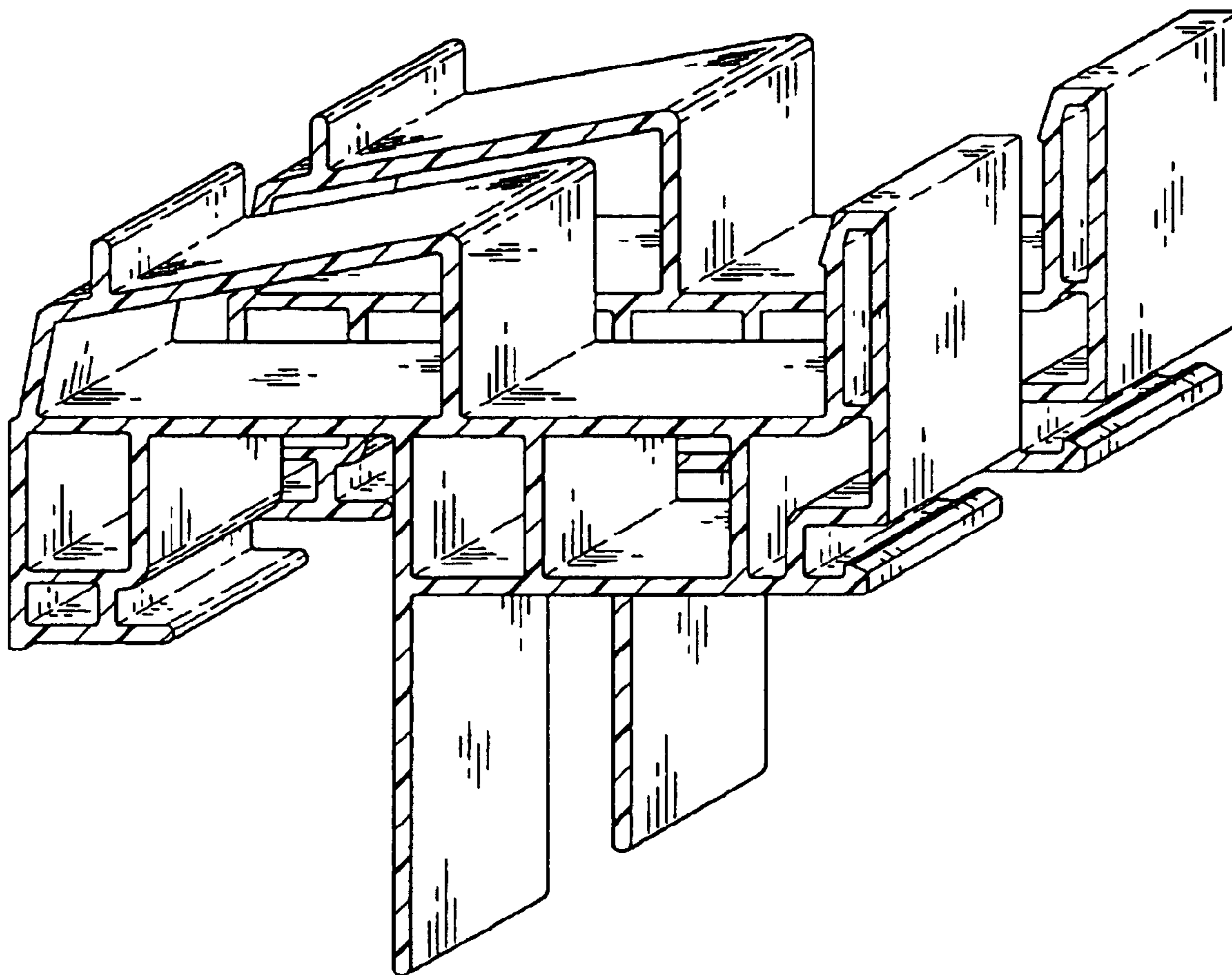
The ornamental design for a window component extrusion, as shown and described.

DESCRIPTION

FIG. 1 is a top right perspective view of the window component extrusion which is broken in the center indicating indefinite length; and,

FIG. 2 is a bottom left perspective view of the window component extrusion shown in FIG. 1.

1 Claim, 1 Drawing Sheet



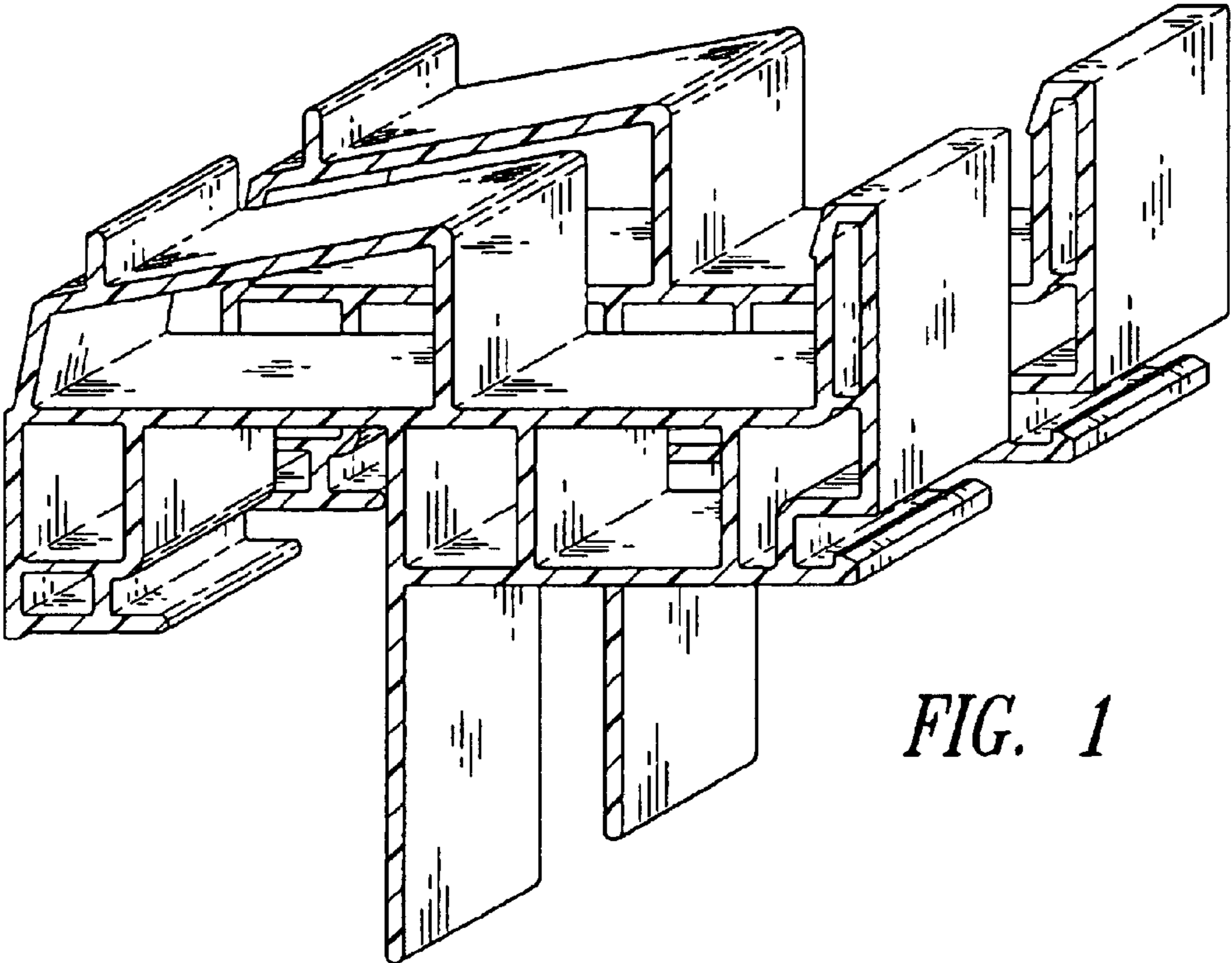


FIG. 1

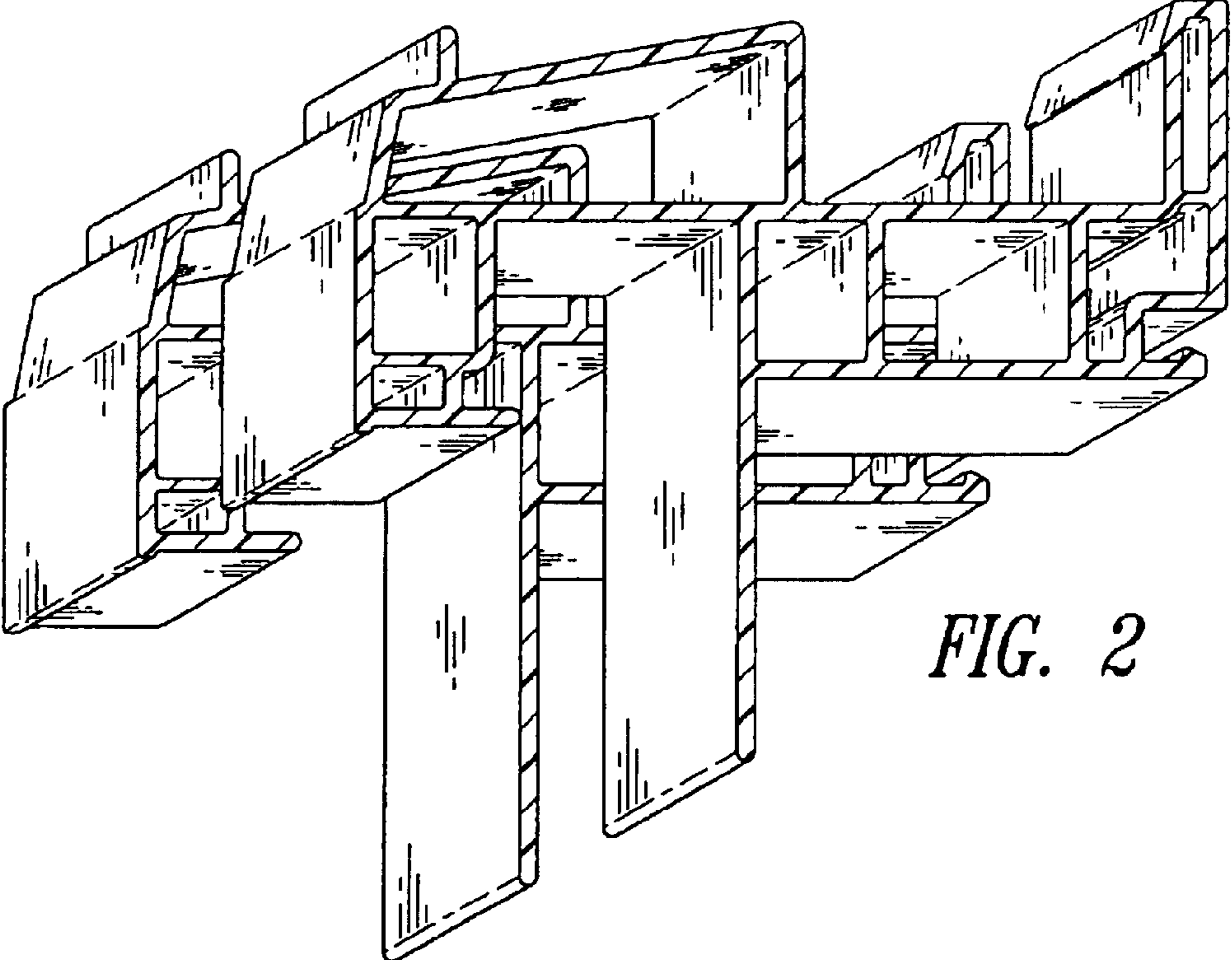


FIG. 2