



US00D504958S

(12) **United States Design Patent**  
**Cole**

(10) **Patent No.:** **US D504,958 S**

(45) **Date of Patent:** **\*\* May 10, 2005**

(54) **WINDOW COMPONENT EXTRUSION**

D469,884 S \* 2/2003 Franson ..... D25/119  
D470,244 S \* 2/2003 Franson ..... D25/119

(75) **Inventor:** **Douglas L. Cole, Seattle, WA (US)**

\* cited by examiner

(73) **Assignee:** **Mikron Industries, Inc., Kent, WA (US)**

*Primary Examiner*—Doris Clark  
(74) *Attorney, Agent, or Firm*—Black Lowe & Graham PLLC

(\*\*) **Term:** **14 Years**

(21) **Appl. No.:** **29/207,459**

(57) **CLAIM**

(22) **Filed:** **Jun. 14, 2004**

The ornamental design for a window component extrusion, as shown and described.

(51) **LOC (7) Cl.** ..... **25-01**

(52) **U.S. Cl.** ..... **D25/119**

(58) **Field of Search** ..... D25/124, 119,  
D25/125; 52/204.1; 49/DIG. 2, 504

**DESCRIPTION**

FIG. 1 is a top right perspective view of the window component extrusion which is broken in the center indicating indefinite length; and, FIG. 2 is a bottom left perspective view of the window component extrusion shown in FIG. 1.

(56) **References Cited**

**U.S. PATENT DOCUMENTS**

3,662,494 A \* 5/1972 Sitterly ..... 49/504  
4,578,905 A \* 4/1986 Hout ..... 49/504

**1 Claim, 1 Drawing Sheet**

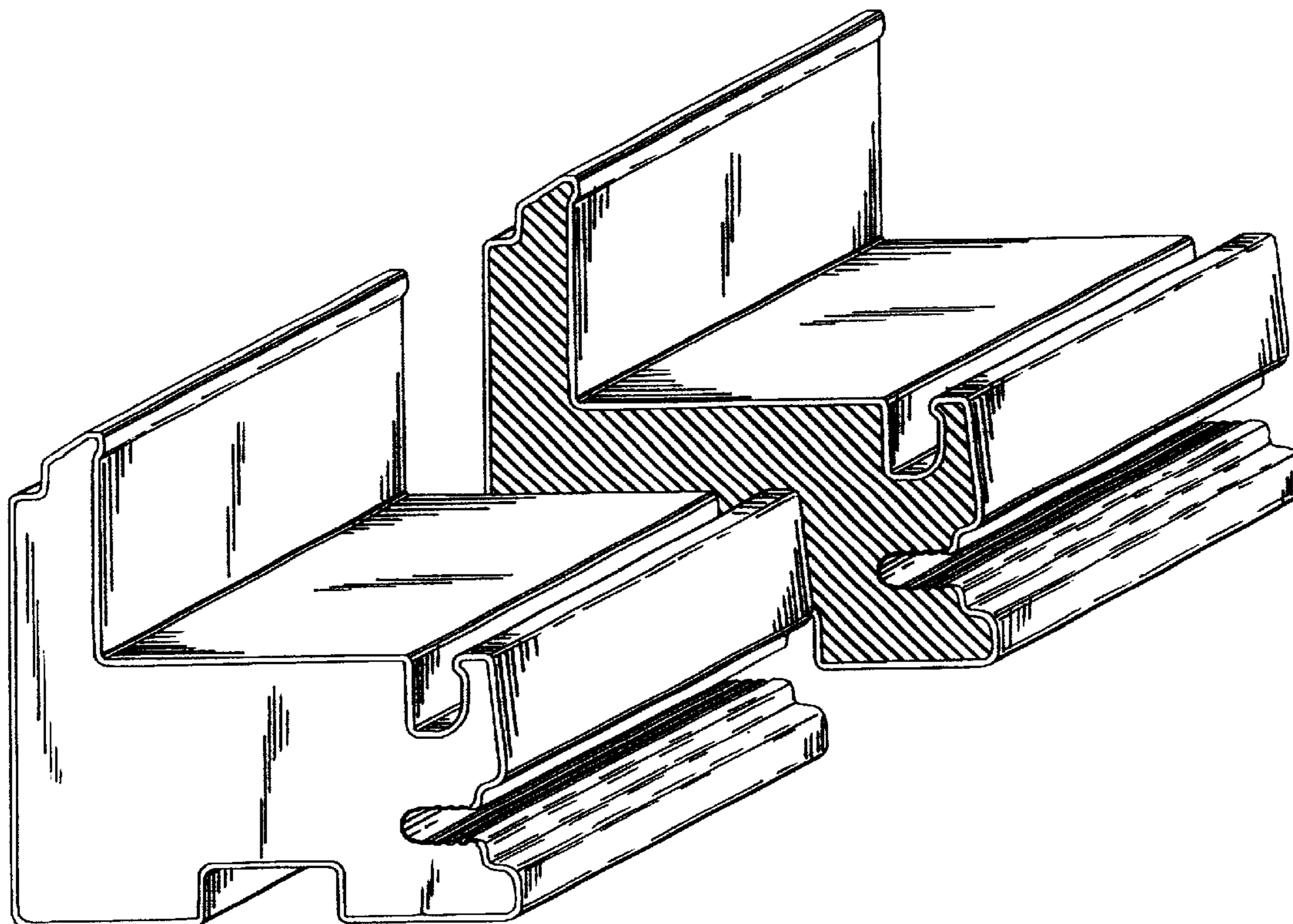


FIG.1

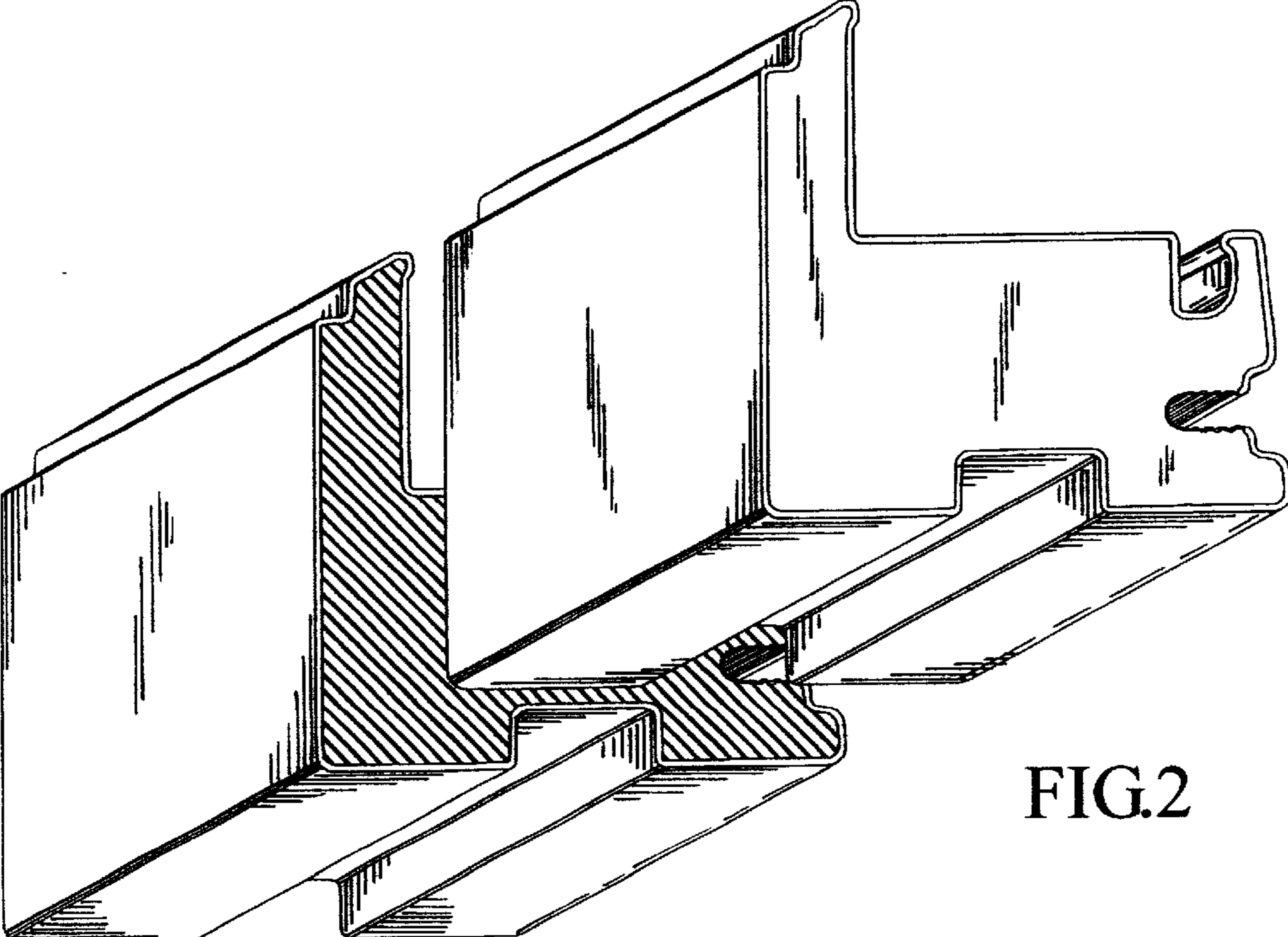
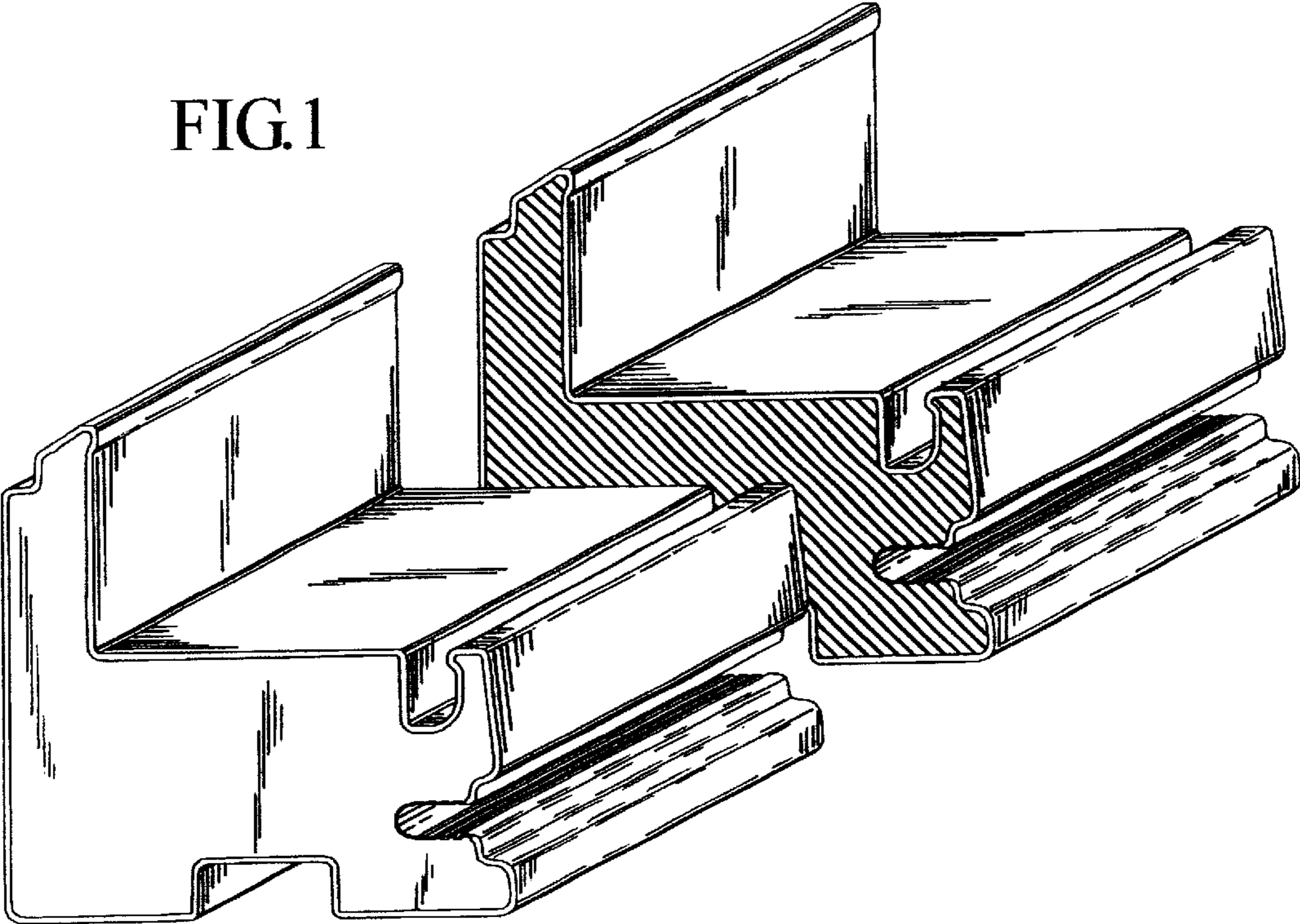


FIG.2