



US00D504951S

(12) **United States Design Patent**  
**Johnston**

(10) **Patent No.:** **US D504,951 S**

(45) **Date of Patent:** **\*\* May 10, 2005**

(54) **TAPERED PLEDGET**

(75) **Inventor:** **Terry Johnston**, Hollywood, FL (US)

(73) **Assignee:** **OMT, LLC**, Hollywood, FL (US)

(\*\*) **Term:** **14 Years**

(21) **Appl. No.:** **29/206,683**

(22) **Filed:** **Jun. 2, 2004**

(51) **LOC (7) Cl.** ..... **24-04**

(52) **U.S. Cl.** ..... **D24/189**

(58) **Field of Search** ..... D24/108, 119,  
D24/189, 141; 604/1, 304, 312, 385.13,  
540, 543; D19/34

(56) **References Cited**

**U.S. PATENT DOCUMENTS**

- D242,954 S \* 1/1977 Rand ..... D24/189
- 4,373,529 A \* 2/1983 Lilaonitkul et al. .... 604/385.18
- D410,679 S \* 6/1999 Blanchard et al. .... D19/34

D463,564 S \* 9/2002 Siegart et al. .... D24/189

\* cited by examiner

*Primary Examiner*—Louis S. Zarfes

*Assistant Examiner*—Daniel Yu

(74) *Attorney, Agent, or Firm*—The Barthel Firm  
Alexander Barthel

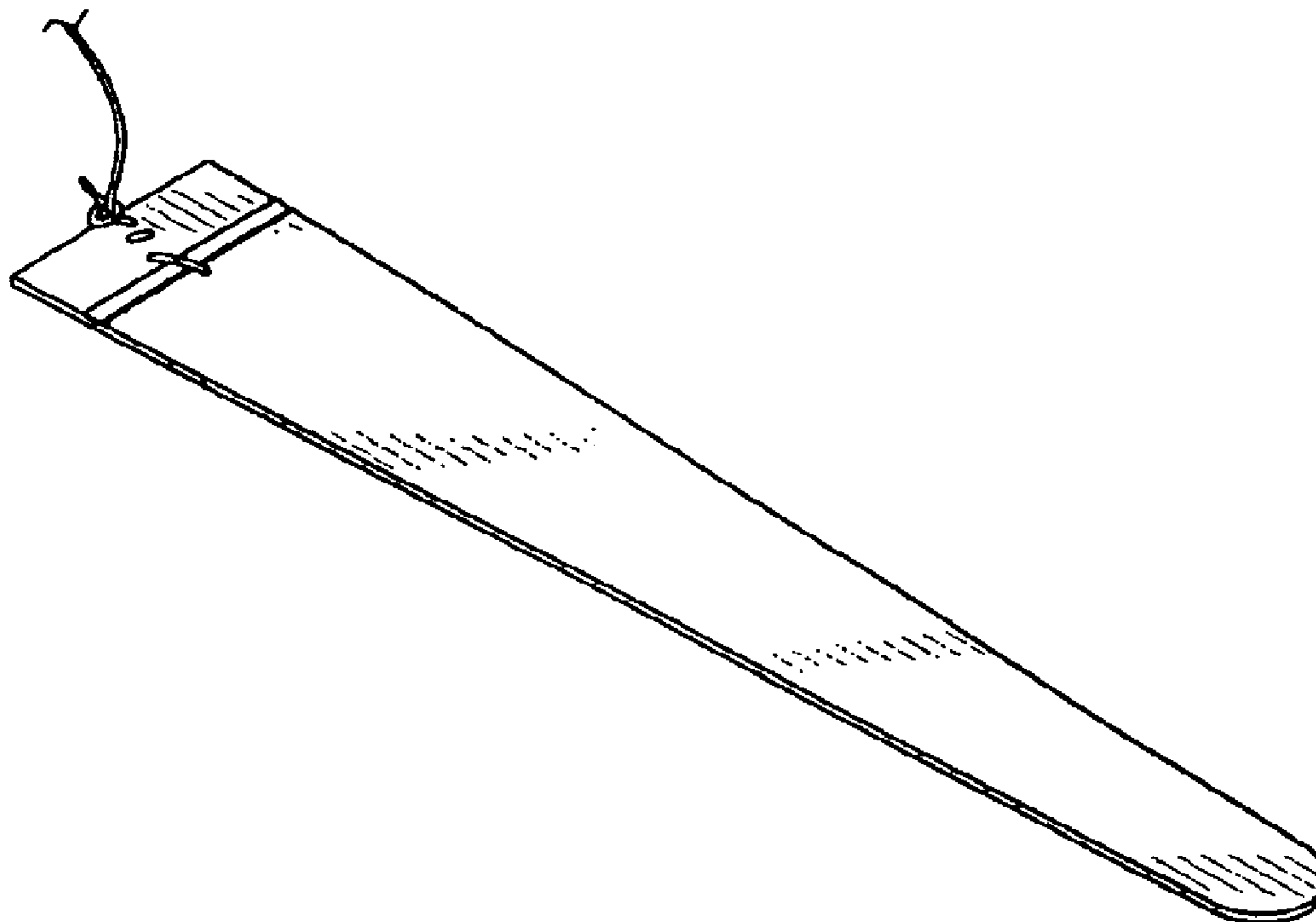
(57) **CLAIM**

I claim the ornamental design for a tapered pledget, as shown and described.

**DESCRIPTION**

FIG. 1 is a perspective view of the tapered pledget;  
FIG. 2 is a top plan view thereof;  
FIG. 3 is a rear plan view thereof;  
FIG. 4 is a front plan view thereof;  
FIG. 5 is a left plan view thereof;  
FIG. 6 is a right plan view thereof; and,  
FIG. 7 is a bottom plan view thereof.

**1 Claim, 3 Drawing Sheets**



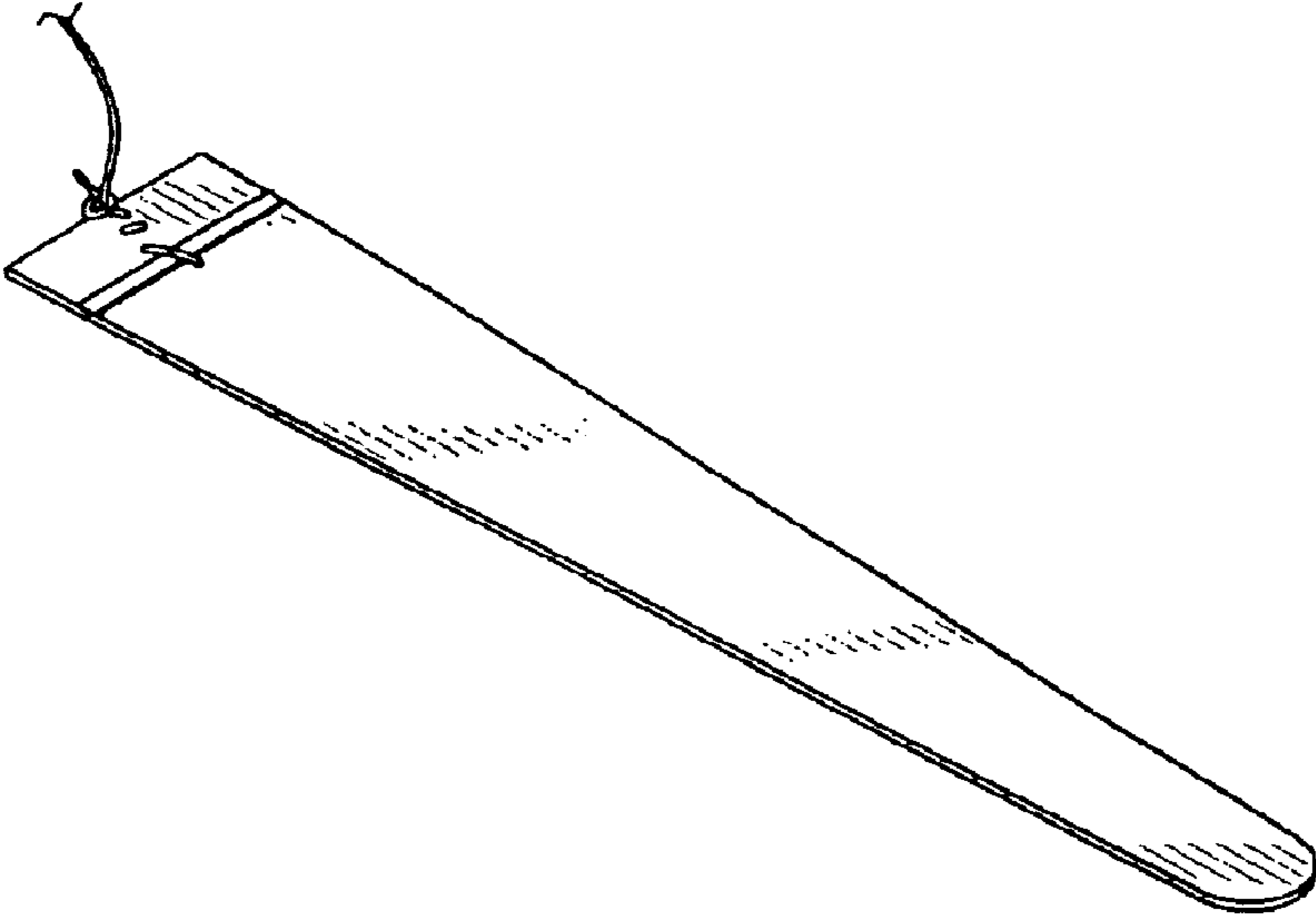


FIG. 1

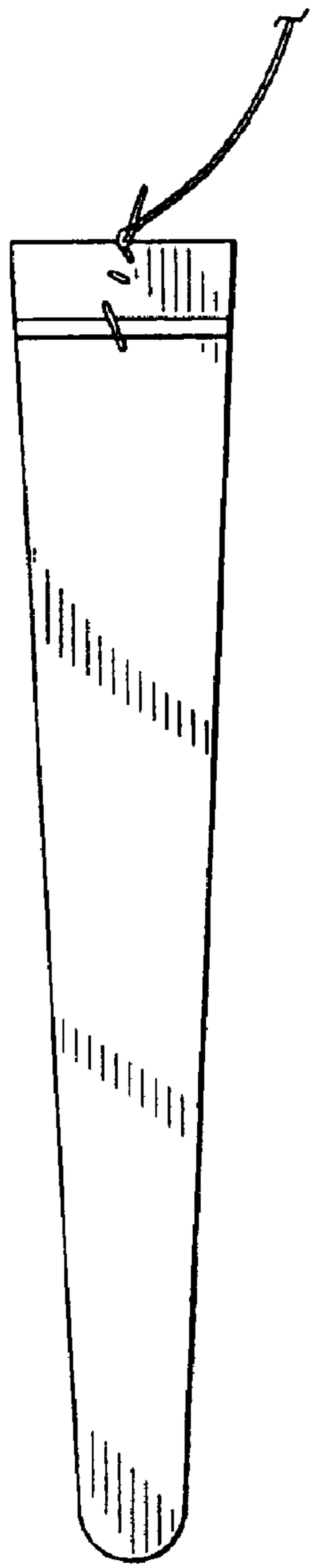


FIG. 2

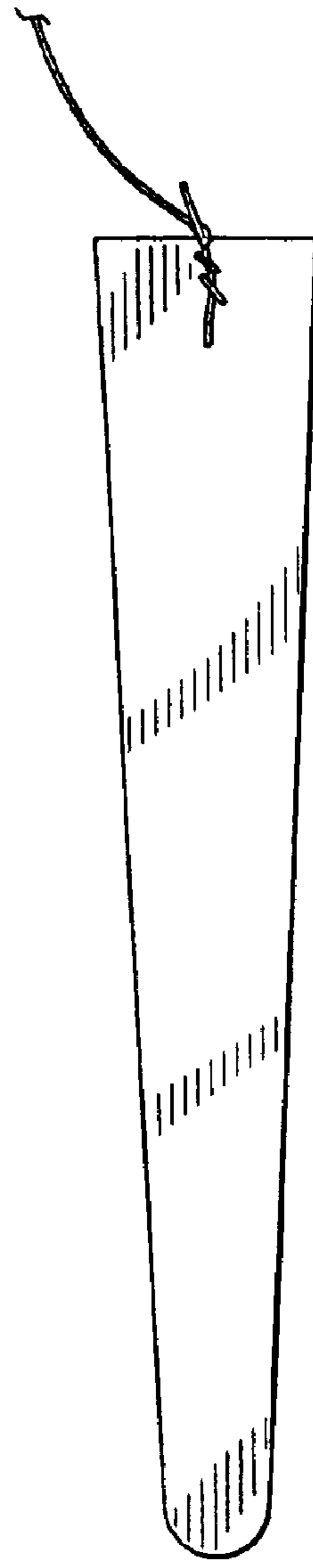


FIG. 7

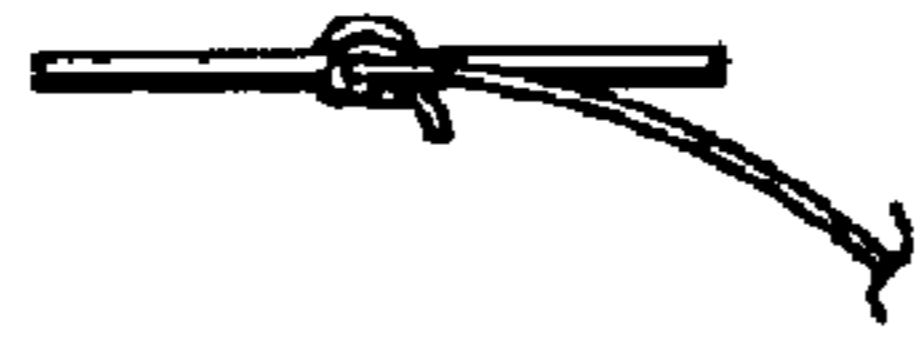


FIG. 3

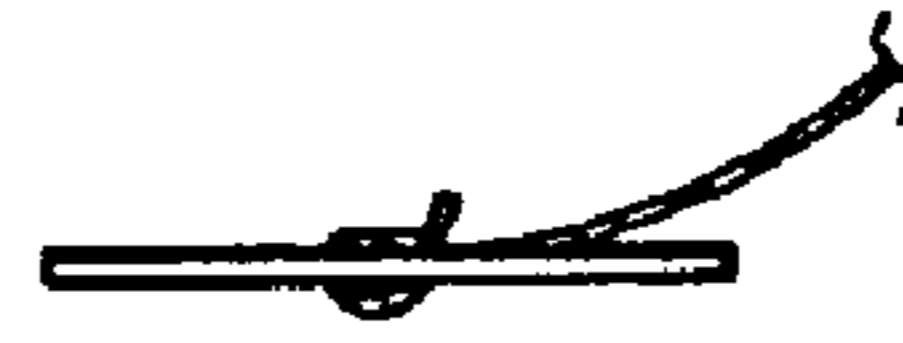


FIG. 4



FIG. 5

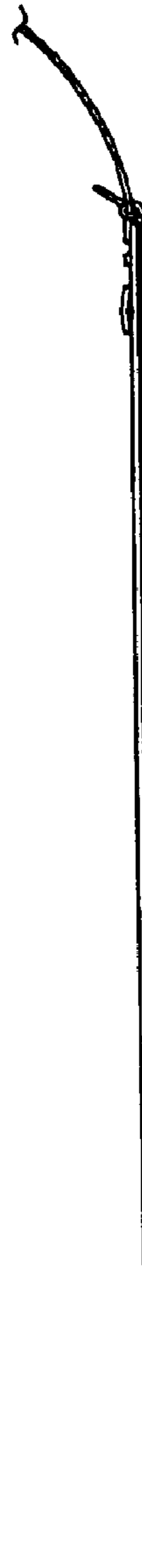


FIG. 6