



US00D504950S

(12) **United States Design Patent** (10) **Patent No.:** **US D504,950 S**  
**Lai et al.** (45) **Date of Patent:** **\*\* May 10, 2005**

- (54) **ORTHODONTIC APPLIANCE**
- (75) Inventors: **Ming-Lai Lai**, Arcadia, CA (US);  
**Jirina V. Pospisil**, Hacienda Heights,  
CA (US); **Russell A. Jordan**, Rancho  
Cucamonga, CA (US)
- (73) Assignee: **3M Innovative Properties Company**,  
St. Paul, MN (US)
- (\*\*) Term: **14 Years**
- (21) Appl. No.: **29/198,721**
- (22) Filed: **Feb. 3, 2004**
- (51) **LOC (7) Cl.** ..... **24-99**
- (52) **U.S. Cl.** ..... **D24/180**
- (58) **Field of Search** ..... D24/152, 153,  
D24/154, 155, 156, 180, 182, 140, 141;  
433/8, 9, 10, 13, 16

- 5,269,681 A 12/1993 Degnan  
5,358,402 A 10/1994 Reed et al.  
5,366,372 A 11/1994 Hansen et al.  
5,380,196 A 1/1995 Kelly et al.  
D358,649 S \* 5/1995 Moschik ..... D24/180  
5,439,379 A 8/1995 Hansen  
6,648,638 B2 11/2003 Castro et al.  
6,709,268 B2 3/2004 Pospisil  
2003/0113683 A1 6/2003 Puttler et al.

\* cited by examiner

*Primary Examiner*—Charles A. Rademaker  
(74) *Attorney, Agent, or Firm*—James D. Christoff

(57) **CLAIM**

The ornamental design for an orthodontic appliance, as shown and described.

**DESCRIPTION**

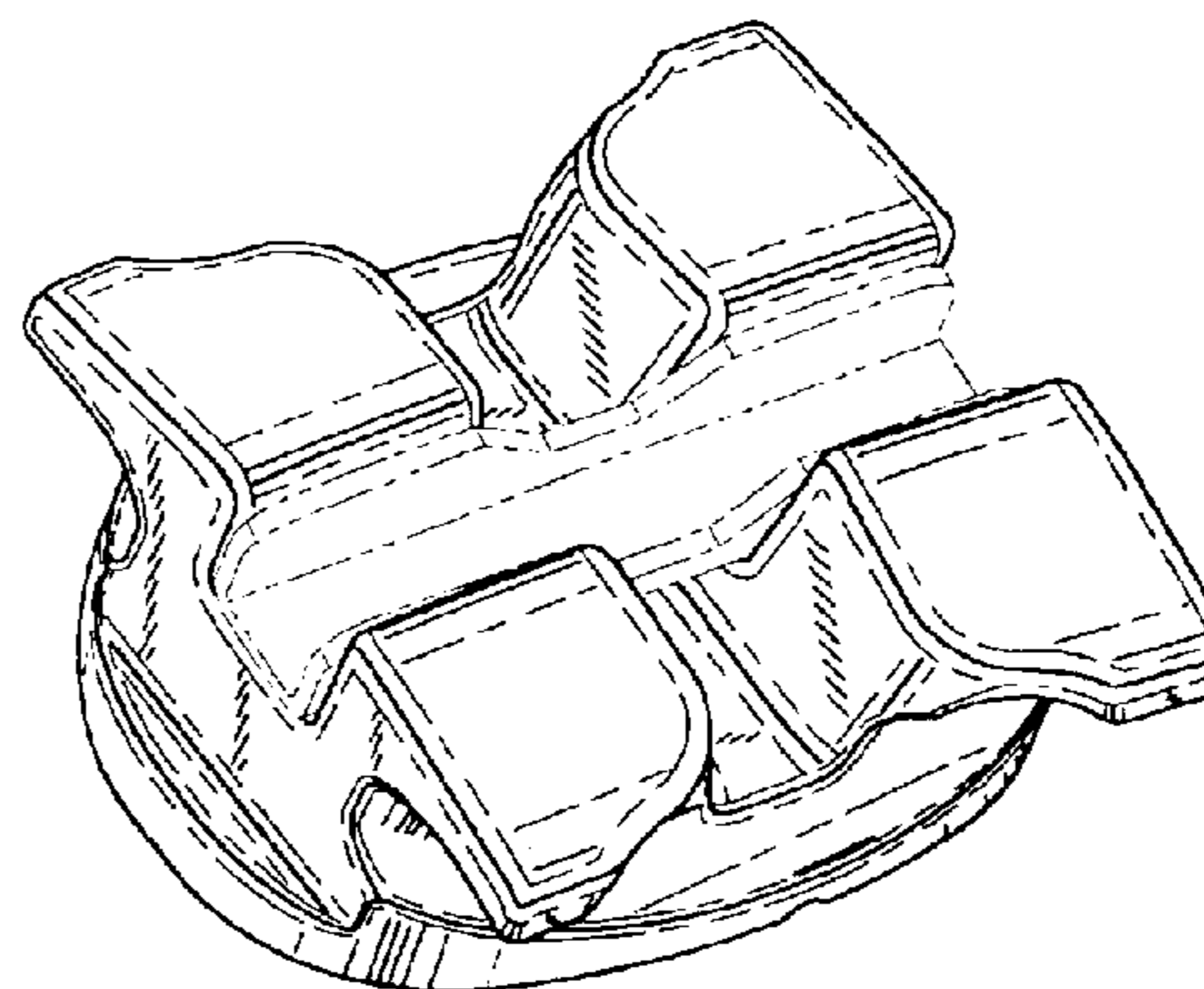
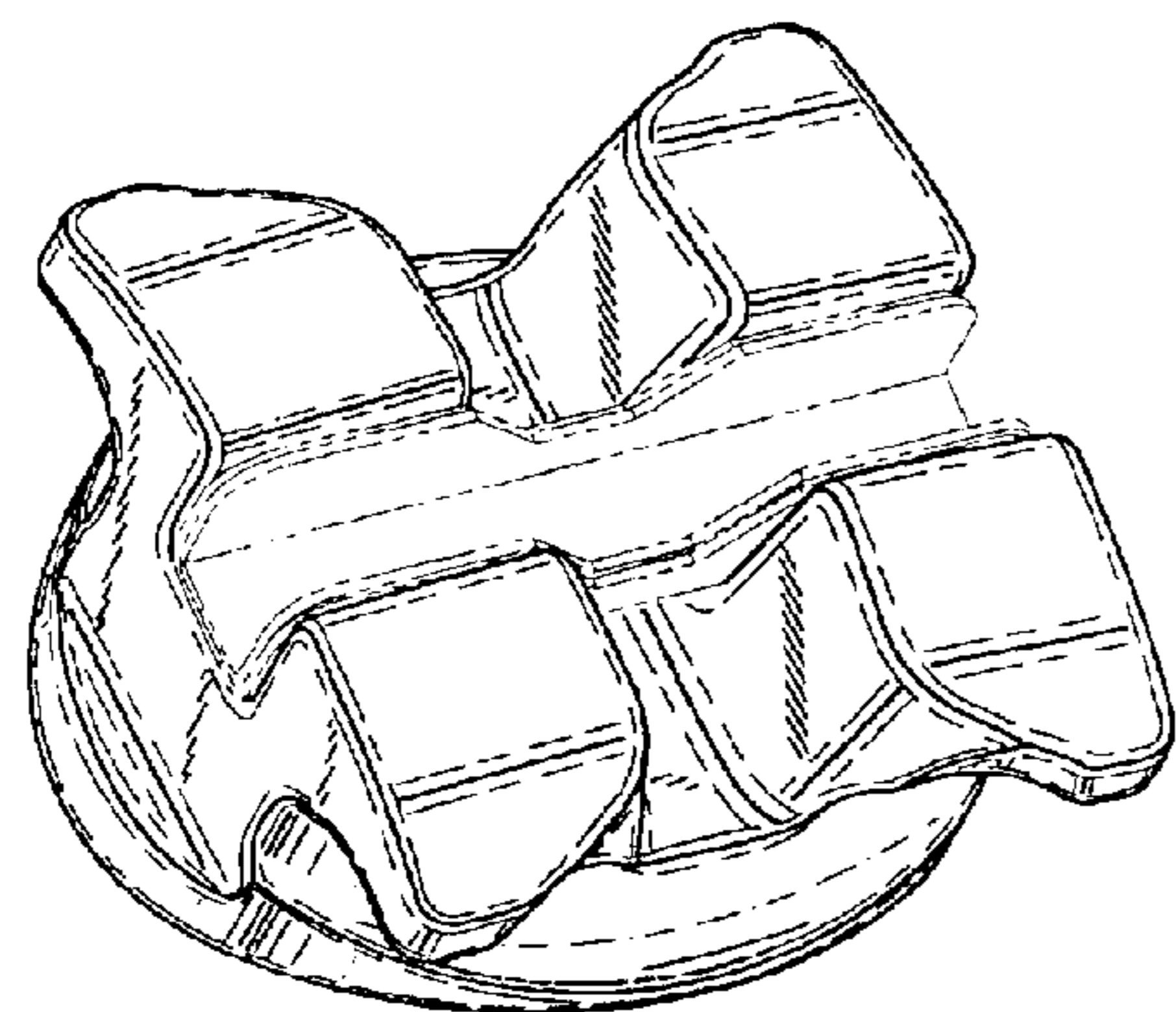
FIG. 1 is a bottom, front, left side perspective view of an orthodontic appliance showing our new design;  
FIG. 2 is a top, rear, left side perspective view thereof;  
FIG. 3 is a left side elevational view thereof;  
FIG. 4 is a right side elevational view thereof;  
FIG. 5 is a top plan view thereof;  
FIG. 6 is a bottom view thereof;  
FIG. 7 is a front elevational view thereof;  
FIG. 8 is a rear elevational view thereof;  
FIG. 9 is a bottom, front, left side perspective view of an orthodontic appliance illustrating another embodiment of our new design;  
FIG. 10 is a top, rear, left side perspective view thereof;  
FIG. 11 is a left side elevational view thereof;  
FIG. 12 is a right side elevational view thereof;  
FIG. 13 is a top plan view thereof;  
FIG. 14 is a bottom view thereof;  
FIG. 15 is a front elevational view thereof; and,  
FIG. 16 is a rear elevational view thereof.

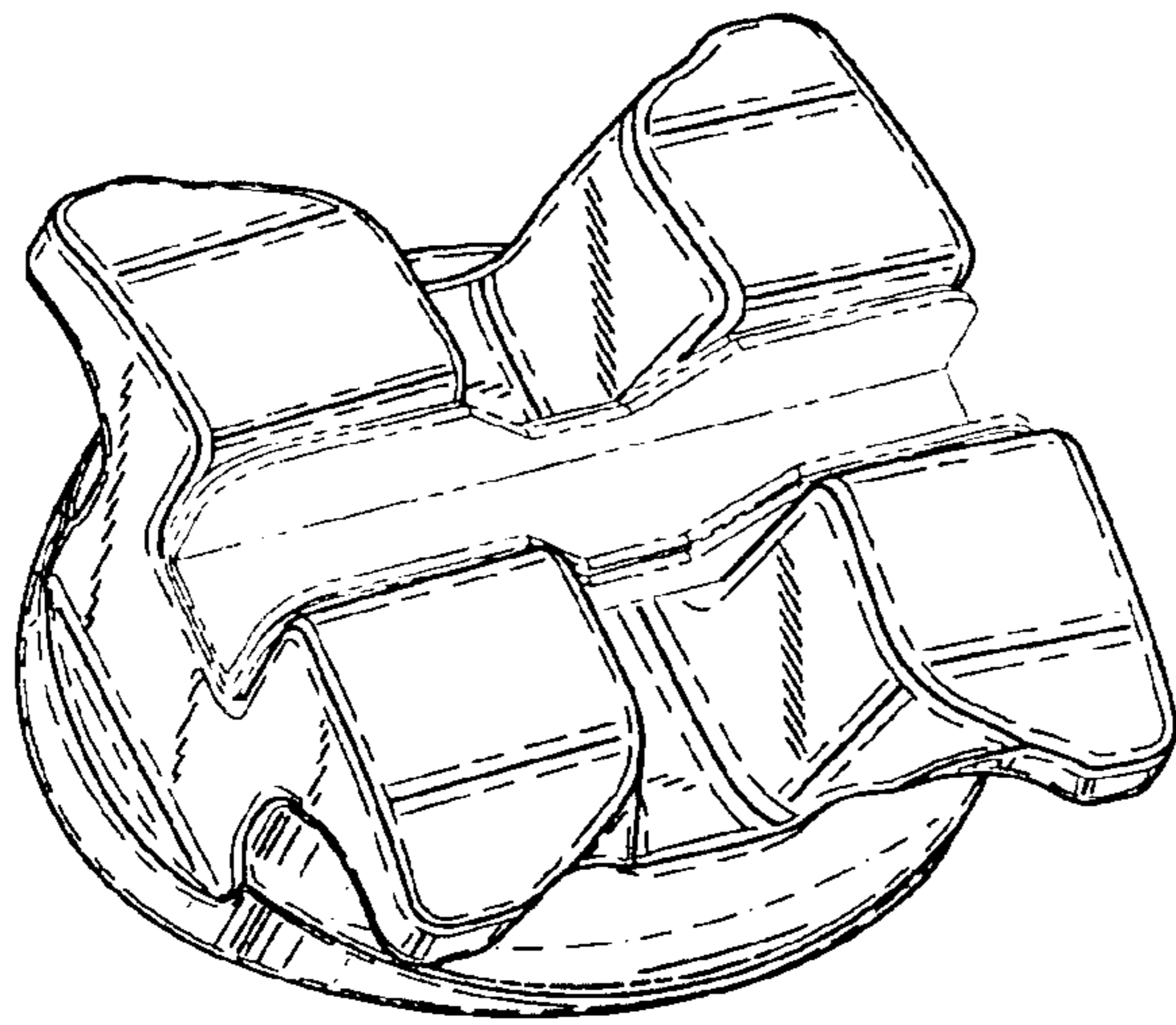
The broken line drawing of an archwire slot liner is for illustrative purposes only and forms no part of the claimed design.

**1 Claim, 4 Drawing Sheets**

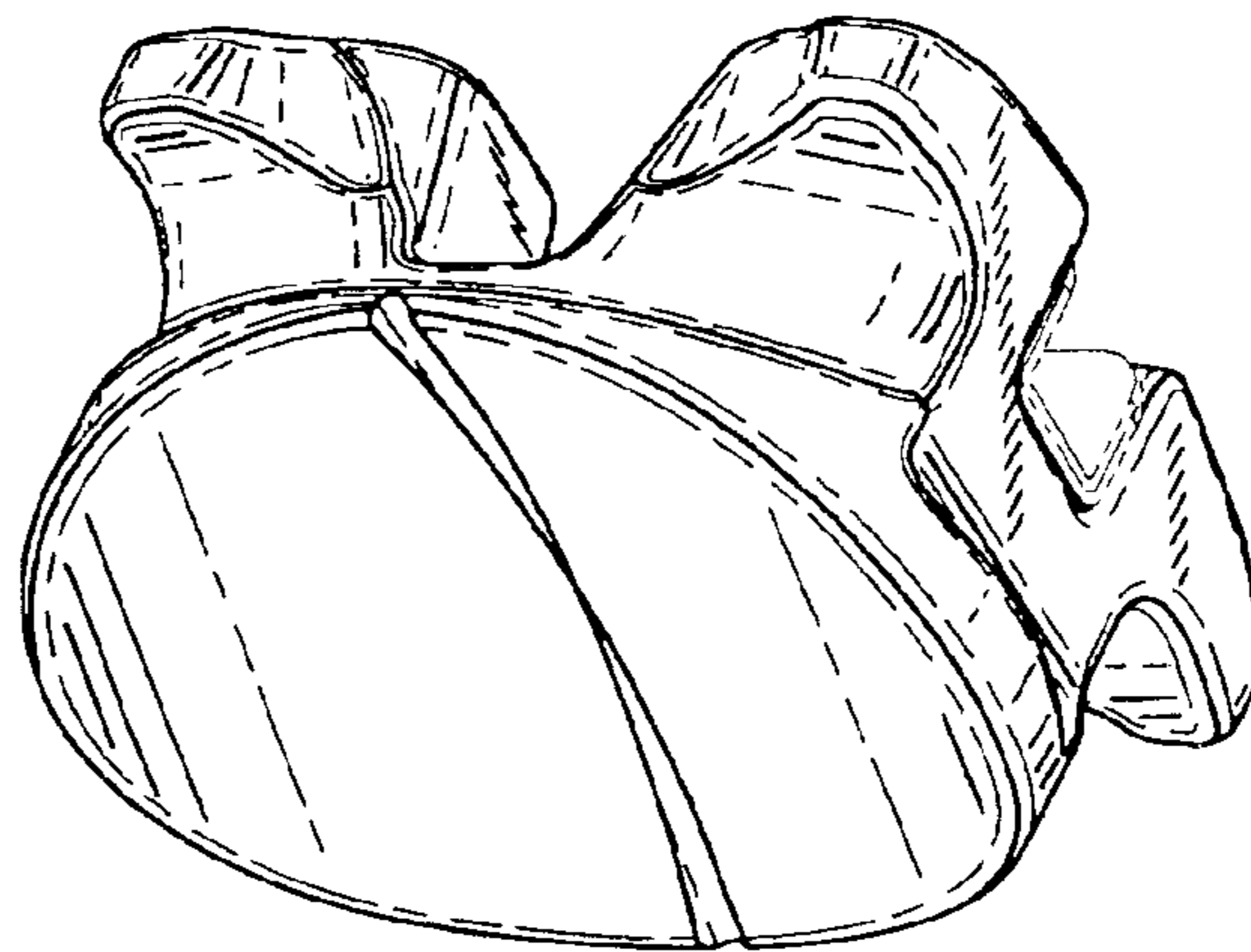
(56) **References Cited**  
U.S. PATENT DOCUMENTS

2,368,851 A	2/1945	Laskin	
3,578,744 A	5/1971	Wildman	
3,765,091 A	10/1973	Northcutt	
3,922,787 A	12/1975	Fischer et al.	
RE28,889 E	7/1976	Wildman	
3,969,821 A	7/1976	Lee, Jr. et al.	
4,107,844 A	8/1978	Kurz	
4,219,617 A	8/1980	Wallshein	
4,531,911 A	7/1985	Creekmore	
D289,329 S	* 4/1987	Evans	..... D24/180
D290,040 S	5/1987	Kelly	
4,820,151 A	4/1989	Pospisil	
D303,708 S	* 9/1989	Pospisil	..... D24/180
D304,077 S	10/1989	Pospisil	
4,878,840 A	11/1989	Reynolds	
4,936,773 A	6/1990	Kawaguchi	
D315,957 S	4/1991	Kelly et al.	
D322,482 S	* 12/1991	Ianieri et al.	..... D24/180
5,095,602 A	3/1992	Reher et al.	
D331,975 S	12/1992	Pospisil	

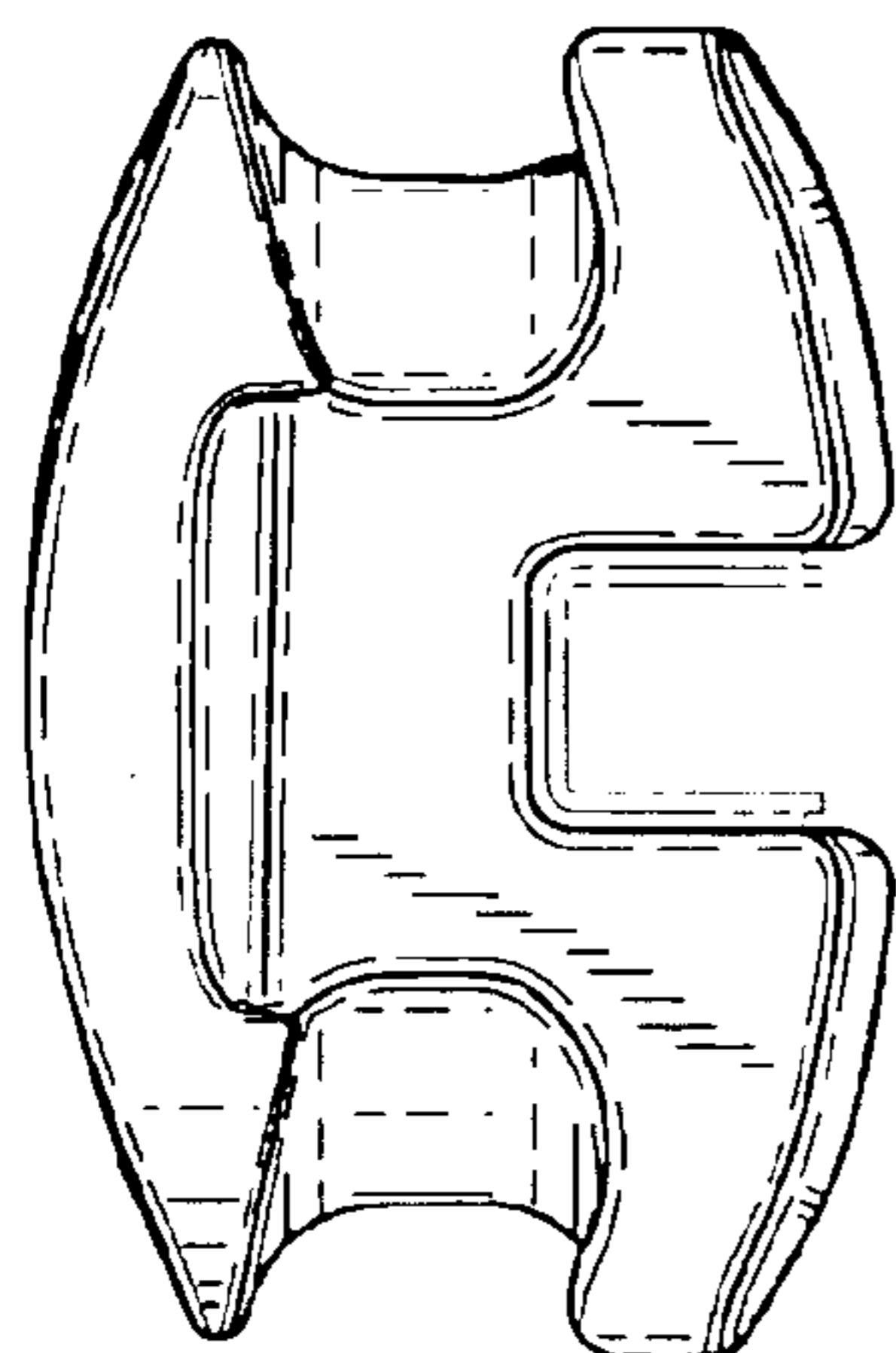




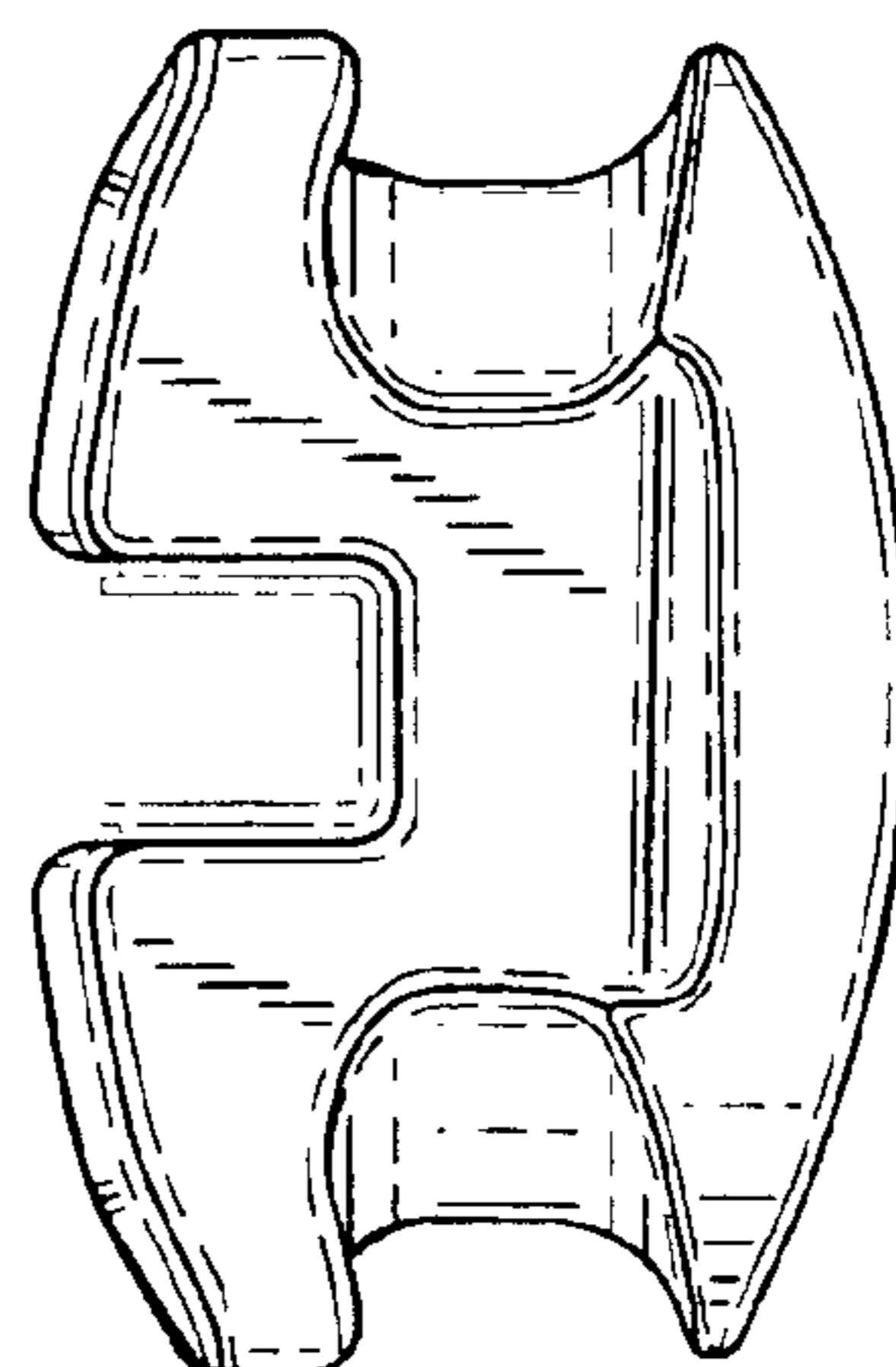
*FIG. 1*



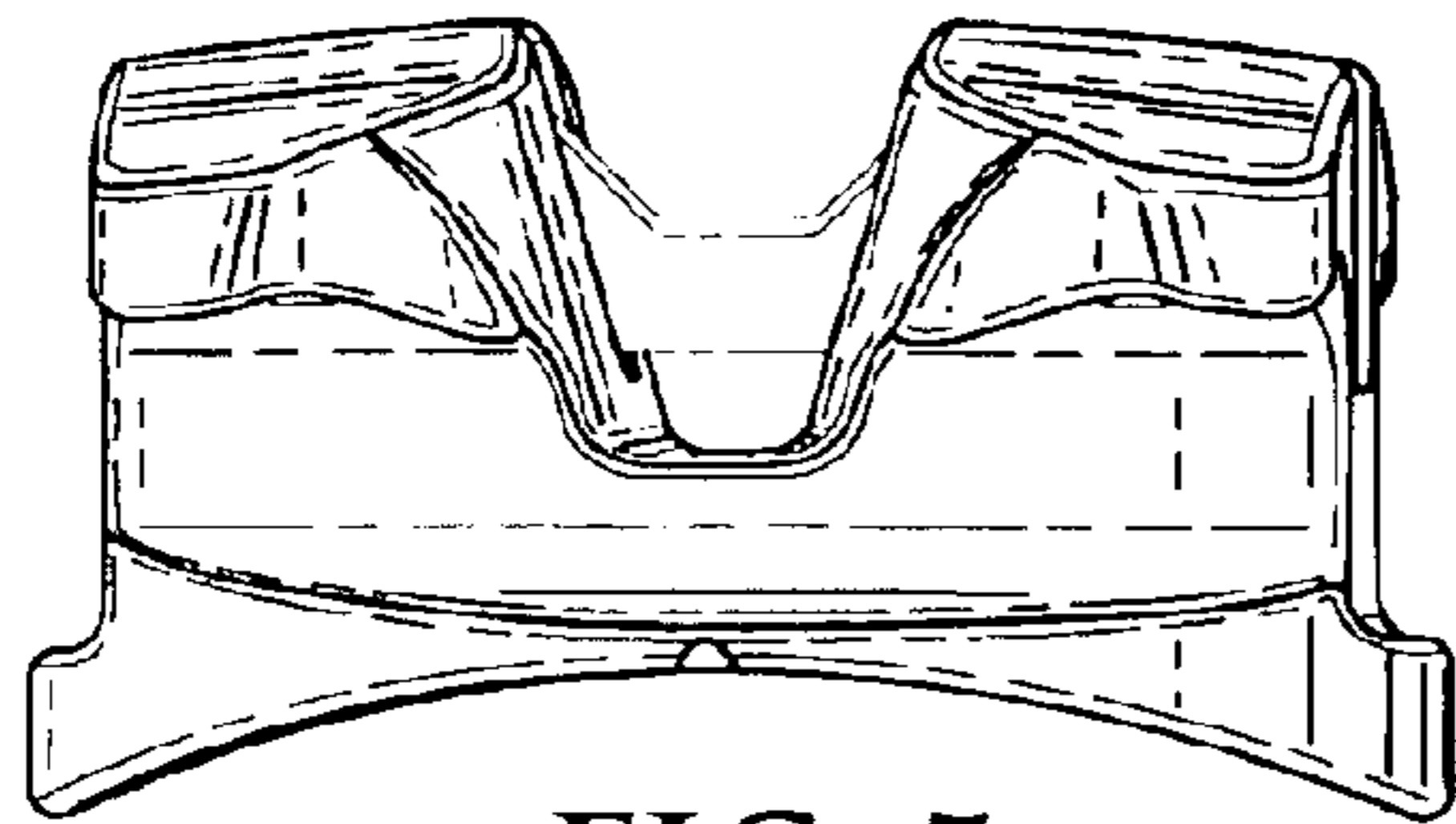
*FIG. 2*



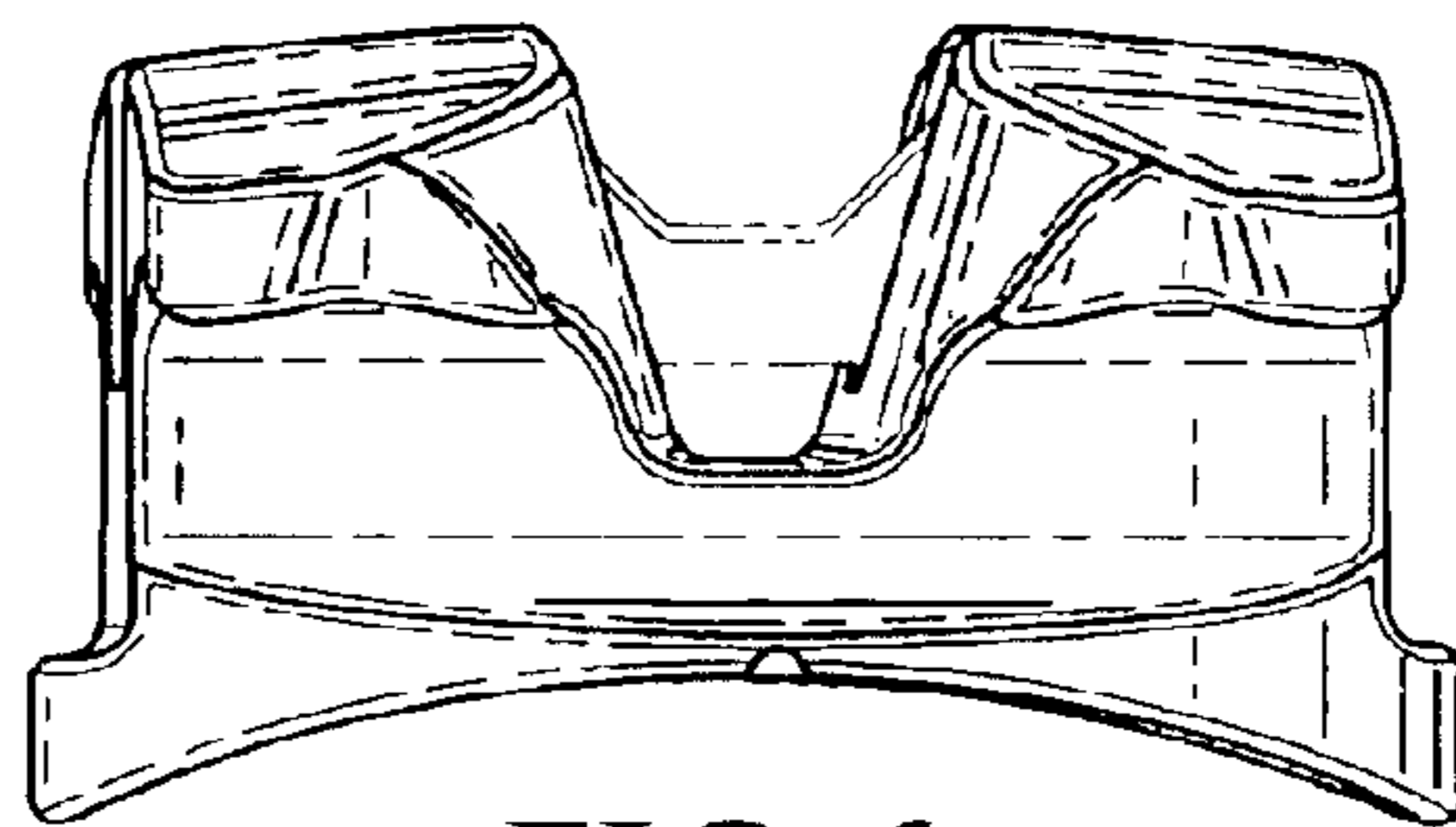
*FIG. 3*



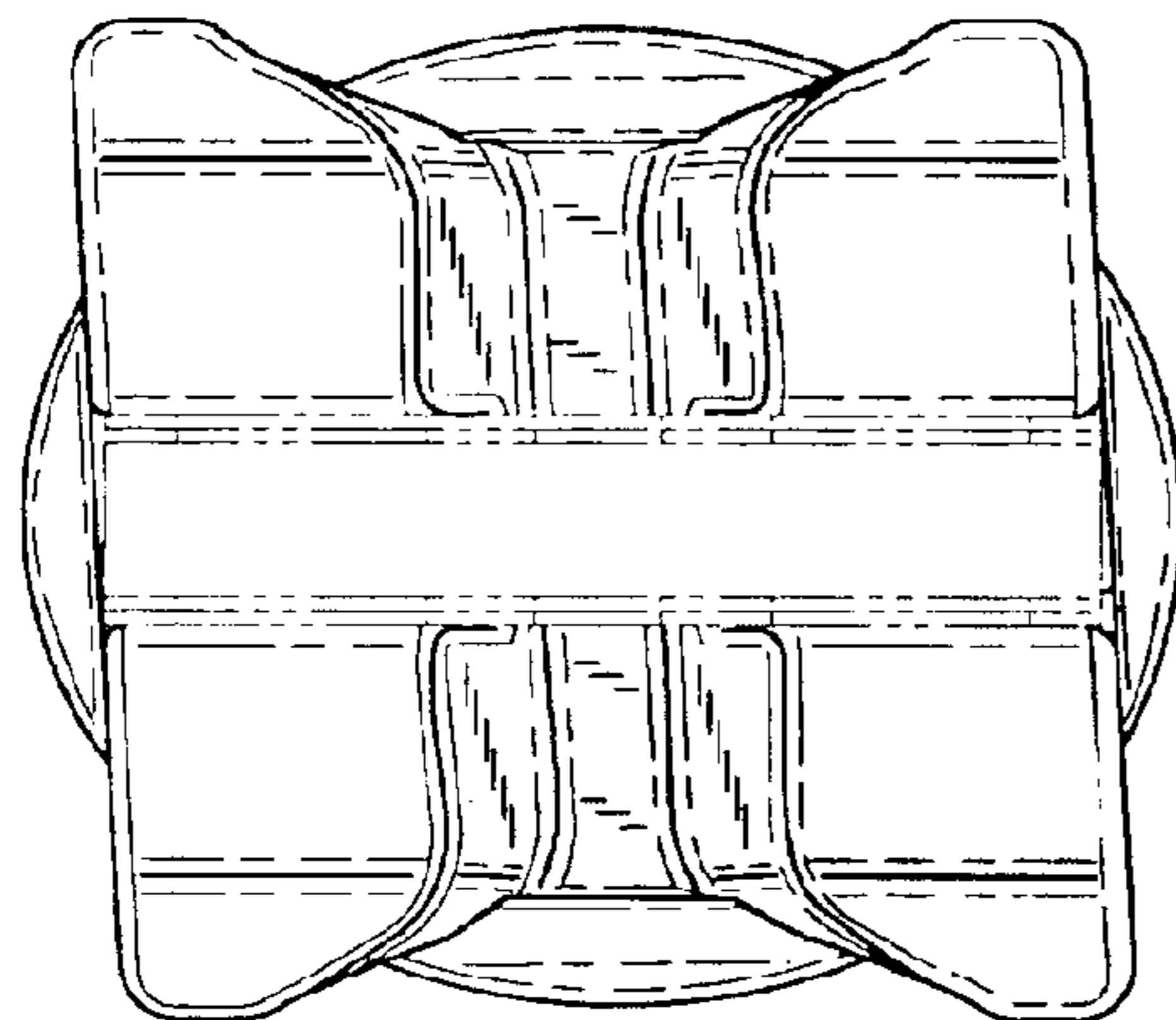
*FIG. 4*



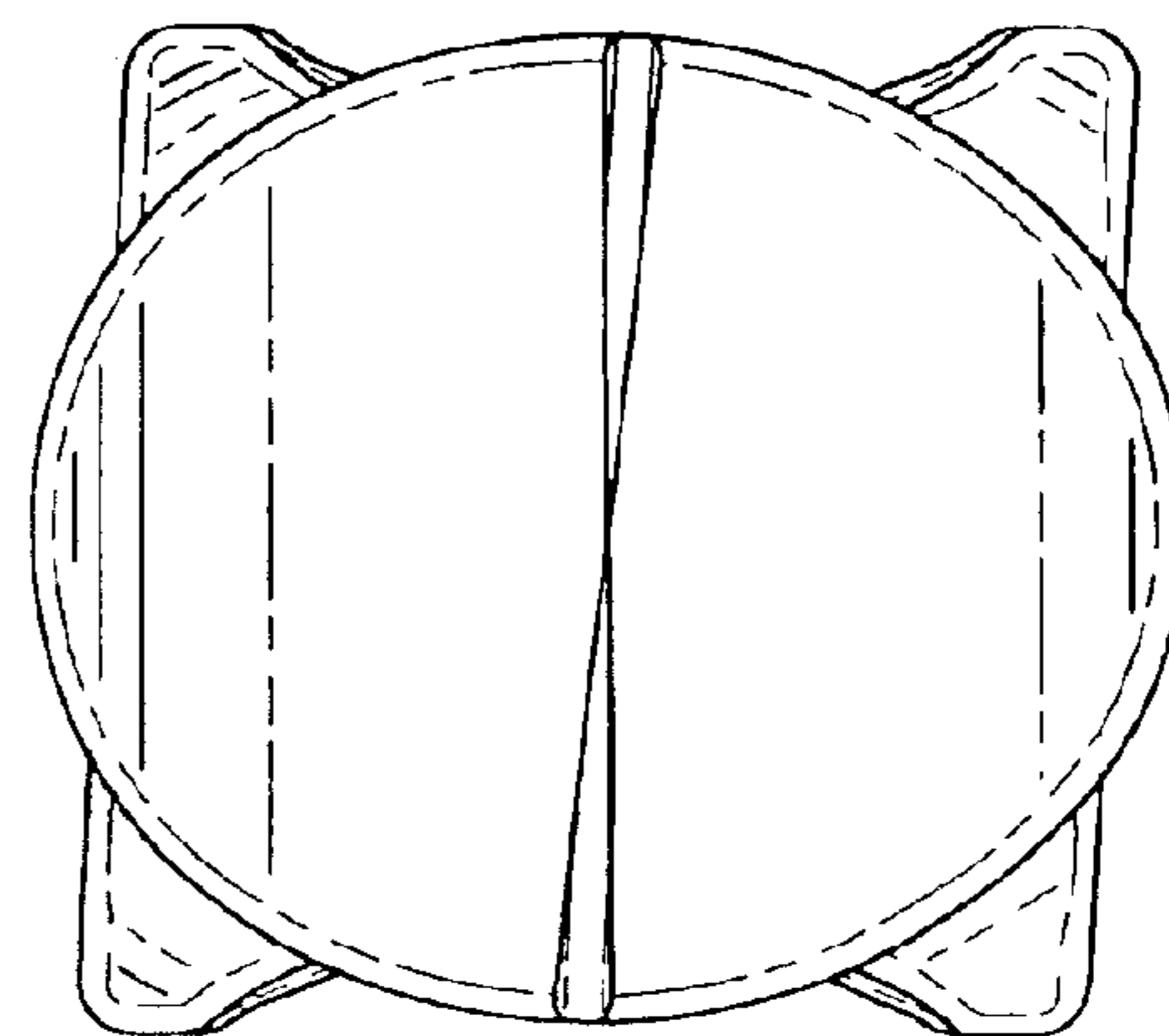
*FIG. 5*



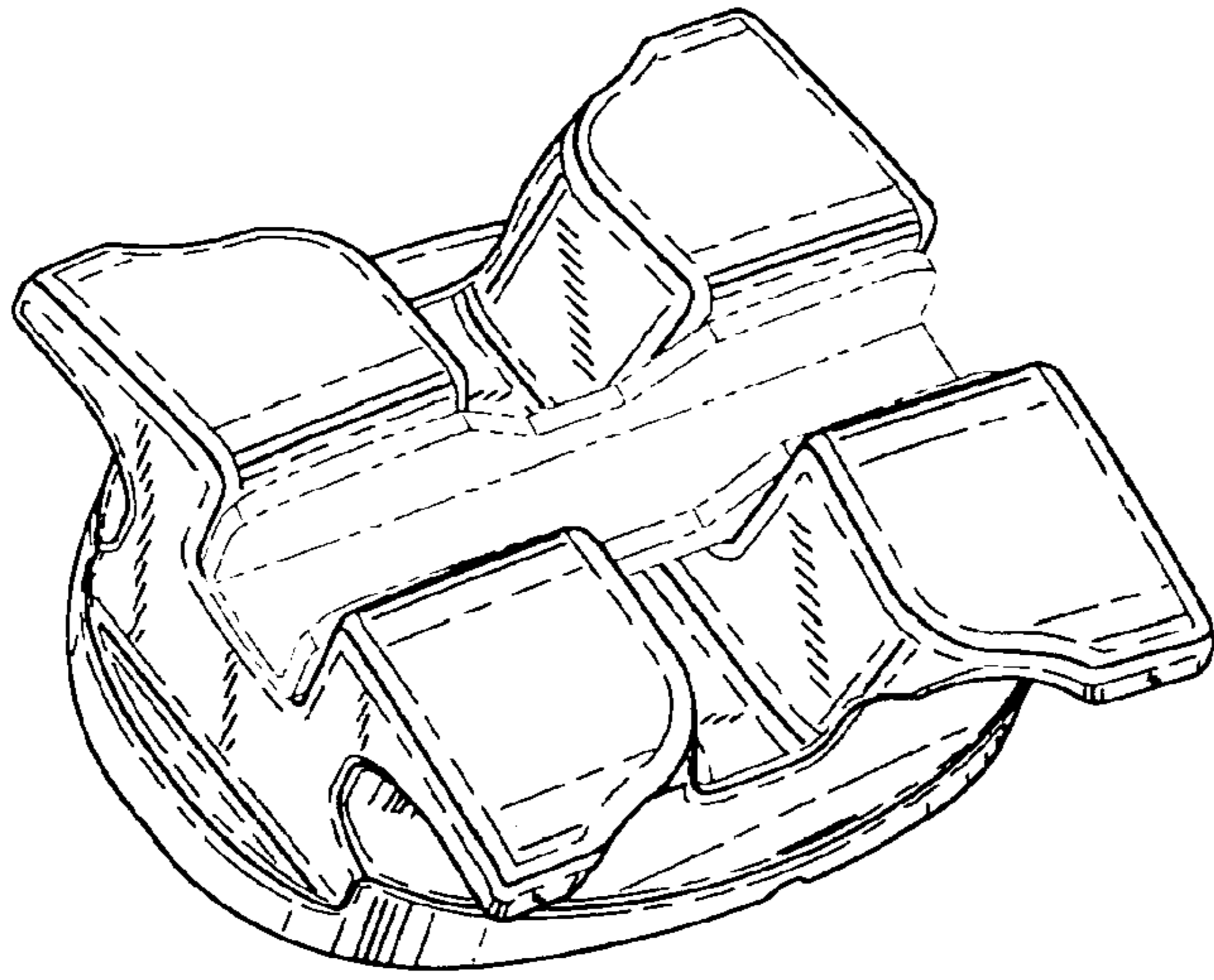
*FIG. 6*



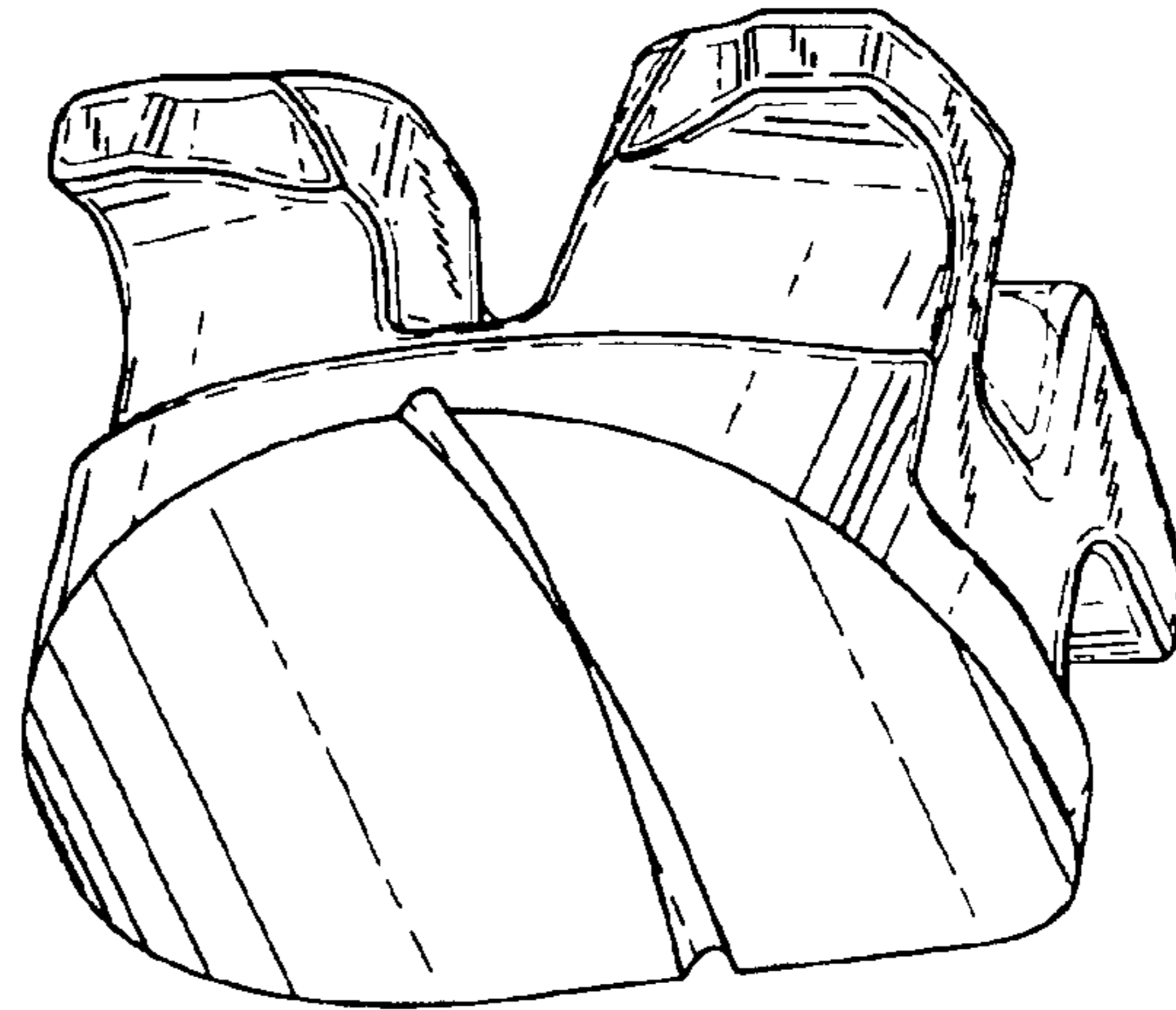
*FIG. 7*



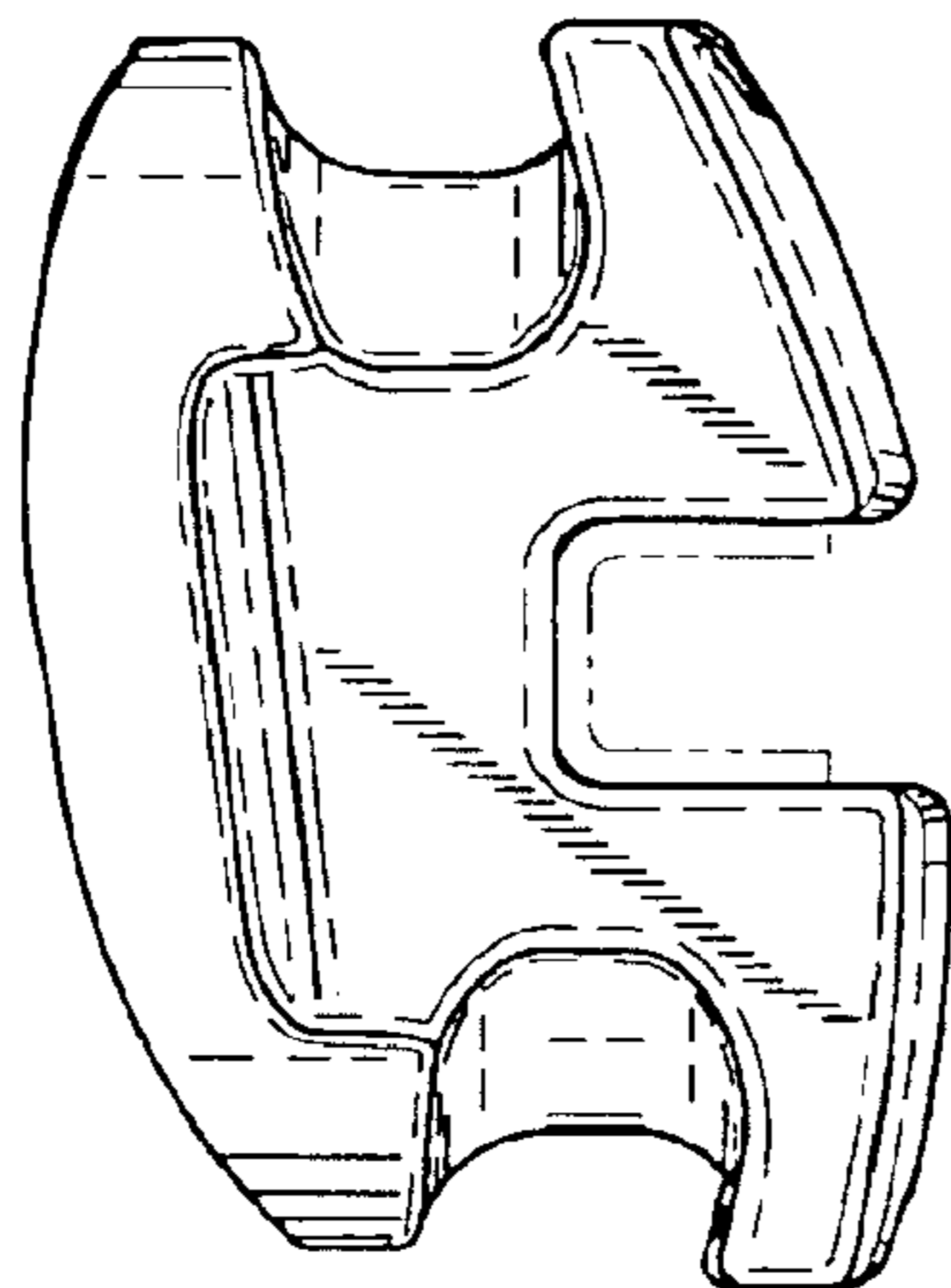
*FIG. 8*



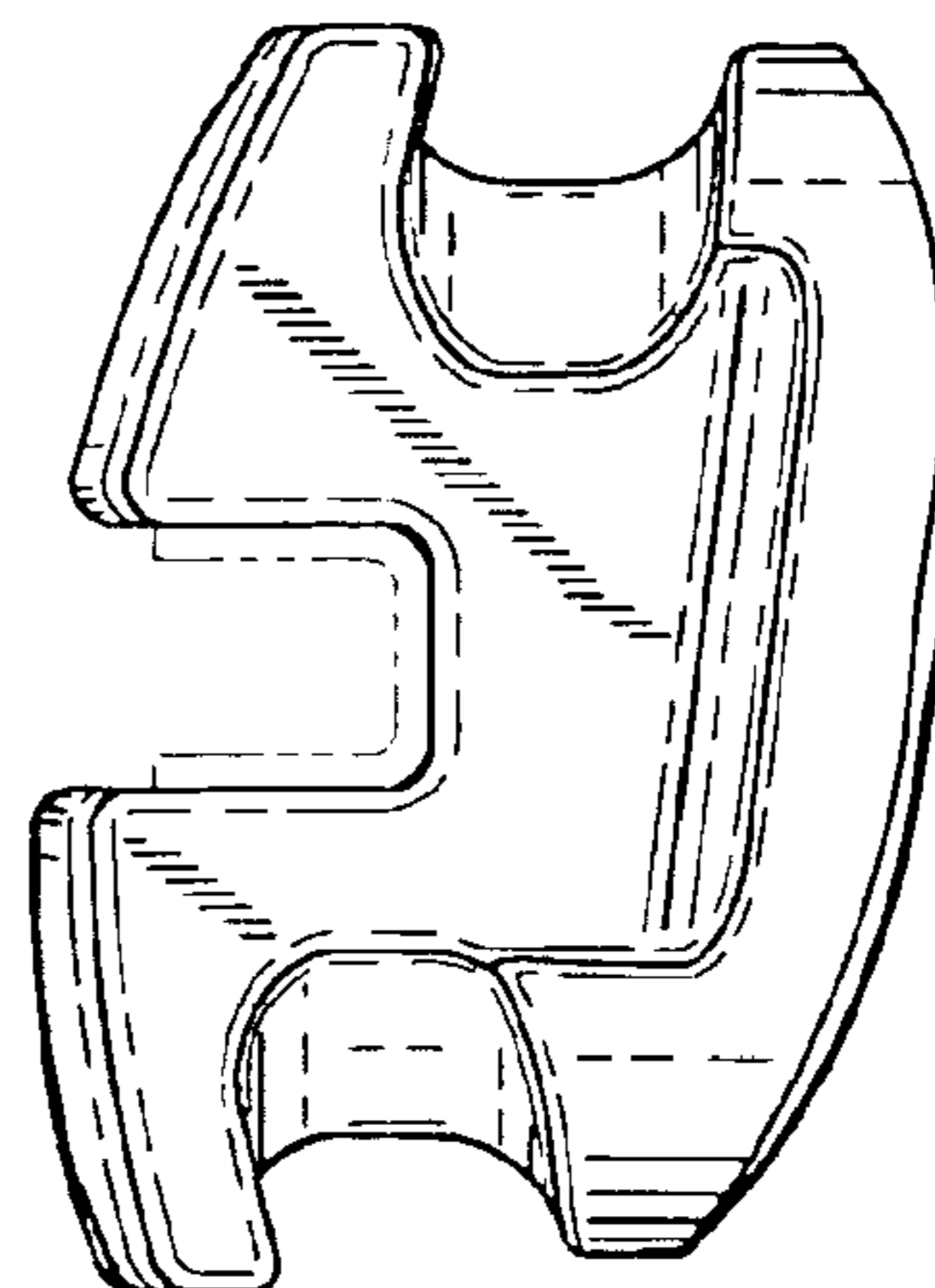
**FIG. 9**



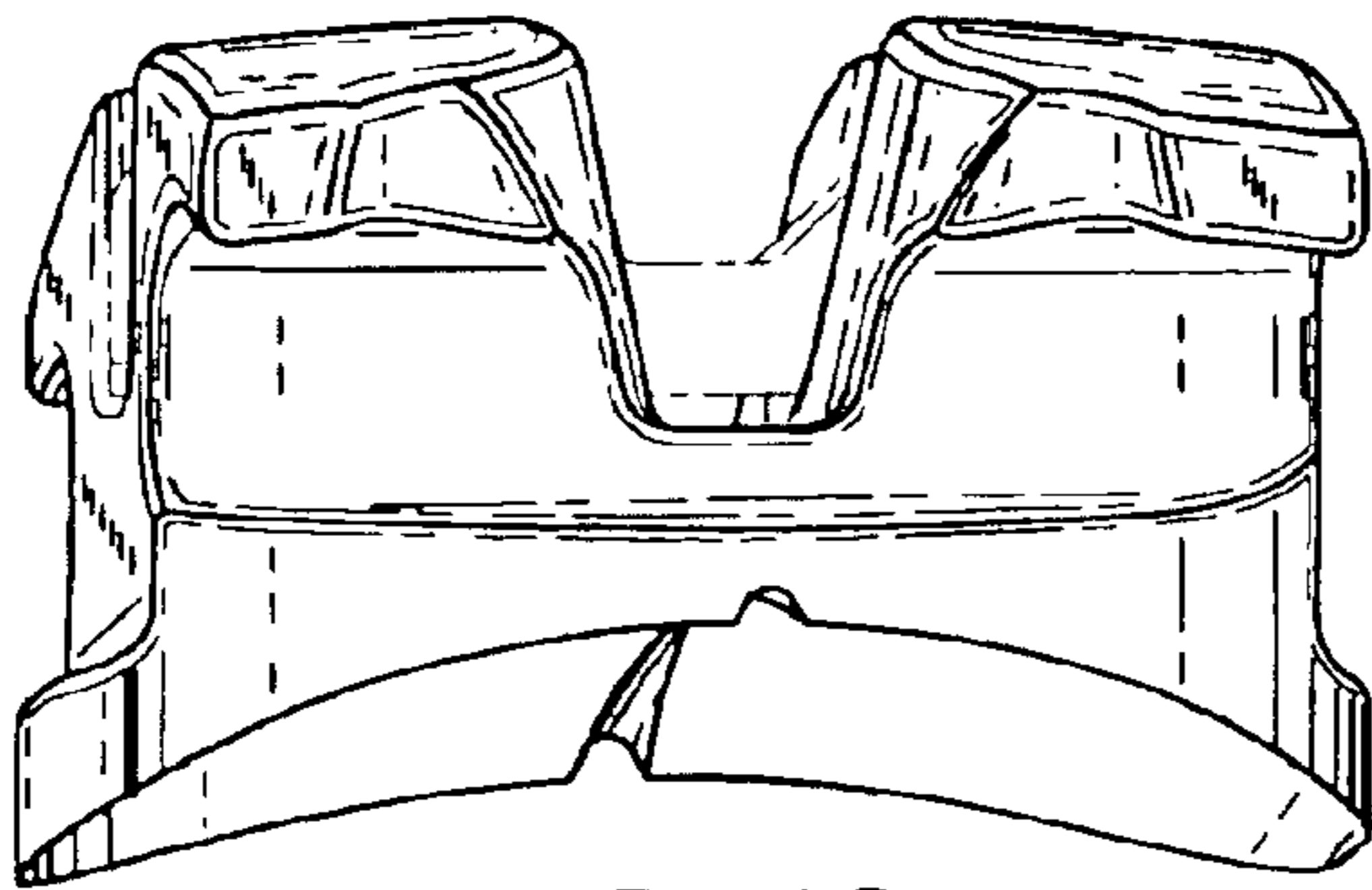
**FIG. 10**



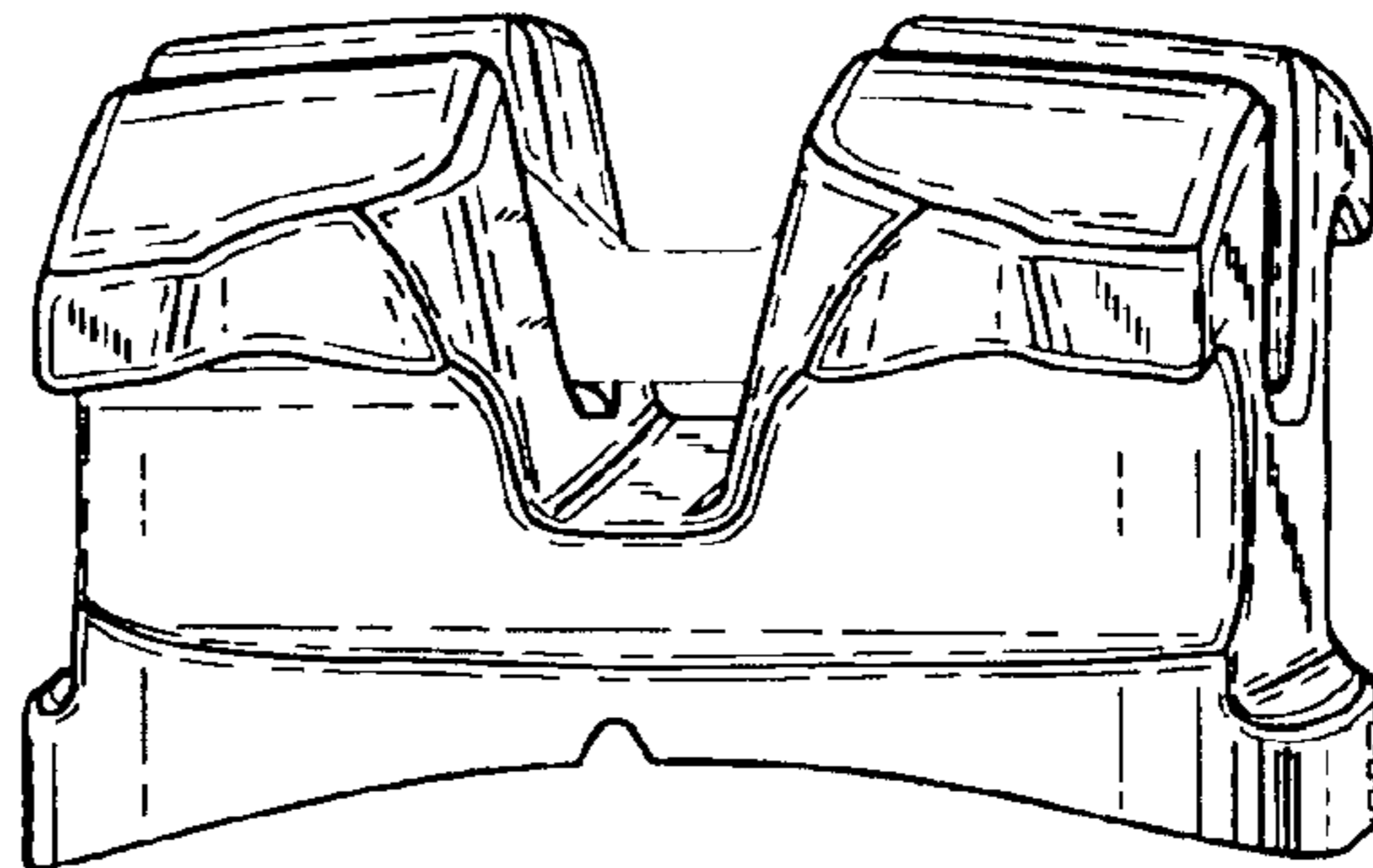
**FIG. 11**



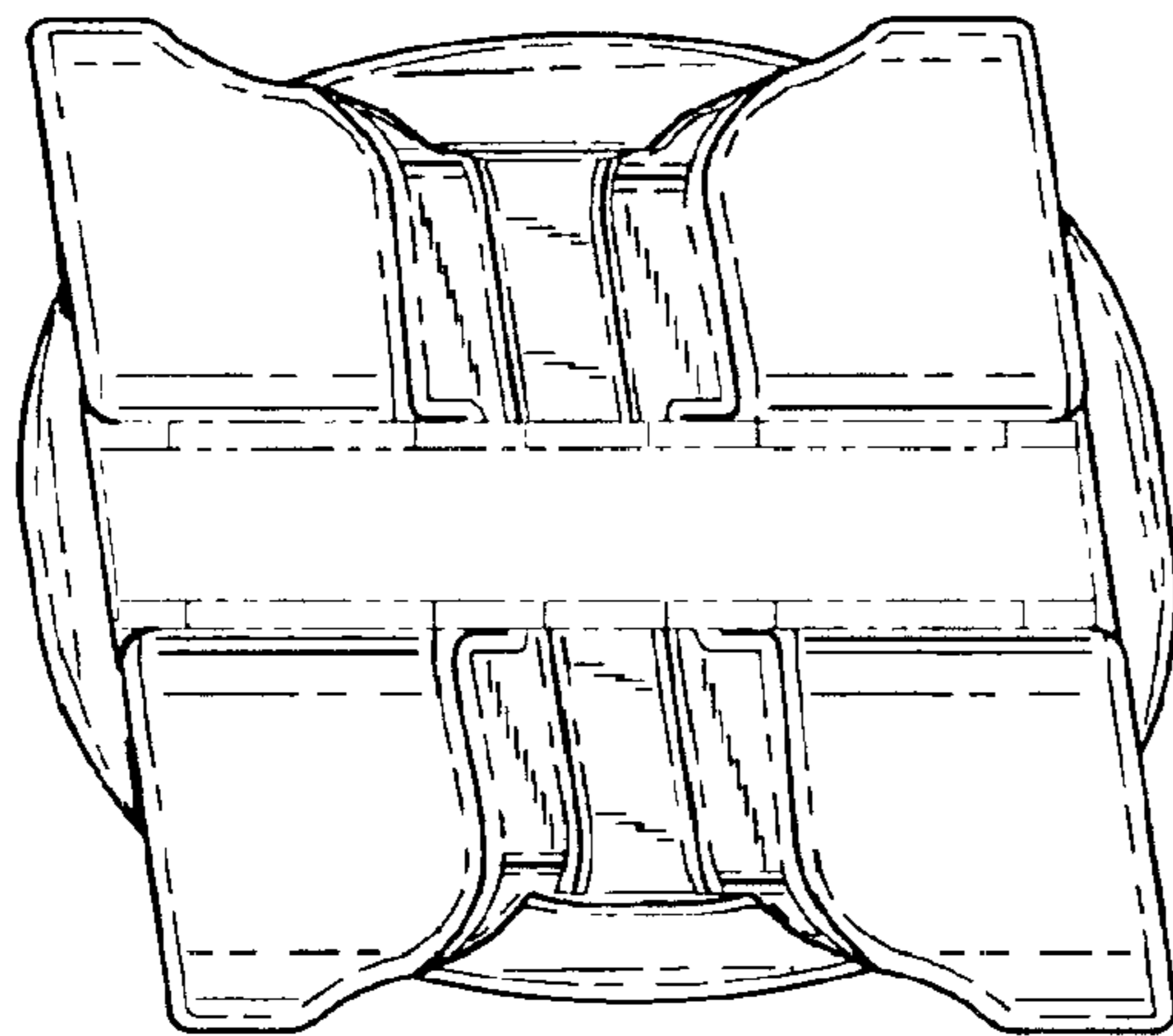
**FIG. 12**



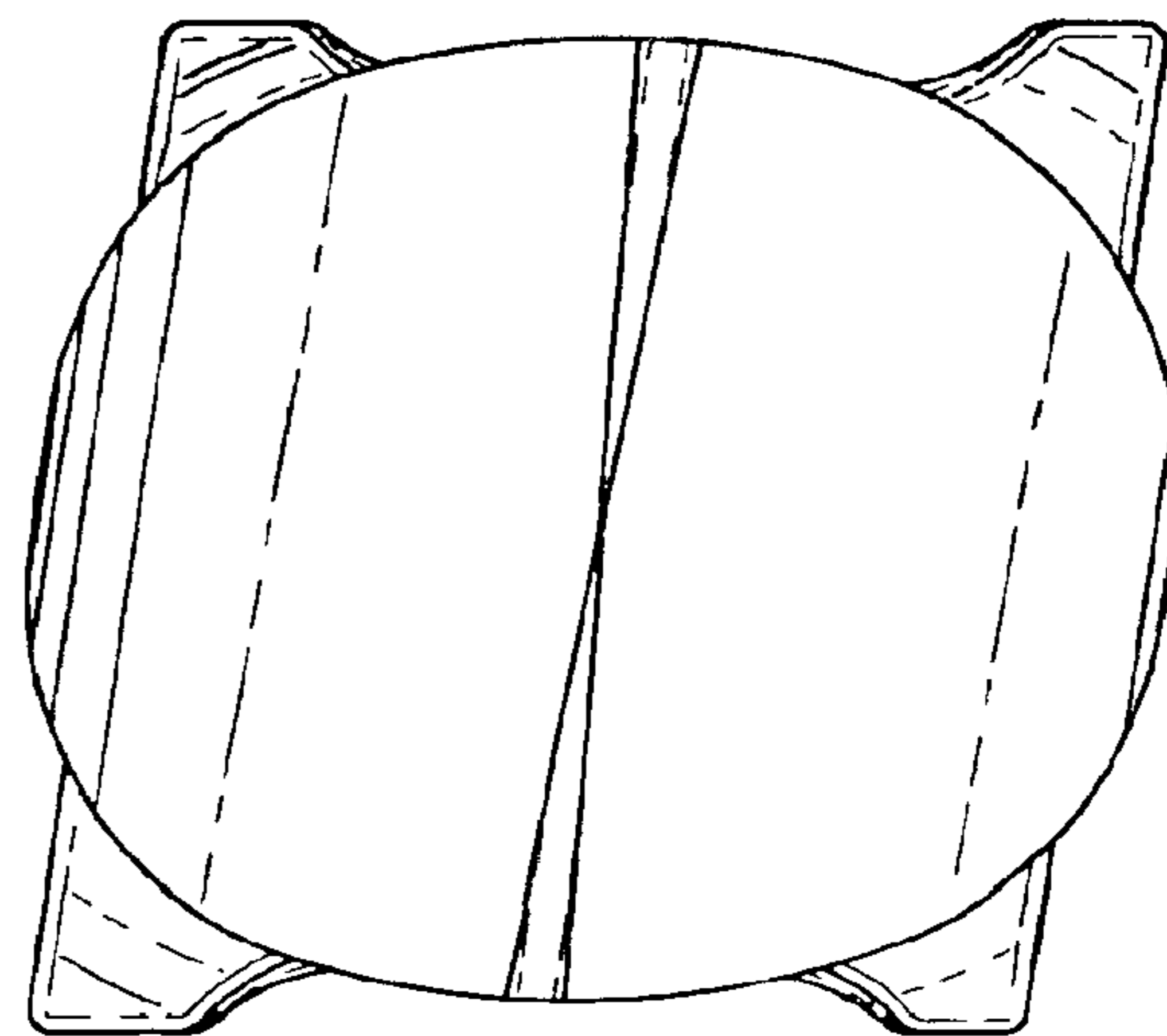
*FIG. 13*



*FIG. 14*



*FIG. 15*



*FIG. 16*