



US00D504947S

(12) **United States Design Patent** (10) **Patent No.:** **US D504,947 S**
McAuley et al. (45) **Date of Patent:** **** May 10, 2005**

(54) **MOUTHPIECE**

(75) Inventors: **Alastair Edwin McAuley**, Auckland (NZ); **Adam Alexander Tebbutt**, Auckland (NZ); **Blair Albert Neal**, Christchurch (NZ)

(73) Assignee: **Fisher & Paykel Healthcare Limited**, Auckland (NZ)

(**) Term: **14 Years**

(21) Appl. No.: **29/189,627**

(22) Filed: **Sep. 8, 2003**

(51) **LOC (7) Cl.** **29-02**

(52) **U.S. Cl.** **D24/110.5; D24/110**

(58) **Field of Search** **D24/110.5, 110, D24/110.6; 128/859, 206.28, 207.11, 207.13, 202.27, 206.24, 201.23, 207.18, 201.26**

(56) **References Cited**

U.S. PATENT DOCUMENTS

1,177,383	A	3/1916	Claren
1,592,345	A	7/1926	Drager
3,013,554	A	12/1961	Safer et al.
3,060,927	A	10/1962	Gattone
3,079,916	A	3/1963	Marsden
3,139,088	A	6/1964	Galleher
3,303,845	A	2/1967	Detmer

(Continued)

FOREIGN PATENT DOCUMENTS

AU	199943458	3/2000
AU	200048919	10/2000
DE	3543931	6/1987
DE	4445652	6/1996
EP	0818213	1/1998
EP	0845277	6/1998
EP	0979662	2/2000
EP	1075848	2/2001

JP	2000051357	2/2000
JP	2001079091	3/2001
WO	WO9003199	4/1990
WO	WO9100075	1/1991
WO	WO9603173	8/1996

OTHER PUBLICATIONS

SDDS Report, A Quarterly Publication of the Sleep Disorders Dental Society, Oral Positive Airway Pressure by the OPAP Dental Appliance Reduces Mild to Severe Obstructive Sleep Apnea, Jun. 1998, pp. 1 and 4.

Journal of the Dental association of South Africa, Clinical trial of an oral vestibular shield for the control of snoring, Jan. 1993, pp. 15, 16 and 17.

One sheet of pictures of prior art Mouthpiece.

One sheet of pictures of prior art Mouthpiece.

One sheet of pictures of prior art Mouthpiece.

One sheet of pictures of prior art Mouthpiece.

One sheet of pictures of prior art Mouthpiece.

Primary Examiner—Ian Simmons

(74) *Attorney, Agent, or Firm*—Trexler, Bushnell, Giangiorgi, Blackstone & Marr, Ltd.

(57) **CLAIM**

The ornamental design for a mouthpiece, as shown and described.

DESCRIPTION

FIG. 1 is an exploded top plan view of the mouthpiece showing our new design, the bottom plan view being identical to the top plan view.

FIG. 2 is a front view of the mouthpiece shown in FIG. 1.

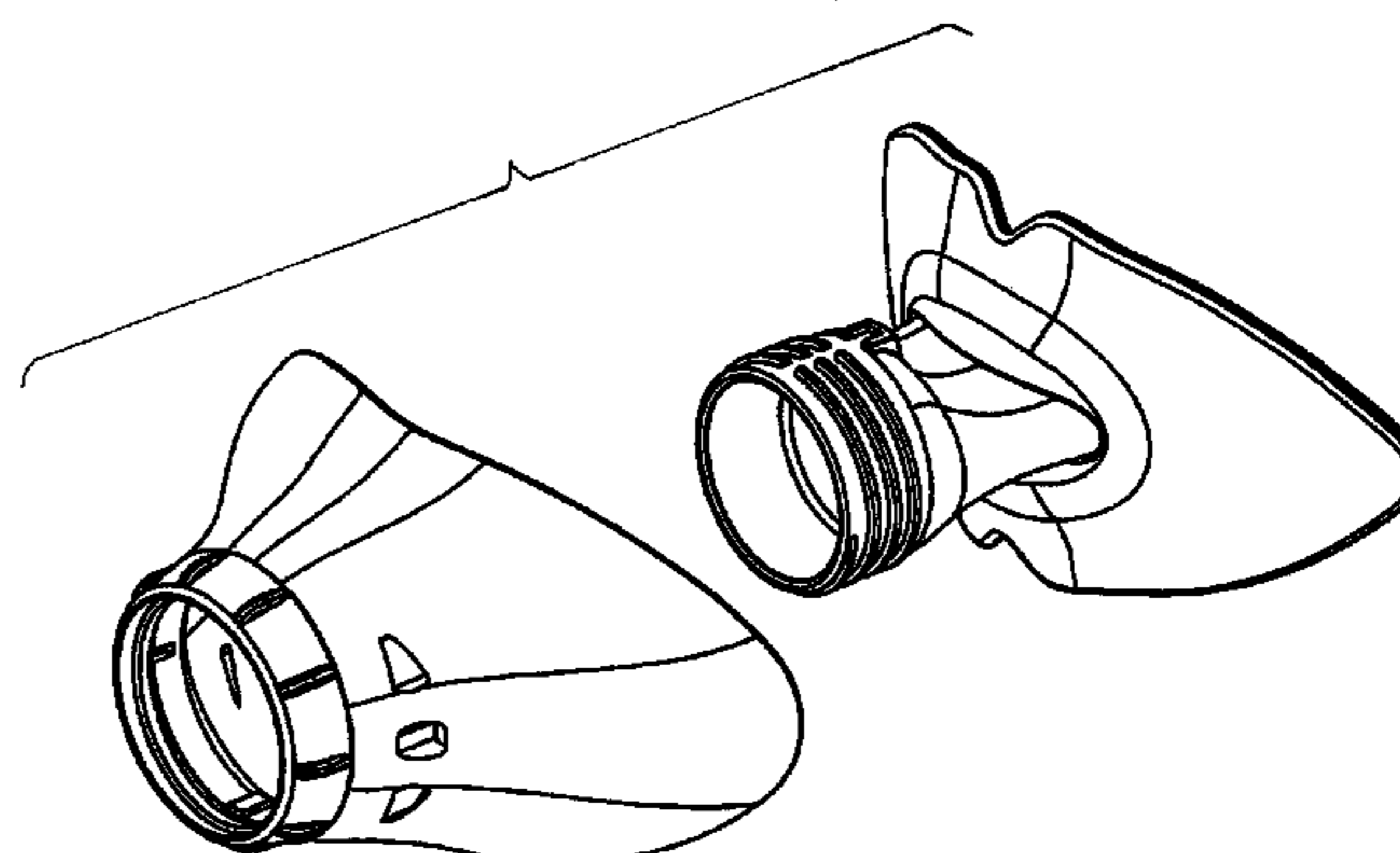
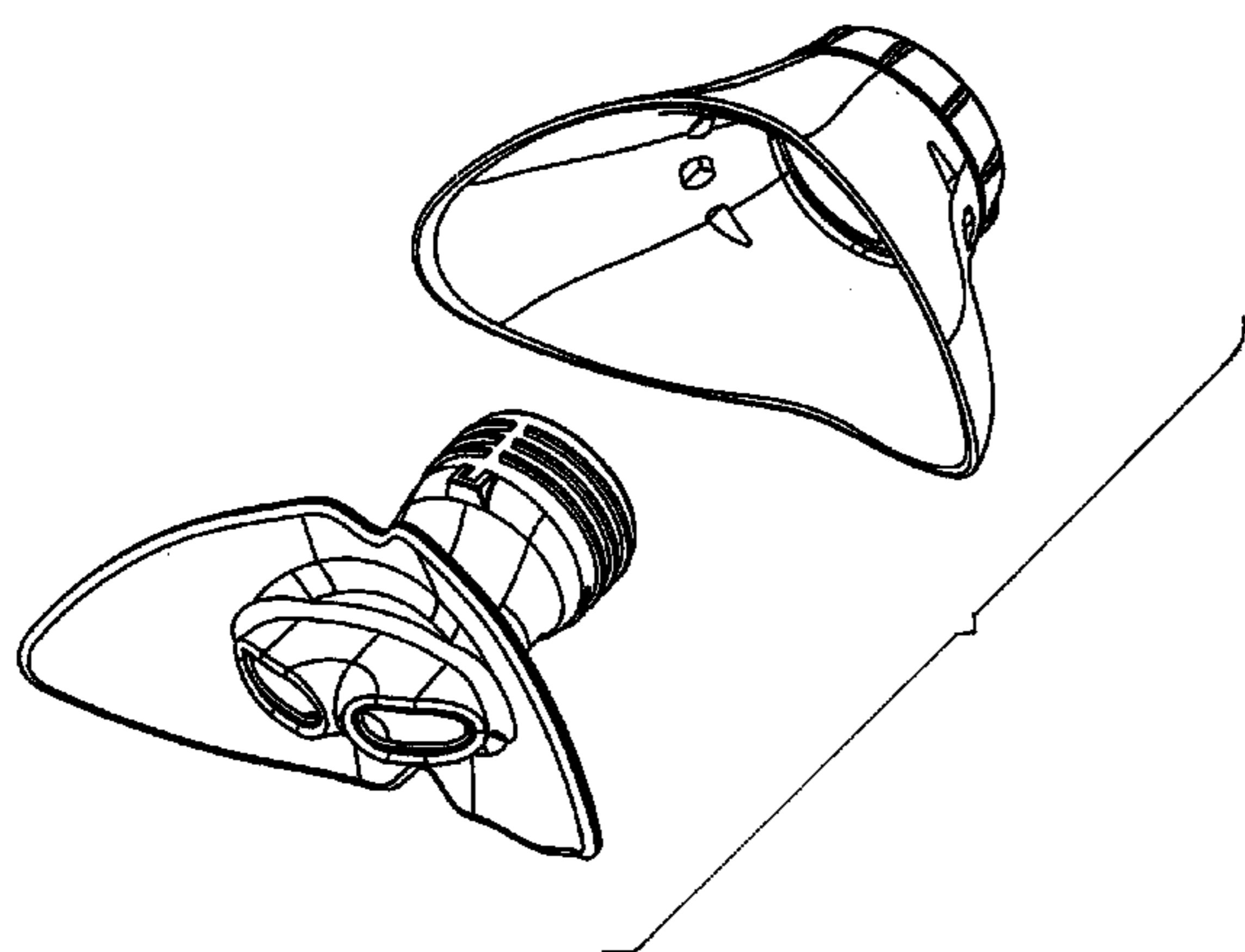
FIG. 3 is a rear view of the mouthpiece shown in FIG. 1.

FIG. 4 is a left side view of the mouthpiece shown in FIG. 1 the opposite side view being a mirror image thereto.

FIG. 5 is a lower rear perspective view of the mouthpiece shown in FIG. 1; and,

FIG. 6 is an upper front perspective view of the mouthpiece shown in FIG. 1.

1 Claim, 6 Drawing Sheets



US D504,947 S

Page 2

U.S. PATENT DOCUMENTS

3,670,726	A	6/1972	Mahon et al.		5,626,128	A	5/1997	Bradley et al.
3,682,164	A	8/1972	Miller		5,638,811	A	6/1997	David
D237,219	S	* 10/1975	Kattwinkel	D24/110.5	5,666,974	A	9/1997	Hiro et al.
3,963,856	A	6/1976	Carlson et al.		5,682,878	A	11/1997	Ogden
4,068,657	A	1/1978	Kobzan		5,682,904	A	11/1997	Stinnett
4,169,473	A	10/1979	Samelson		5,706,251	A	1/1998	May
4,170,230	A	10/1979	Nelson		5,720,656	A	2/1998	Savage
4,222,378	A	9/1980	Mahoney		5,752,510	A	5/1998	Goldstein
4,230,106	A	10/1980	Geeslin et al.		5,792,067	A	8/1998	Karell
4,233,972	A	11/1980	Hauff et al.		5,797,627	A	8/1998	Salter et al.
4,270,531	A	6/1981	Blachly et al.		5,814,074	A	9/1998	Branam
4,304,227	A	12/1981	Samelson		D399,950	S	10/1998	Shepard
D263,166	S	2/1982	Bushman		5,865,170	A	2/1999	Moles
4,331,141	A	5/1982	Pokhis		5,868,130	A	2/1999	Stier
4,360,017	A	11/1982	Barlett		5,884,625	A	3/1999	Hart
4,495,945	A	1/1985	Liegner		5,906,199	A	5/1999	Budzinski
D295,797	S	5/1988	Bono et al.		5,921,241	A	7/1999	Belfer
D300,962	S	* 5/1989	Johnson	D24/110	5,947,116	A	9/1999	Gamow et al.
4,862,903	A	9/1989	Campbell		5,950,624	A	9/1999	Hart
4,881,540	A	11/1989	Vigilia		5,957,133	A	9/1999	Hart
5,031,611	A	7/1991	Moles		6,012,455	A	1/2000	Goldstein
5,062,422	A	11/1991	Kinkade		6,073,626	A	6/2000	Riffe
5,117,816	A	6/1992	Shapiro et al.		6,076,526	A	6/2000	Abdelmessih
5,174,284	A	12/1992	Jackson		6,079,410	A	6/2000	Winefordner et al.
5,195,513	A	3/1993	Sinko et al.		6,089,225	A	7/2000	Brown et al.
5,203,324	A	4/1993	Kinkade		6,123,071	A	9/2000	Berthon-Jones et al.
5,253,658	A	10/1993	King		6,148,818	A	11/2000	Pagan
5,265,591	A	11/1993	Ferguson		6,192,886	B1	2/2001	Rudolph
5,284,134	A	2/1994	Vaughn et al.		6,244,865	B1	6/2001	Nelson et al.
5,333,608	A	8/1994	Cummins		6,257,238	B1	7/2001	Meah
5,353,810	A	10/1994	Kittelsen et al.		6,263,877	B1	7/2001	Gall
5,389,024	A	2/1995	Chen		6,405,729	B1	6/2002	Thornton
5,438,978	A	8/1995	Hardester		6,427,696	B1	8/2002	Stockhausen
5,471,976	A	12/1995	Smith		6,446,628	B1	9/2002	Chen
5,492,114	A	2/1996	Vroman		6,494,209	B2	12/2002	Kulick
5,513,634	A	5/1996	Jackson		6,514,176	B1	2/2003	Norton
5,533,523	A	7/1996	Bass, Jr. et al.		6,536,424	B2	3/2003	Fitton
5,560,354	A	10/1996	Berthon-Jones et al.		6,536,428	B1	3/2003	Smith et al.
5,570,702	A	11/1996	Forman		D479,876	S	* 9/2003	Gradon et al. D24/110.5
5,579,284	A	11/1996	May		2002/0069872	A1	* 6/2002	Gradon et al. 128/201.26
5,590,643	A	1/1997	Flam		2003/0200970	A1	* 10/2003	Stenzler et al. 128/207.18
5,620,011	A	4/1997	Flowers		2003/0217746	A1	* 11/2003	Gradon et al. 128/201.26
5,624,257	A	4/1997	Farrell					

* cited by examiner

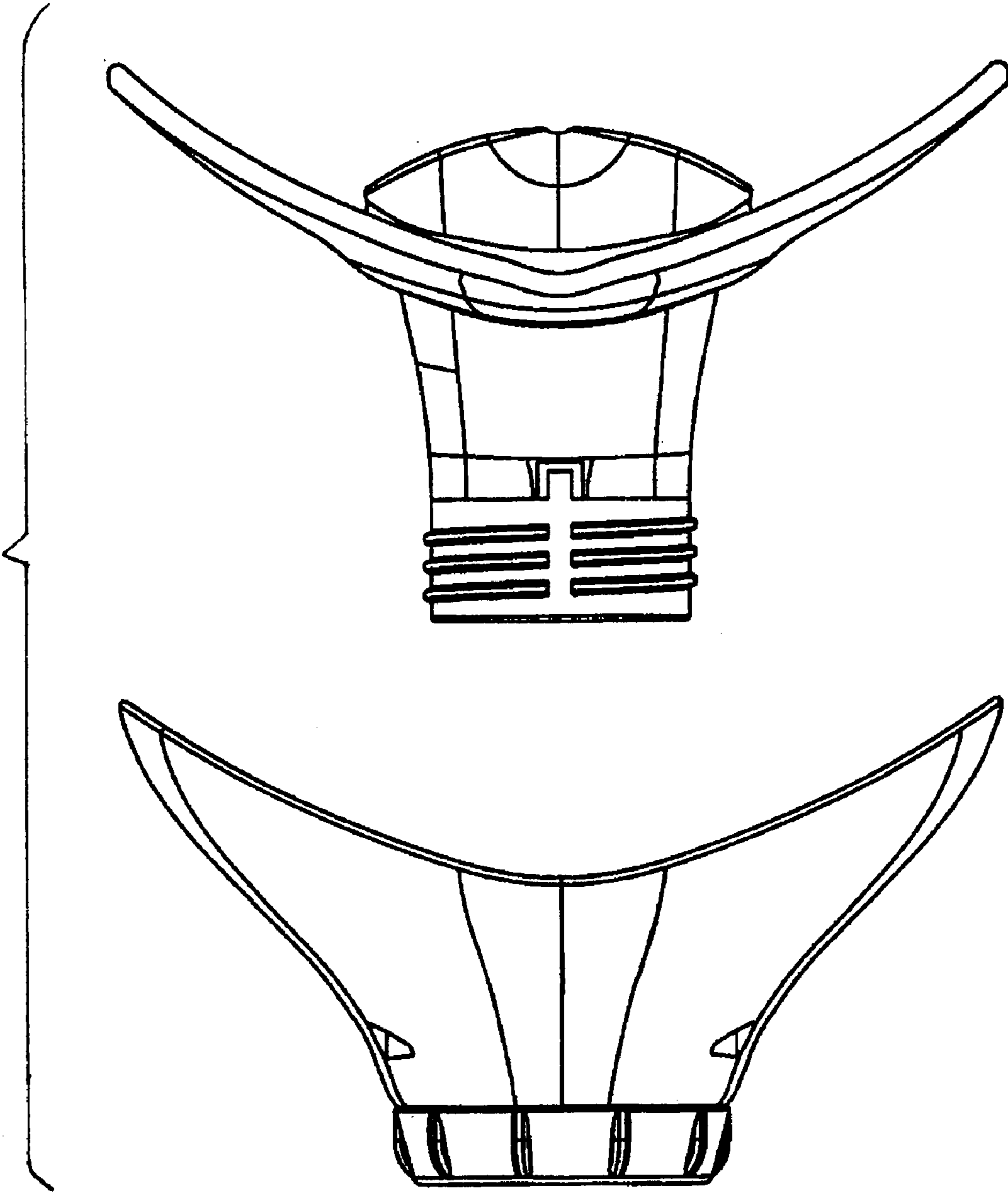


FIGURE 1

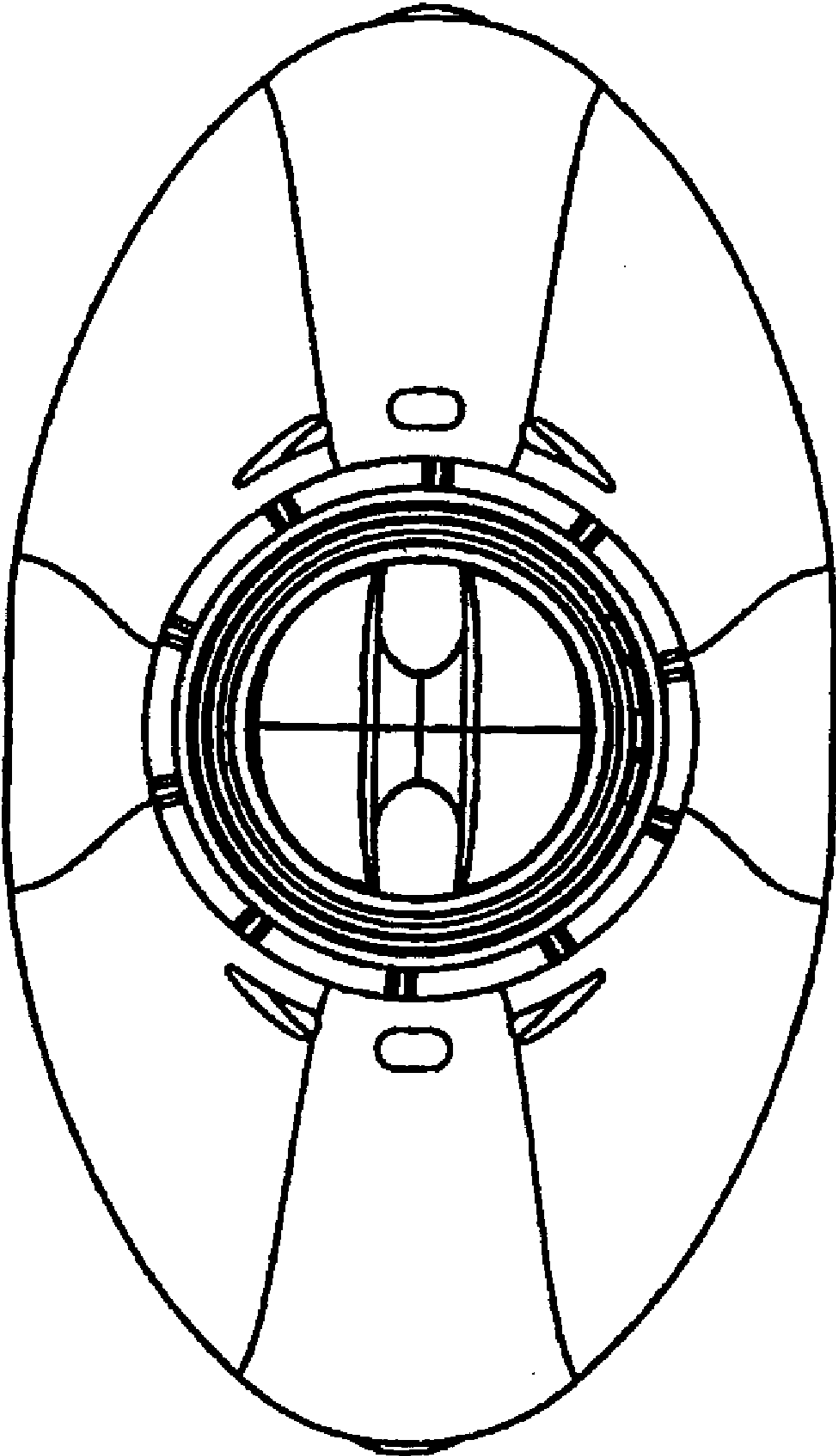


FIGURE 2

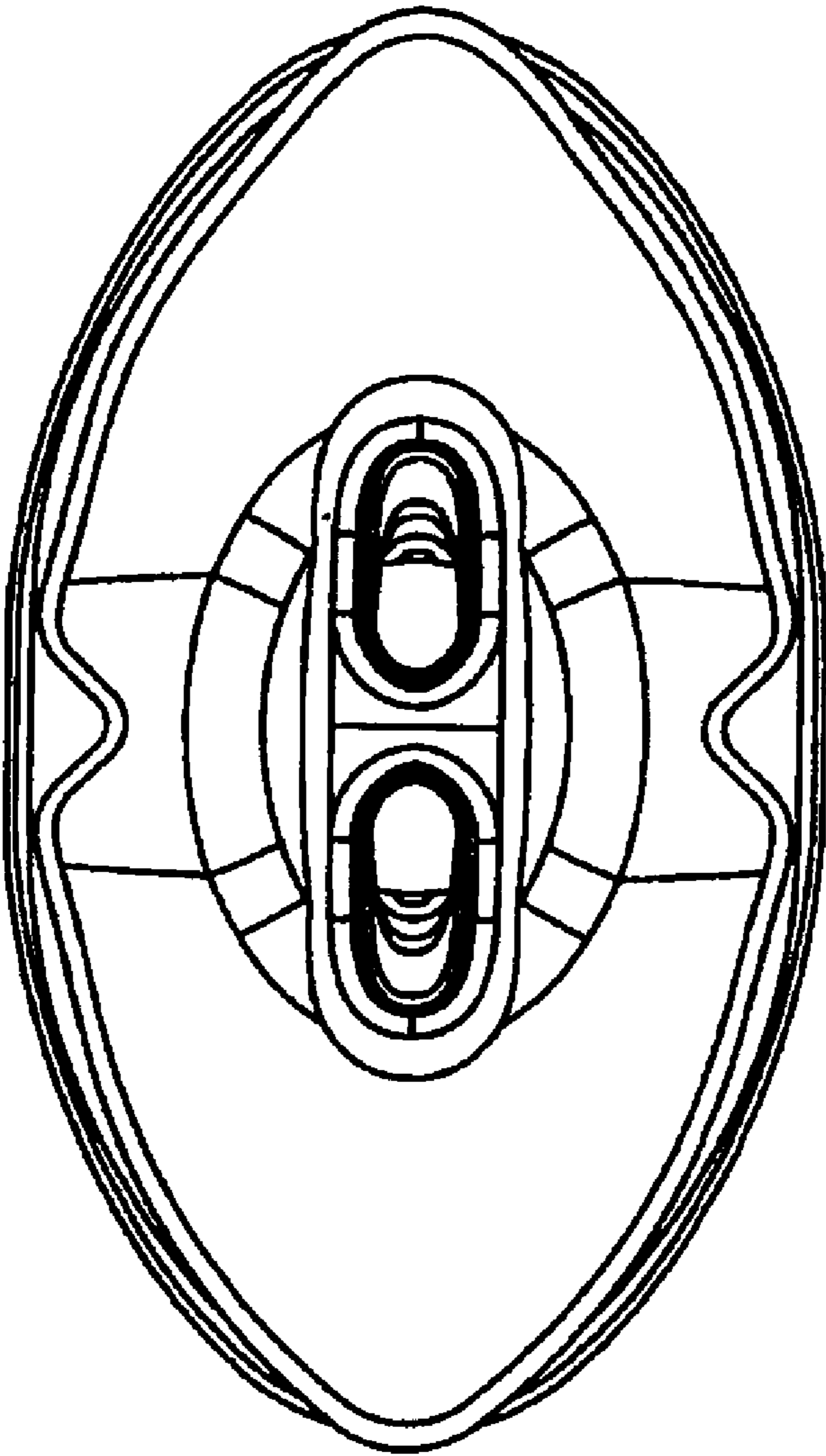


FIGURE 3

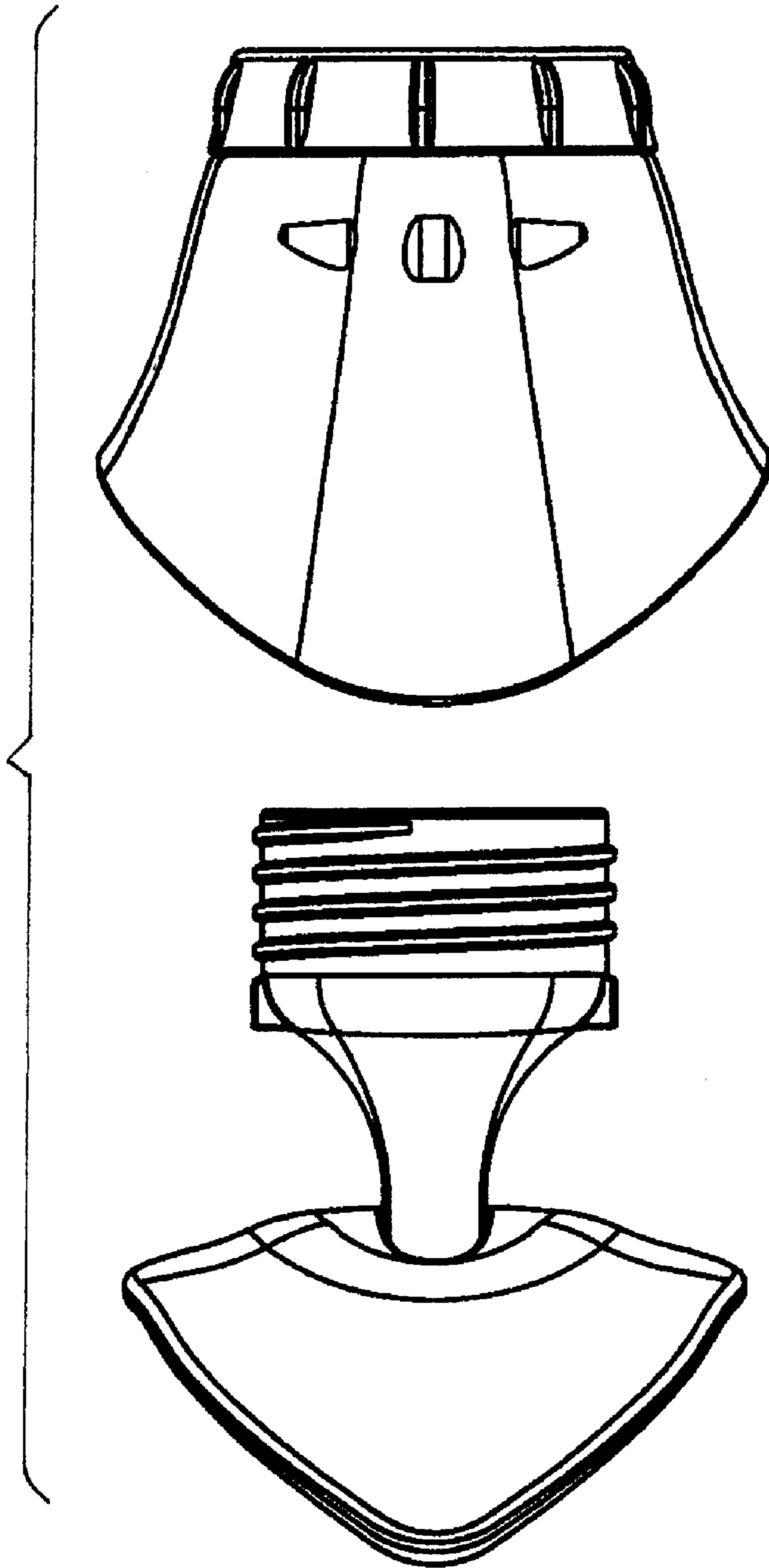


FIGURE 4

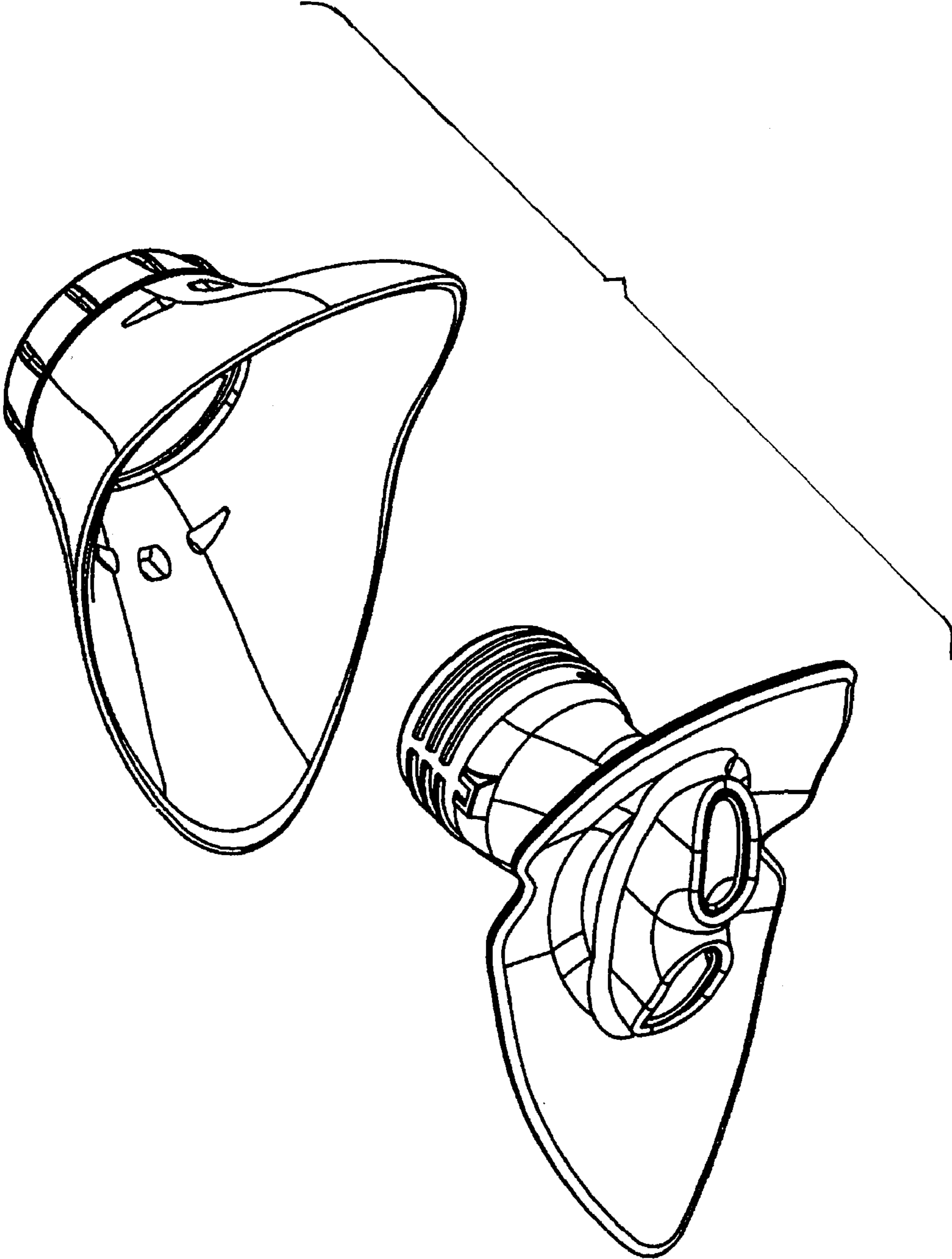


FIGURE 5

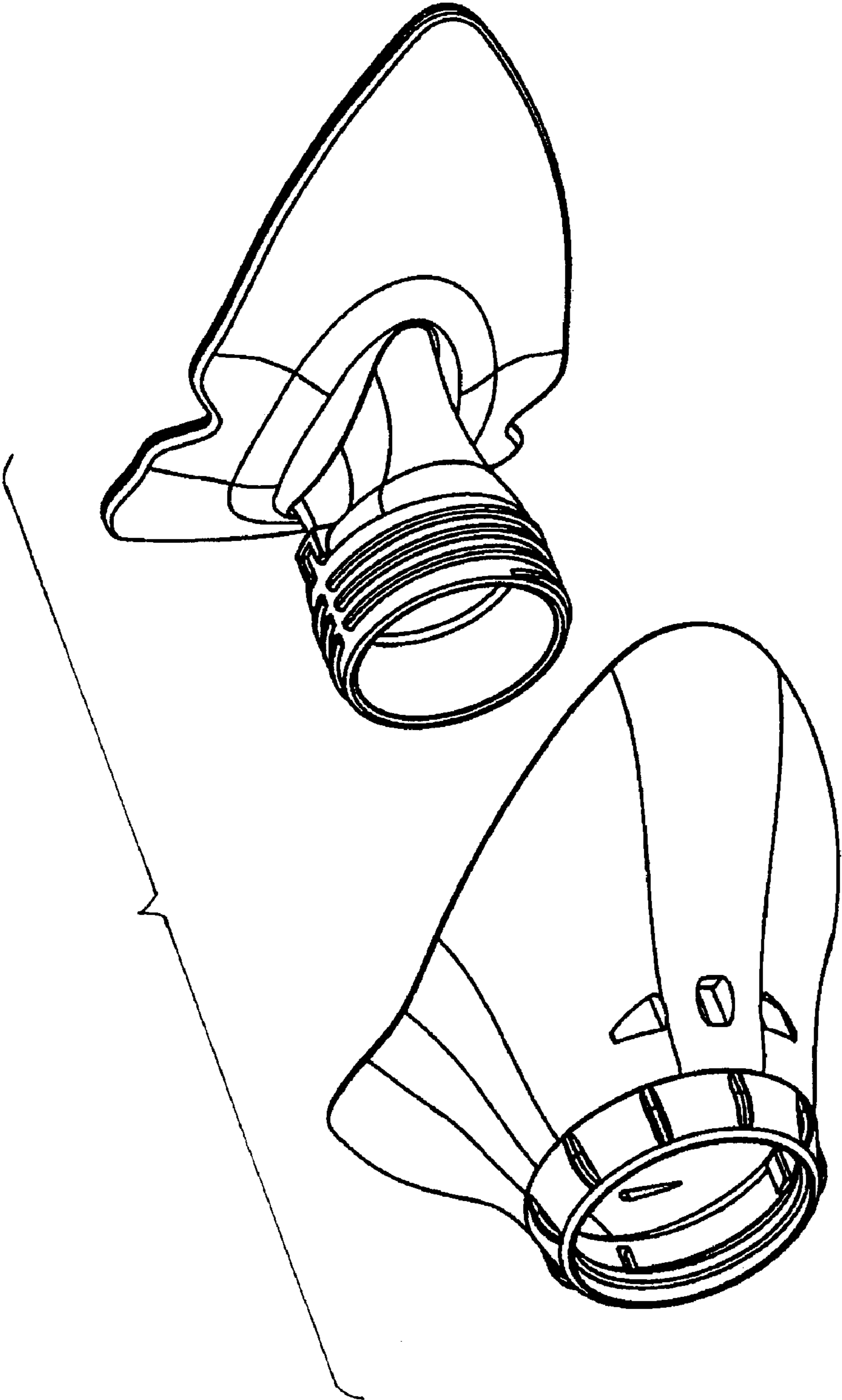


FIGURE 6