

US00D504940S

(12) **United States Design Patent**
Ekeroth

(10) **Patent No.:** **US D504,940 S**

(45) **Date of Patent:** **** May 10, 2005**

- (54) **RECESSED SHOWER RECEPTACLE**
- (75) Inventor: **Vagn Ekeroth, Gustafsberg (SE)**
- (73) Assignee: **Scandvik, Inc., Vero Beach, FL (US)**
- (**) Term: **14 Years**
- (21) Appl. No.: **29/194,478**
- (22) Filed: **Nov. 25, 2003**

5,800,188 A	9/1998	Barber et al.	439/142
D399,187 S	10/1998	Kay	D13/146
D399,828 S	10/1998	Eidsvig	D13/156
5,951,309 A	9/1999	Hopper	439/142
D425,004 S	5/2000	Bonvicin	D12/197
6,065,981 A	5/2000	Sopotnick et al.	439/135
6,089,888 A	7/2000	Miller	439/142
6,132,227 A	10/2000	Boteler et al.	439/142
6,179,634 B1	1/2001	Hull et al.	439/142
D449,581 S	10/2001	Bosatelli	D13/146

Related U.S. Application Data

- (62) Division of application No. 29/155,151, filed on Feb. 4, 2002, now Pat. No. Des. 497,419.
- (51) **LOC (7) Cl.** **23-02**
- (52) **U.S. Cl.** **D23/304**
- (58) **Field of Search** D23/304, 223, D23/228, 275, 283; 4/567-569, 596-597, 601, 605, 615; 220/3.8, 3.9, 23.83, 87.2; 239/451; 439/536, 135

References Cited

U.S. PATENT DOCUMENTS

1,989,297 A	1/1935	Stant	220/24
2,628,868 A	2/1953	Mitcham	239/451
3,966,073 A	6/1976	Geisel	220/3.8
D289,545 S	4/1987	Koch	D23/223
4,770,643 A	9/1988	Castellani et al.	439/135
D312,442 S	11/1990	Whitley, II	D12/197
5,306,178 A	4/1994	Huang	439/536
D360,612 S	7/1995	Whitley, II	D12/317
D369,335 S	4/1996	Benningfield	D12/197
5,571,023 A	11/1996	Anthony	439/142
5,573,412 A	11/1996	Anthony	439/133
5,588,853 A	12/1996	Anthony	429/136

FOREIGN PATENT DOCUMENTS

WO WO 03/046298 3/2003

Primary Examiner—Robert A. Delehanty

(74) *Attorney, Agent, or Firm*—McAndrews, Held & Malloy

(57) **CLAIM**

The ornamental design for the recessed shower receptacle, as shown and described.

DESCRIPTION

FIG. 1 is a perspective view of the invention showing the lid closed, and illustrating details of the receptacles.

FIG. 2 is a perspective view of the invention showing the lid open, and illustrating details of the receptacles.

FIG. 3 is a top plan view of the invention, showing the lid open and showing further details of the webs forming the side wall apertures.

FIG. 4 is a side elevation of the invention; and,

FIG. 5 is a bottom plan view of the invention.

The broken line showing in FIG. 3 of the drawing views is for illustrative purposes only and forms no part of the claimed design.

1 Claim, 1 Drawing Sheet

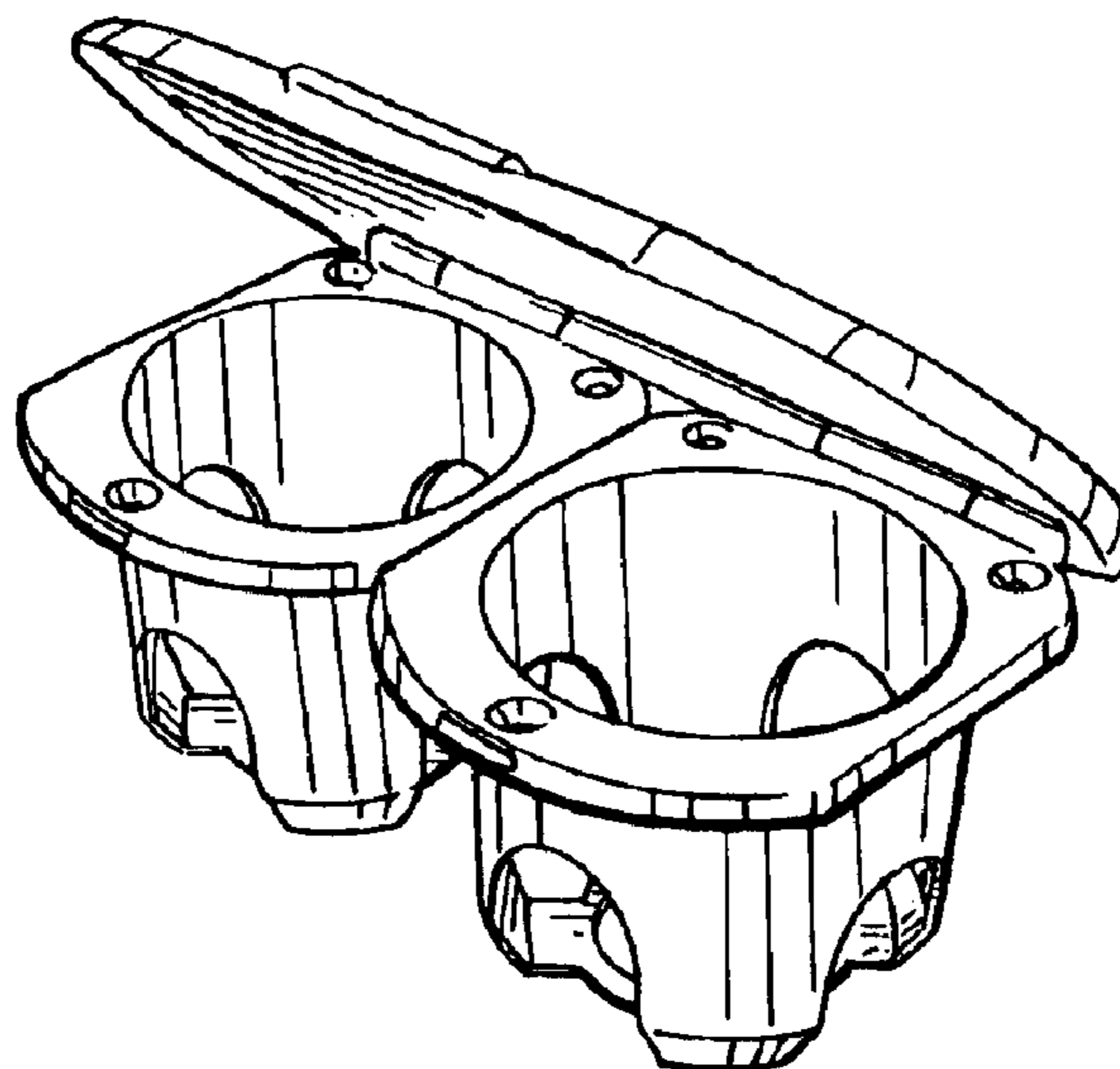


FIG. 1

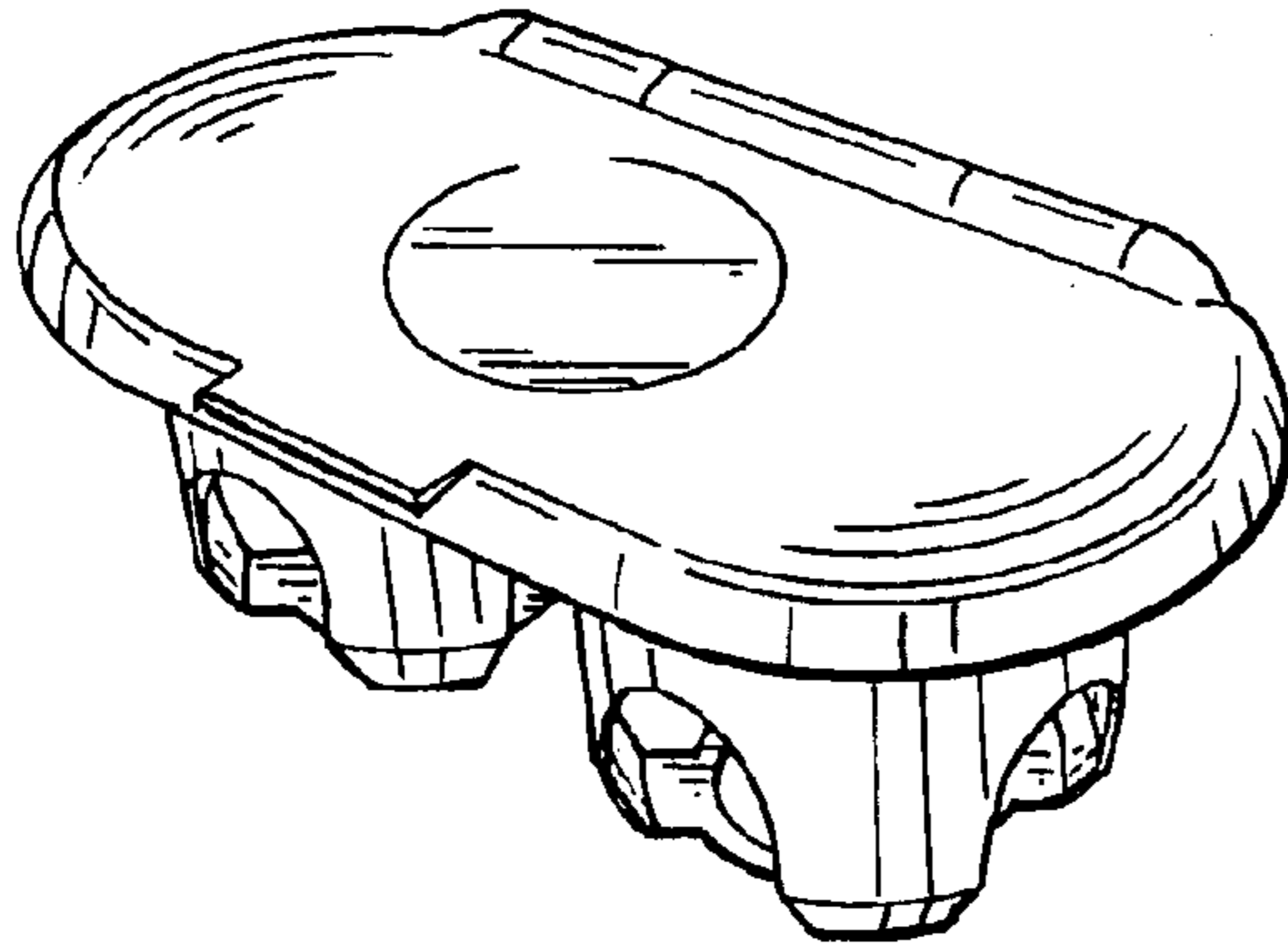


FIG. 4

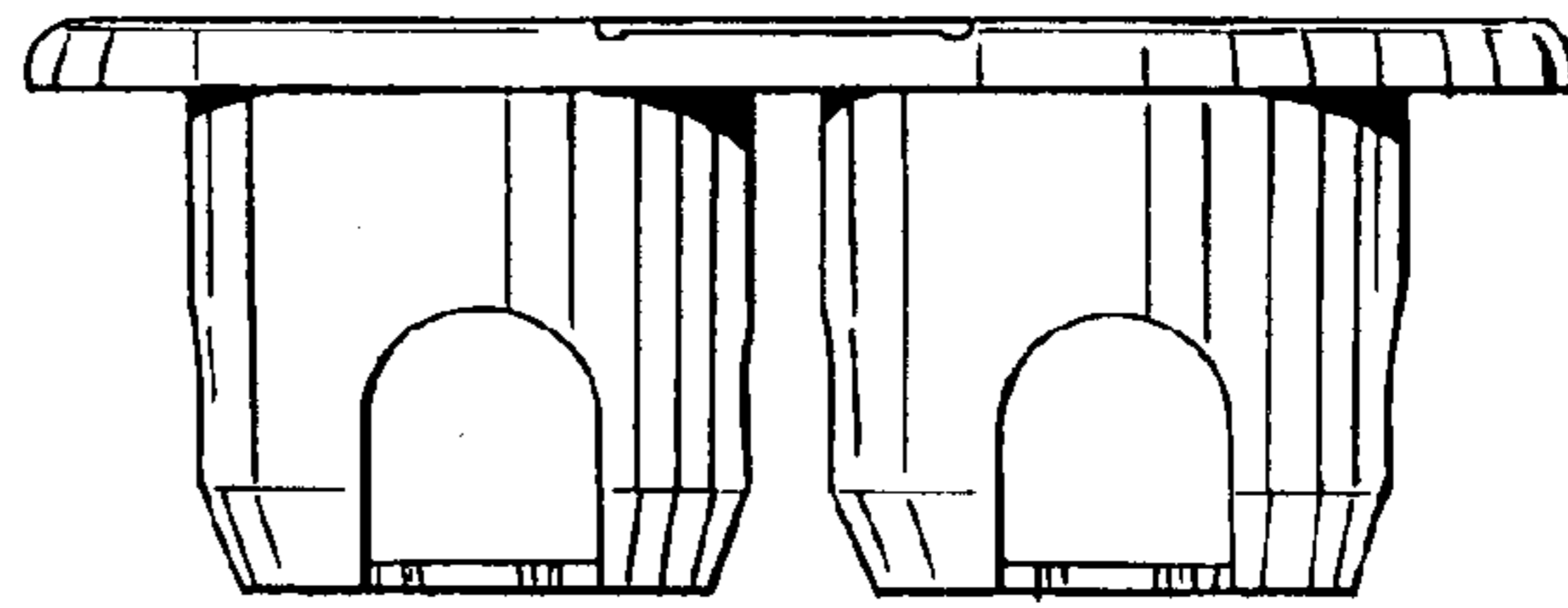


FIG. 2

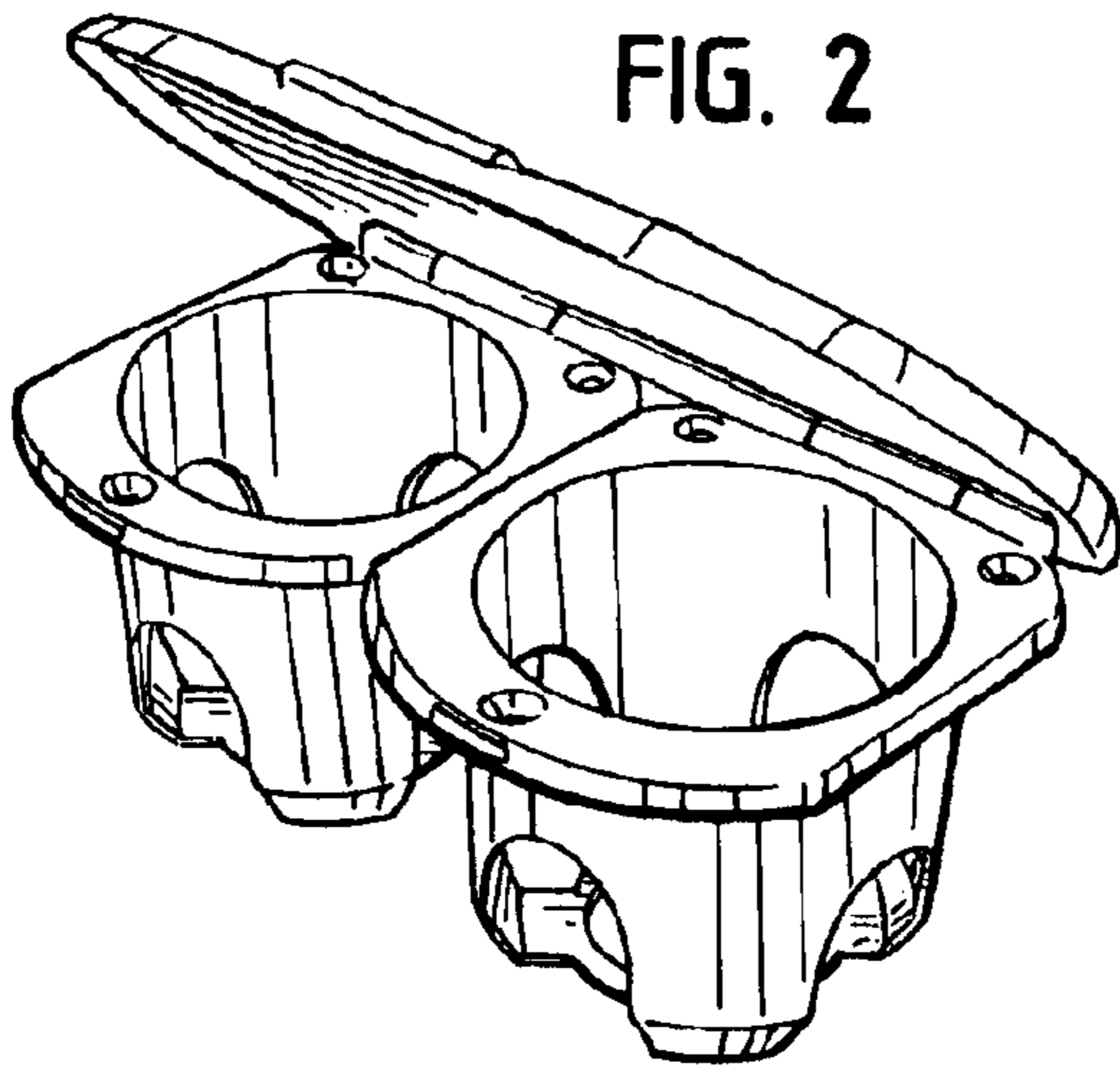


FIG. 5

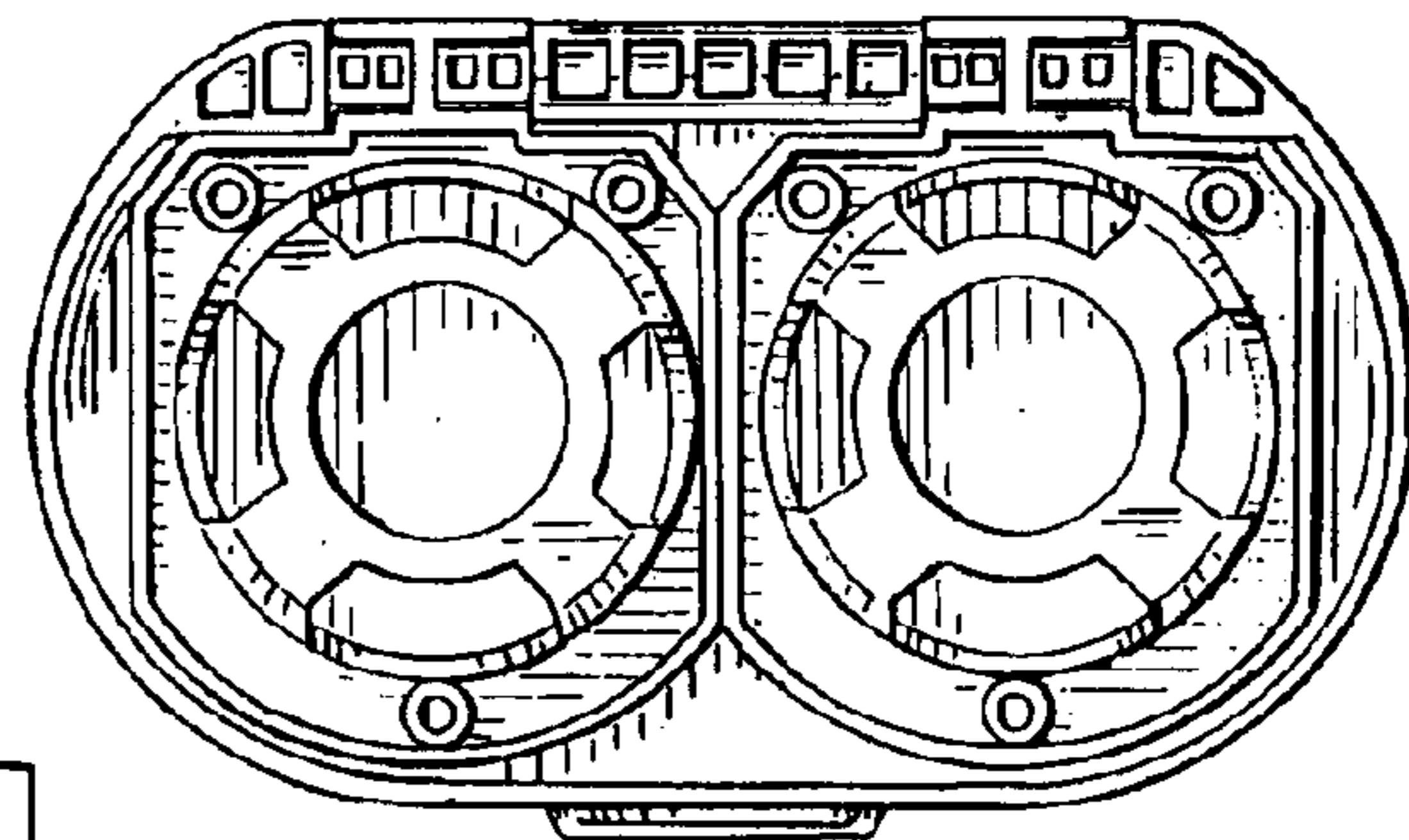


FIG. 3

