

US00D504939S

(12) **United States Design Patent** (10) **Patent No.:** **US D504,939 S**  
**Piatt** (45) **Date of Patent:** **\*\* May 10, 2005**

- (54) **LAVATORY**
- (75) Inventor: **James M. Piatt**, Sheboygan Falls, WI (US)
- (73) Assignee: **Kohler Co.**, Kohler, WI (US)
- (\*\*) Term: **14 Years**
- (21) Appl. No.: **29/212,270**
- (22) Filed: **Aug. 30, 2004**

- D446,288 S 8/2001 McKeone et al. .... D23/293.1
- 6,276,648 B1 8/2001 Katz et al. .... 4/648
- 6,363,547 B1 4/2002 Perry ..... 4/614
- D461,881 S 8/2002 McKeone ..... D23/293.1
- D463,538 S 9/2002 Chipperfield ..... D23/284

**Related U.S. Application Data**

- (60) Division of application No. 29/190,332, filed on Sep. 18, 2003, now Pat. No. Des. 497,417, which is a division of application No. 29/158,620, filed on Apr. 4, 2002, now Pat. No. Des. 482,434, which is a continuation-in-part of application No. 29/153,936, filed on Oct. 26, 2001, now Pat. No. Des. 473,293.
- (51) **LOC (7) Cl.** ..... **23-02**
- (52) **U.S. Cl.** ..... **D23/293.1**
- (58) **Field of Search** ..... D23/270–274,  
D23/283–284, 286–287, 291–292, 293.1,  
303, 304–308; 4/553, 557–558, 596–604,  
612–614, 619, 622, 629–630, 633, 638,  
650–651, 660

**References Cited**

**U.S. PATENT DOCUMENTS**

- 450,895 A 4/1891 Shattuck ..... D23/293.1
- 998,742 A 7/1911 Berkley ..... 4/652 X
- 2,389,724 A 11/1945 Falco ..... D23/283 X
- 3,376,583 A 4/1968 Frey ..... 4/638 X
- D218,031 S 7/1970 Wheeler, Jr. .... D23/308
- 3,578,737 A 5/1971 Ruggles et al. .... 4/631
- 3,579,661 A 5/1971 Lien ..... 4/651 X
- D232,638 S 9/1974 Mather ..... D23/284
- D236,204 S 8/1975 Cooper ..... D23/308
- 4,086,669 A 5/1978 Combis ..... 4/622
- D298,452 S 11/1988 Carter ..... D23/293.1
- D332,829 S 1/1993 Belfor ..... D23/292
- D356,148 S 3/1995 Kohler, Jr. et al. .... D23/293.1
- 5,628,484 A 5/1997 Lechuga ..... 4/594
- D423,653 S 4/2000 Svendsen ..... D23/293.1
- D430,274 S 8/2000 Marshall ..... D23/284
- D436,656 S 1/2001 McKeone ..... D23/293.1

**OTHER PUBLICATIONS**

- 1999 Kohler catalog ad, p. 16.13, showing an “Interlace” kitchen sink.
- 1999 Kohler catalog ad, p. 16.55, showing a K–3340 “Undertone” sink.
- 1998 Kohler catalog ad, p. 8–25, showing a “Jamestown” lavatory.
- 1999 Kohler catalog ad, p. 14.9, showing a “Folio” lavatory.
- 2000 Kohler catalog ad, p. 11.23, showing “Memoirs” shower receptors.

*Primary Examiner*—Robert A. Delehanty  
(74) *Attorney, Agent, or Firm*—Quarles & Brady LLP

(57) **CLAIM**

The ornamental design for a lavatory, as shown and described.

**DESCRIPTION**

In a preferred embodiment, the nature of this product is as a plumbing fixture in the form of a lavatory which is primarily useful for washing the body parts of humans.

FIG. 1 is a left, top, front perspective view of a lavatory embodying my new design;

FIG. 2 is a top plan view thereof;

FIG. 3 is a front elevational view thereof;

FIG. 4 is a left side elevational view thereof, the right side elevational view thereof being a mirror image of the left side shown;

FIG. 5 is a left, top, front perspective view of a lavatory according to another embodiment of my new design, the left side elevational view thereof being identical to the left side elevational view shown in FIG. 4, the right side elevational view thereof being a mirror image of the left side shown in FIG. 4;

FIG. 6 is a top plan view thereof; and,

FIG. 7 is a front elevational view thereof.

The broken line representations of drains in the figures are for the purpose of illustration only, and form no part of the claimed design.

**1 Claim, 3 Drawing Sheets**

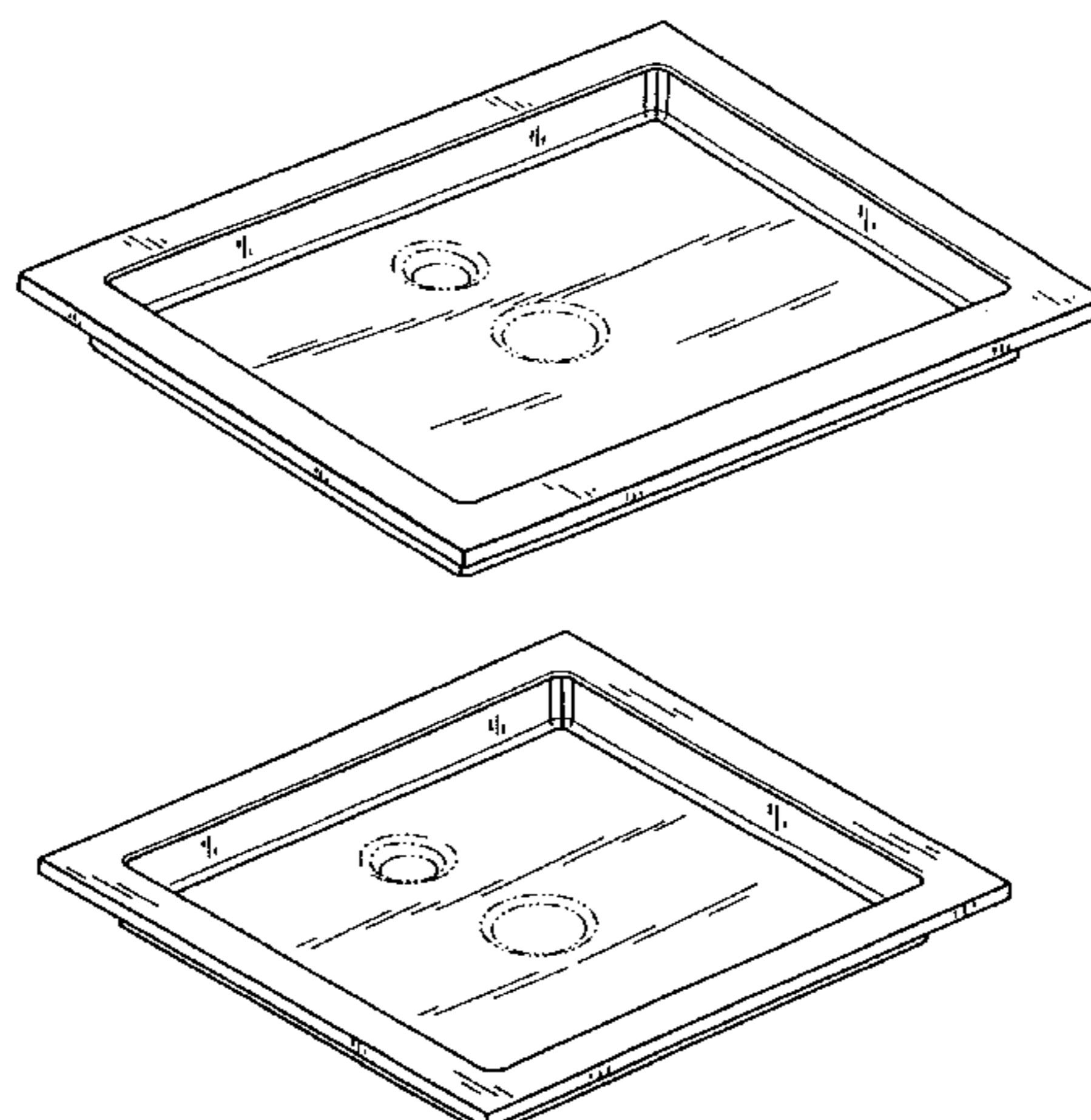


FIG. 1

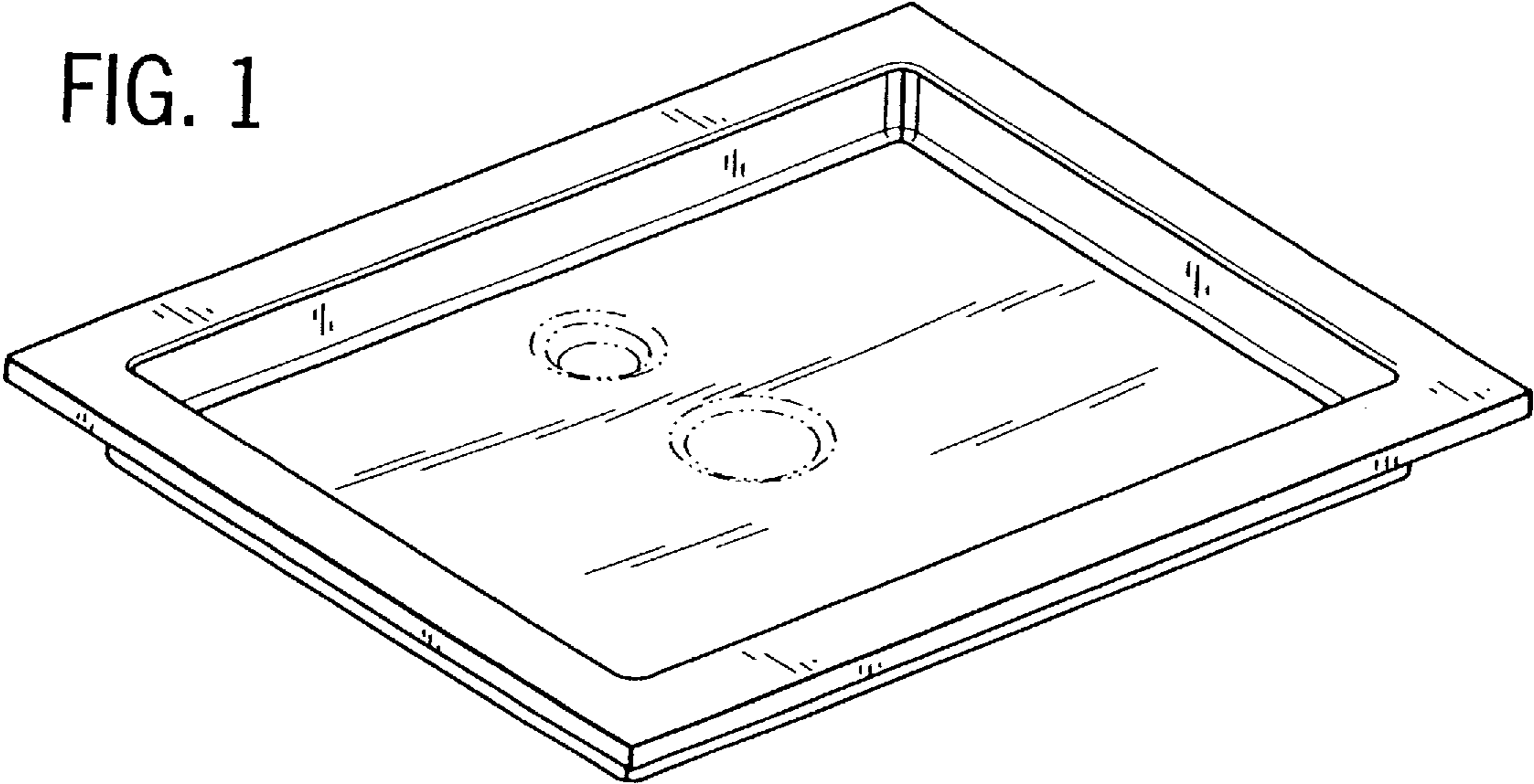
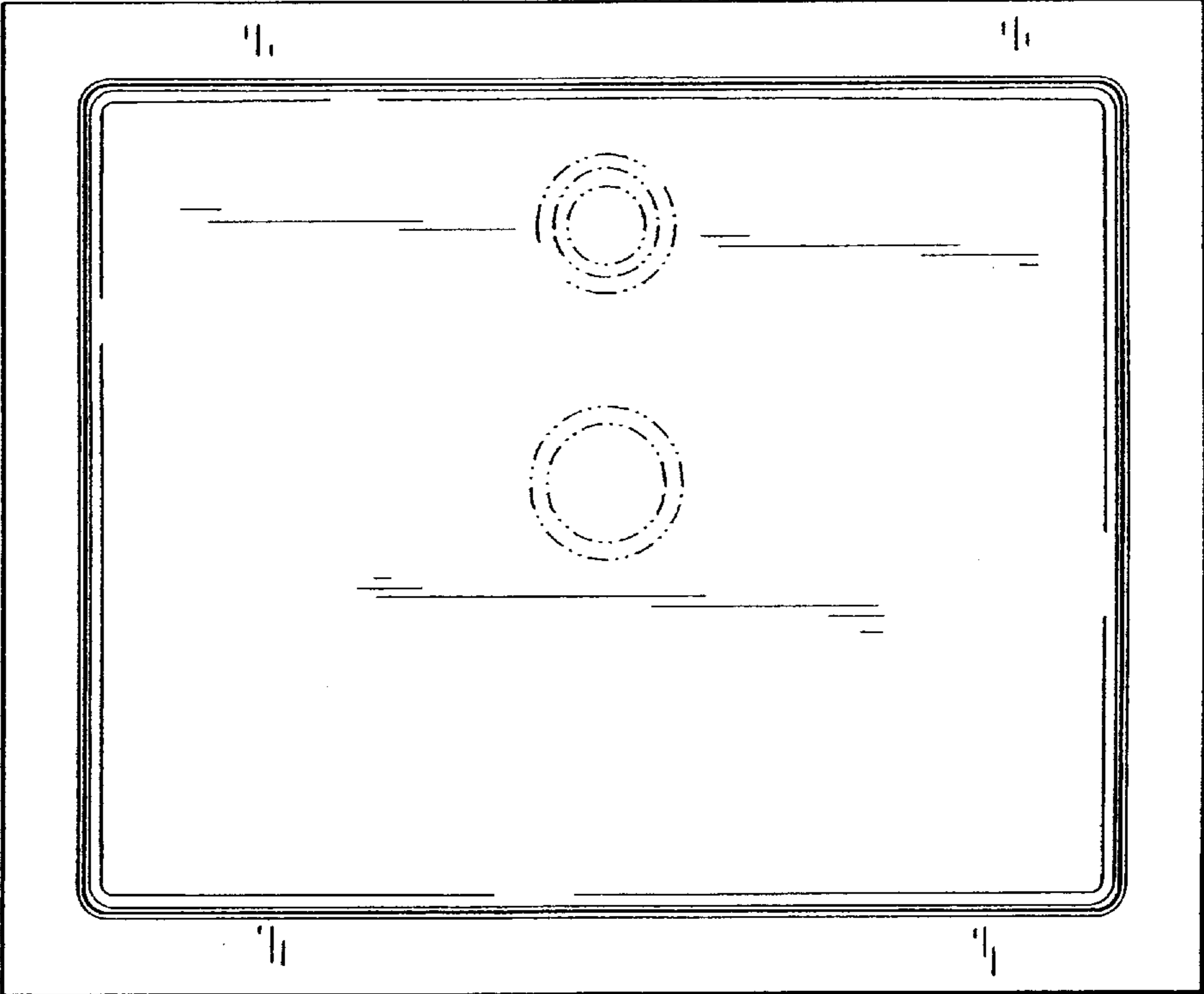


FIG. 2



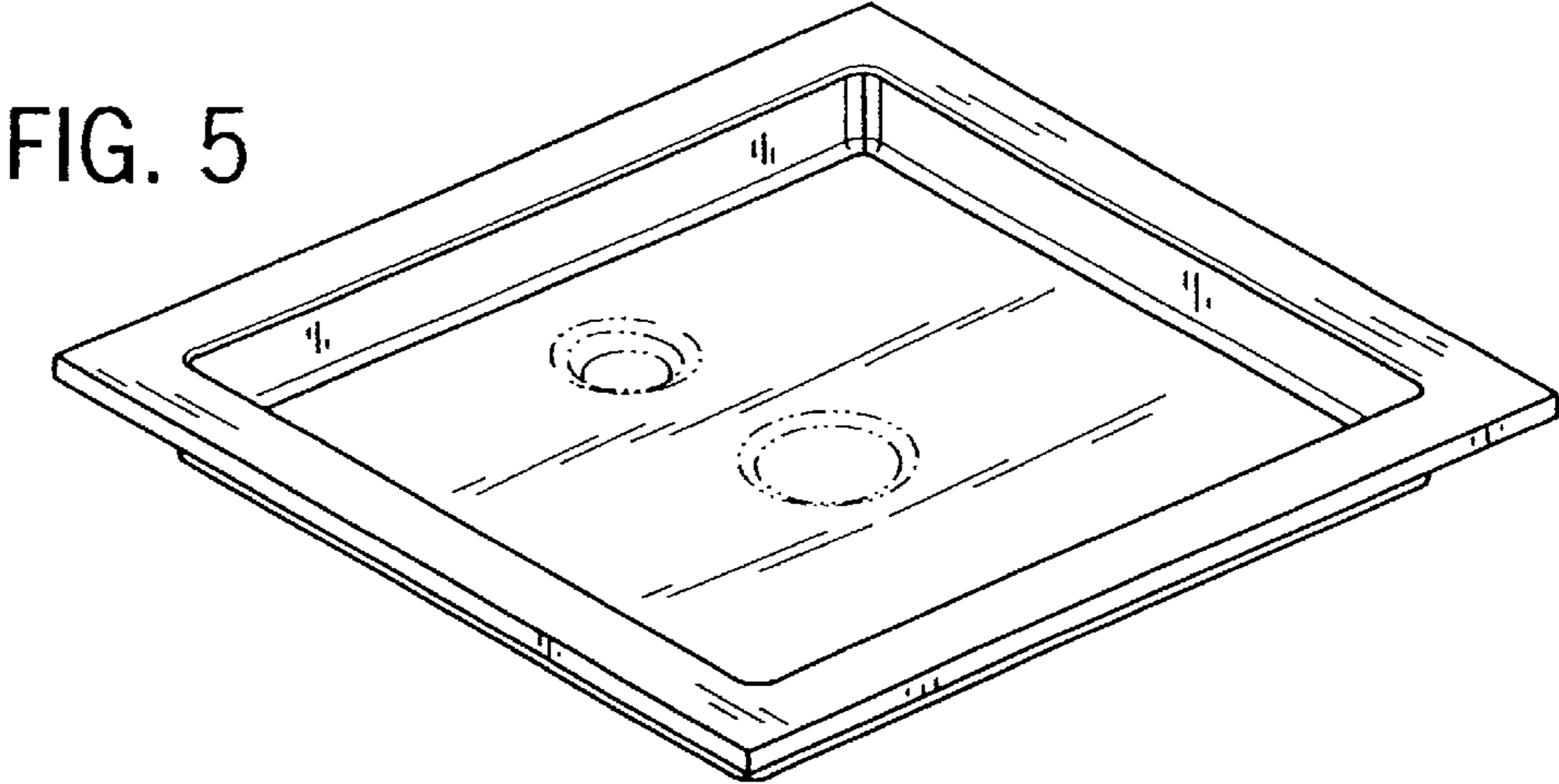
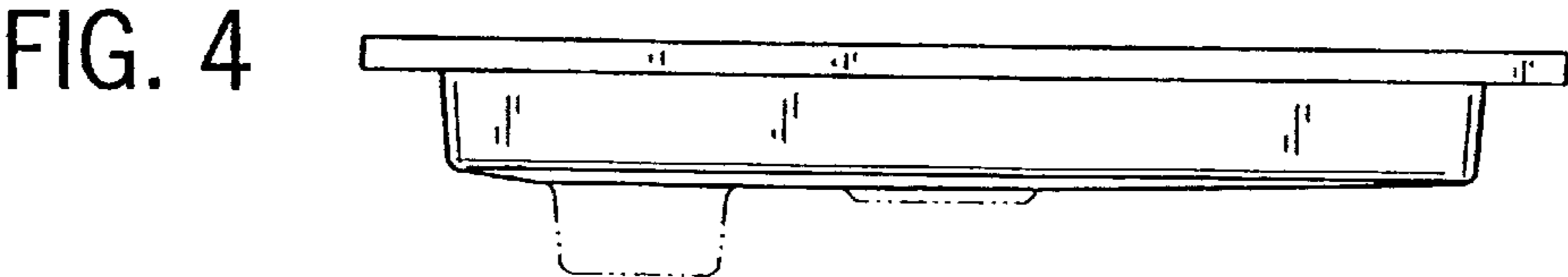
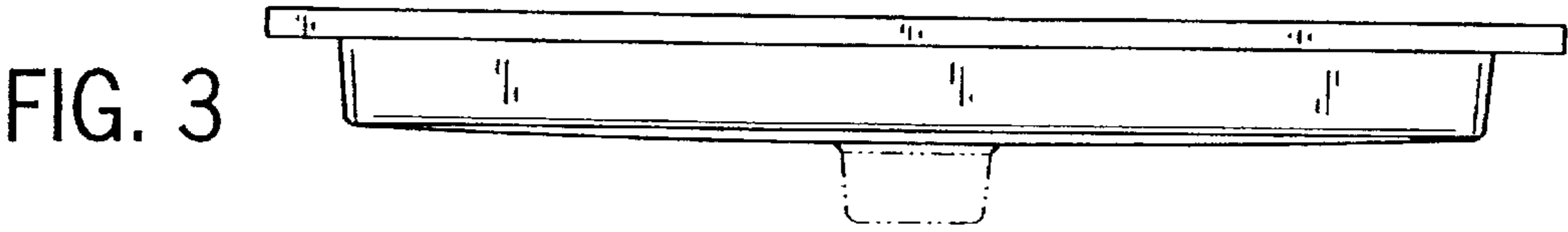


FIG. 6

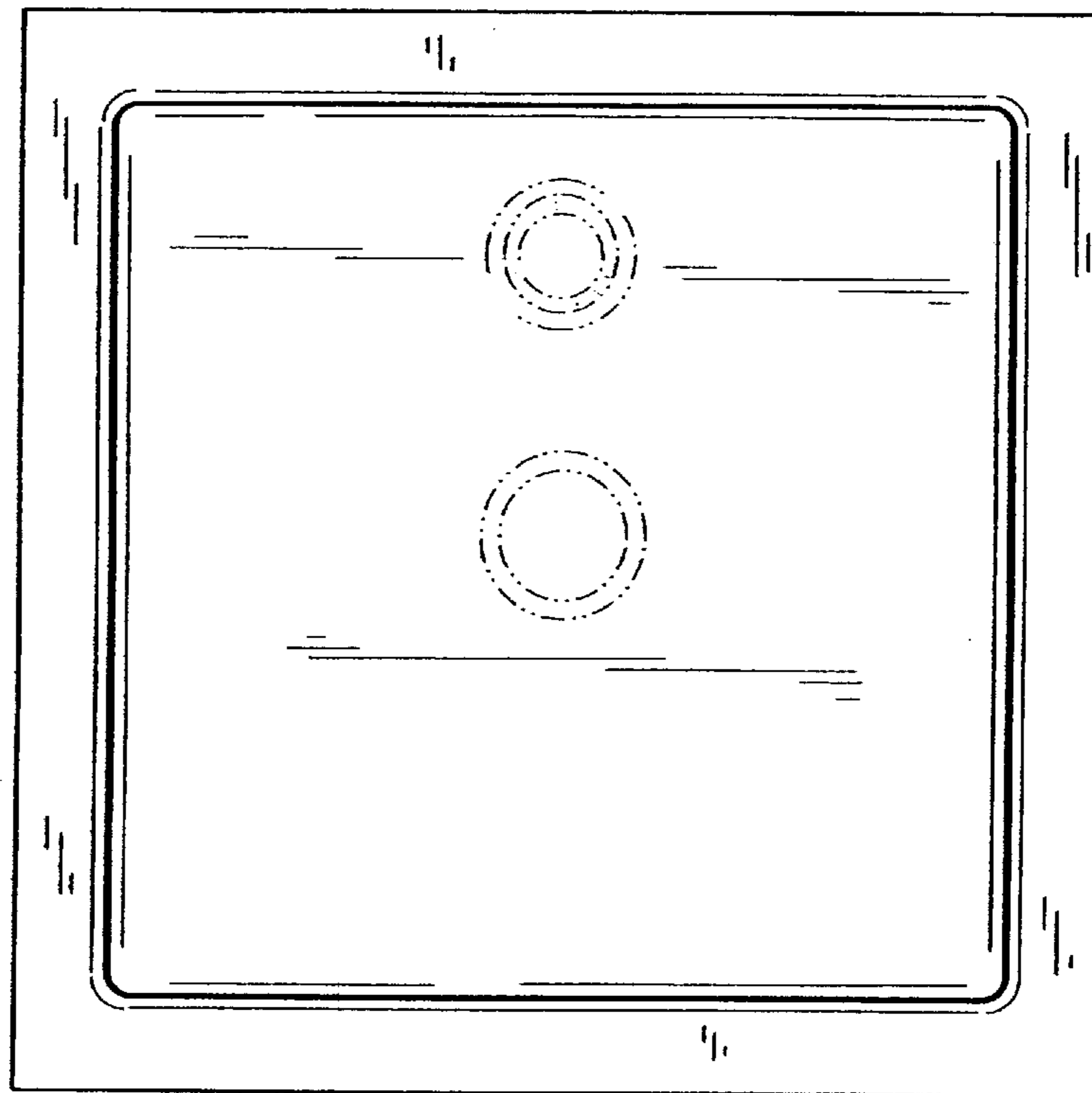


FIG. 7

