

US00D504933S

(12) **United States Design Patent**
Hopwood

(10) **Patent No.: US D504,933 S**
(45) **Date of Patent: ** May 10, 2005**

(54) **WHEELCHAIR ACCESSORY FOR HOLDING FISHING ROD**

D413,648 S * 9/1999 Simpson et al. D22/147
6,390,426 B1 5/2002 Berry 248/230.1

(76) Inventor: **Eugene F. Hopwood**, P.O. Box 441,
Bourbon, MO (US) 65441

* cited by examiner

Primary Examiner—Catherine R. Oliver
(74) *Attorney, Agent, or Firm*—Donald R. Schoonover

(**) Term: **14 Years**

(57) **CLAIM**

(21) Appl. No.: **29/208,406**

I claim the ornamental design for a wheelchair accessory for holding fishing rod, as shown and described.

(22) Filed: **Jun. 29, 2004**

DESCRIPTION

(51) **LOC (7) Cl.** **22-05**

(52) **U.S. Cl.** **D22/147**

(58) **Field of Search** D22/147, 148;
43/21.2; 248/515, 519, 538, 511-514

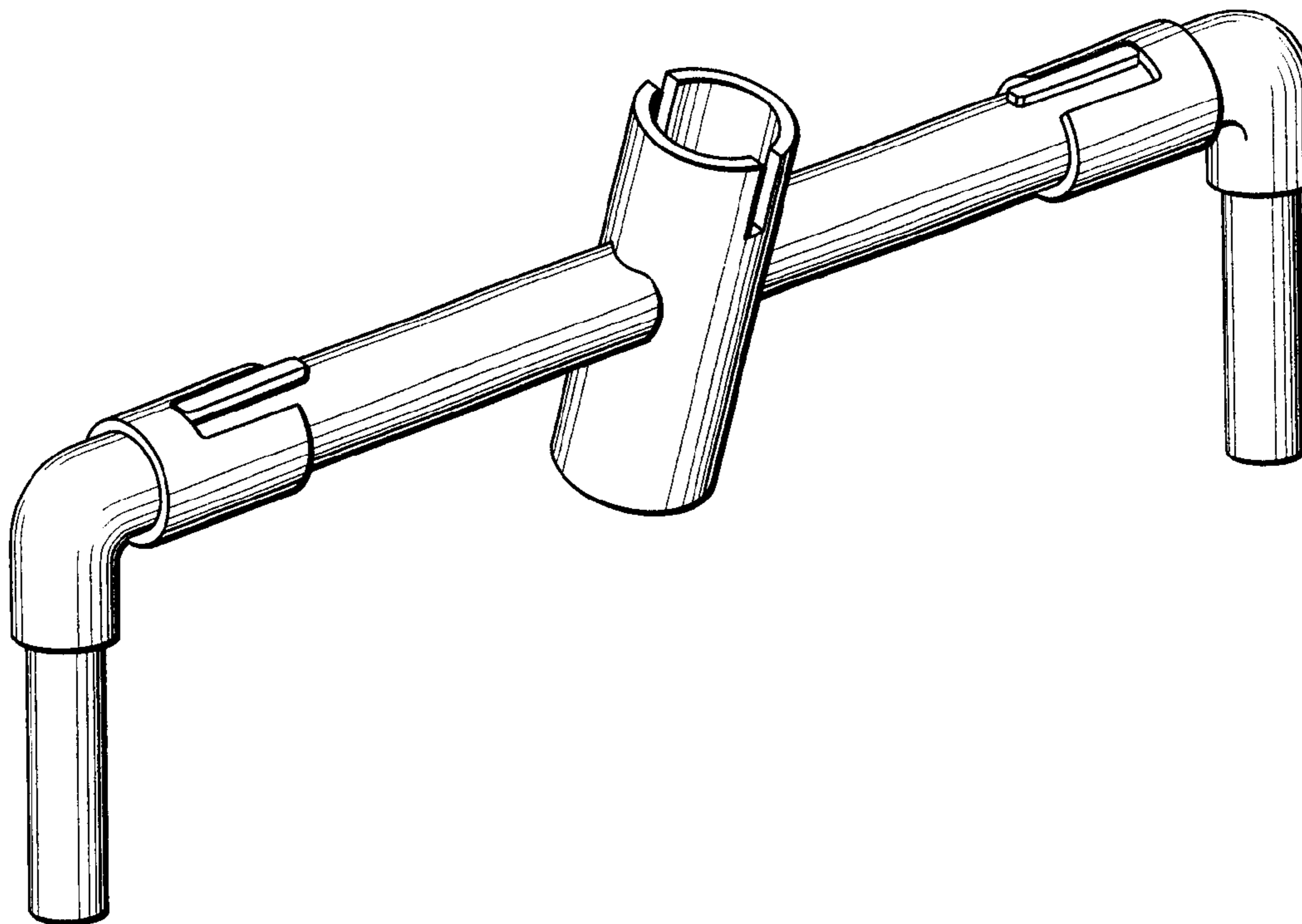
FIG. 1 is a perspective view of a wheelchair accessory for holding fishing rod showing my new design;
FIG. 2 is a top plan view thereof;
FIG. 3 is a front elevational view thereof;
FIG. 4 is a right side elevational view thereof, the left side elevational view being a mirror image thereof;
FIG. 5 is a rear elevational view thereof;
FIG. 6 is a bottom plan view thereof; and,
FIG. 7 is a reduced perspective view showing the wheelchair accessory for holding fishing rod in use; the broken lines depict environmental structure for illustrative purposes only and form no part of the claimed design.

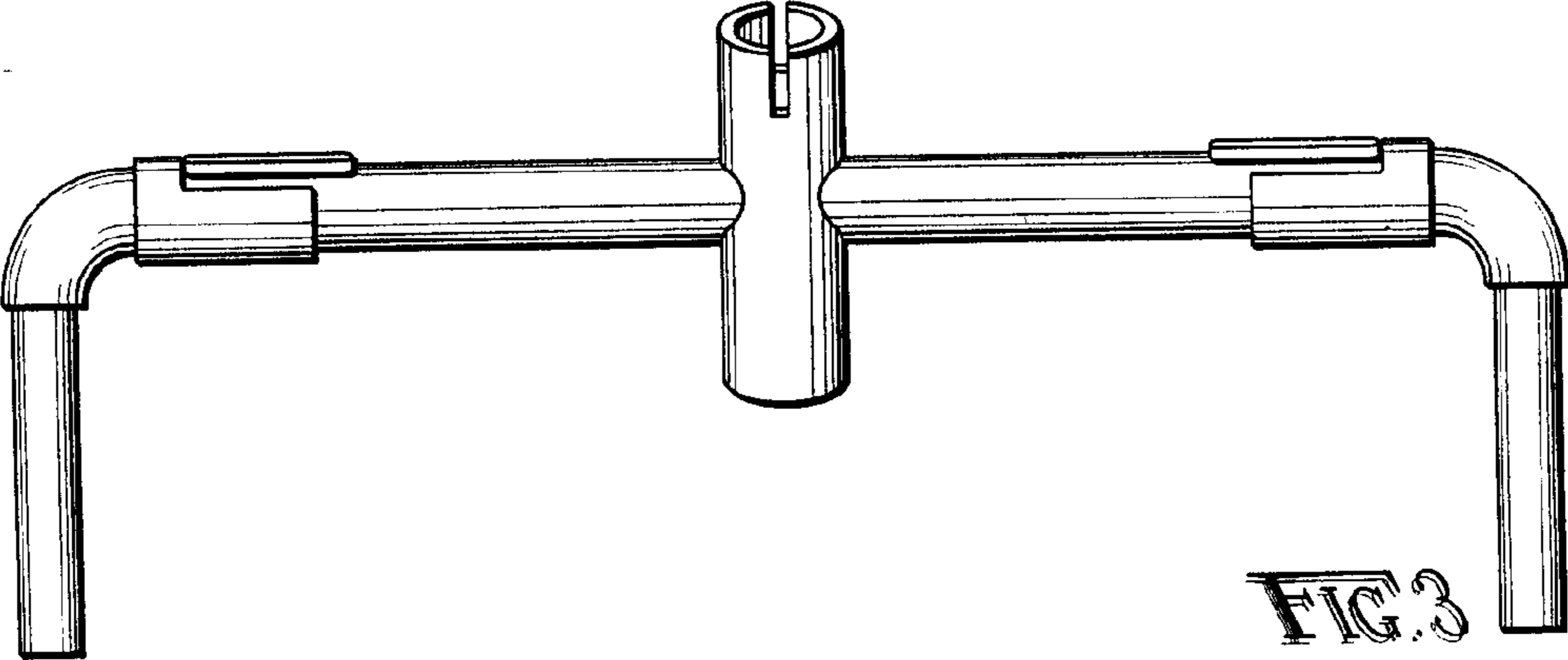
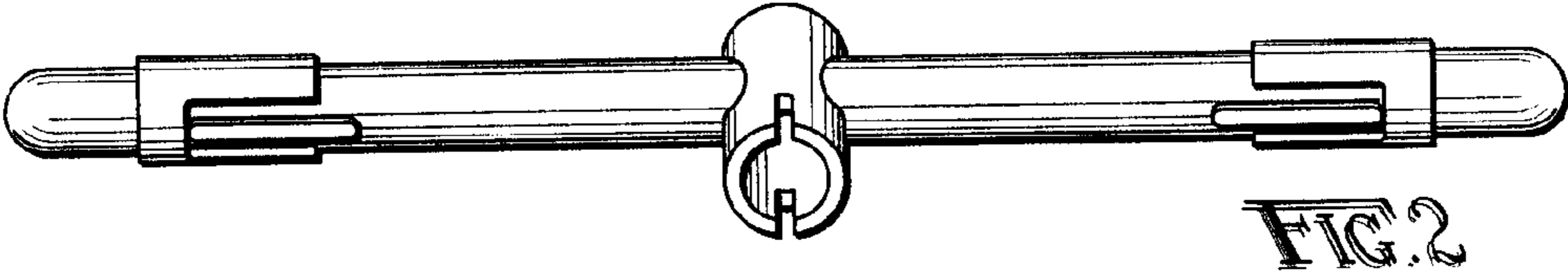
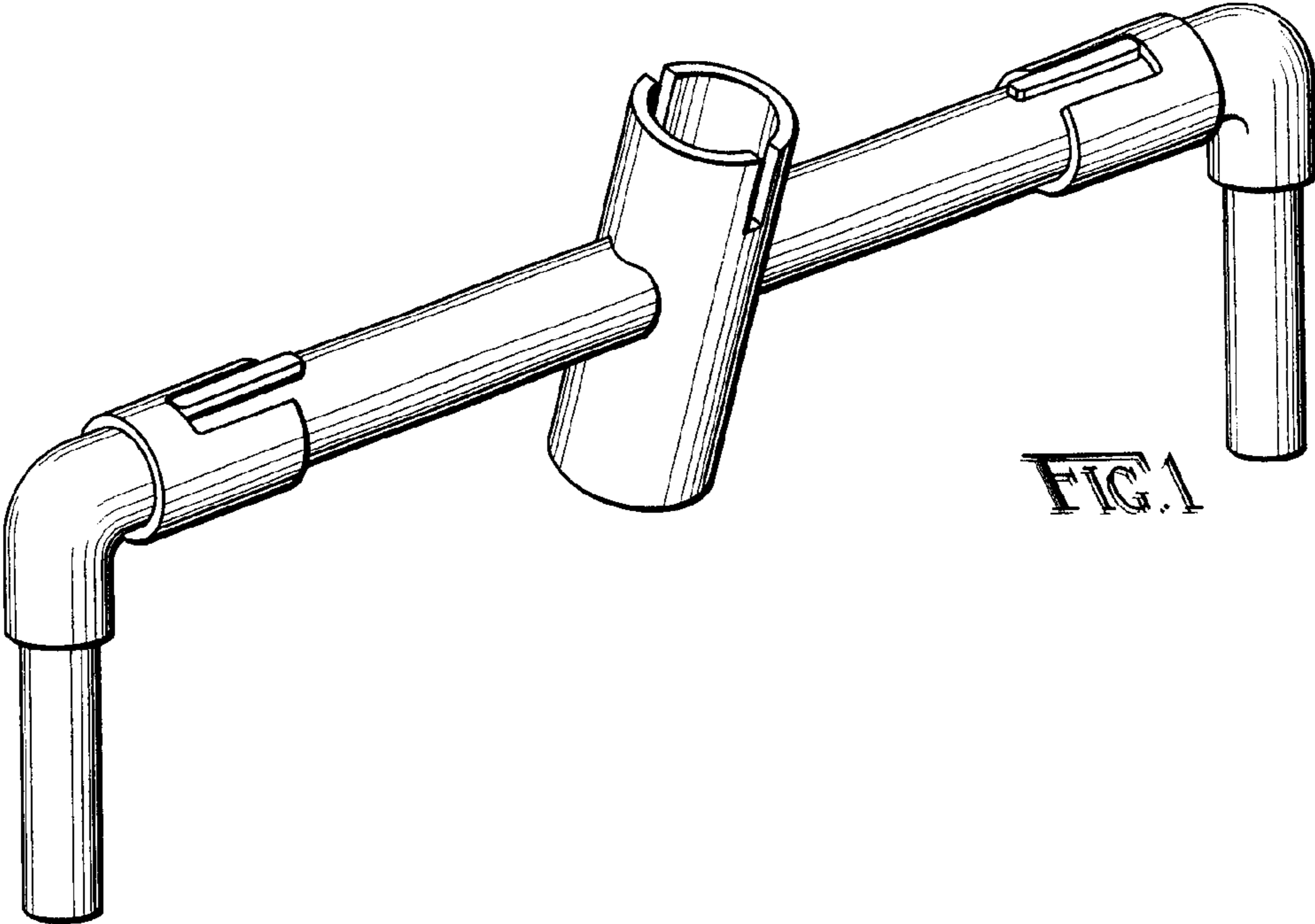
(56) **References Cited**

U.S. PATENT DOCUMENTS

1,025,657 A	5/1912	Towne	248/515
4,609,175 A	9/1986	Conover	248/519
4,759,963 A	7/1988	Uso, Jr. et al.	428/100
5,365,689 A	11/1994	Holliman	43/21.2
D365,870 S	1/1996	Miller	D22/147
D372,956 S *	8/1996	Mills	D22/147
5,634,650 A	6/1997	Hensler, Sr. et al.	280/47.38
D390,308 S *	2/1998	Sieland et al.	D22/147

1 Claim, 3 Drawing Sheets





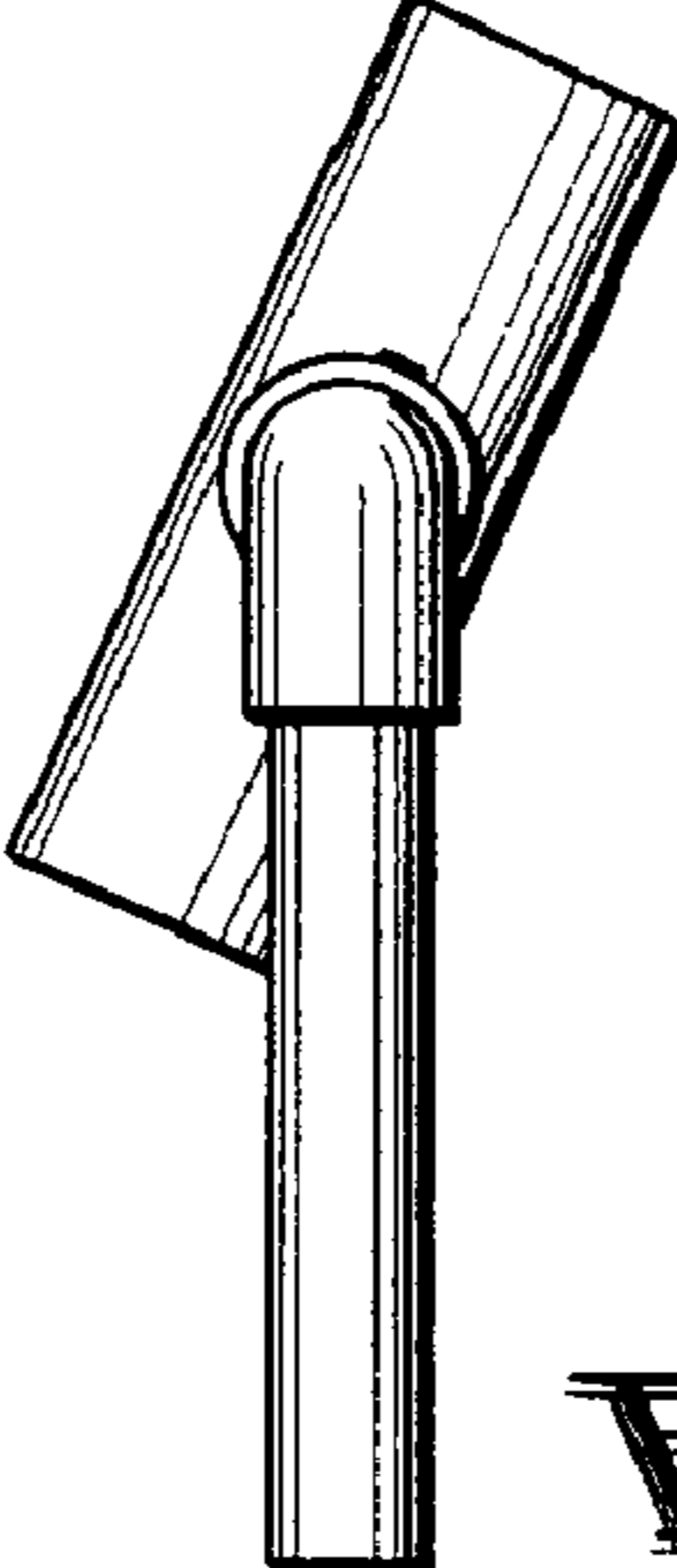


FIG. 4

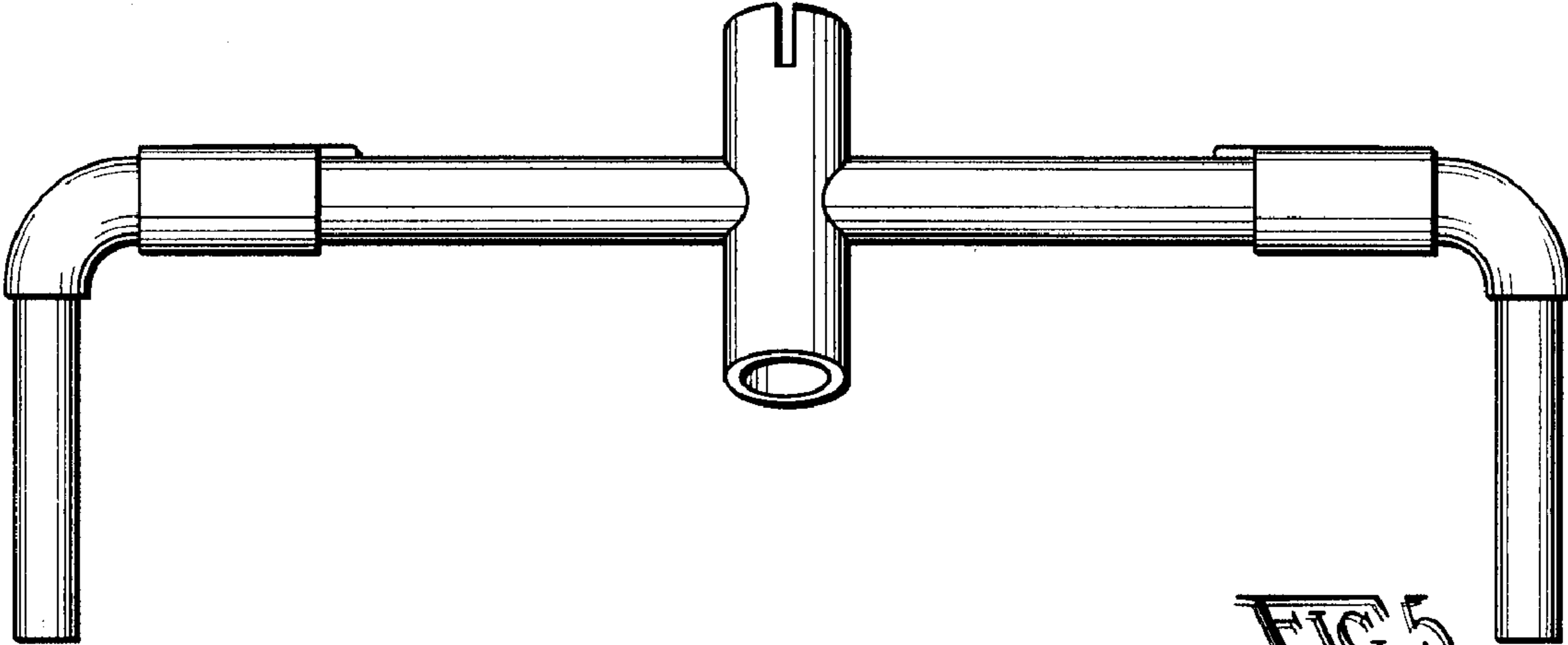


FIG. 5

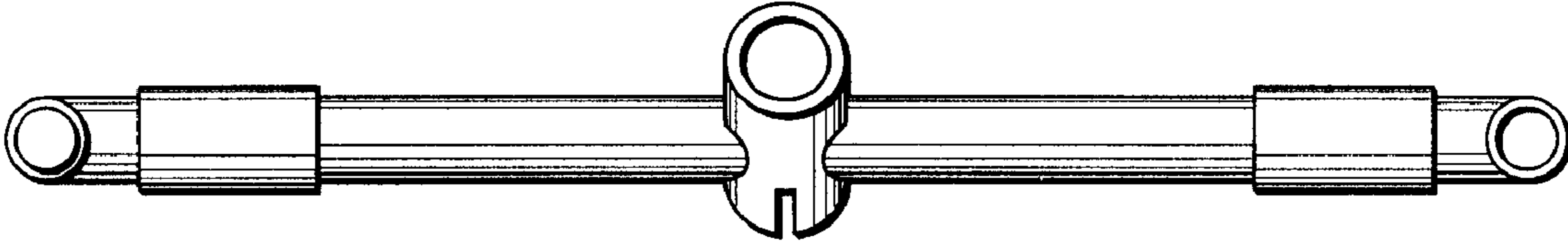


FIG. 6

