

US00D504931S

(12) **United States Design Patent**
Martin

(10) **Patent No.:** **US D504,931 S**

(45) **Date of Patent:** **** May 10, 2005**

(54) **POOL TABLE**

(76) **Inventor:** **Michael J. Martin**, 11612 Sasanqua
La., Dallas, TX (US) 75218

(**) **Term:** **14 Years**

(21) **Appl. No.:** **29/192,792**

(22) **Filed:** **Oct. 30, 2003**

(51) **LOC (7) Cl.** **06-03**

(52) **U.S. Cl.** **D21/783**

(58) **Field of Search** D21/782-784;
473/1, 4, 6, 7, 10, 28, 29; D6/480

(56) **References Cited**

U.S. PATENT DOCUMENTS

- 211,083 A * 1/1879 Bensinger 473/10
- D205,670 S * 9/1966 Reineman D6/498
- D249,971 S * 10/1978 Fields, Jr. D21/784
- D303,277 S * 9/1989 Hall D21/784
- 4,989,863 A * 2/1991 Hall 473/15
- D333,690 S * 3/1993 McKenzie D21/784

- 6,102,808 A * 8/2000 Wong 473/12
- D450,103 S * 11/2001 Chevillotte D21/784
- D489,784 S * 5/2004 Foley D21/784

* cited by examiner

Primary Examiner—Prabhakar Deshmukh

(74) *Attorney, Agent, or Firm*—Michael L. Diaz

(57) **CLAIM**

The ornamental design for a pool table, as shown and described.

DESCRIPTION

FIG. 1 is an upper perspective view of a pool table showing my new design;

FIG. 2 is a lower perspective view thereof;

FIG. 3 is a top plan view thereof;

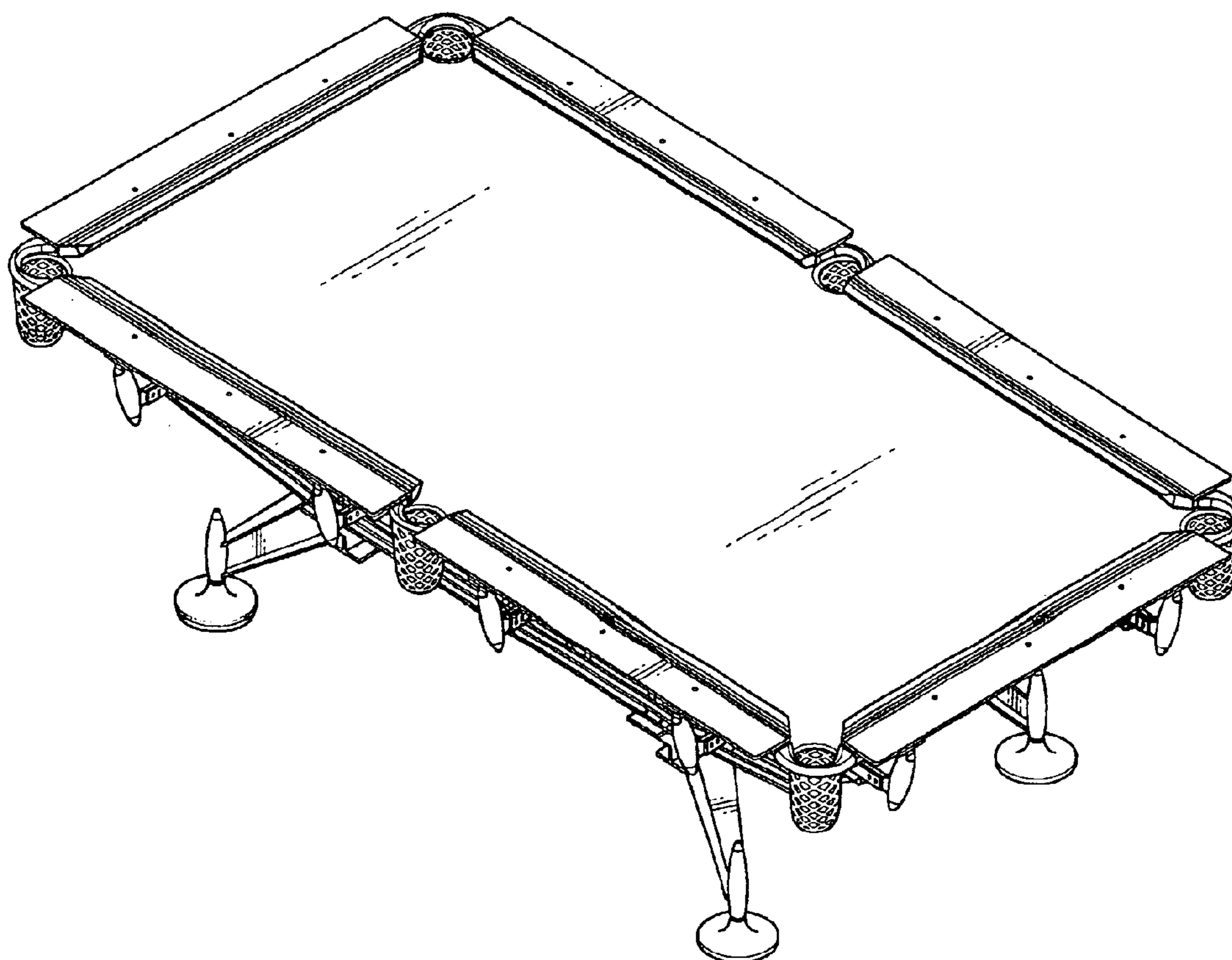
FIG. 4 is a side front elevation view thereof;

FIG. 5 is a side back elevation view thereof;

FIG. 6 is a left end side elevation view thereof; and,

FIG. 7 is a right end side elevation view thereof.

1 Claim, 6 Drawing Sheets



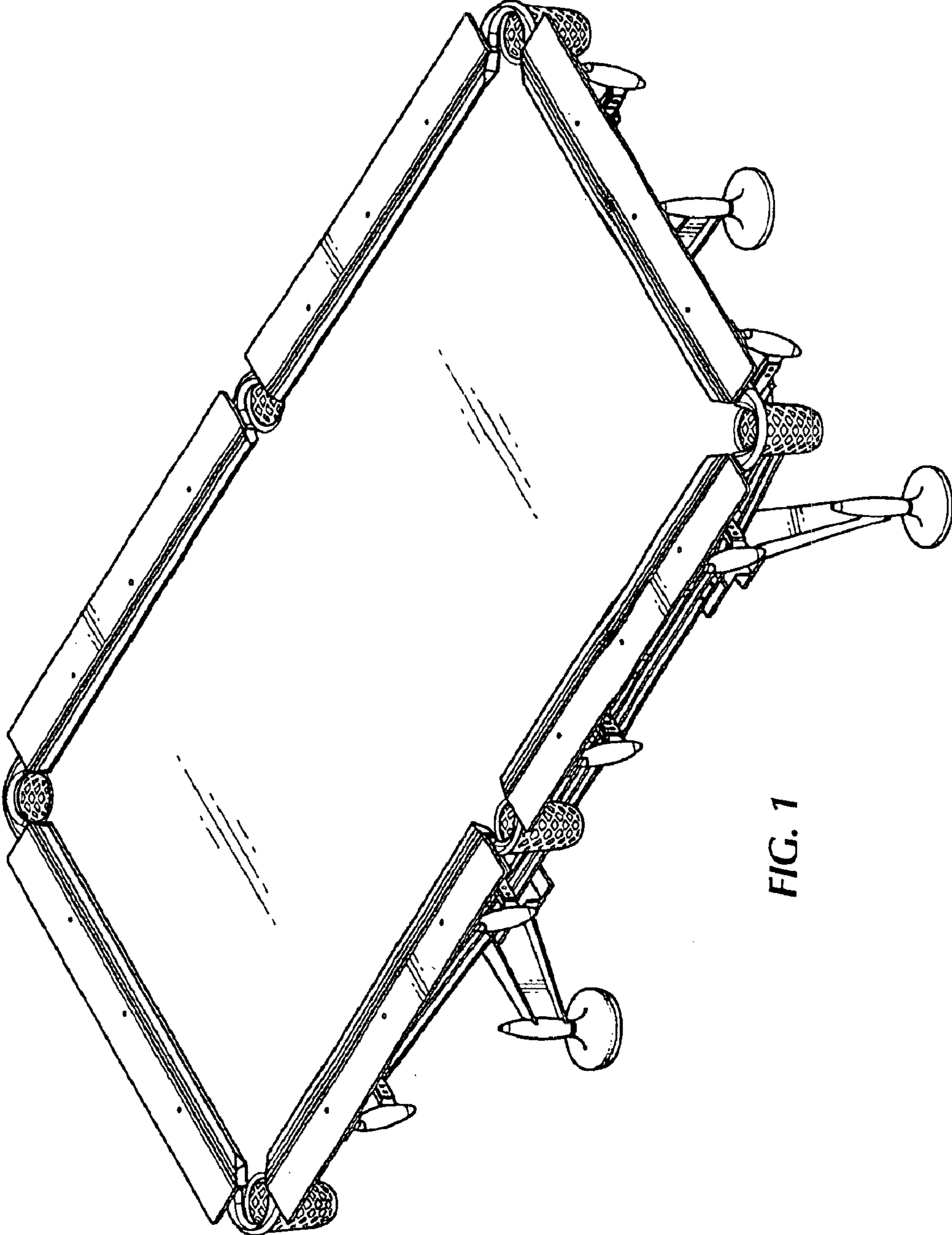


FIG. 1

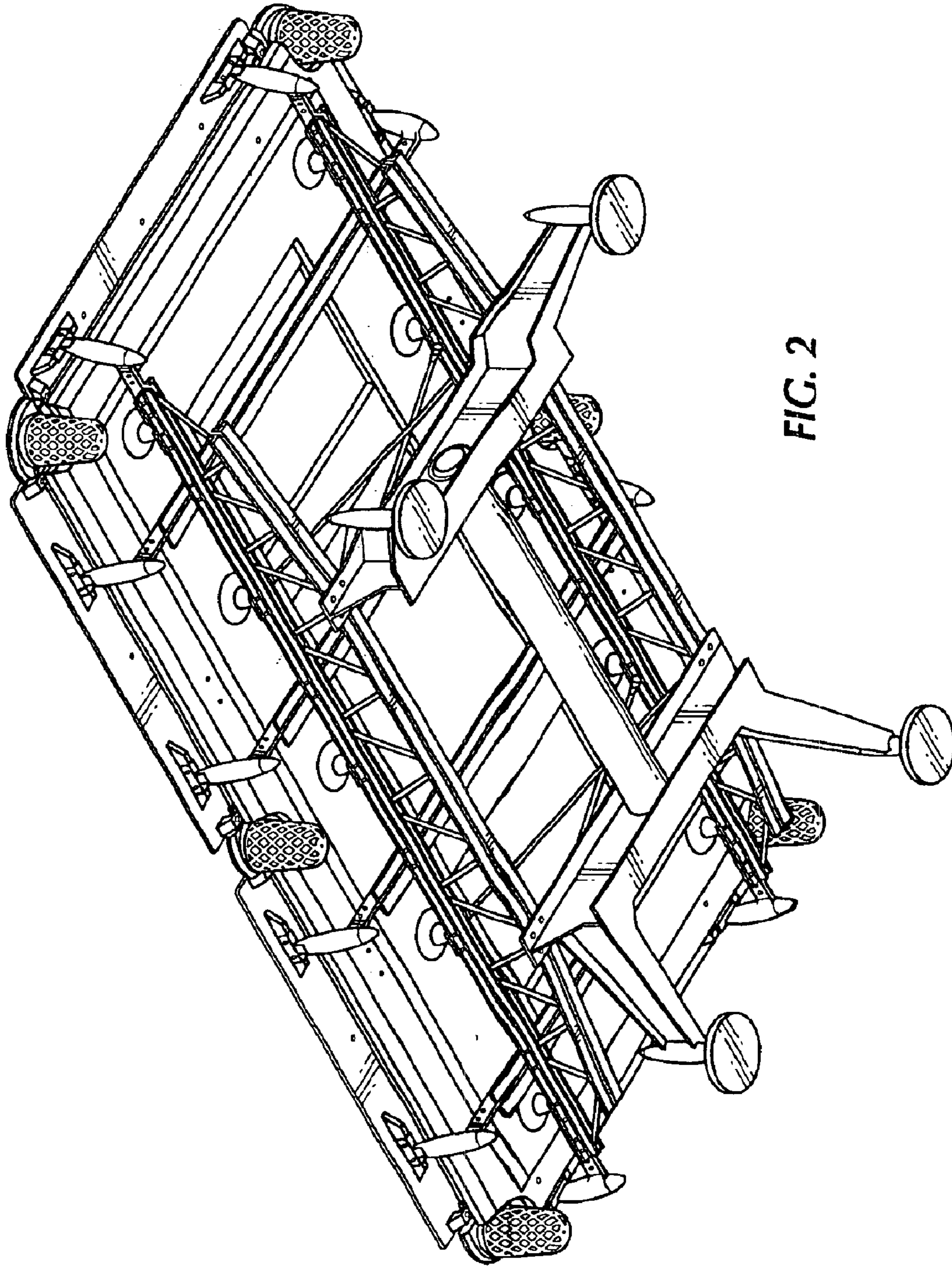


FIG. 2

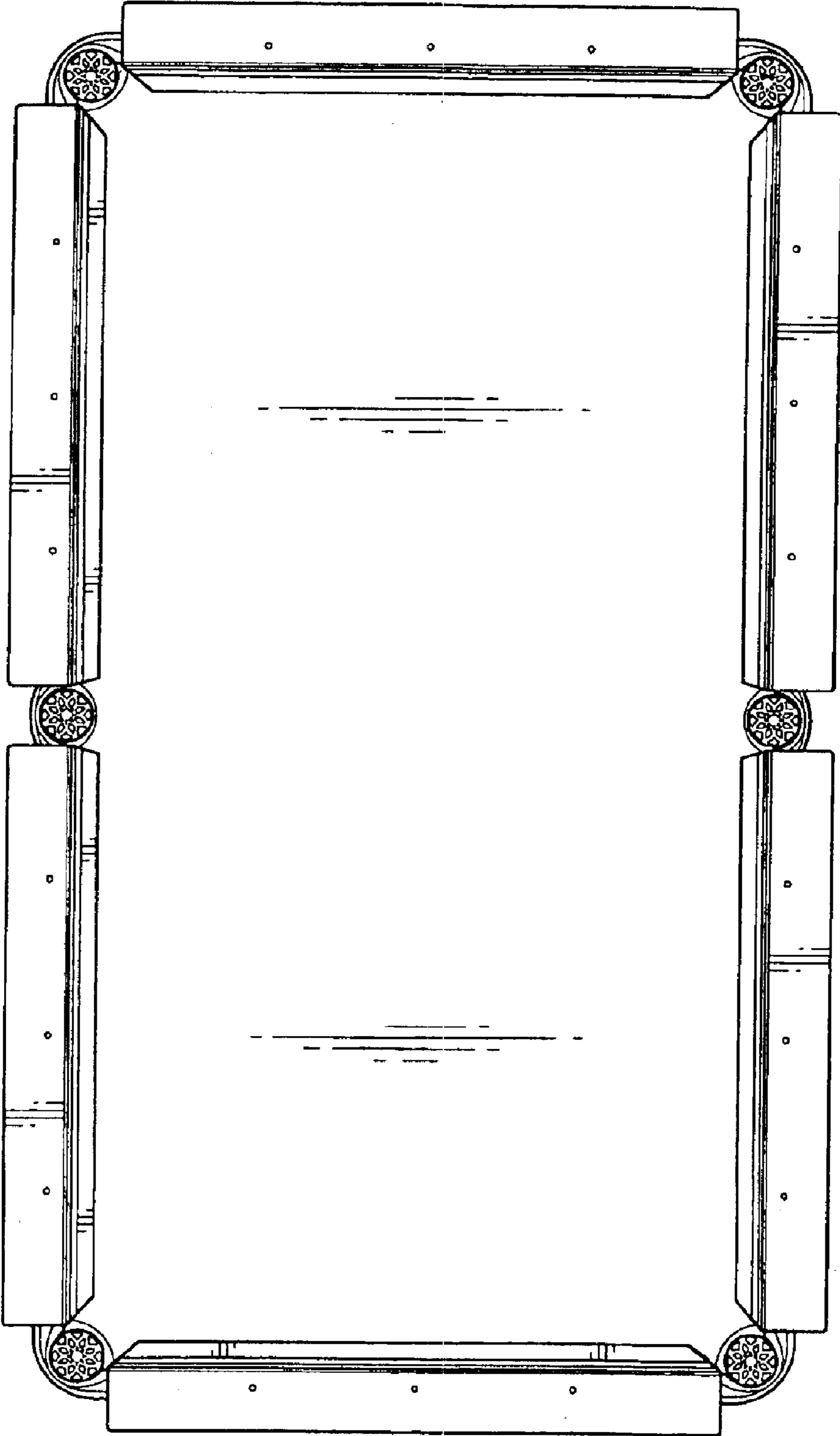


FIG. 3

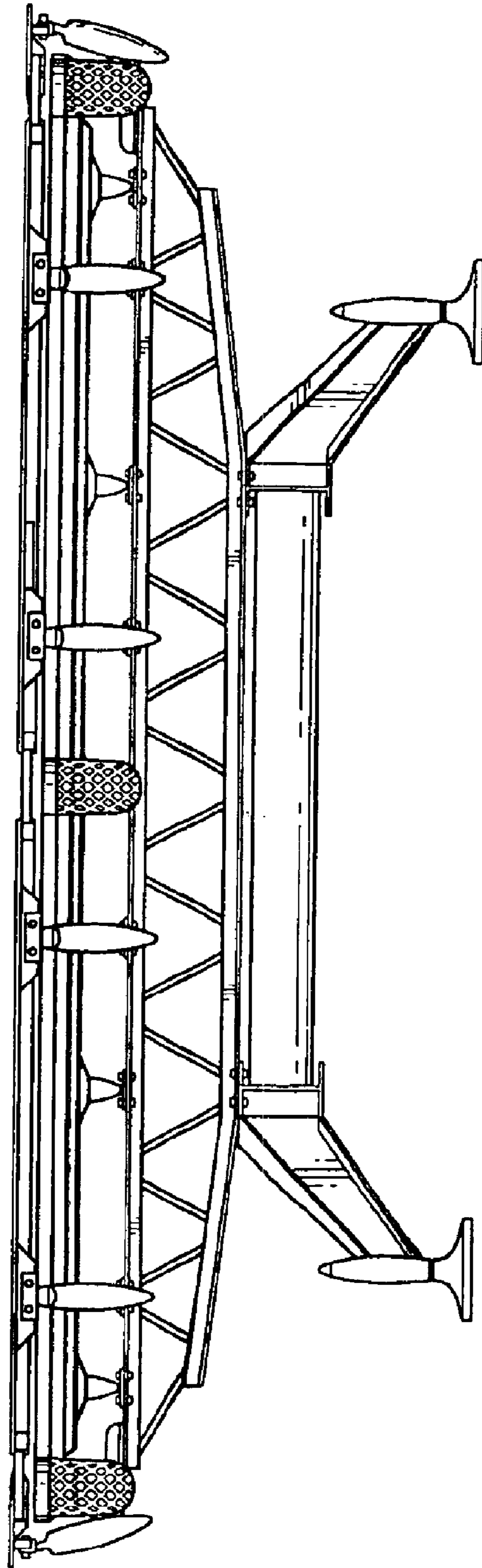


FIG. 4

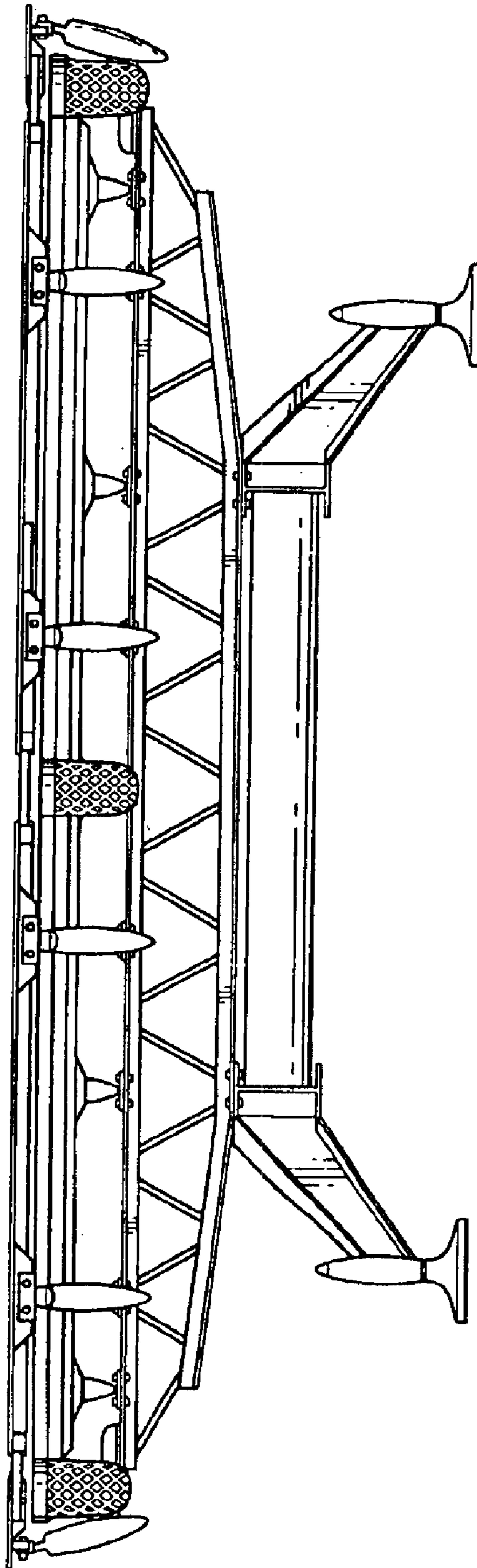


FIG. 5

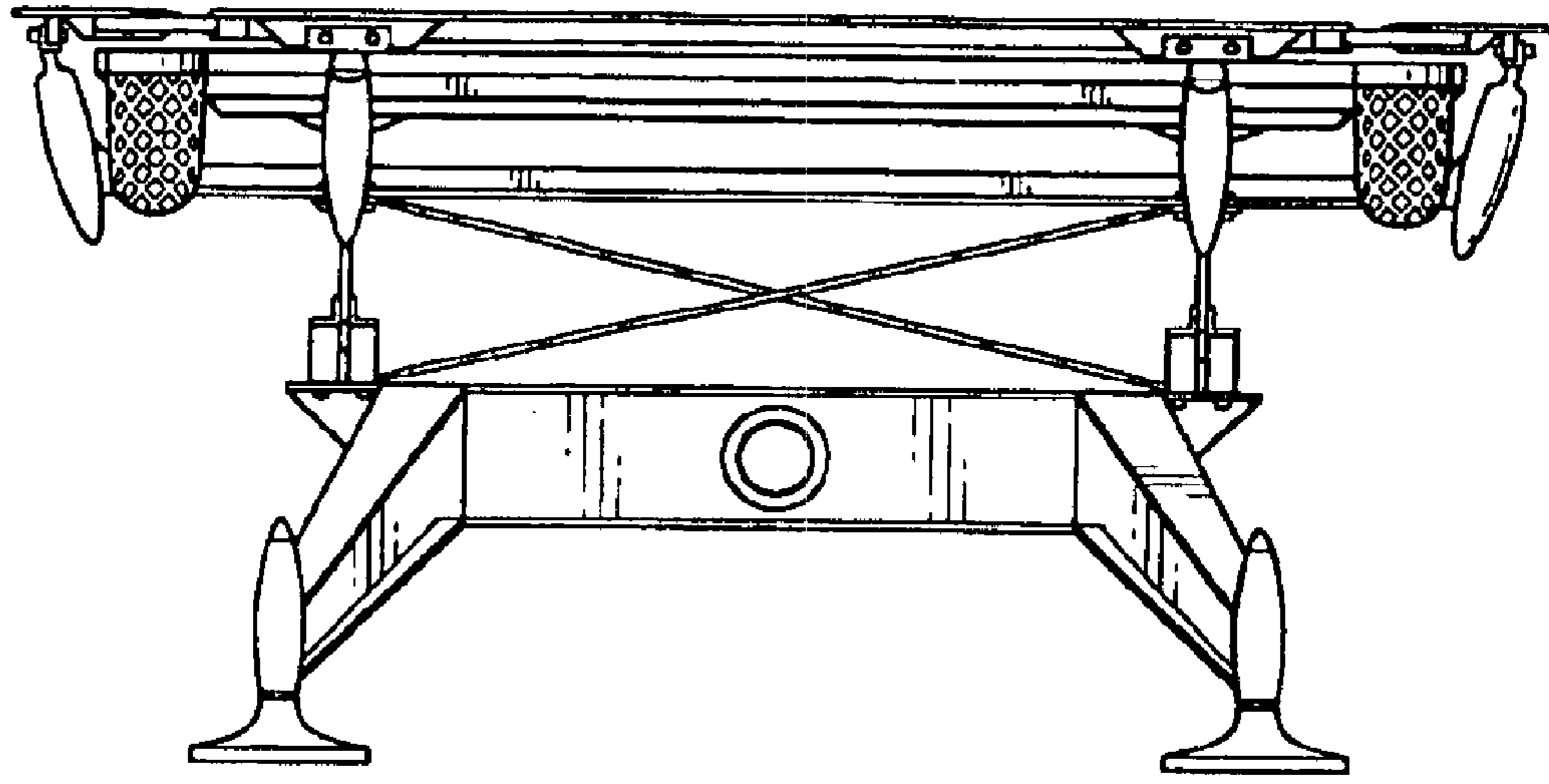


FIG. 6

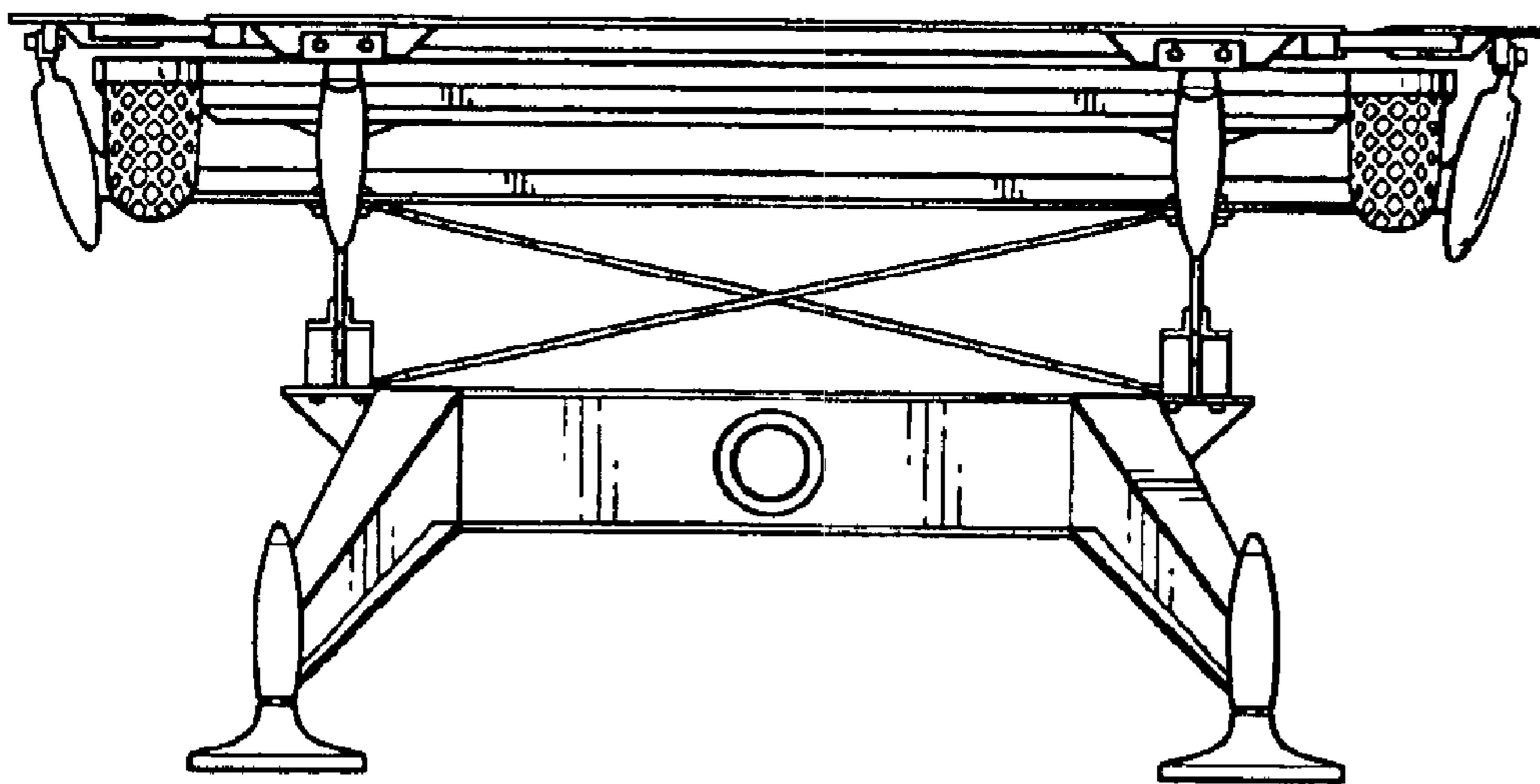


FIG. 7