

US00D504930S

(12) **United States Design Patent**  
**Joung et al.**

(10) **Patent No.:** **US D504,930 S**  
(45) **Date of Patent:** **\*\* May 10, 2005**

(54) **ROLLER SLED**

(76) Inventors: **Woo Kyung Joung**, Pureun Village  
#111-603, Kamjung-dong 686, Kimpo  
City, Kyunggi-do (KR); **Chun Sik  
Ham**, Samsung Suite #806,  
Janghang-dong 750, Ilsan-gu, Koyang  
City, Kyunggi-do (KR)

(\*\*) **Term:** **14 Years**

(21) **Appl. No.:** **29/208,381**

(22) **Filed:** **Jun. 28, 2004**

(51) **LOC (7) Cl.** ..... **21-02**

(52) **U.S. Cl.** ..... **D21/765**

(58) **Field of Search** ..... D21/760-771;  
D12/11; 280/87.042, 87.041, 842, 843,  
11.19, 11.27, 11.25, 87.01, 87.021

(56) **References Cited**

**U.S. PATENT DOCUMENTS**

D279,920 S \* 7/1985 Gardinier et al. .... D12/11  
5,125,687 A \* 6/1992 Hwang ..... 280/87.042  
D355,945 S \* 2/1995 Homma ..... D21/765  
5,566,956 A \* 10/1996 Wang ..... 280/87.042  
D395,479 S \* 6/1998 Gamzo ..... D21/765

5,803,473 A \* 9/1998 Bouden ..... 280/11.19  
5,826,895 A \* 10/1998 Bradfield ..... 280/11.28  
5,984,328 A \* 11/1999 Tipton ..... 280/87.042  
6,254,113 B1 \* 7/2001 Dornan ..... 280/87.042  
6,428,022 B1 \* 8/2002 Namiki ..... 280/87.042  
D465,003 S \* 10/2002 Ohrvall et al. .... D21/760  
6,568,695 B2 \* 5/2003 Dornan ..... 280/11.25

\* cited by examiner

*Primary Examiner*—Raphael Barkai

(74) *Attorney, Agent, or Firm*—Cheryl H Agris

(57) **CLAIM**

The ornamental design for a roller sled, as shown and described.

**DESCRIPTION**

FIG. 1 is a perspective view of the roller sled which expresses the entire view of our design. FIG. 2 is a front view of the roller sled. FIG. 3 is a rear view of the roller sled. FIG. 4 is a left side view of the roller sled. FIG. 5 is a right side view of the roller sled. FIG. 6 is a plan view of the roller sled; and, FIG. 7 is a bottom view of the roller sled.

**1 Claim, 7 Drawing Sheets**

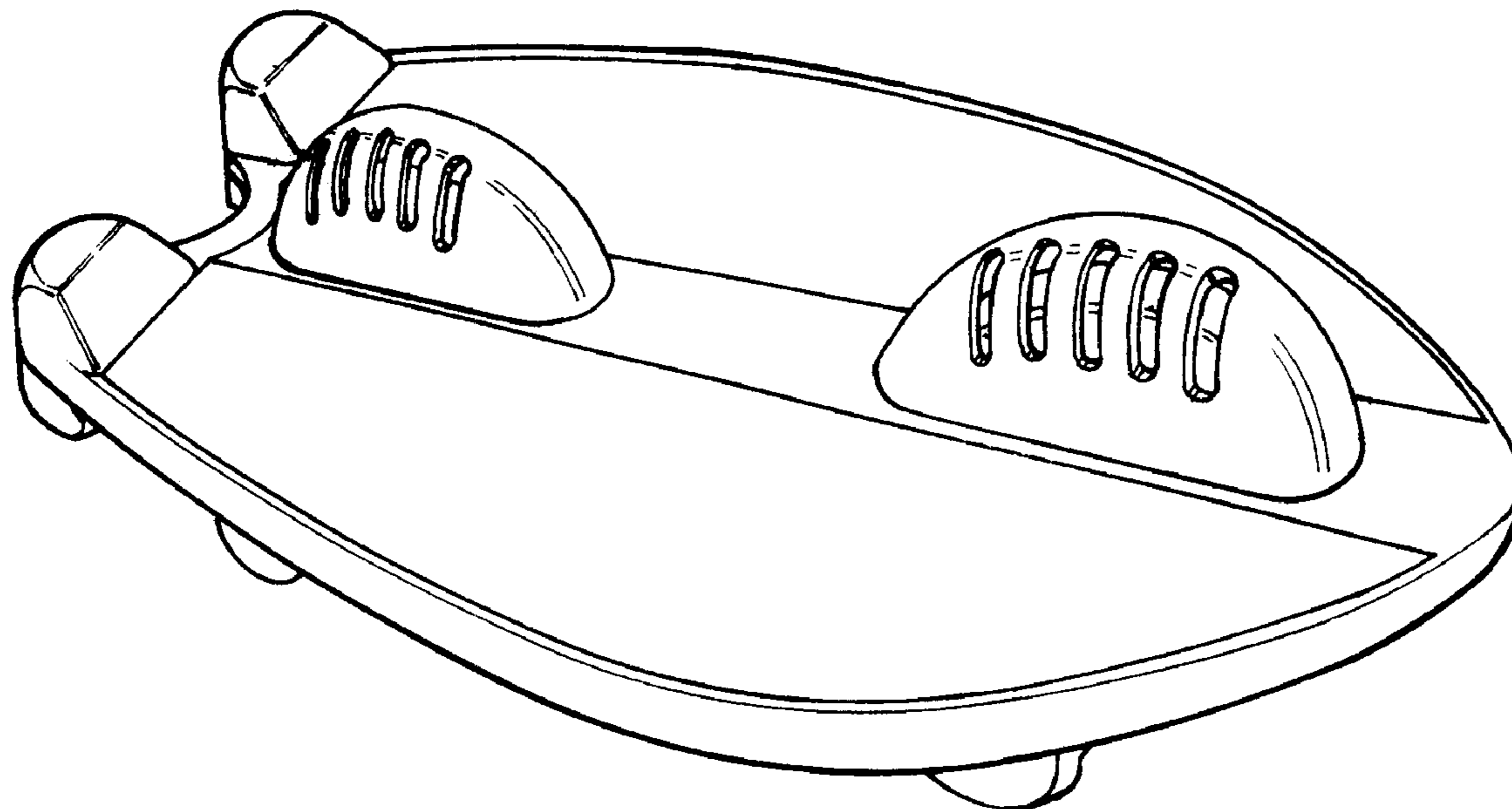


FIGURE 1

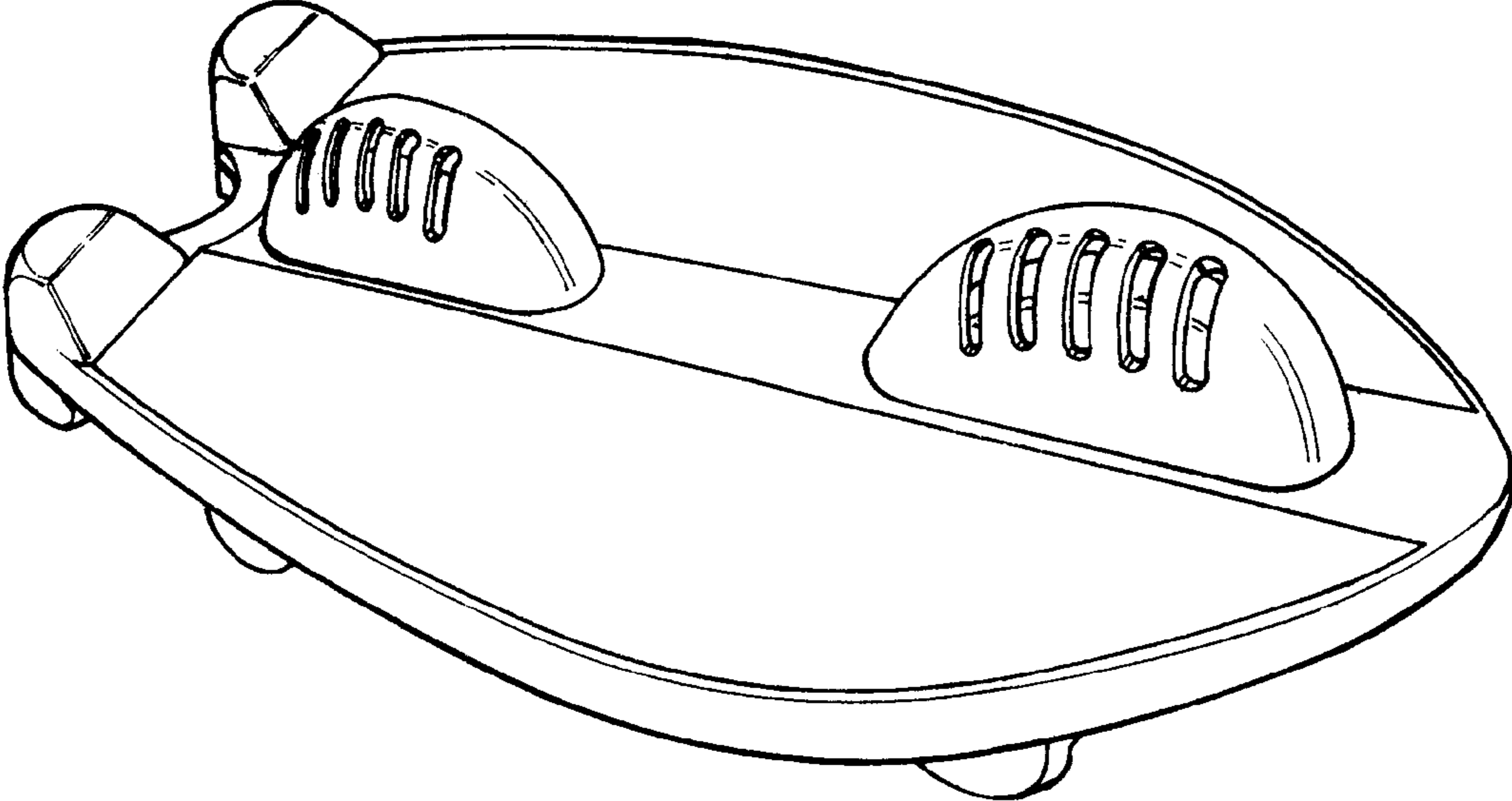


FIGURE 2

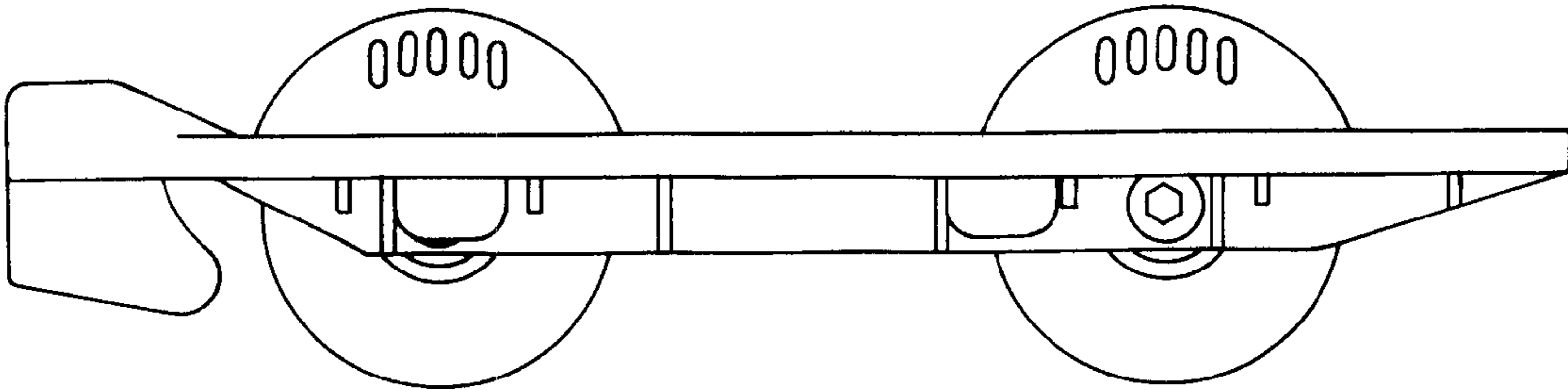


FIGURE 3

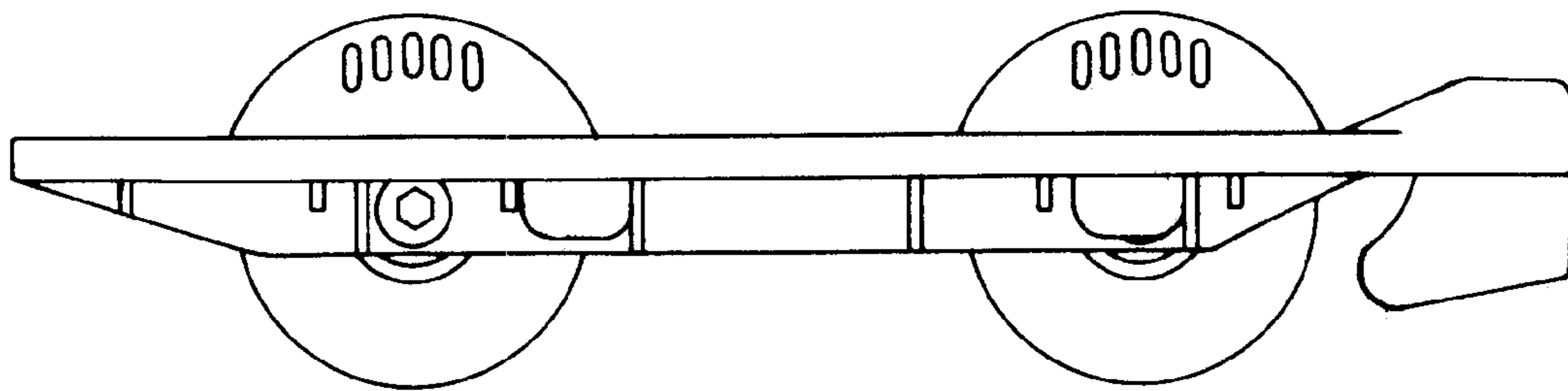


FIGURE 4

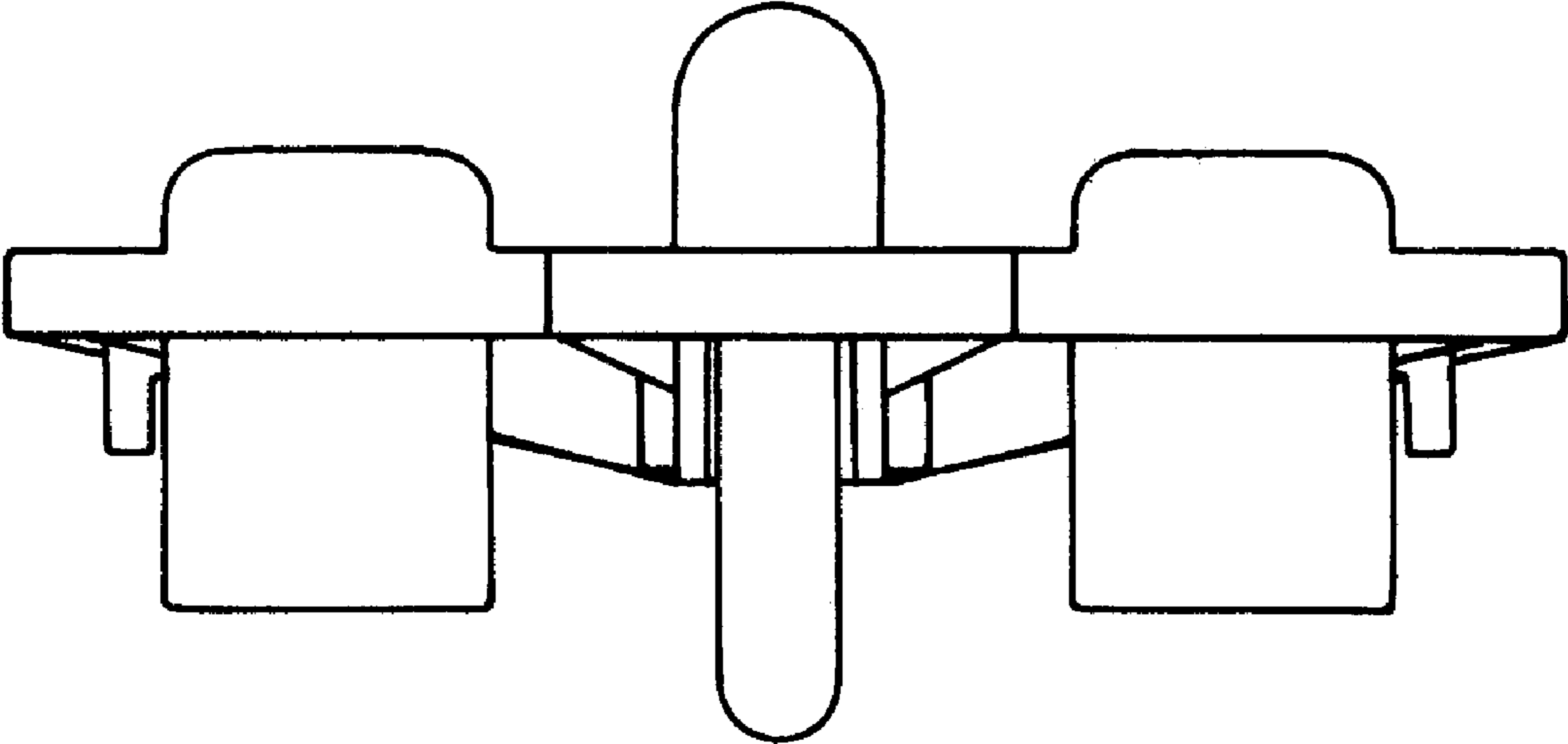


FIGURE 5

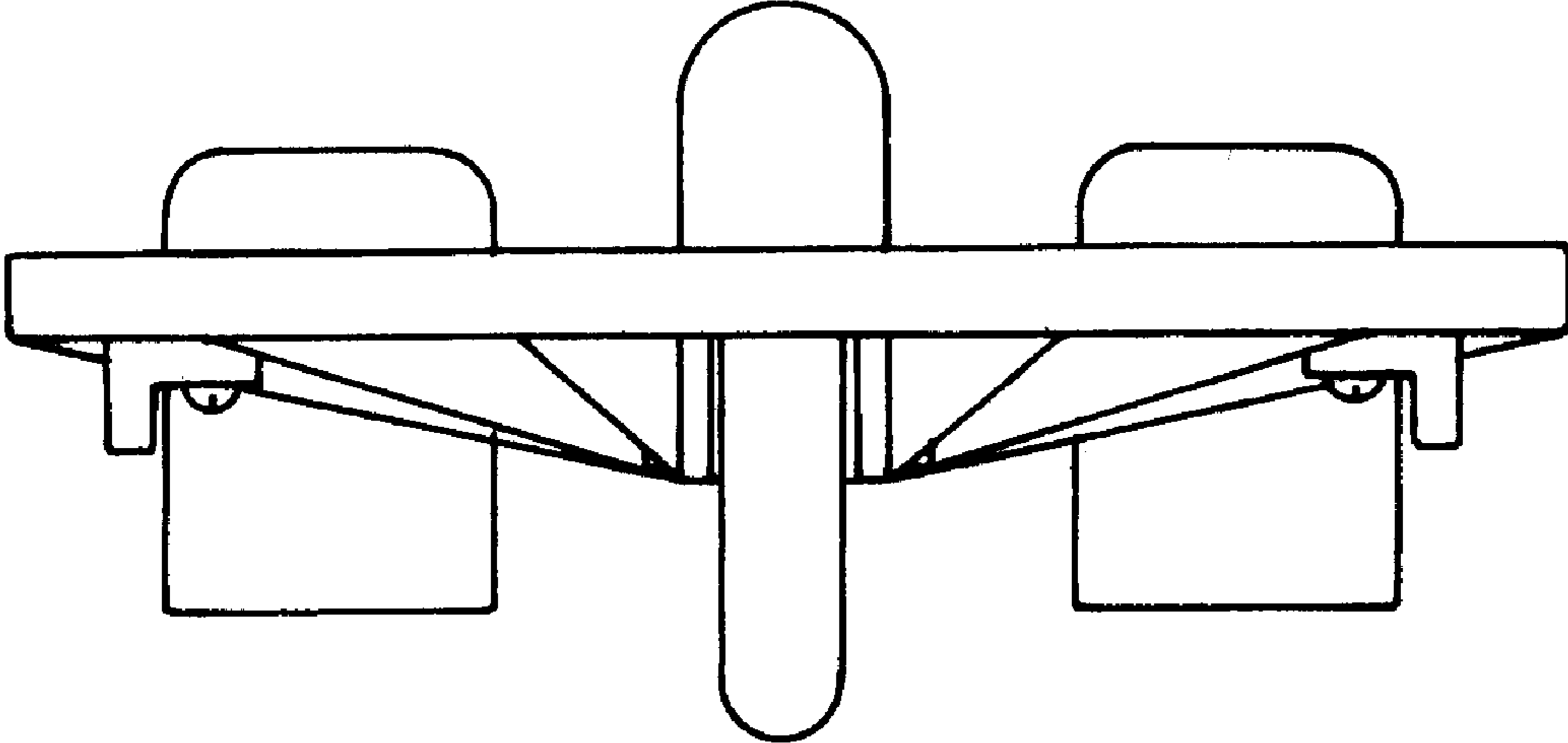


FIGURE 6

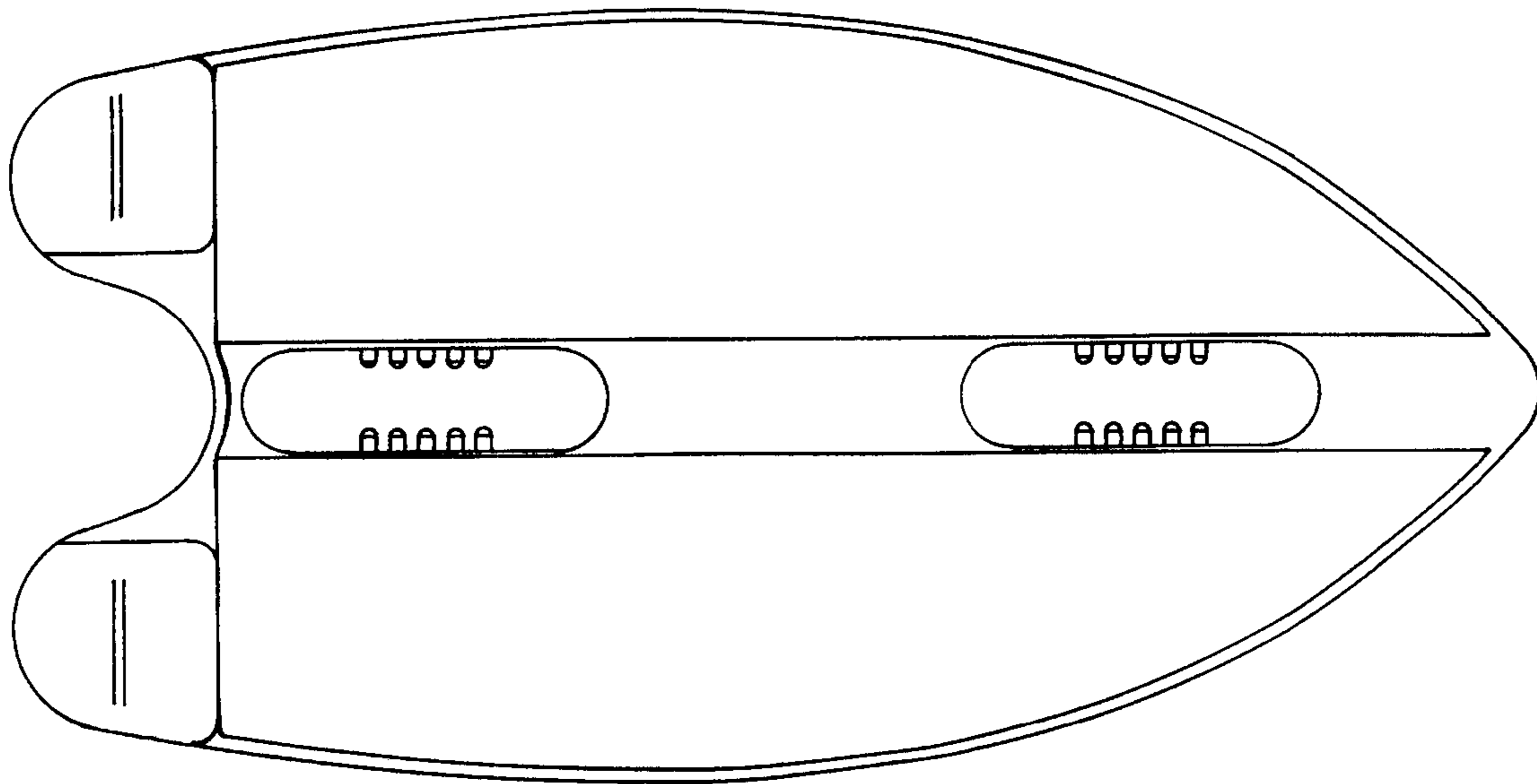


FIGURE 7

