



US00D504923S

(12) **United States Design Patent**
Harms et al.

(10) **Patent No.: US D504,923 S**

(45) **Date of Patent: ** May 10, 2005**

(54) **DUMBBELL**

(75) Inventors: **Robert E. Harms**, Houston, TX (US);
Eugenio Segovia, Jr., Bellville, TX (US)

(73) Assignee: **Technical Knockout, Inc.**, Pompano Beach, FL (US)

(**) Term: **14 Years**

(21) Appl. No.: **29/207,240**

(22) Filed: **Sep. 17, 2004**

Related U.S. Application Data

(62) Division of application No. 29/174,172, filed on Jan. 13, 2003, now Pat. No. Des. 496,414.

(51) **LOC (7) Cl.** **21-02**

(52) **U.S. Cl.** **D21/681**

(58) **Field of Search** D21/662, 680,
D21/681, 683, 682, 684; 482/106, 107,
108, 109

(56) **References Cited**

U.S. PATENT DOCUMENTS

4,361,324 A * 11/1982 Baroi 482/108
D279,495 S * 7/1985 Barbeau D21/681
D405,484 S * 2/1999 Rojas et al. D21/681
6,014,078 A * 1/2000 Rojas et al. 340/568.6

6,099,443 A * 8/2000 Landfair 482/108
6,120,420 A * 9/2000 Pearson et al. 482/108
6,132,344 A * 10/2000 Vanderbleek 482/108
6,142,918 A * 11/2000 Liu 482/108
D444,516 S * 7/2001 Pearson et al. D21/681

* cited by examiner

Primary Examiner—Philip S. Hyder

(74) *Attorney, Agent, or Firm*—Malin, Haley & DiMaggio, P.A.

(57) **CLAIM**

The ornamental design for a dumbbell, as shown and described.

DESCRIPTION

FIG. 1 is a perspective view of our single design concept, showing our new design;

FIG. 2 is a top plan view of our single design concept, the bottom plan, front elevational view and back elevational view being identical to the view thereof;

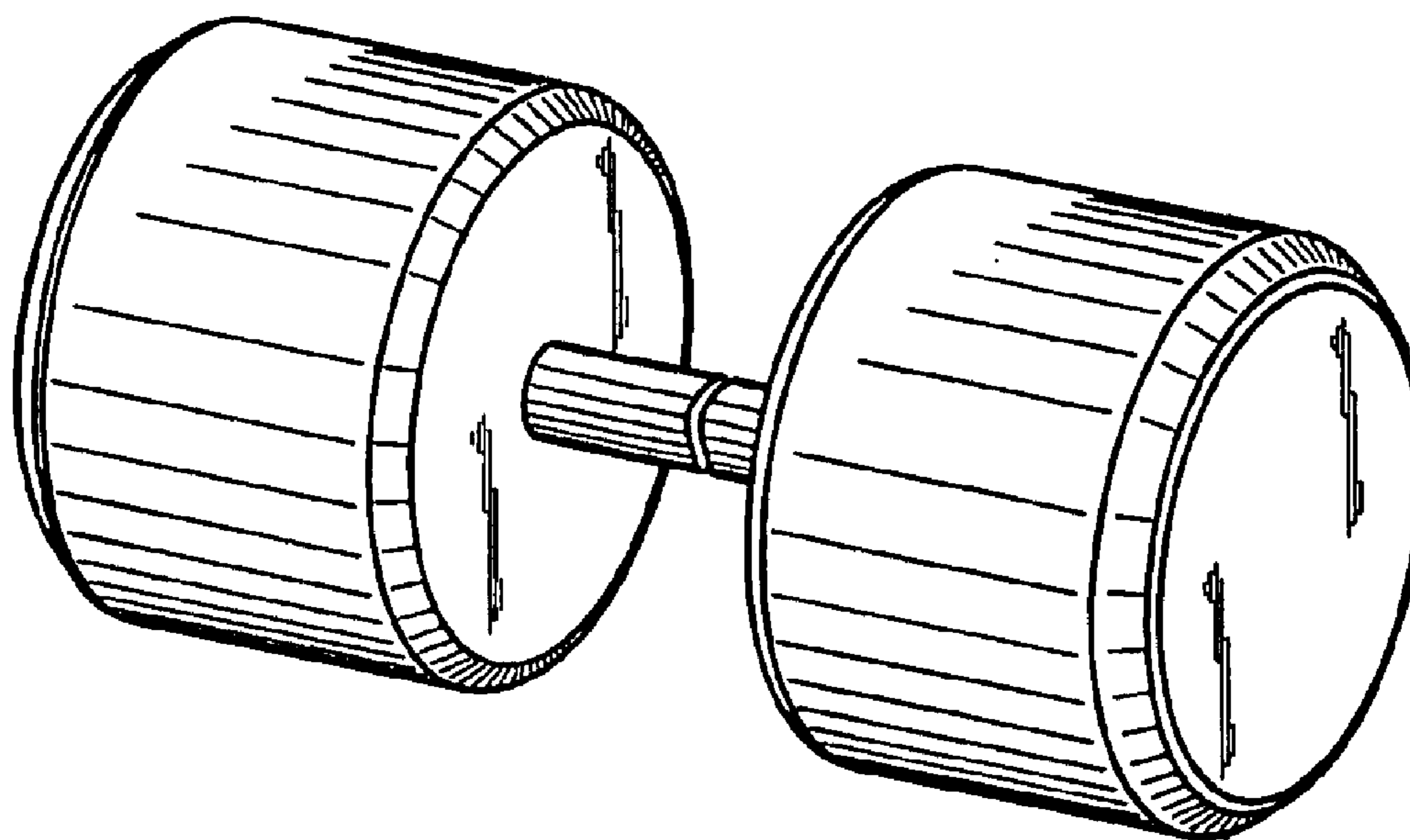
FIG. 3 is an perspective view of an alternative embodiment of our single design concept, showing our new design;

FIG. 4 is a top plan view of our single design concept, the bottom plan, front elevational view and back elevational view being identical to the view thereof;

FIG. 5 is an end view of FIG. 1; and,

FIG. 6 is an end view of FIG. 3.

1 Claim, 2 Drawing Sheets



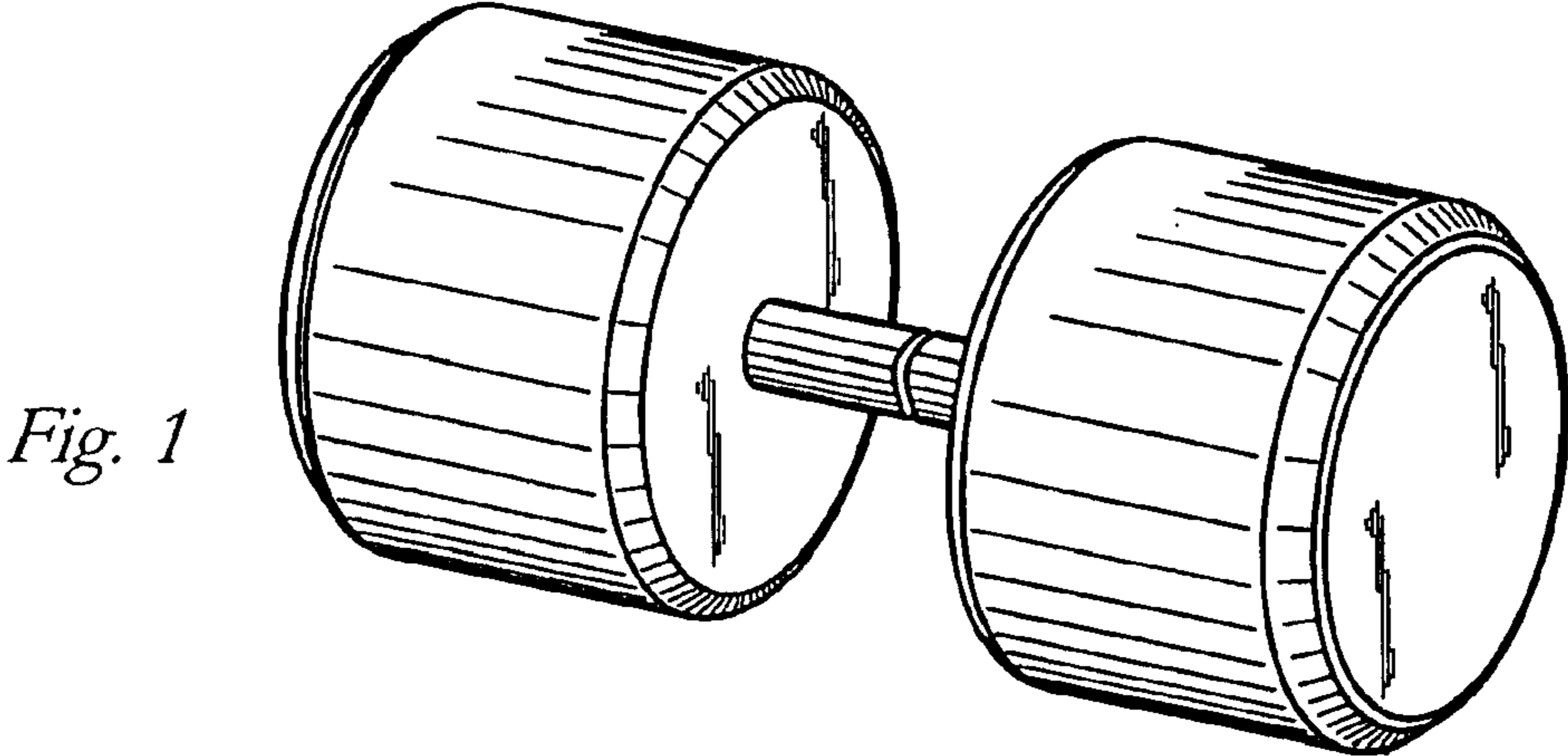


Fig. 1

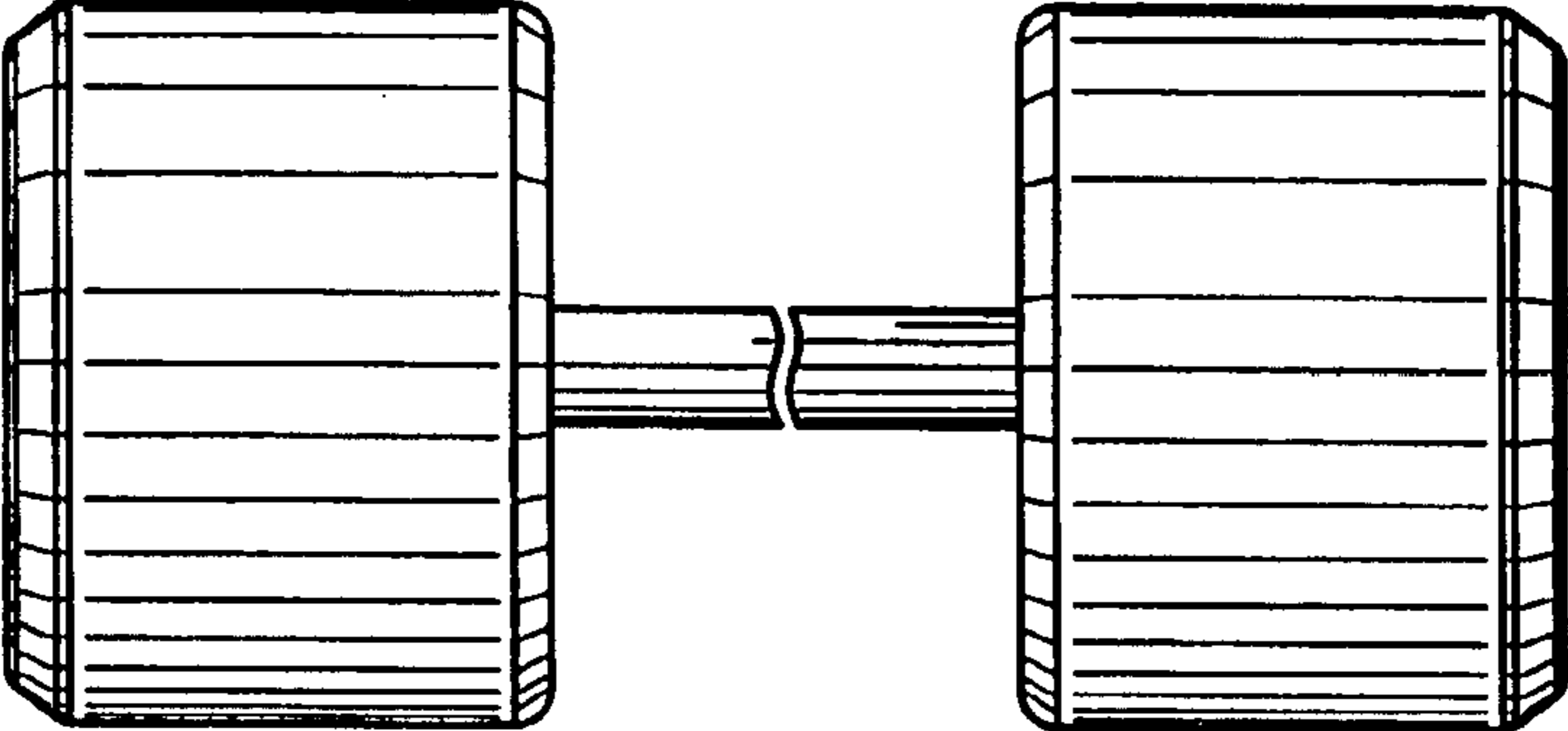


Fig. 2

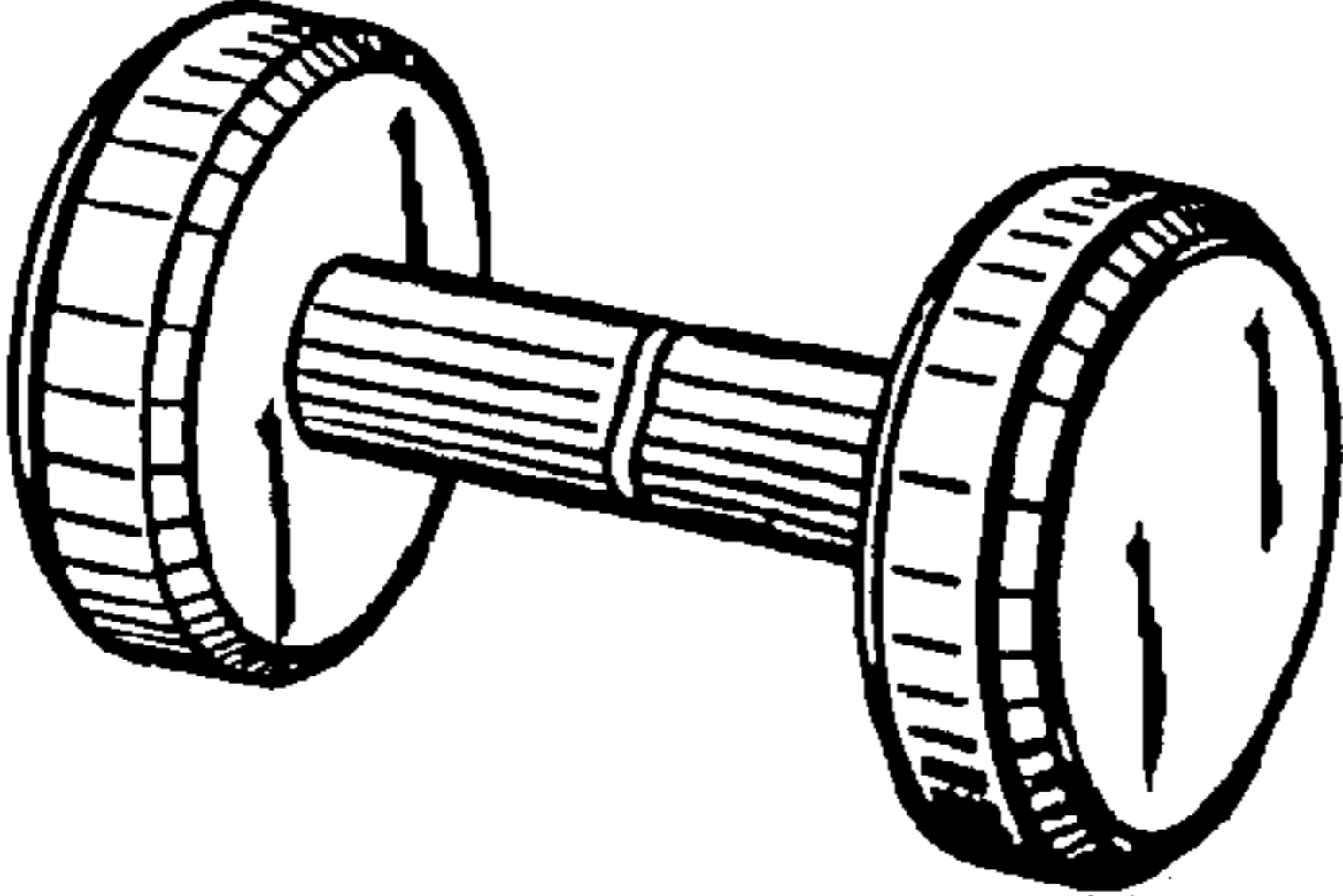


Fig. 3

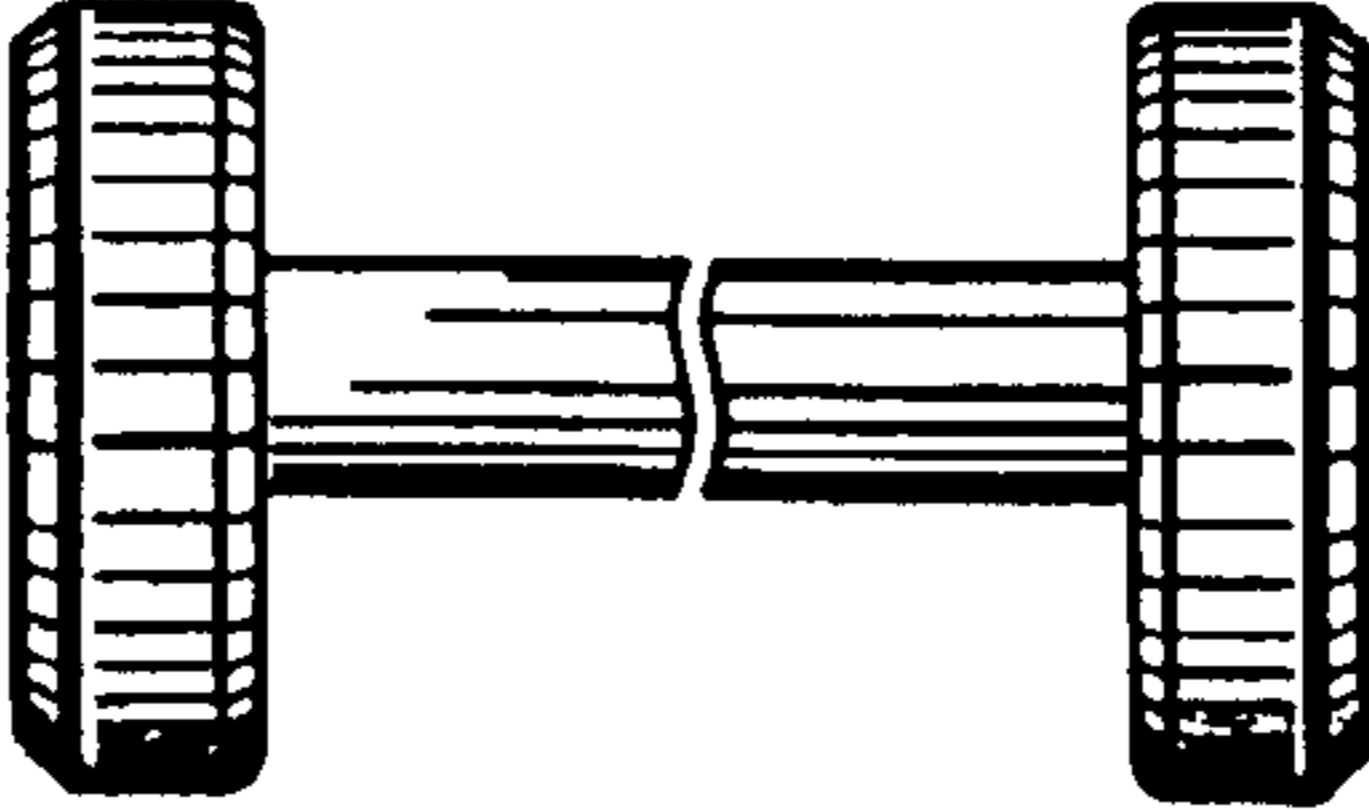


Fig. 4

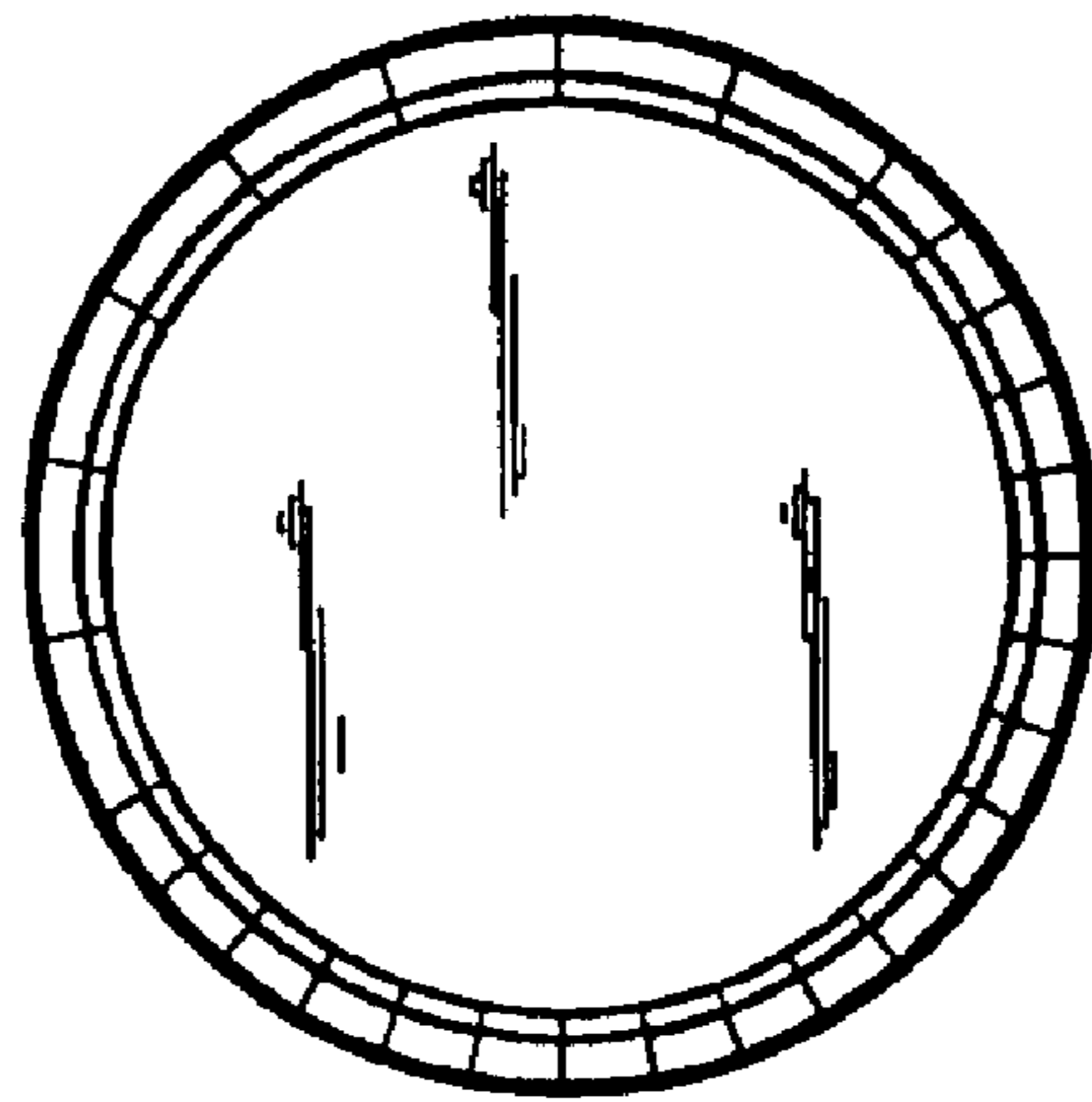


Fig. 5

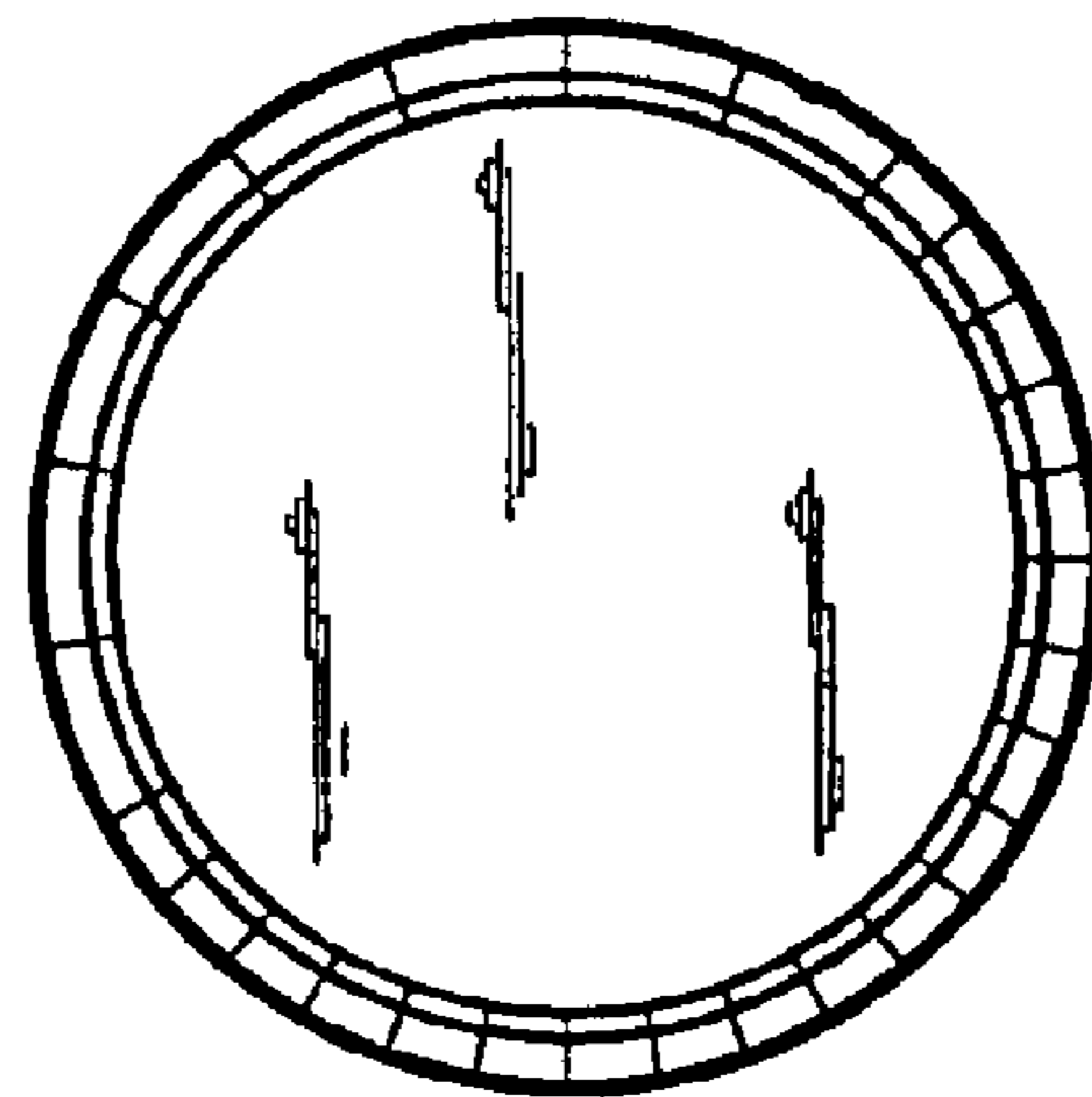


Fig. 6