



US00D504921S

(12) **United States Design Patent**
Wei

(10) **Patent No.: US D504,921 S**

(45) **Date of Patent: ** May 10, 2005**

(54) **REMOTE CONTROL TOY**

(75) **Inventor: Lim Ming Wei, Prai Penang (MY)**

(73) **Assignee: Nikko Electronics Bhd., Kuala Lumpur (MY)**

(**) **Term: 14 Years**

(21) **Appl. No.: 29/198,870**

(22) **Filed: Feb. 5, 2004**

(51) **LOC (7) Cl. 21-01**

(52) **U.S. Cl. D21/542**

(58) **Field of Search D21/542-547;**
D12/300, 310-318; 446/153-154, 160,
163-165; 114/56.1, 57, 61.1

(56) **References Cited**

U.S. PATENT DOCUMENTS

D159,053 S	*	6/1950	Derham	446/160
D175,088 S	*	7/1955	McRoskey	D12/312
3,918,382 A	*	11/1975	Austin	D12/310
D238,797 S	*	2/1976	Goldfarb et al.	D12/310
D290,948 S	*	7/1987	Hledin	D12/304
D307,574 S	*	5/1990	Pipkorn	D12/314
D316,537 S	*	4/1991	Prystupa	D12/300
D329,476 S	*	9/1992	Strickland et al.	D21/542

D332,077 S	*	12/1992	Parker	D12/300
5,567,188 A	*	10/1996	Allebosch	114/61.1
D397,988 S	*	9/1998	Brooks et al.	D12/315

OTHER PUBLICATIONS

Tower talk, p. 2, Aug. 31, 1991.*

* cited by examiner

Primary Examiner—Raphael Barkai

(74) *Attorney, Agent, or Firm*—Young Law Firm, P.C.

(57) **CLAIM**

The ornamental design for a remote control toy, as shown.

DESCRIPTION

FIG. 1 is a perspective view of a remote control toy according to the present invention.

FIG. 2 is a front view of the remote control toy of FIG. 1.

FIG. 3 is a rear view of the remote control toy of FIG. 1.

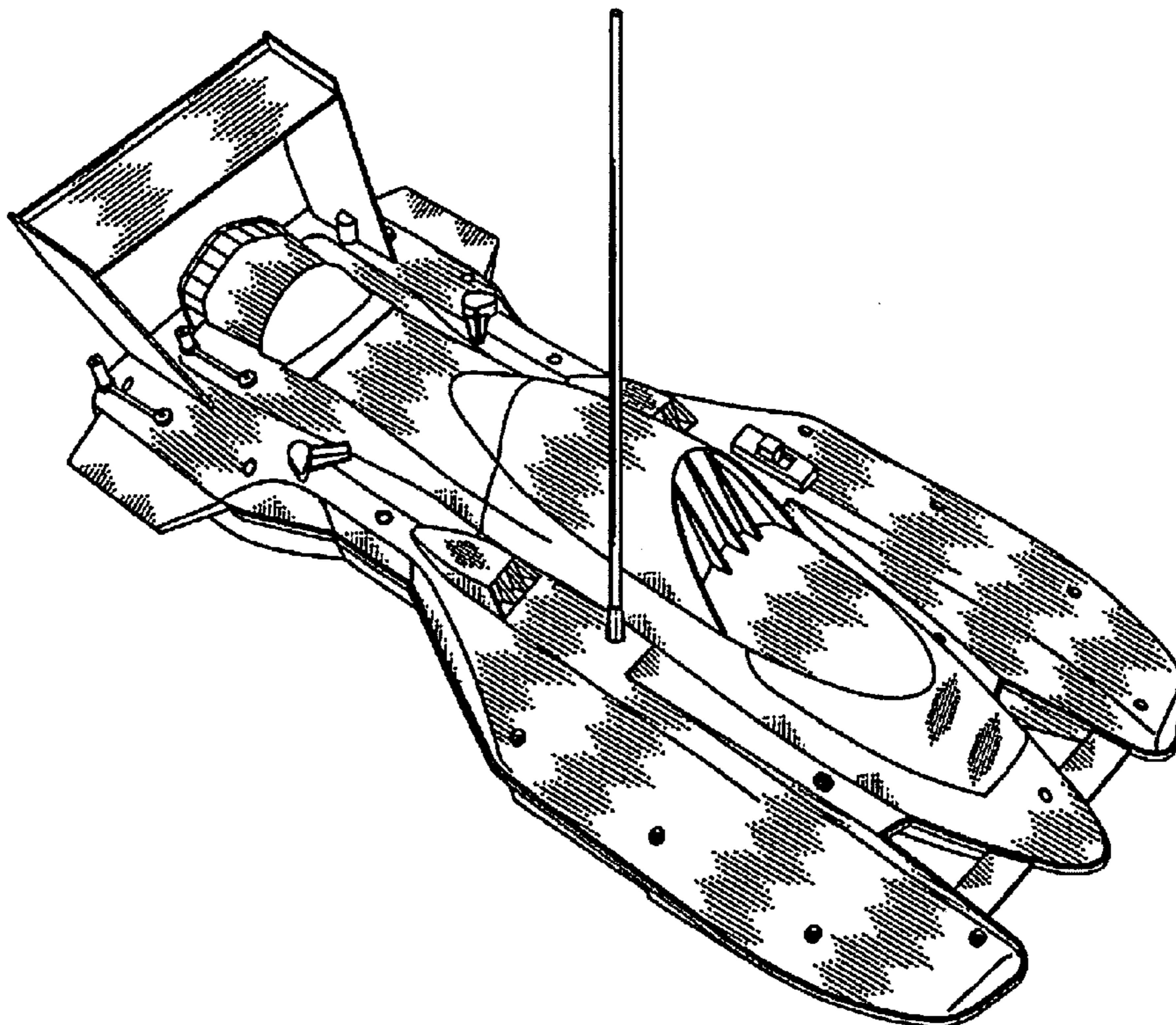
FIG. 4 is a top view of the remote control toy of FIG. 1.

FIG. 5 is a bottom view of the remote control toy of FIG. 1.

FIG. 6 is a left side view of the remote control toy of FIG. 1; and,

FIG. 7 is a right side view of the remote control toy of FIG. 1.

1 Claim, 7 Drawing Sheets



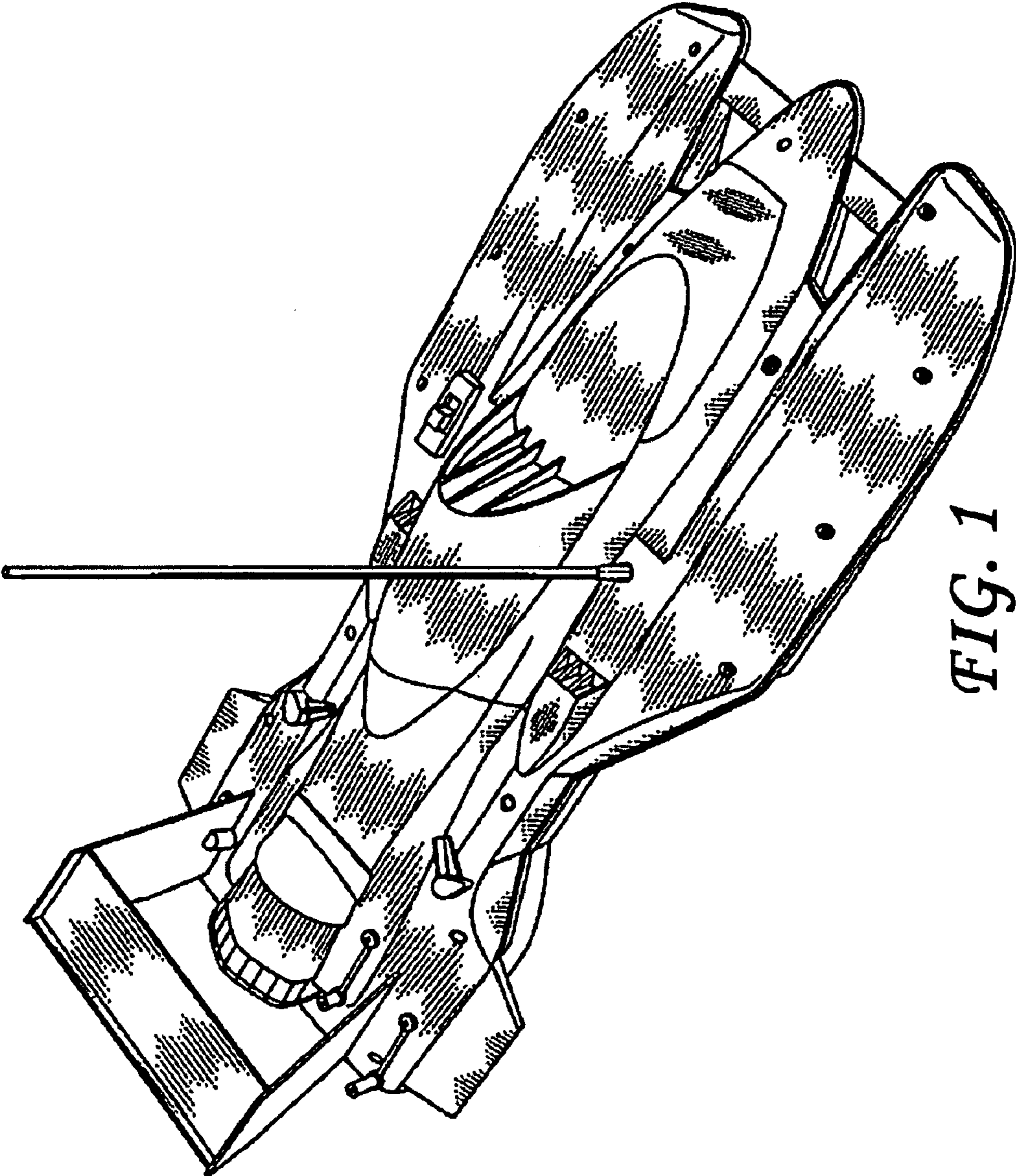


FIG. 1

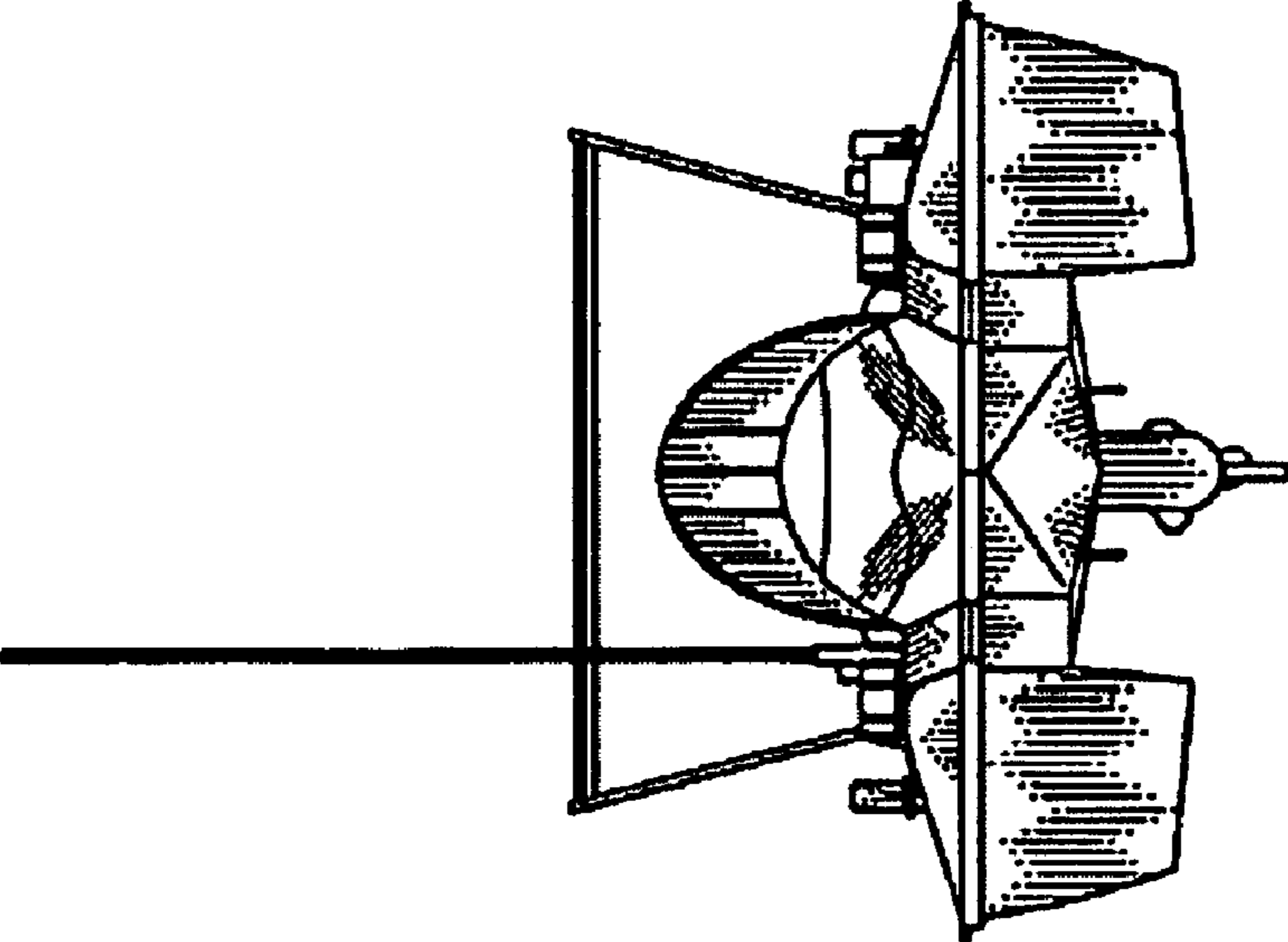


FIG. 2

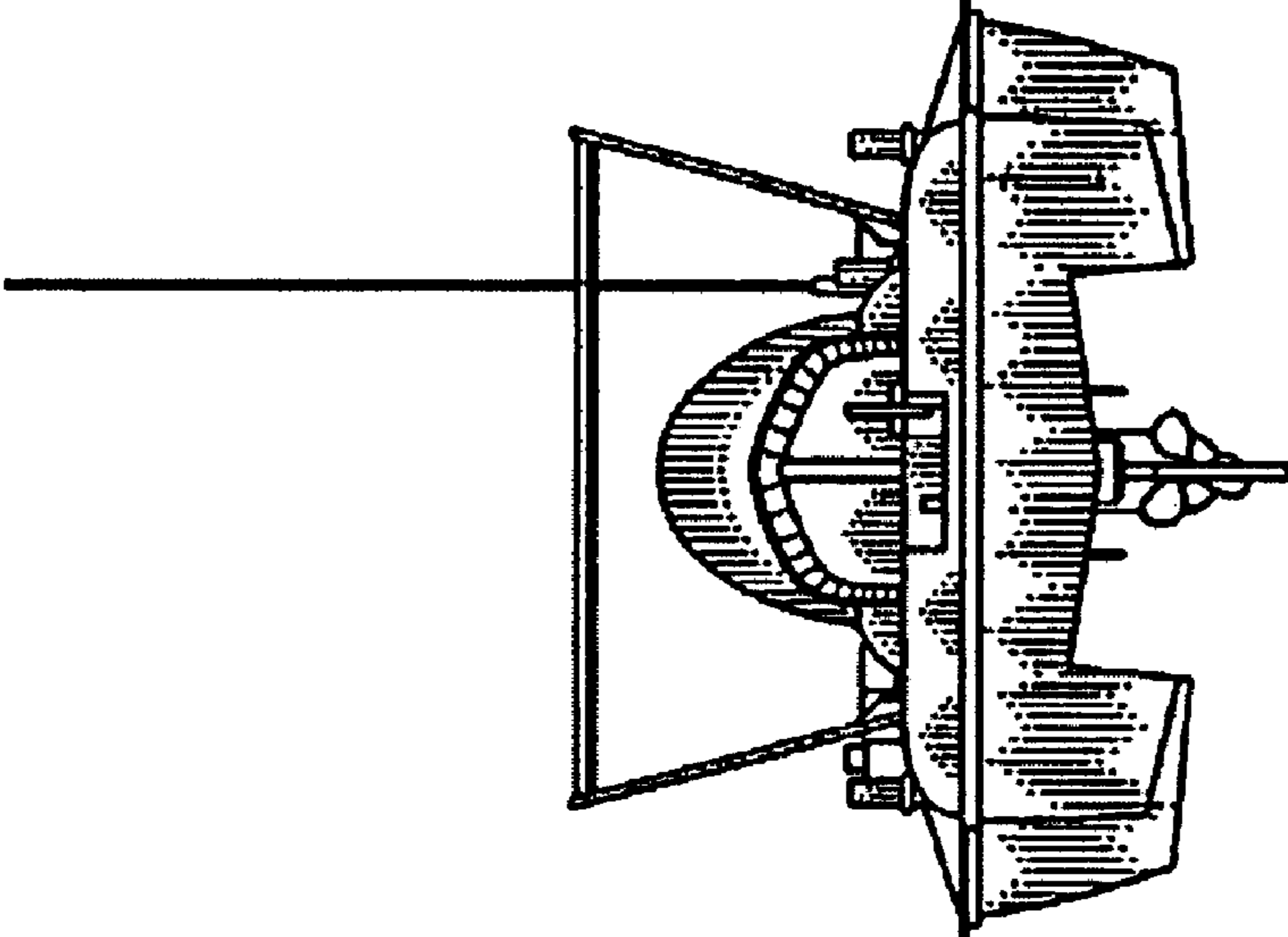


FIG. 3

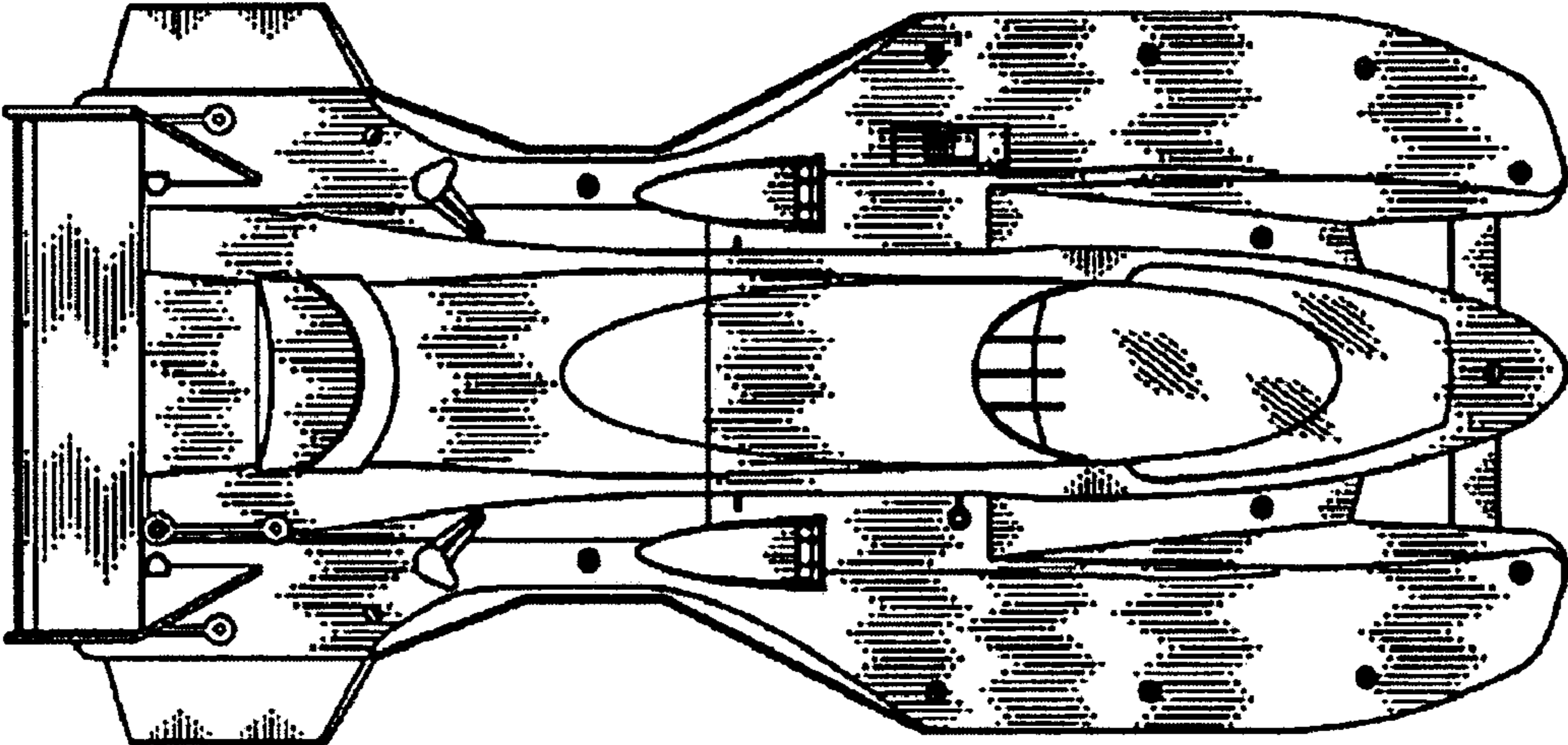


FIG. 4

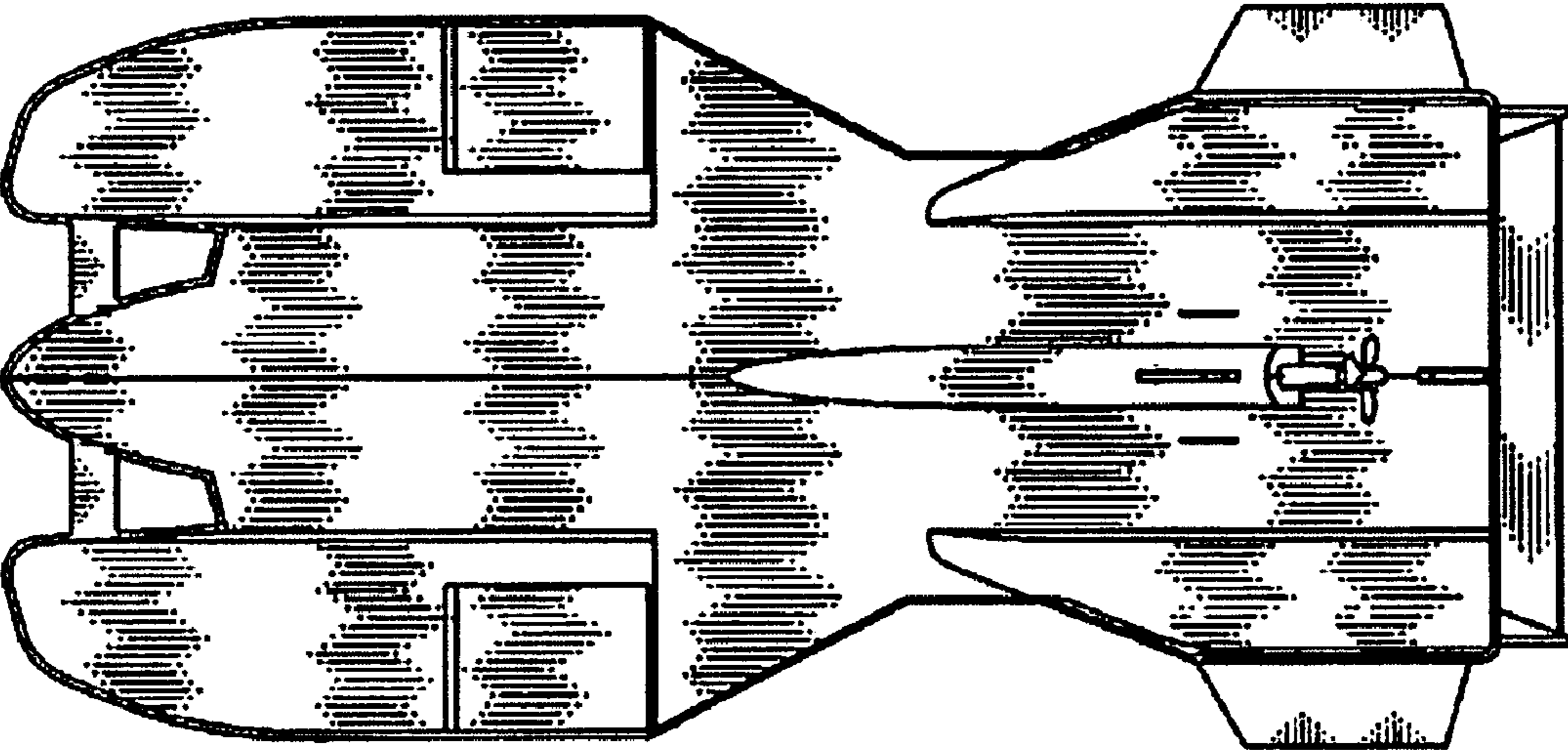


FIG. 5

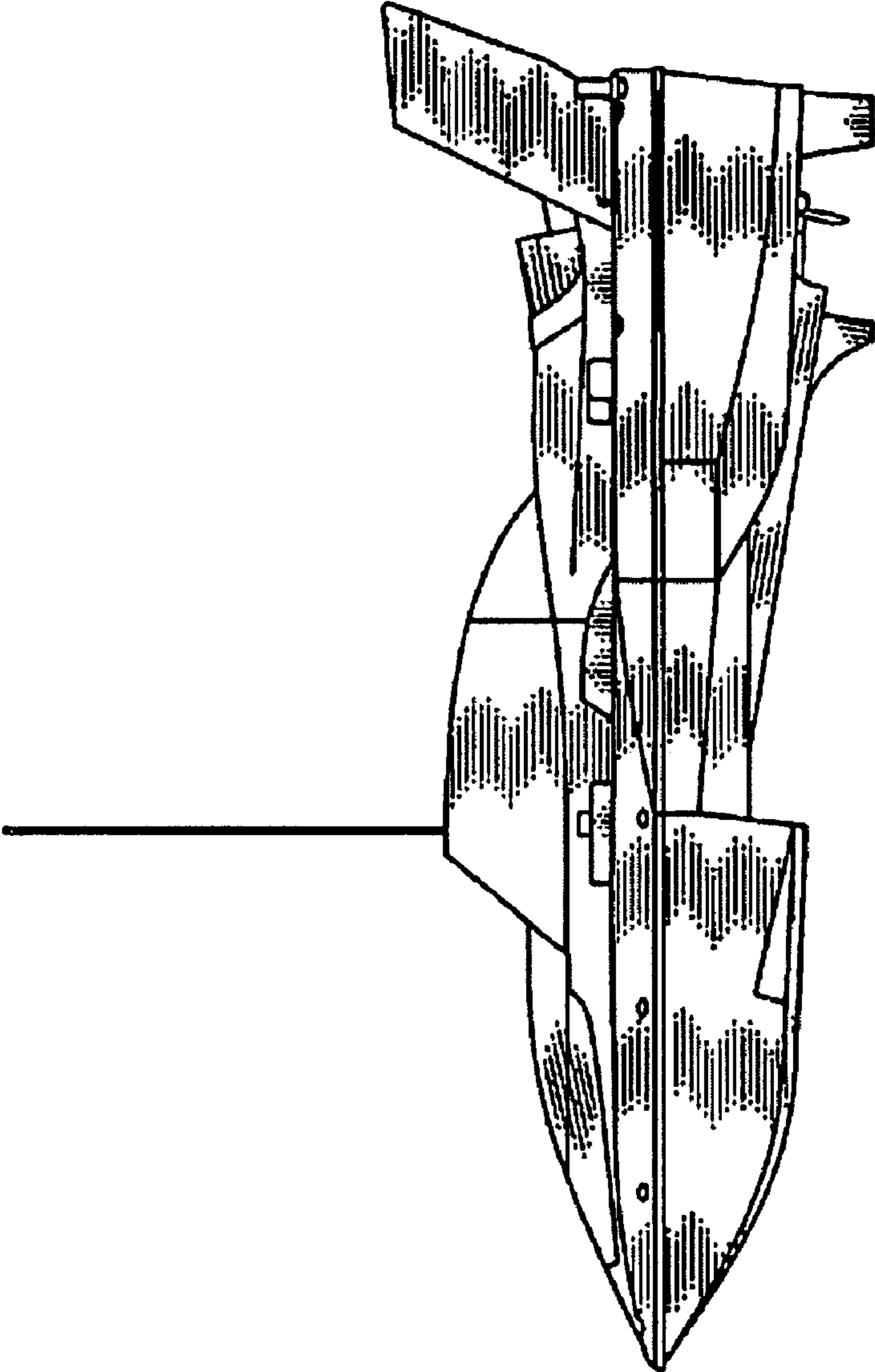


FIG. 6

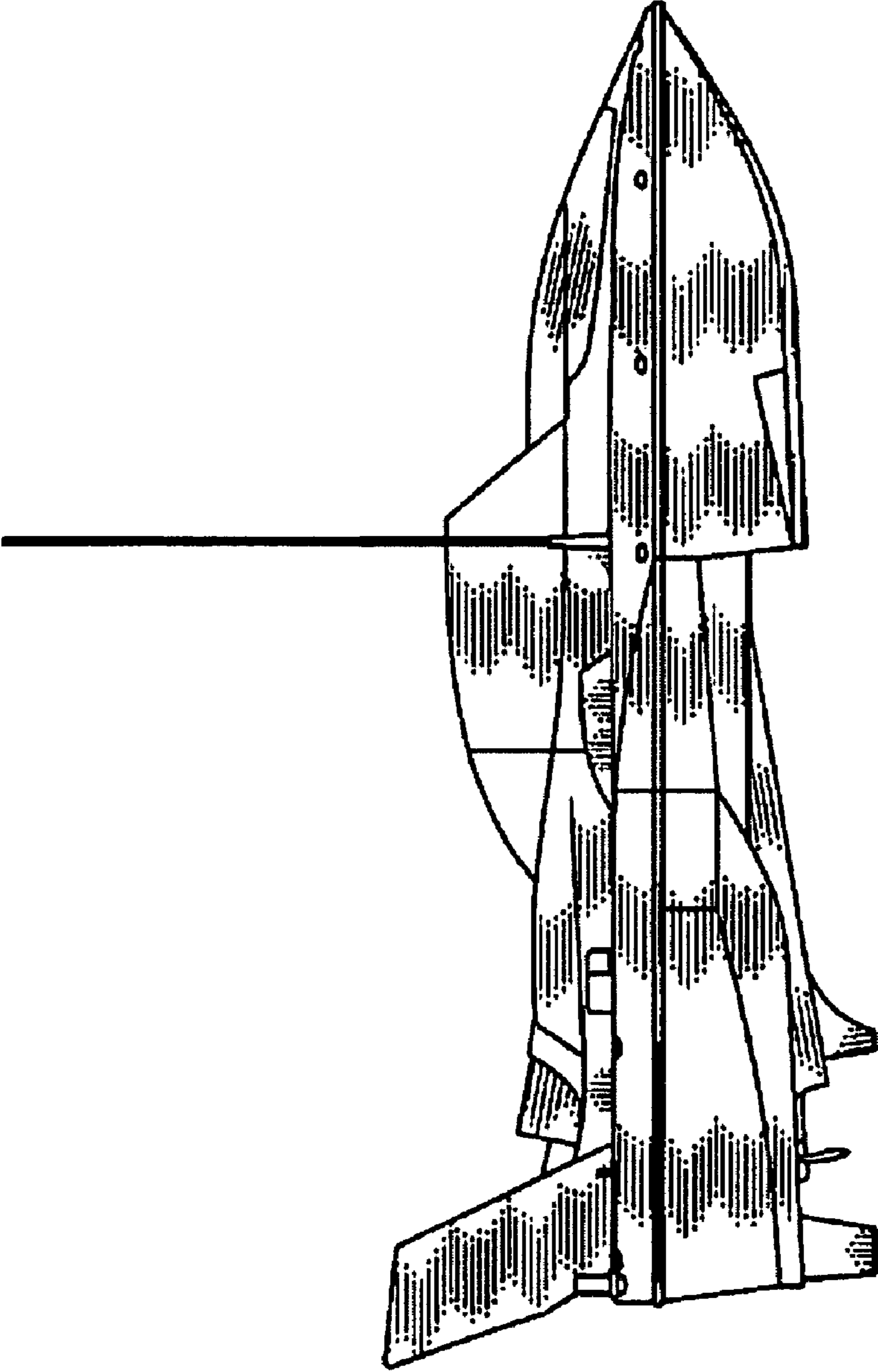


FIG. 7