



US00D504920S

(12) **United States Design Patent**
Hong

(10) **Patent No.:** **US D504,920 S**
(45) **Date of Patent:** **** May 10, 2005**

(54) **SCOOTER**

6,416,060 B1 * 7/2002 Chen 446/448
D476,042 S * 6/2003 Hsieh D21/765

(76) Inventor: **Jae Hyun Hong**, 14065 Stage Rd.,
Bloomfield Commerce Center, Santa Fe
Springs, CA (US) 90670

* cited by examiner

(**) Term: **14 Years**

Primary Examiner—Raphael Barkai
(74) *Attorney, Agent, or Firm*—Park & Sutton LLP; John
K. Park

(21) Appl. No.: **29/210,009**

(57) **CLAIM**

(22) Filed: **Jul. 24, 2004**

The ornamental design for a scooter, as shown and
described.

(51) **LOC (7) Cl.** **21-01**

(52) **U.S. Cl.** **D21/423**

(58) **Field of Search** D21/419–435,
D21/533, 760, 765, 771; D12/107, 110–112;
280/87.01, 87.021, 87.041, 87.042, 281.1,
288.1–288.3, 261, 278, 287; 180/181, 219–231,
216; 446/448

DESCRIPTION

FIG. 1 is a perspective view of a scooter showing my new
design;
FIG. 2 is another perspective view thereof;
FIG. 3 is a side elevational view thereof, the opposite side
being a mirror image;
FIG. 4 is a front elevational view thereof;
FIG. 5 is a rear elevational view thereof; and,
FIG. 6 is a top plan view thereof.
The broken lines showing of FIGS. 1–6 are for illustration
purpose only and therefore establish no part of the claimed
design.

(56) **References Cited**

U.S. PATENT DOCUMENTS

D443,000 S * 5/2001 Chen D21/423
D445,145 S * 7/2001 Yang D21/423
D449,860 S * 10/2001 Lin D21/423
6,345,678 B1 * 2/2002 Chang 180/181
6,409,191 B1 * 6/2002 Wang et al. 280/87.041

1 Claim, 6 Drawing Sheets

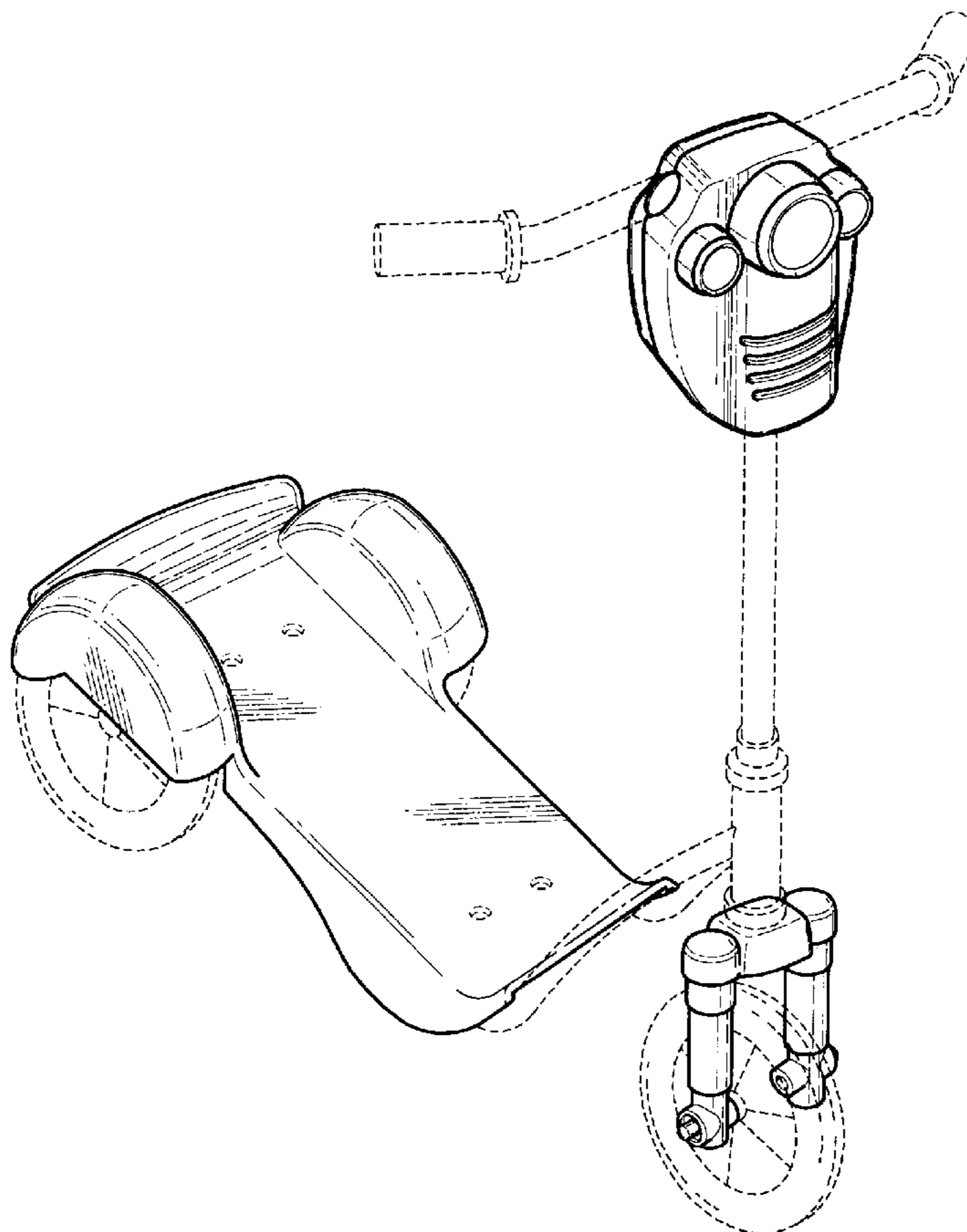


FIG. 1

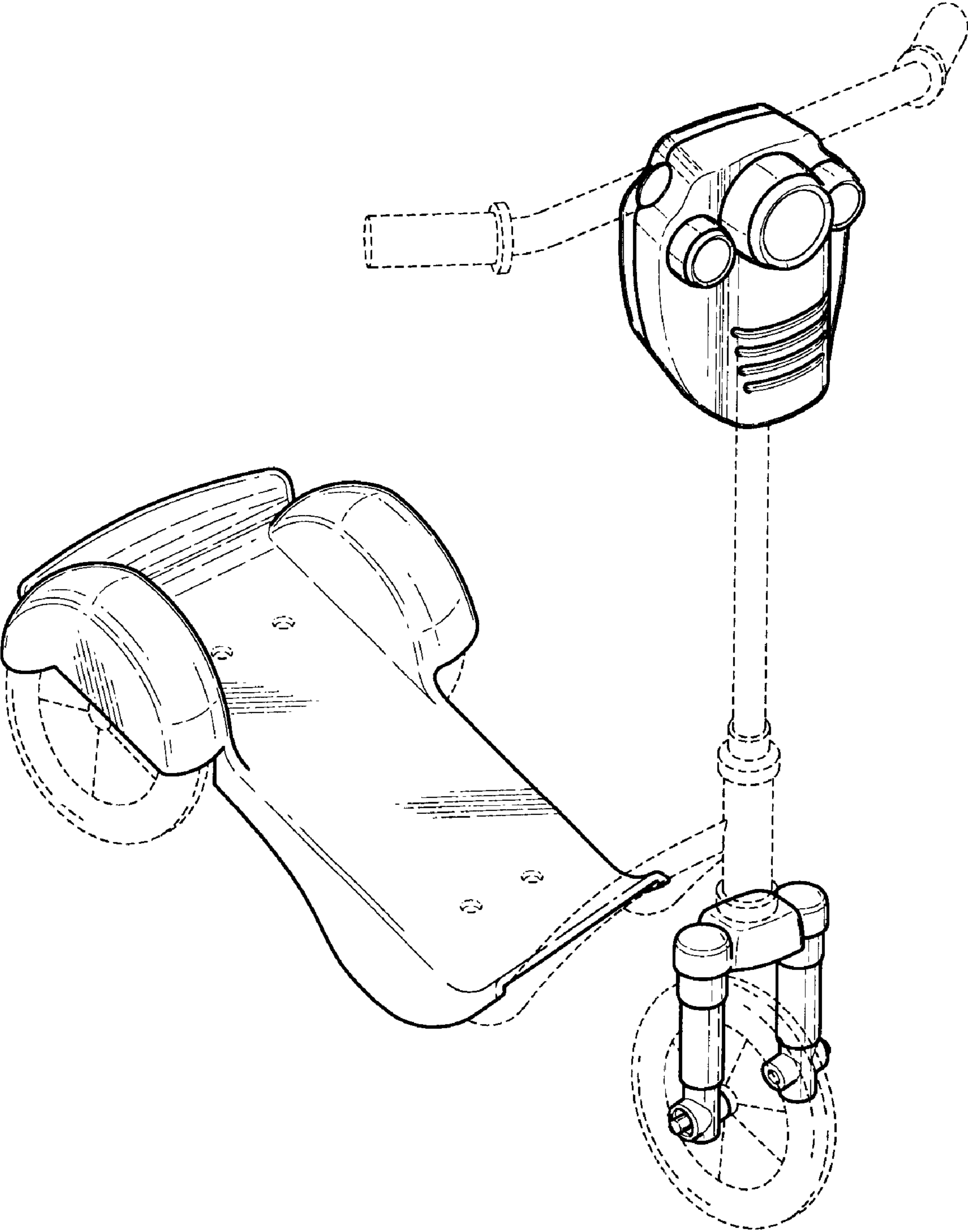


FIG. 2

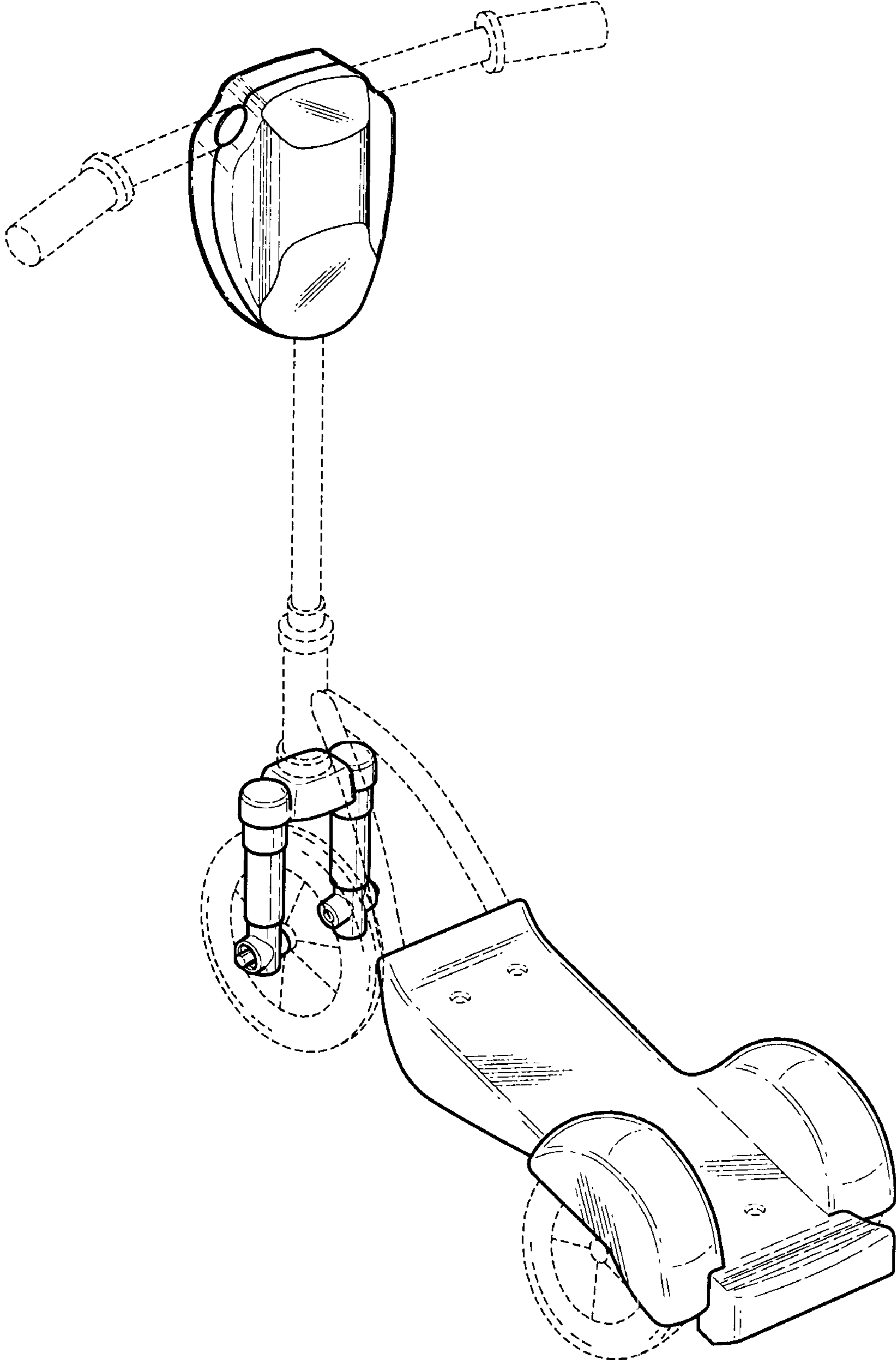


FIG. 3

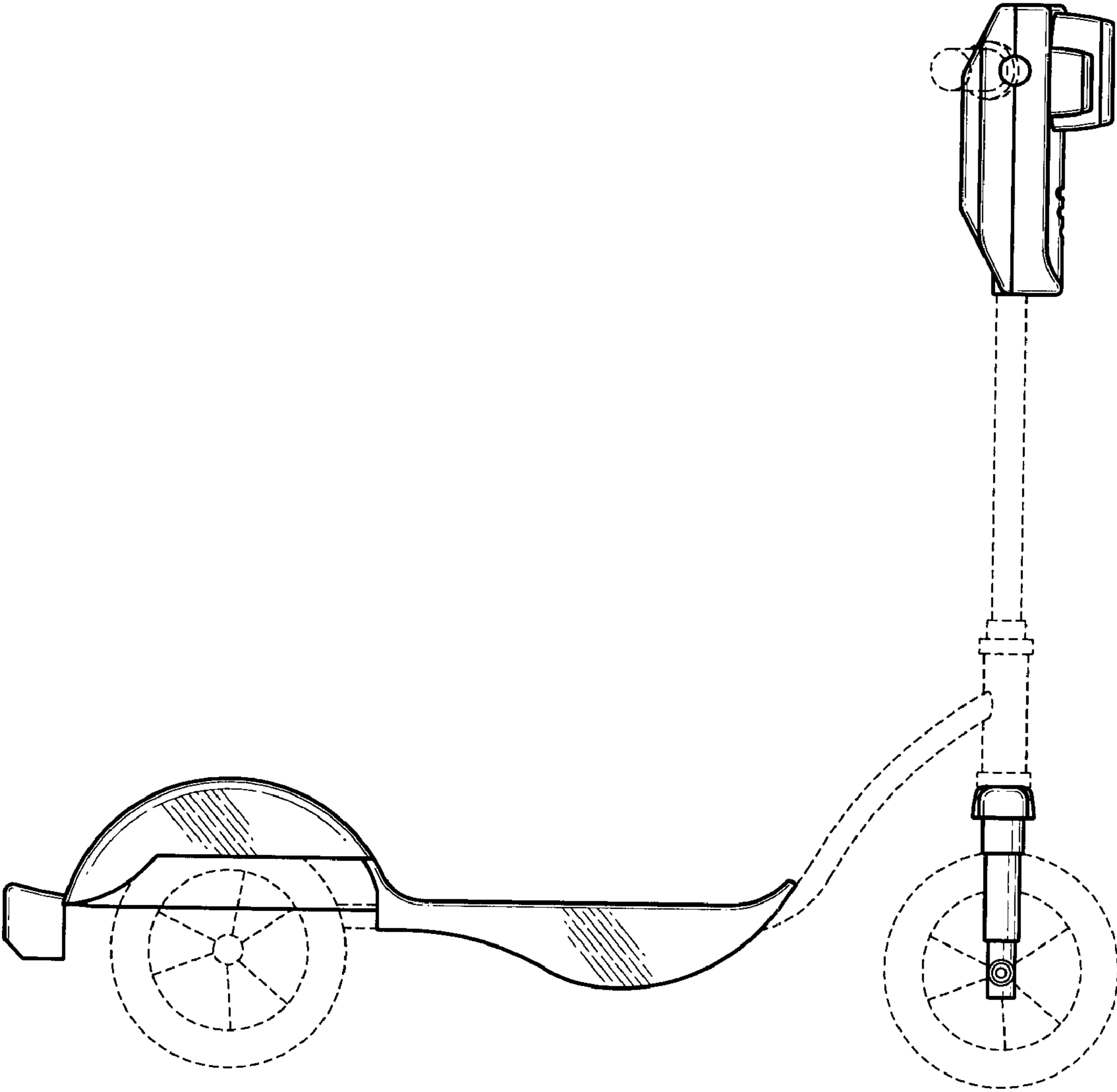


FIG. 4

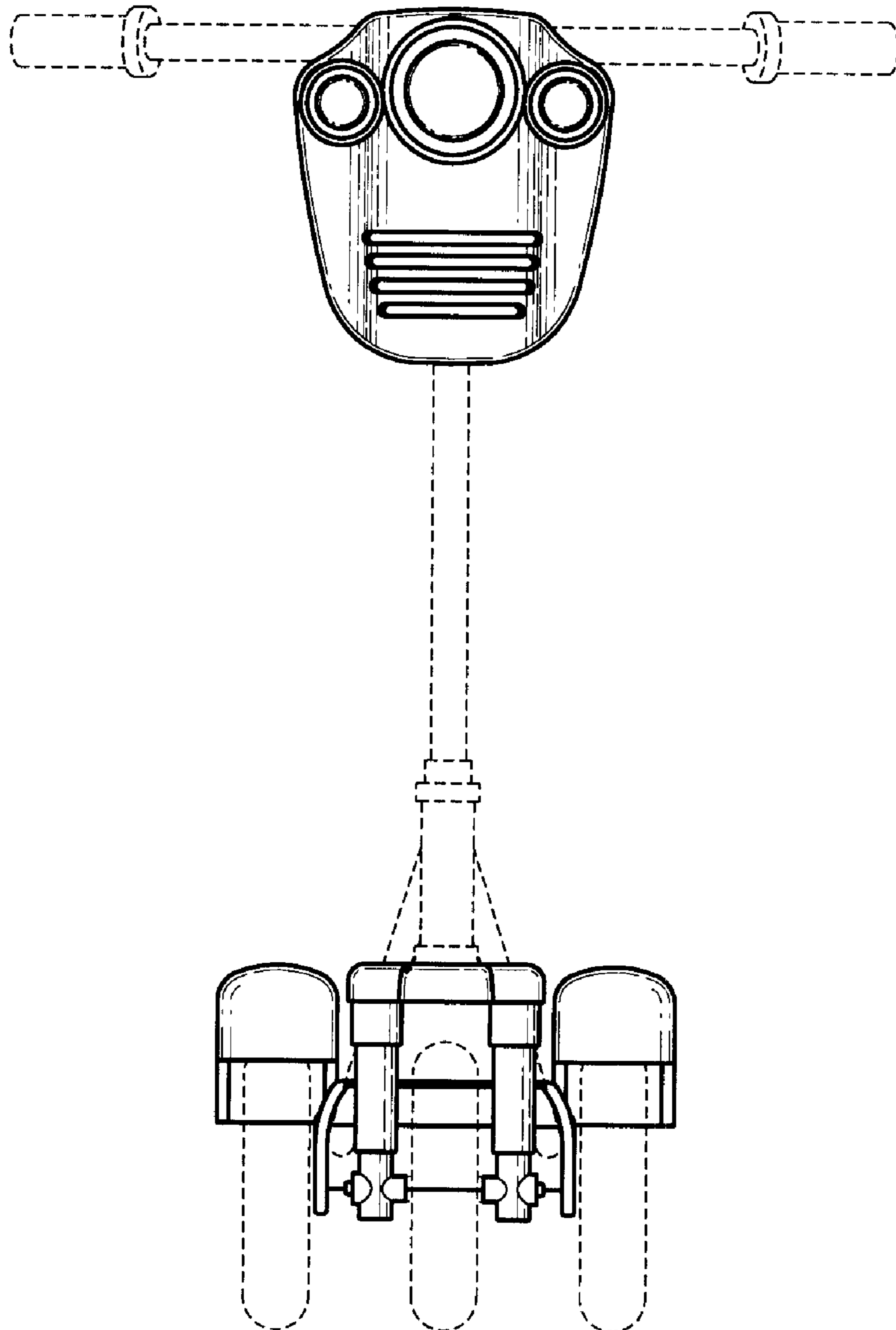


FIG. 5

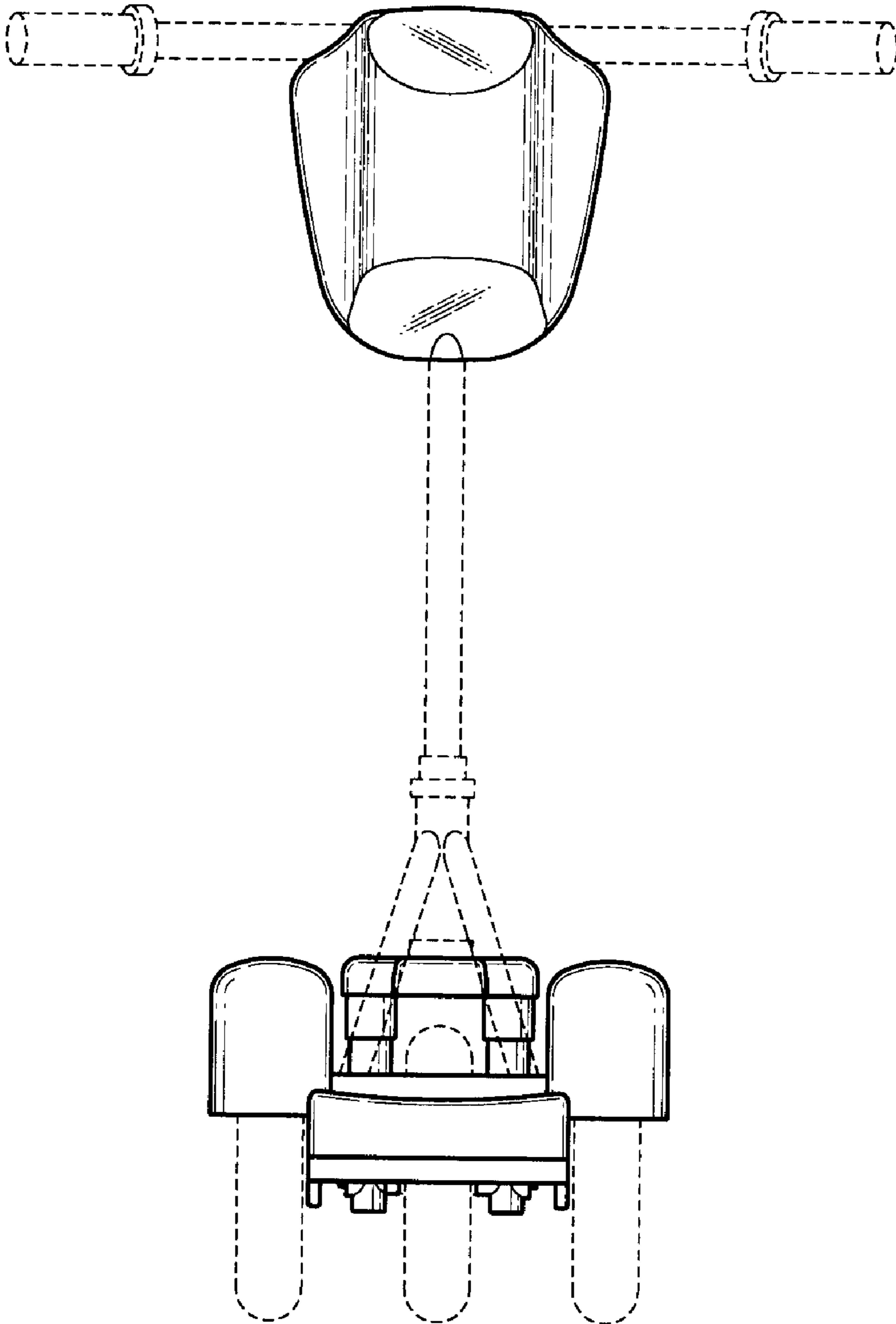


FIG. 6

