



US00D504918S

(12) **United States Design Patent**  
**Imai**

(10) **Patent No.:** **US D504,918 S**  
(45) **Date of Patent:** **\*\* May 10, 2005**

(54) **ADJUSTING BUTTON OF A TAPE DISPENSER**

(75) Inventor: **Takuji Imai**, Ibaraki (JP)

(73) Assignee: **Tombow Pencil Co., Ltd.**, Tokyo (JP)

(\*\*) Term: **14 Years**

(21) Appl. No.: **29/195,035**

(22) Filed: **Dec. 5, 2003**

(30) **Foreign Application Priority Data**

Jun. 5, 2003 (JP) ..... 2003-015877

(51) **LOC (7) Cl.** ..... **19-99**

(52) **U.S. Cl.** ..... **D19/99; D19/69**

(58) **Field of Search** ..... D8/310, 382-387;  
D19/65, 66, 67, 68, 69, 53, 89, 99, 100;  
225/6, 7, 12, 11, 19, 22, 25, 34-38, 45,  
46, 56, 65, 77, 89; 242/588, 588.1-588.6,  
590, 538.1; 156/327, 523, 527, 577, 540;  
D13/158, 170, 171; D10/72, 74

(56) **References Cited**

**U.S. PATENT DOCUMENTS**

- D91,844 S \* 3/1934 Rosenthal ..... D11/222
- D179,955 S \* 3/1957 Schoepe ..... D8/310
- D324,479 S \* 3/1992 Tinz ..... D8/310
- D400,923 S \* 11/1998 Katami ..... D19/69
- D433,449 S \* 11/2000 Fujiwara ..... D19/69 X
- D435,594 S \* 12/2000 Polidoro ..... D19/69
- D436,625 S \* 1/2001 Katami ..... D19/69
- 6,453,968 B1 \* 9/2002 Hsu ..... 156/577

- D465,241 S \* 11/2002 Suzuki ..... D19/69
- D466,939 S \* 12/2002 Lee ..... D19/69
- 6,500,259 B1 \* 12/2002 Tamai et al. .... 156/577 X
- 6,745,808 B2 \* 6/2004 Kobayashi ..... 156/523

**FOREIGN PATENT DOCUMENTS**

GB 2042522 10/1994

\* cited by examiner

*Primary Examiner*—Martie K. Holtje

(74) *Attorney, Agent, or Firm*—Birch, Stewart, Kolasch & Birch, LLP

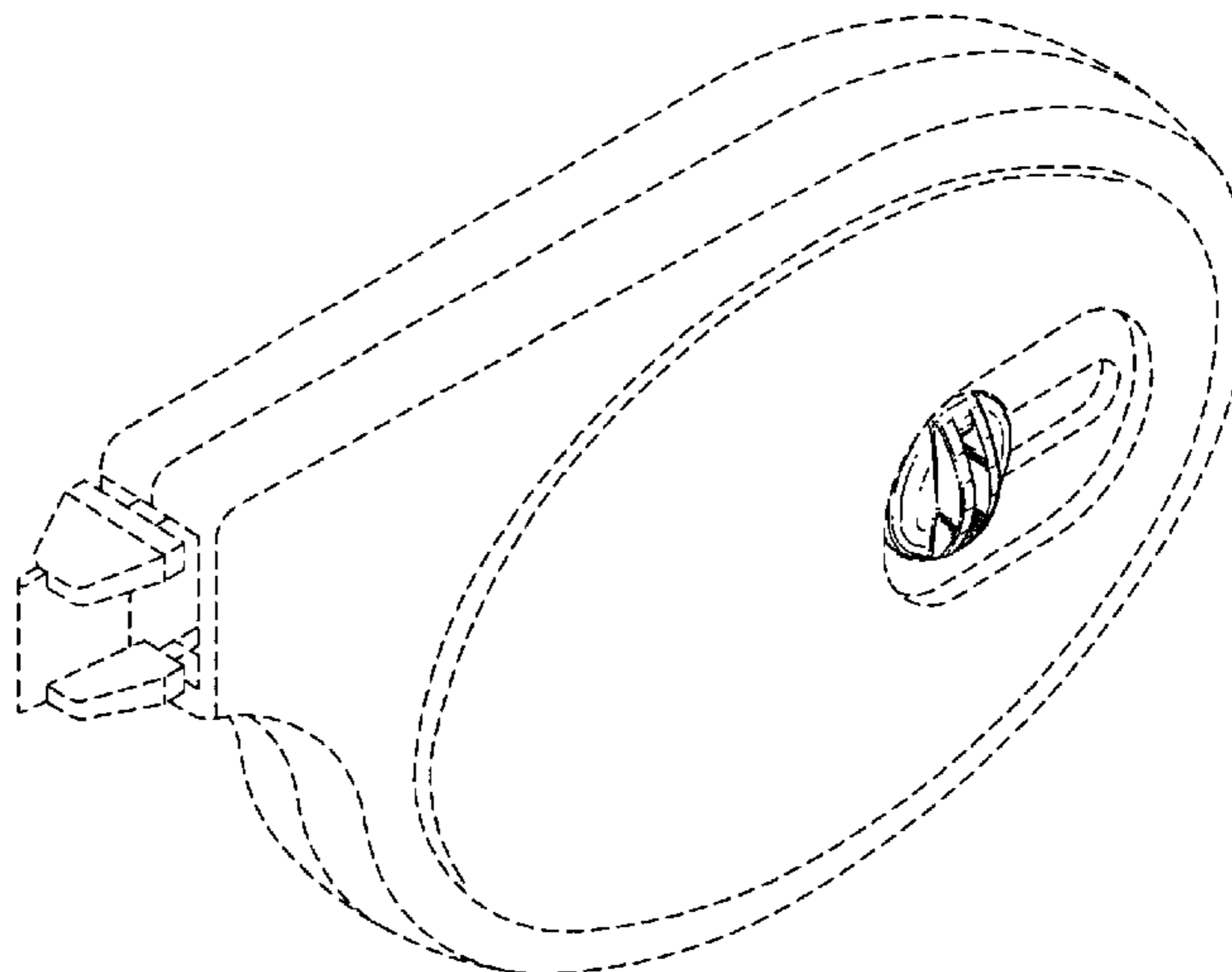
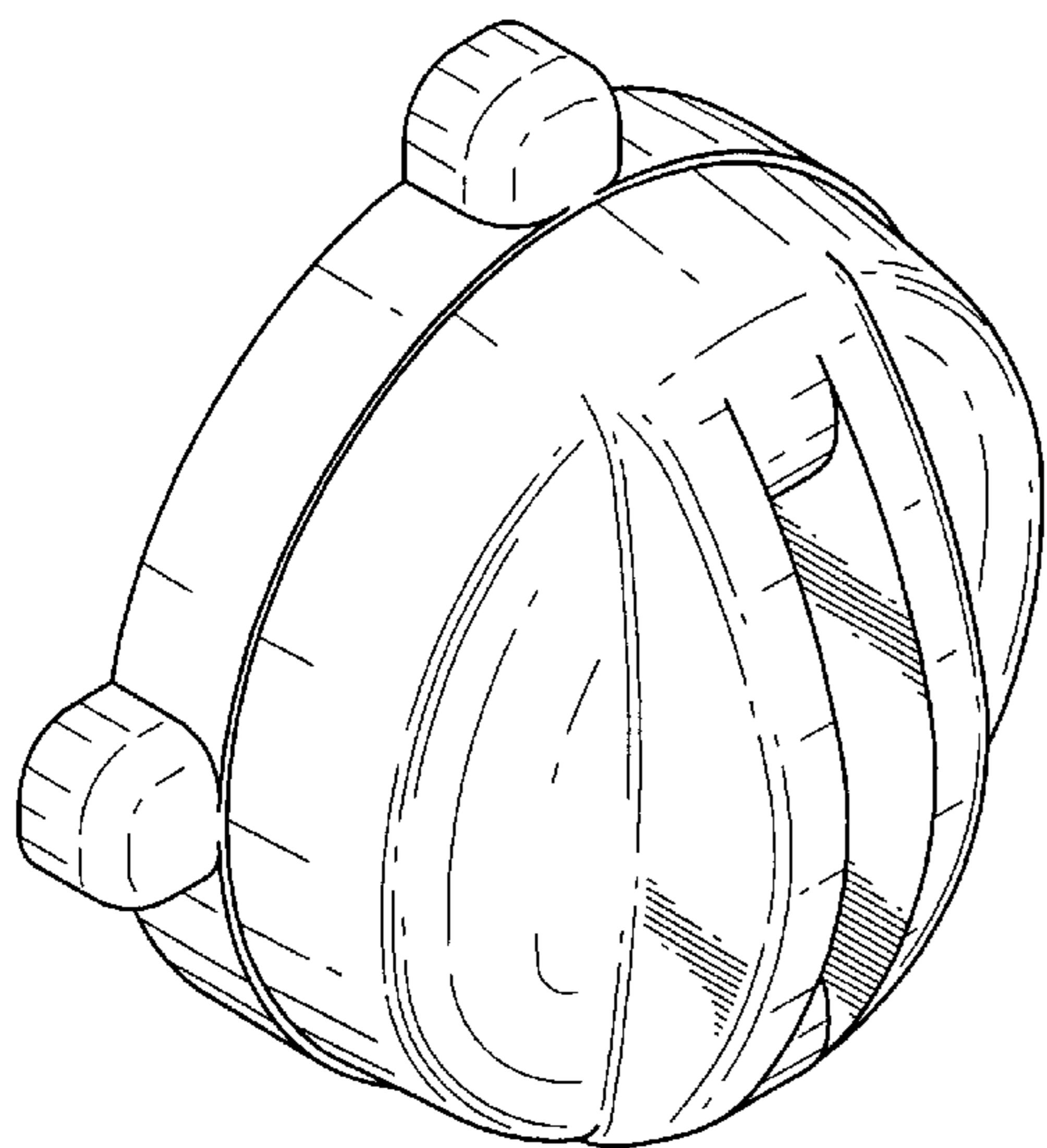
(57) **CLAIM**

The ornamental design for an adjusting button of a tape dispenser, as shown and described.

**DESCRIPTION**

FIG. 1 is a perspective view of the adjusting button of a tape dispenser showing my new design;  
 FIG. 2 is a front view thereof;  
 FIG. 3 is a rear view thereof;  
 FIG. 4 is a top view thereof;  
 FIG. 5 is a right side view thereof, the left side view being a mirror image thereof;  
 FIG. 6 is a side view of a tape dispenser including the adjusting button, the broken line structure forming no part of the claimed invention; and,  
 FIG. 7 is a perspective view of the tape dispenser including the adjusting button, the broken line structure forming no part of the claimed invention.

**1 Claim, 4 Drawing Sheets**



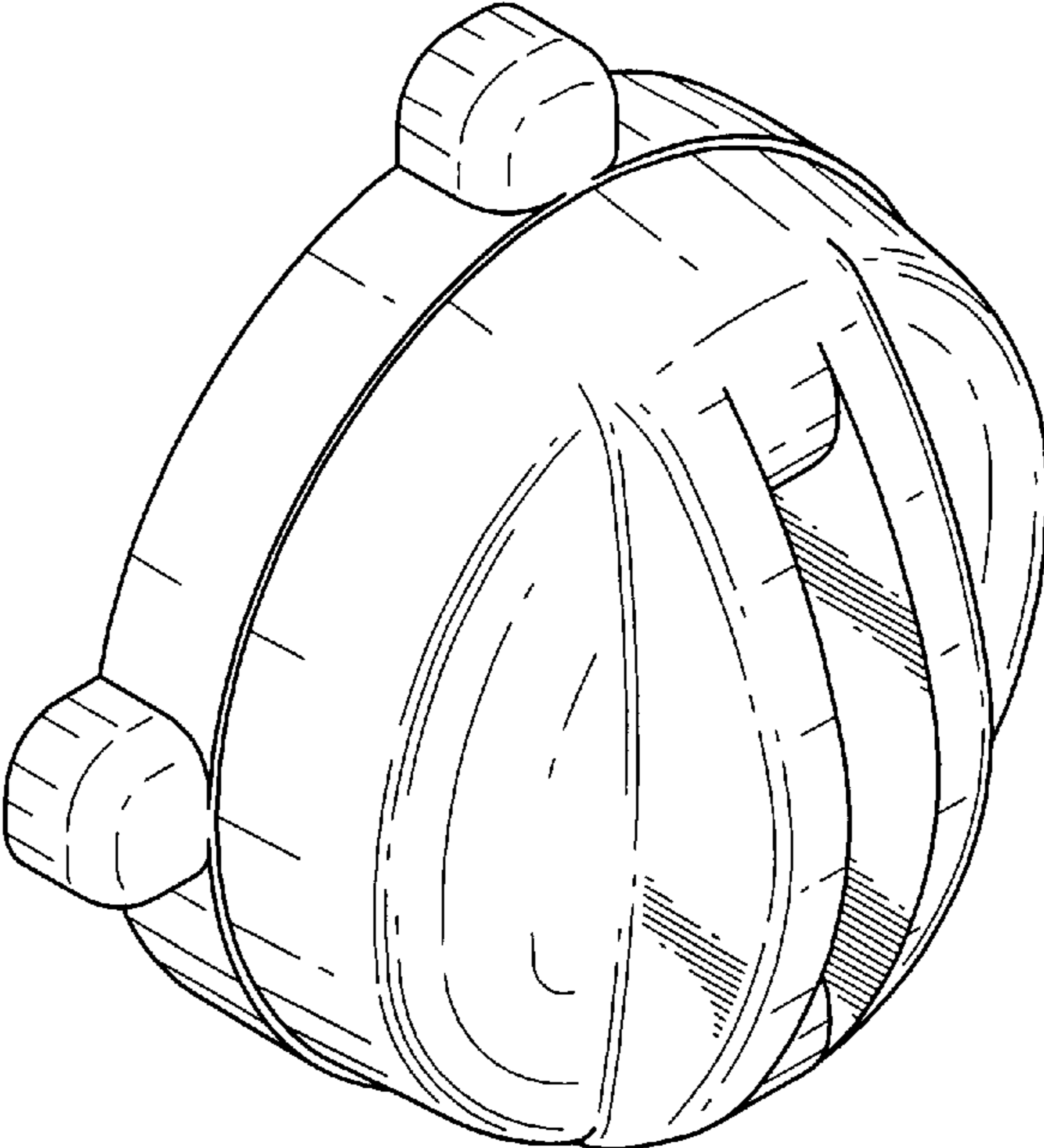


FIG.1

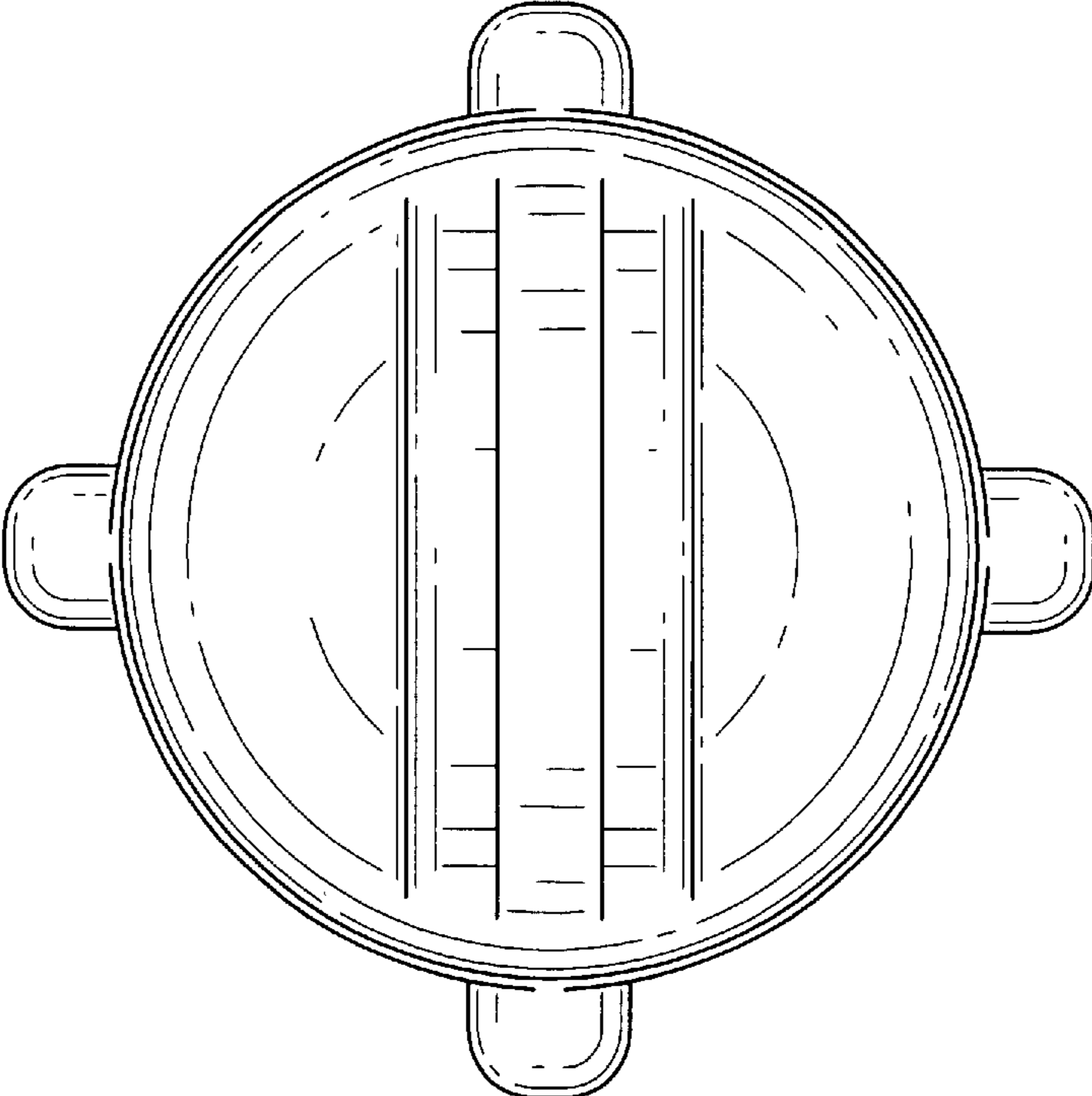


FIG.2

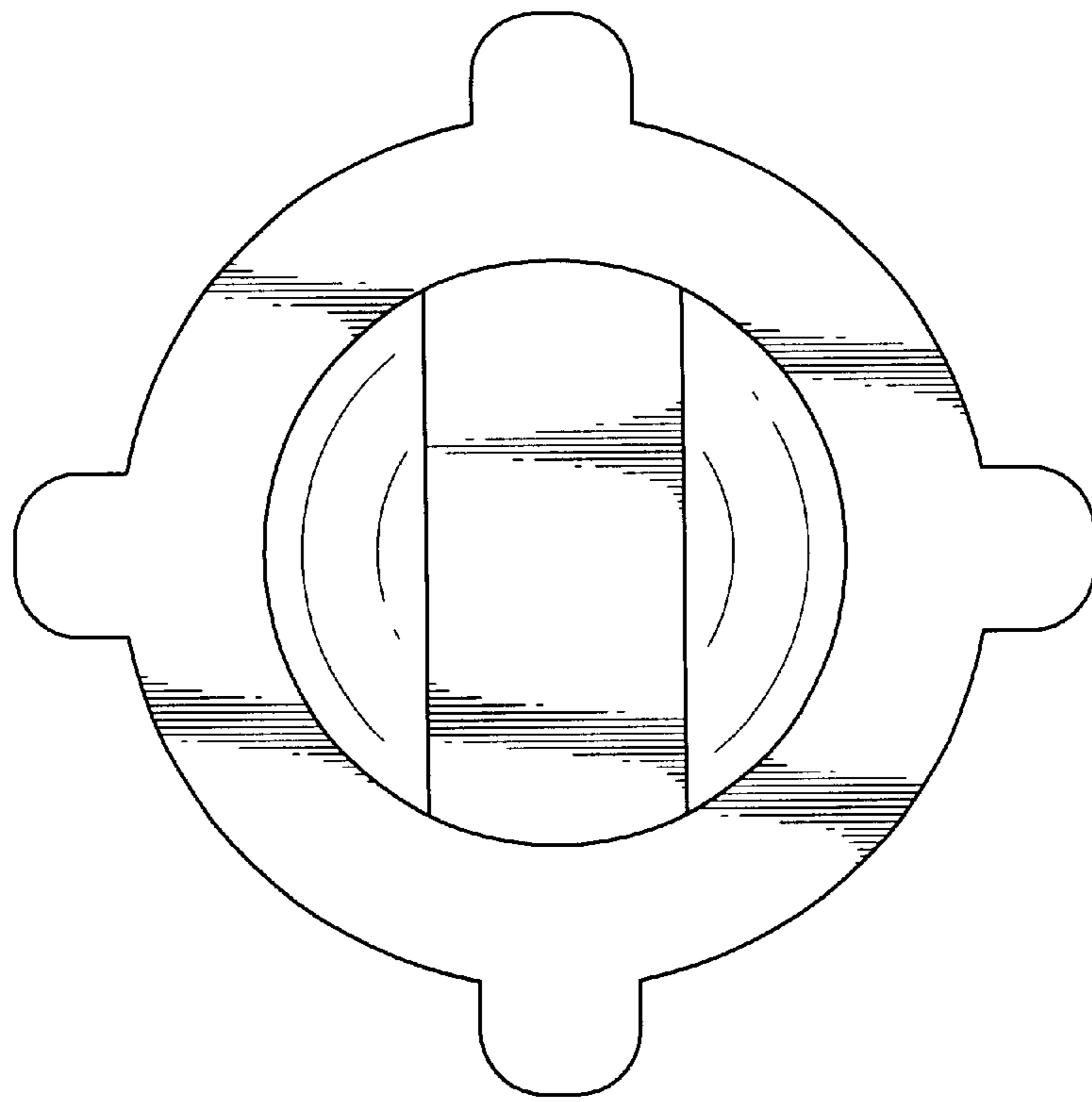


FIG.3

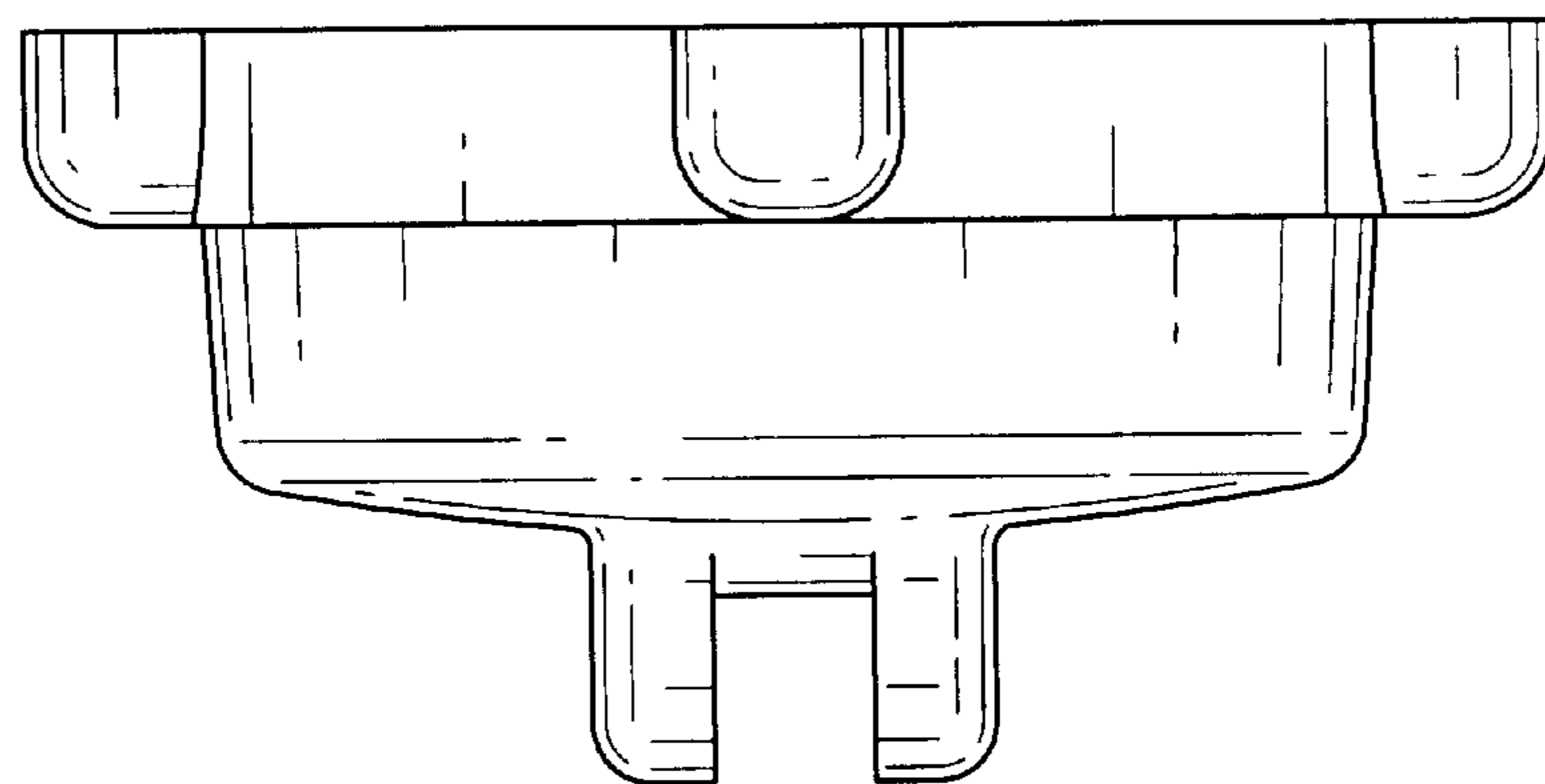


FIG.4

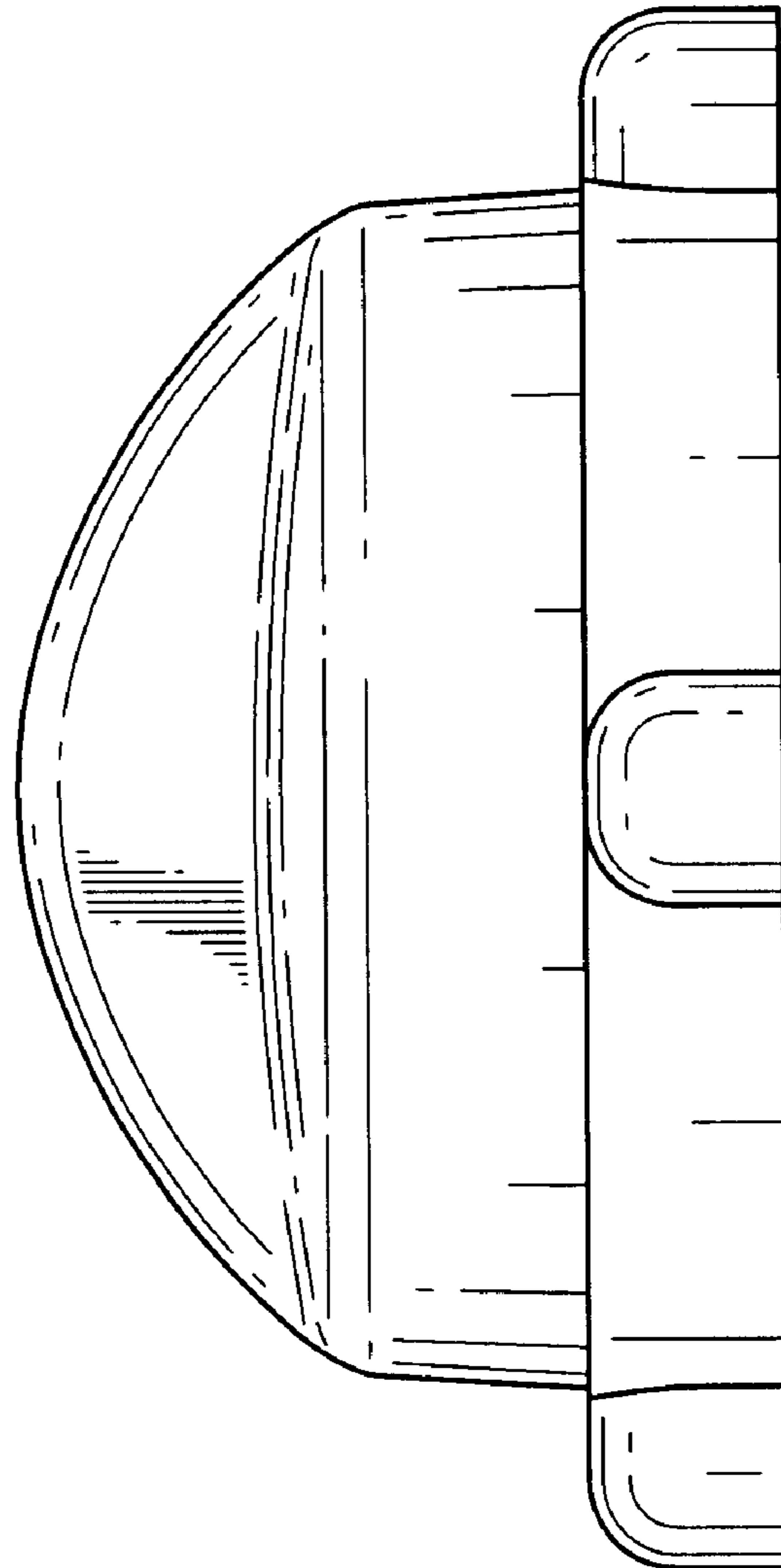


FIG. 5

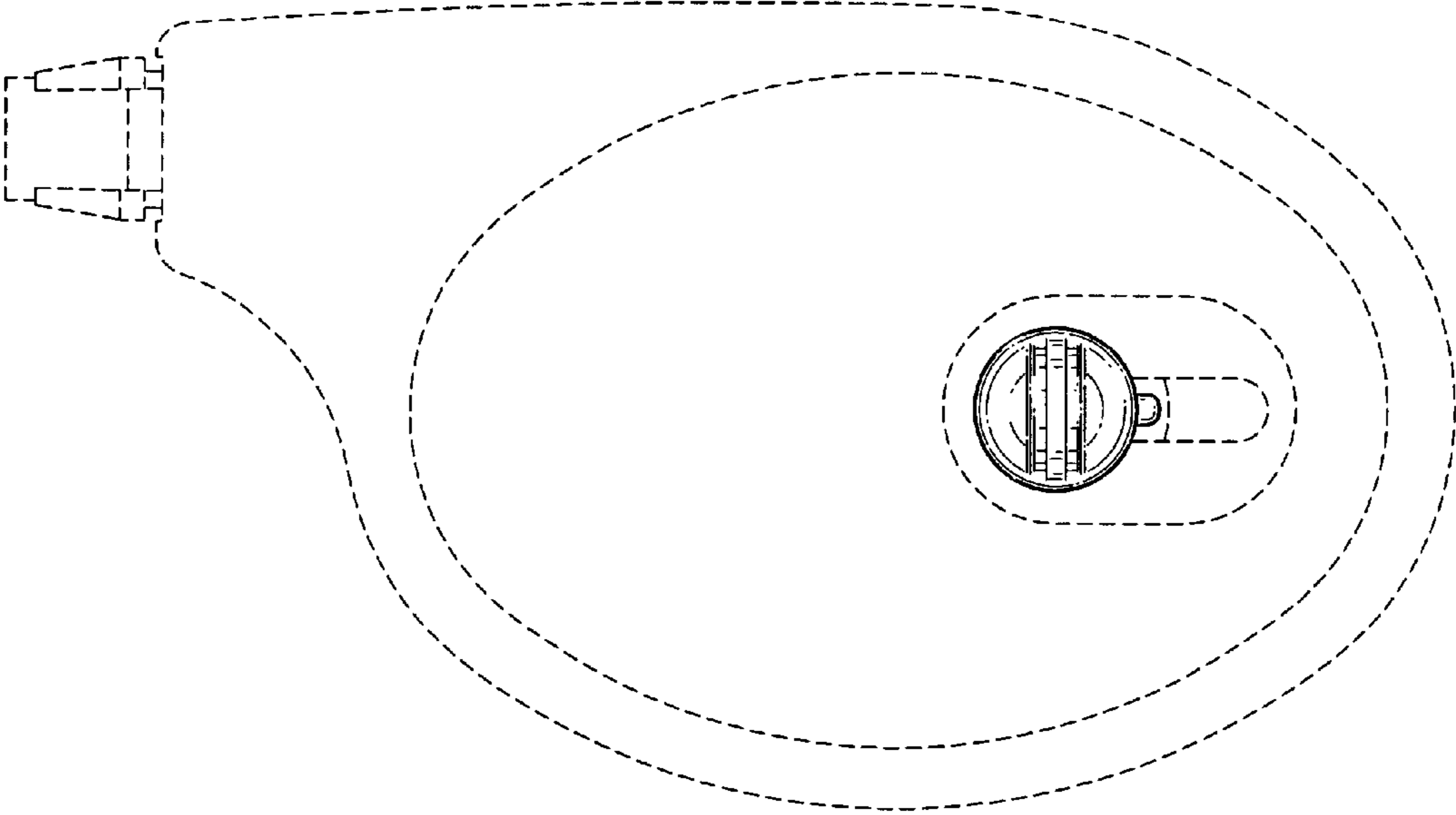


FIG. 6

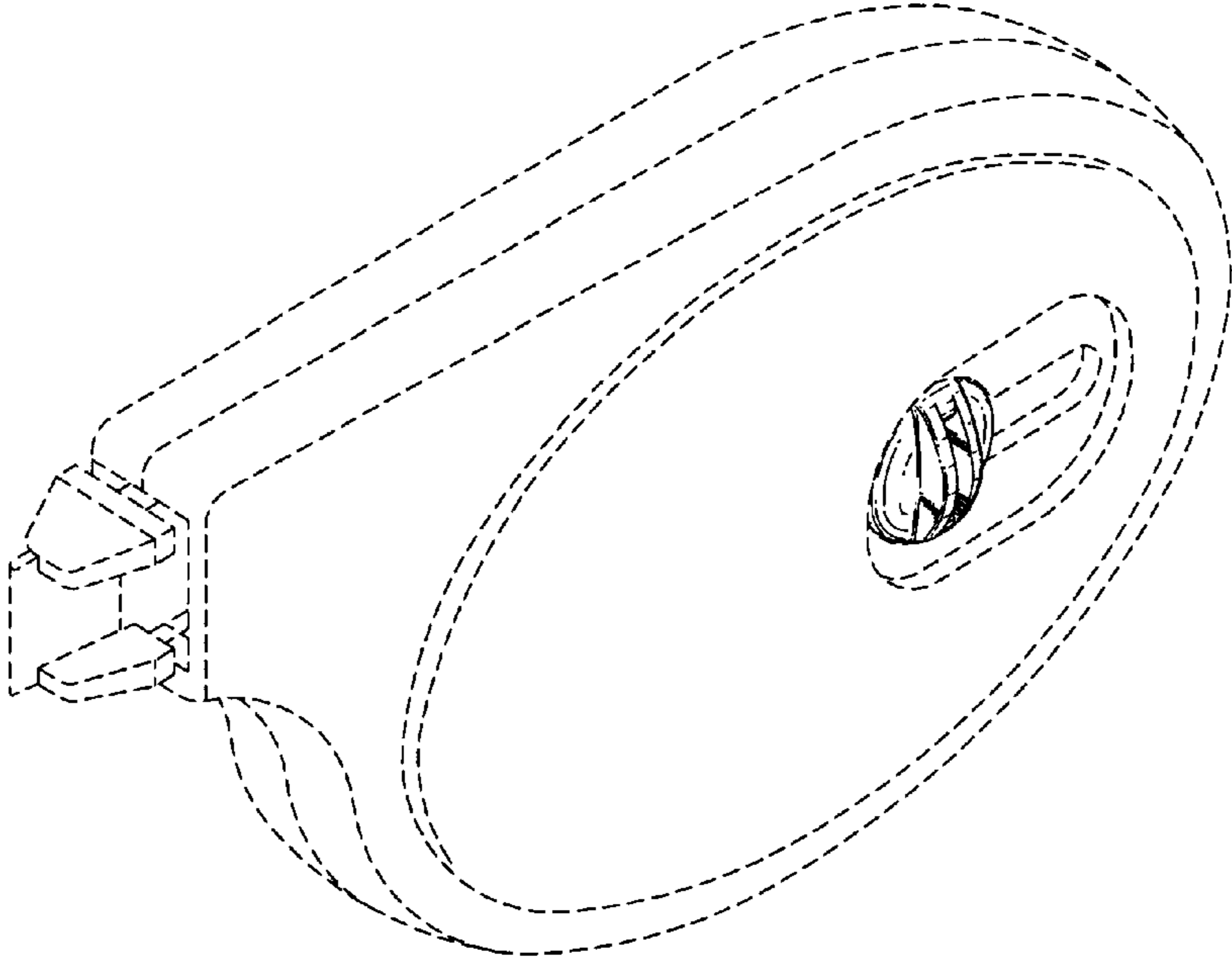


FIG. 7