



US00D504917S

(12) **United States Design Patent**
Chang

(10) **Patent No.: US D504,917 S**

(45) **Date of Patent: ** May 10, 2005**

(54) **HOLDER FOR NOTEPAPER**

(76) **Inventor: Chun Yuan Chang**, P.O. Box 63-99,
Taichung (TW), 406

(**) **Term: 14 Years**

(21) **Appl. No.: 29/207,897**

(22) **Filed: Jun. 19, 2004**

(51) **LOC (7) Cl. 19-02**

(52) **U.S. Cl. D19/86; D19/92**

(58) **Field of Search** D6/515, 518; D3/306;
D19/65, 75, 78, 86, 91, 95, 92, 99, 100,
67-69; 221/33-35, 36, 45-47, 55, 51, 63,
52, 155, 281, 282; 206/215; 211/10, 11,
13.1; 156/324

(56) **References Cited**

U.S. PATENT DOCUMENTS

D194,513 S * 2/1963 Sparling D3/306
4,770,320 A * 9/1988 Miles et al. 221/33
5,165,570 A * 11/1992 Windorski et al. 221/46

D348,484 S * 7/1994 Blackwell et al. D19/69
5,769,270 A * 6/1998 Fujisawa et al. 221/34
5,798,159 A * 8/1998 Callahan et al. 221/63
6,238,510 B1 * 5/2001 Callahan et al. 156/324
6,688,488 B2 * 2/2004 Bailey 221/45

* cited by examiner

Primary Examiner—Martie K. Holtje

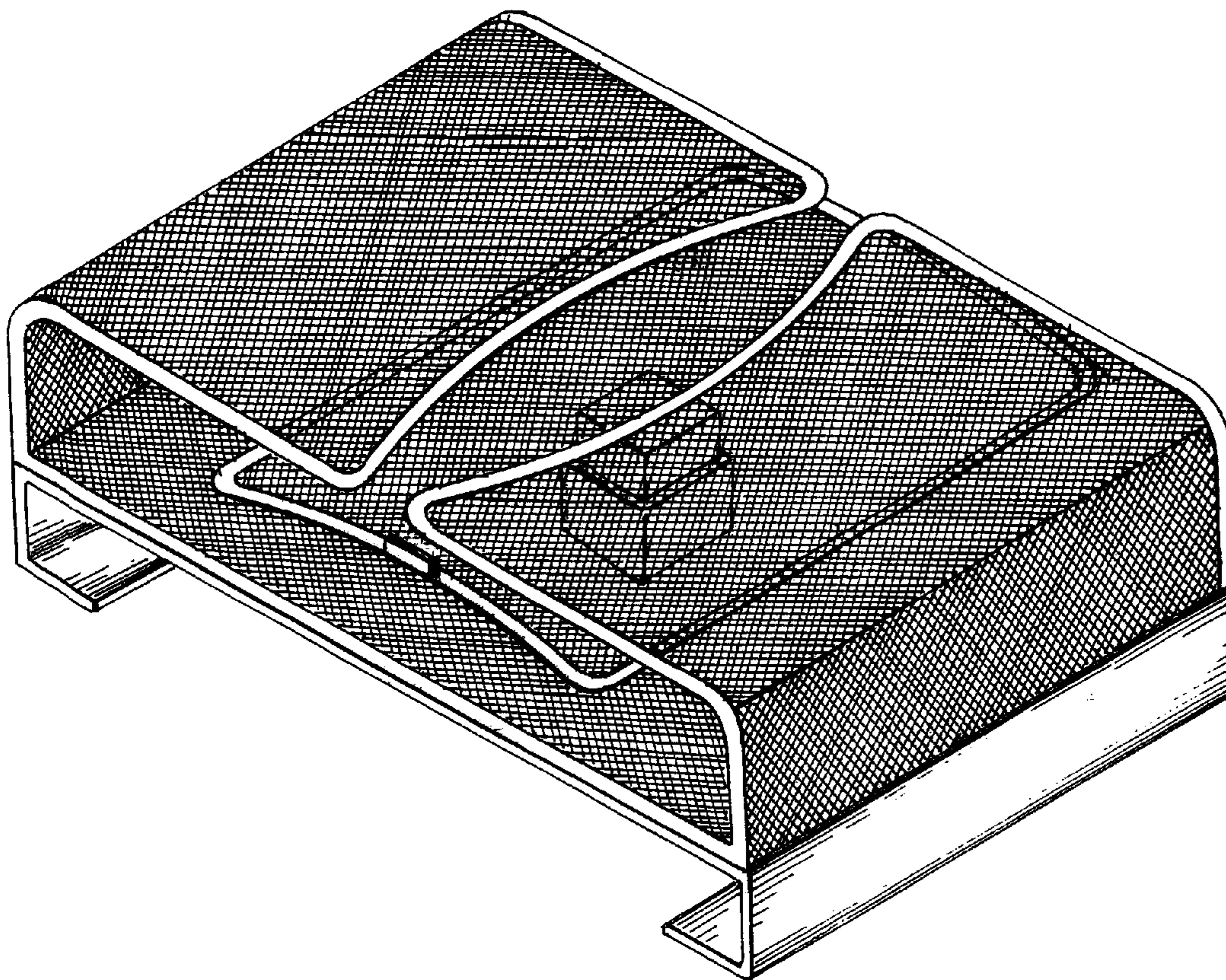
(57) **CLAIM**

The ornamental design for a holder for notepaper, as shown and described.

DESCRIPTION

FIG. 1 is a perspective view of a holder for notepaper showing my new design;
FIG. 2 is a front elevational view thereof;
FIG. 3 is a rear elevational view thereof;
FIG. 4 is a top plan view thereof;
FIG. 5 is a bottom plan view thereof;
FIG. 6 is a left side elevational view thereof; and,
FIG. 7 is a right side elevational view thereof.

1 Claim, 4 Drawing Sheets



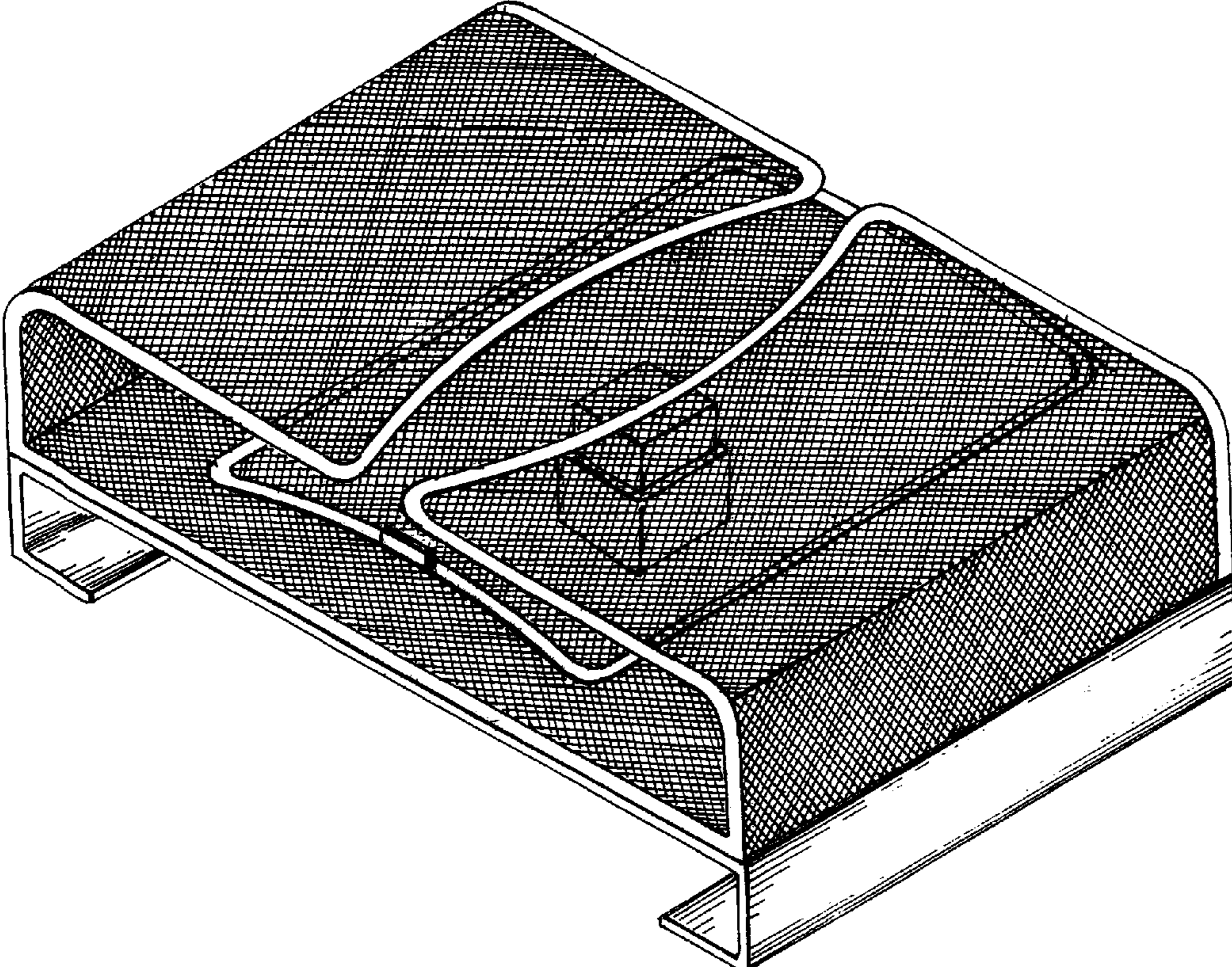


FIG. 1

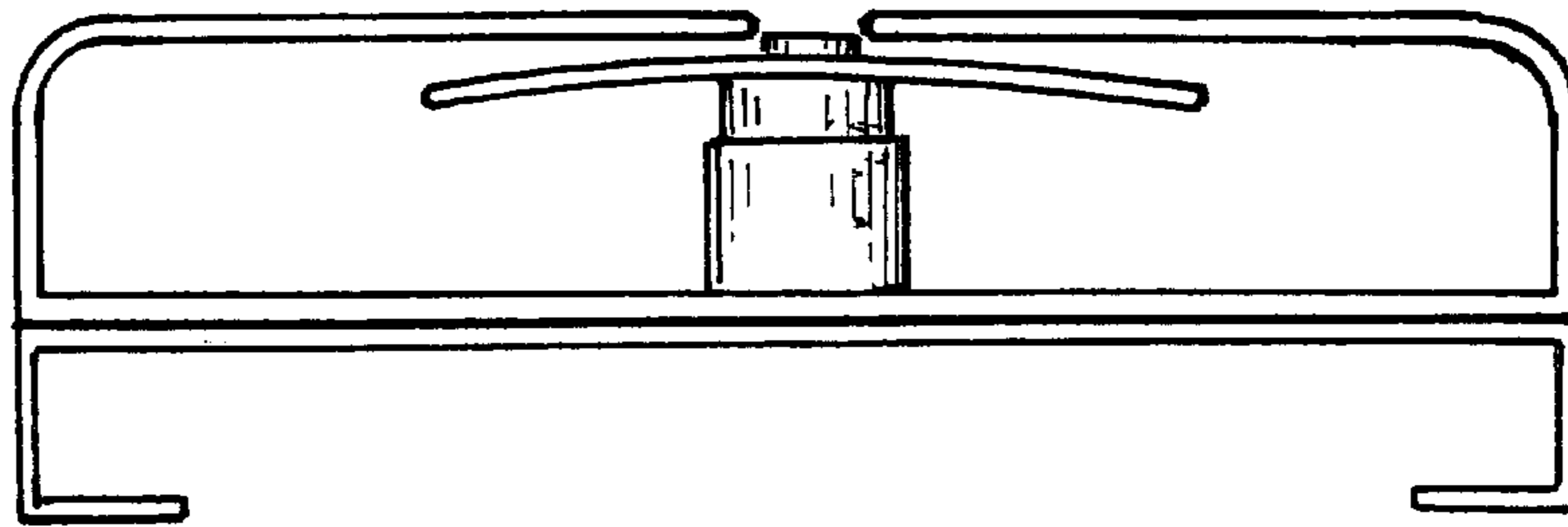


FIG. 2

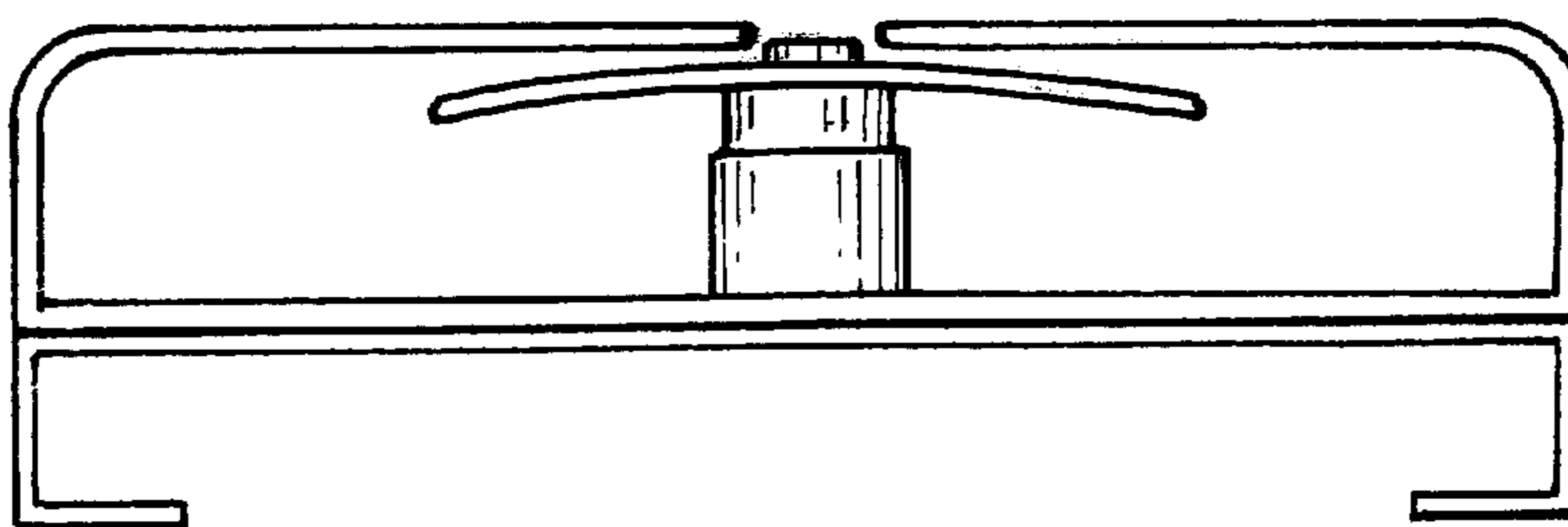


FIG. 3

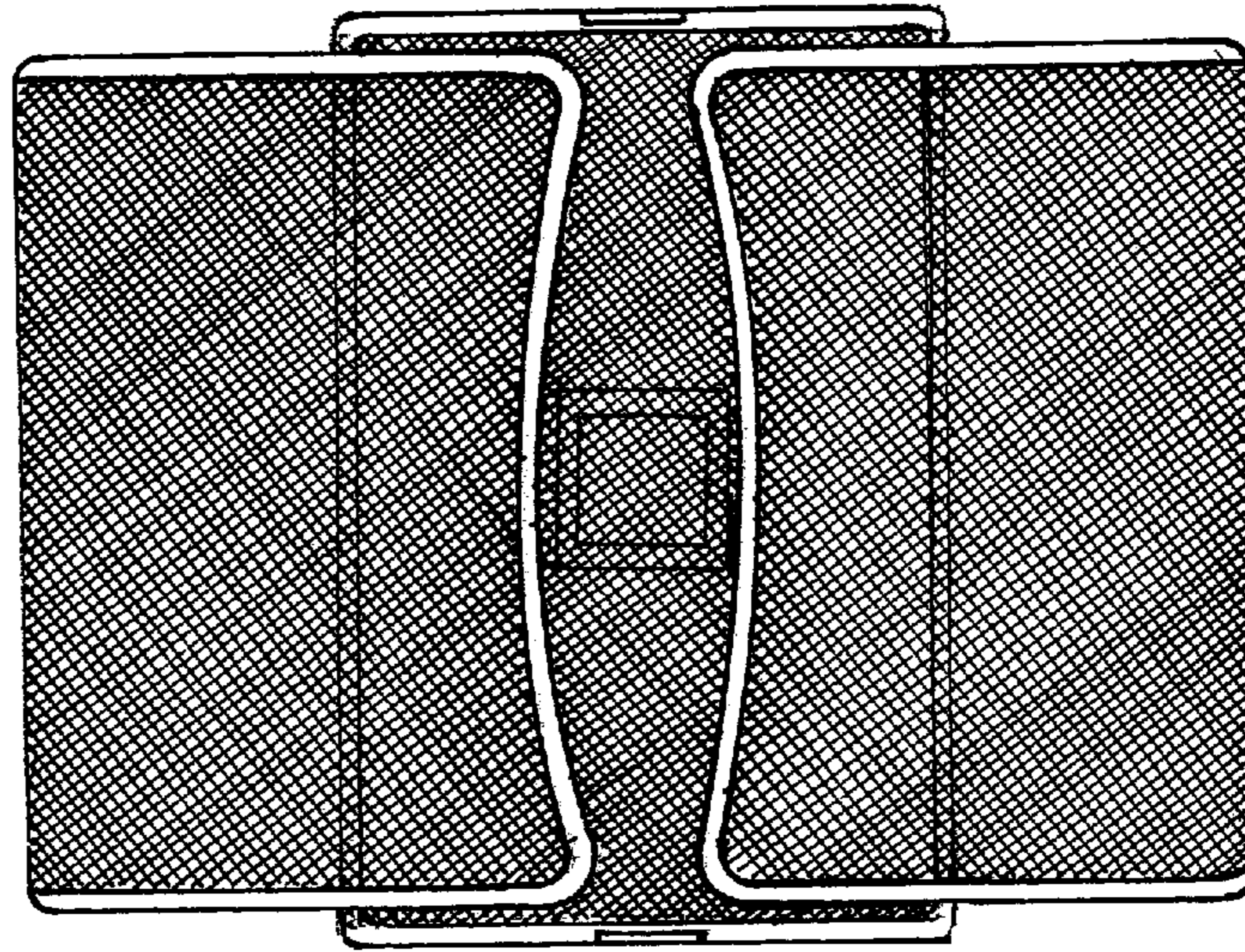


FIG. 4

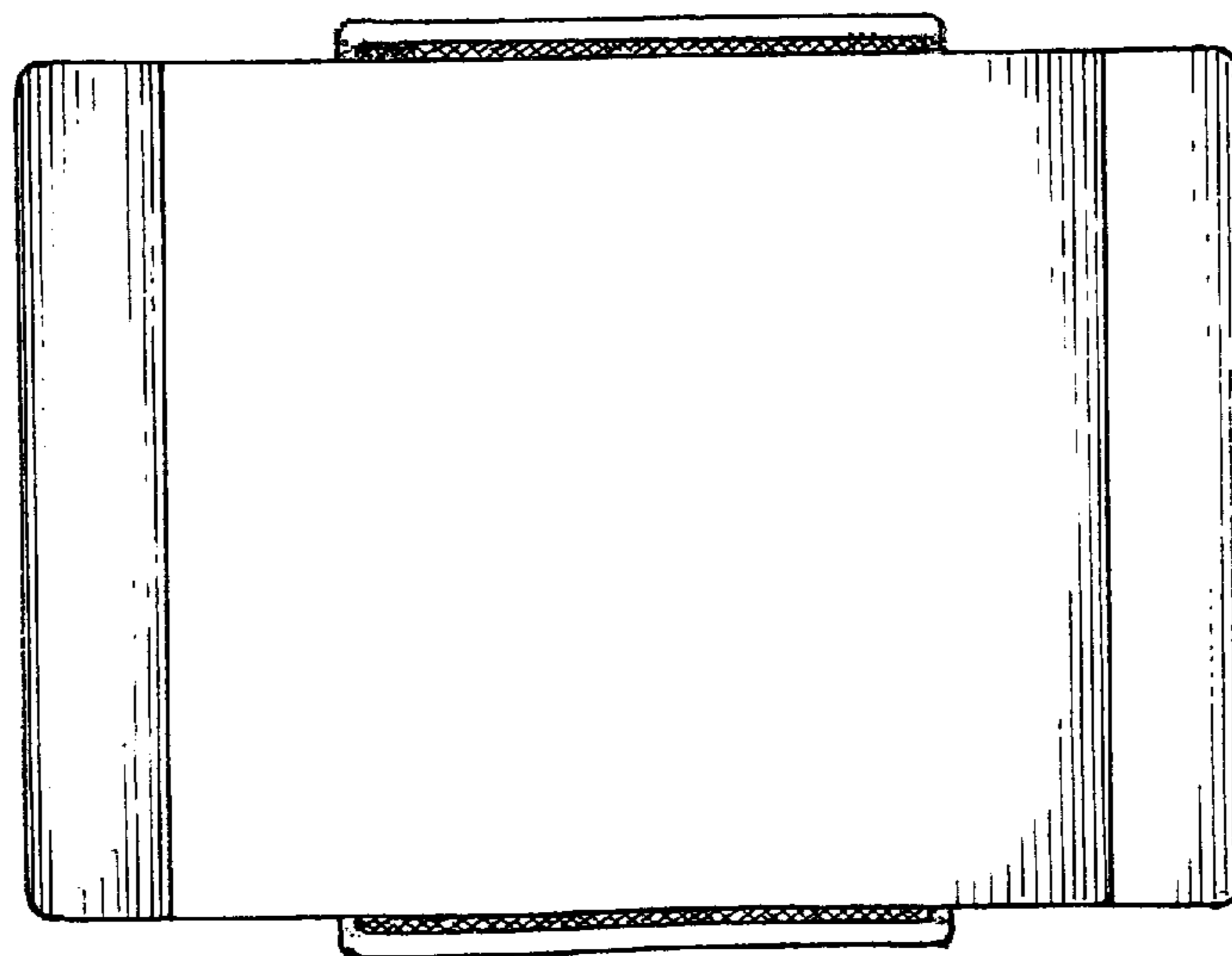


FIG. 5

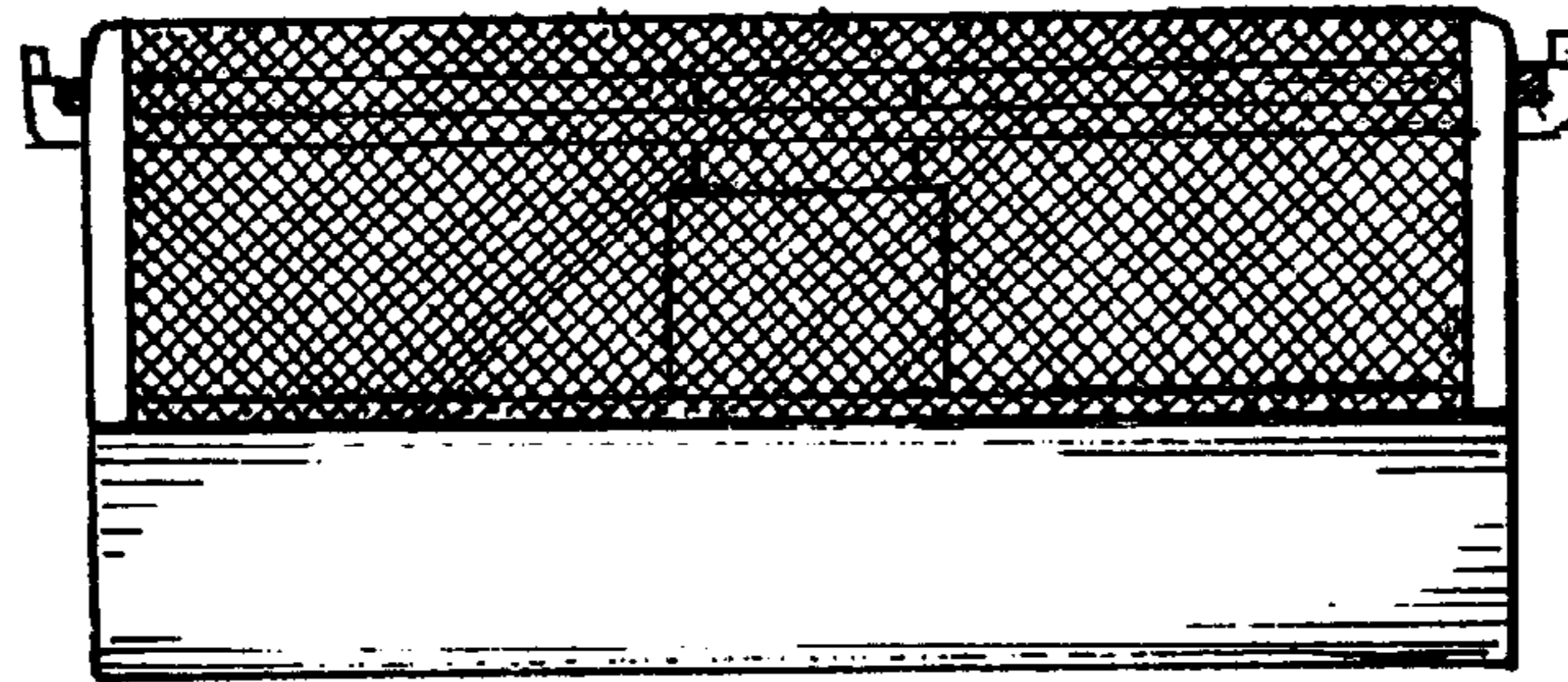


FIG. 6

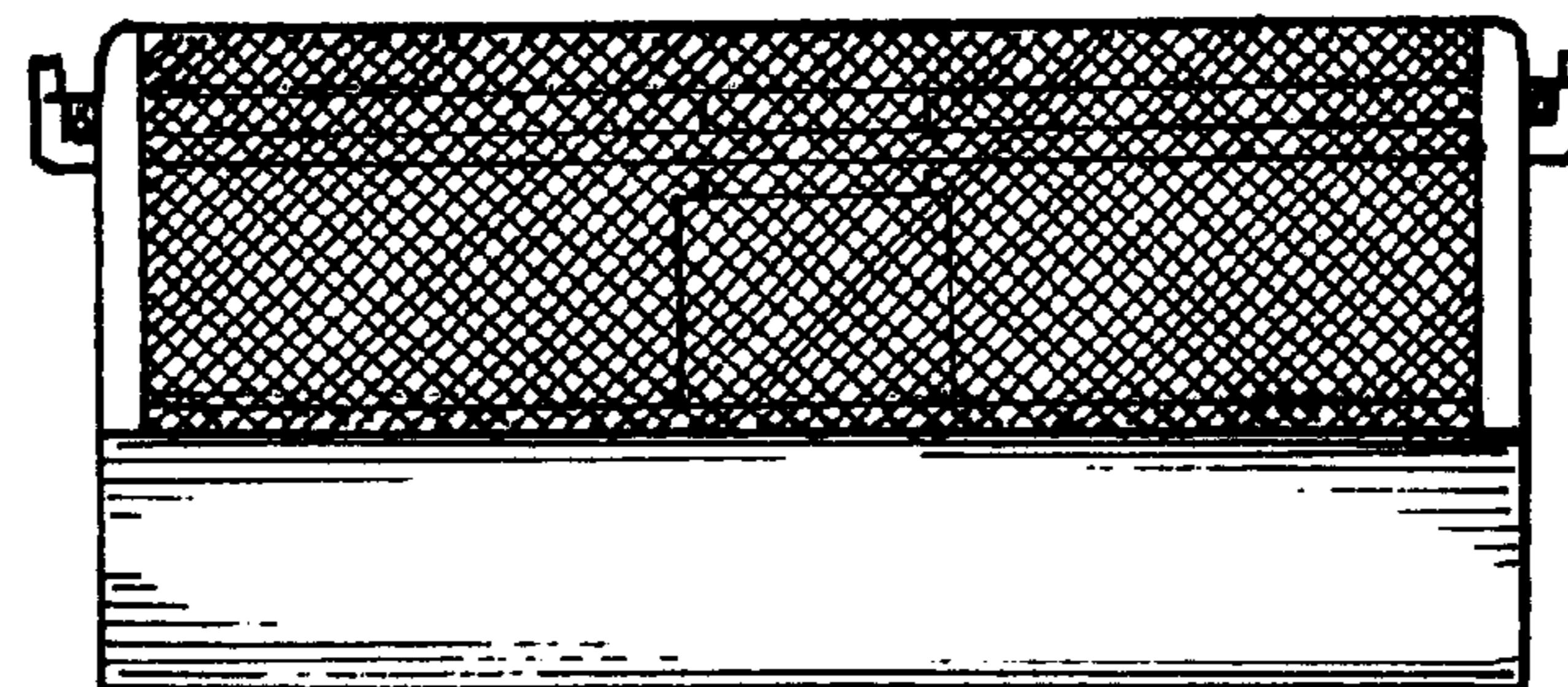


FIG. 7