

US00D504907S

(12) **United States Design Patent**
Neri

(10) **Patent No.:** **US D504,907 S**
(45) **Date of Patent:** **** May 10, 2005**

(54) **PRINTER CASSETTE**

D458,956 S 6/2002 Neri et al.
D478,118 S 8/2003 Neri
6,666,597 B1 12/2003 Neri et al.

(75) Inventor: **Joel D. Neri**, Youngstown, NY (US)

(73) Assignee: **International Imaging Materials Inc**,
Amherst, NY (US)

* cited by examiner

Primary Examiner—Caron D. Veynar

(**) Term: **14 Years**

(74) *Attorney, Agent, or Firm*—Howard J. Greenwald;
Peter J. Mikesell

(21) Appl. No.: **29/192,704**

(57) **CLAIM**

(22) Filed: **Oct. 28, 2003**

The ornamental design for a “printer cassette,” as shown and described.

(51) **LOC (7) Cl.** **18-01**

(52) **U.S. Cl.** **D18/12**

(58) **Field of Search** D18/12, 40, 43,
D18/56; D14/471, 481, 483; 222/DIG. 1;
399/24–31, 110–125, 252–262; 400/207,
208; D9/500, 520; 209/447

DESCRIPTION

(56) **References Cited**

U.S. PATENT DOCUMENTS

D355,436 S	*	2/1995	Suwa	D18/12
D383,743 S	*	9/1997	Suwa et al.	D18/56
D420,696 S	*	2/2000	Yung et al.	D18/12
D425,545 S	*	5/2000	Ishida	D18/12
D453,179 S		1/2002	Neri et al.		
D454,151 S		3/2002	Neri et al.		
D458,295 S		6/2002	Neri et al.		

FIG. 1 is a top view of the printer cassette showing my new design;

FIG. 2 is a front view of the printer cassette;

FIG. 3 is a right side view of the printer cassette;

FIG. 4 is a left side view of the printer cassette;

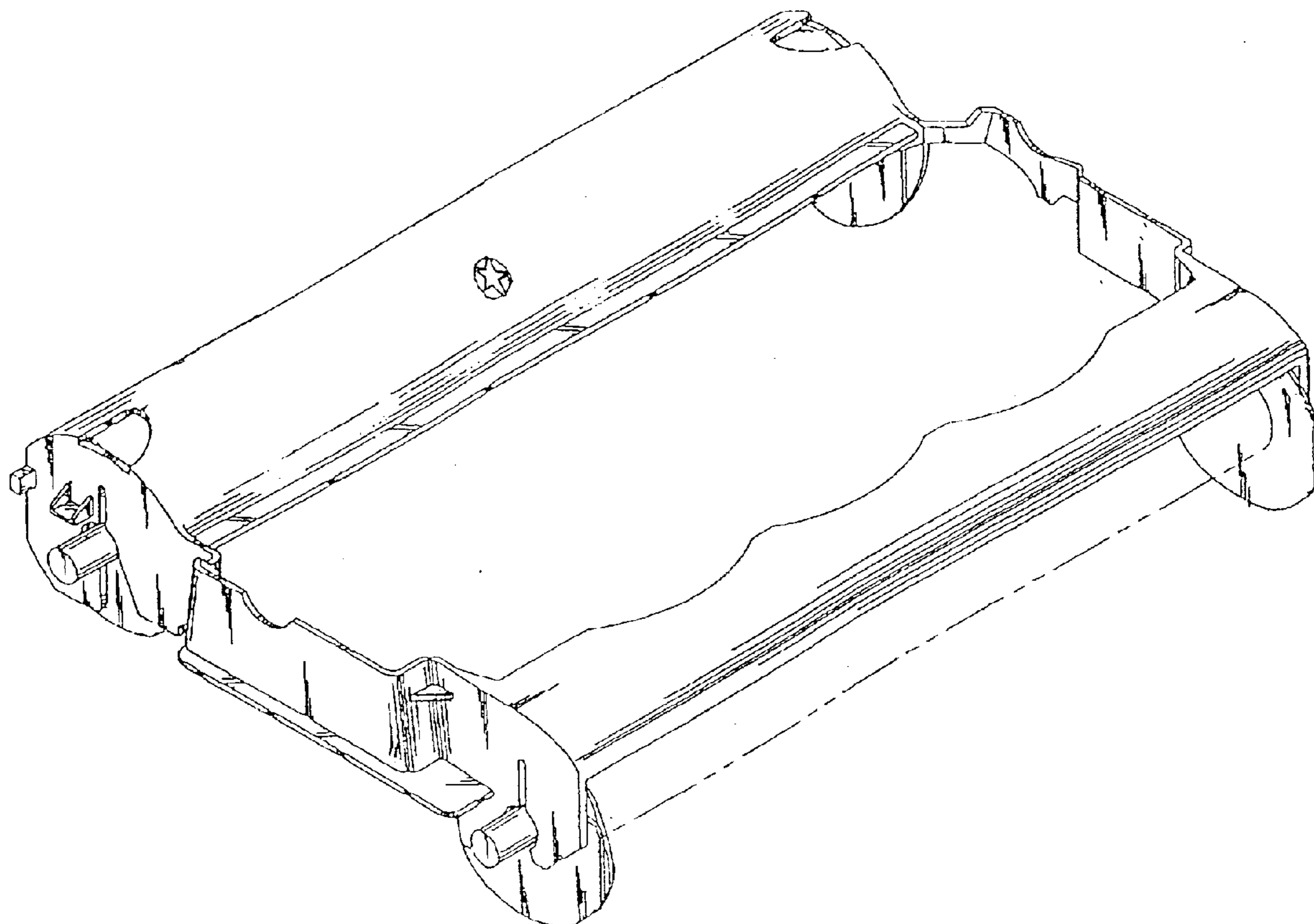
FIG. 5 is a bottom view of the printer cassette;

FIG. 6 is a perspective view of the printer cassette; and,

FIG. 7 is a back view of the printer cassette.

The broken lines shown in FIGS. 1, 2, and 5–7 are for illustrative purposes only and form no part of the claimed design.

1 Claim, 6 Drawing Sheets



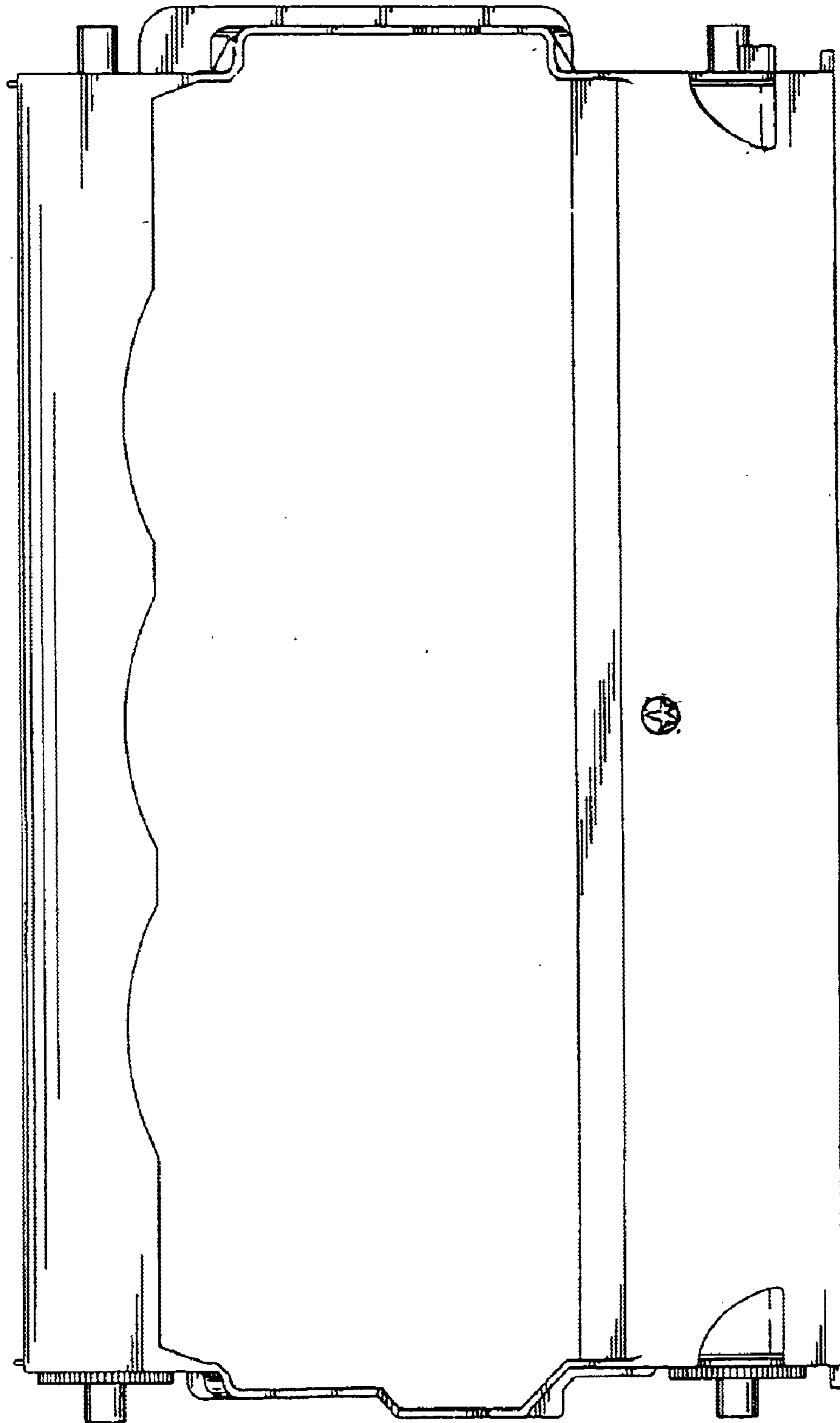


FIG. 1

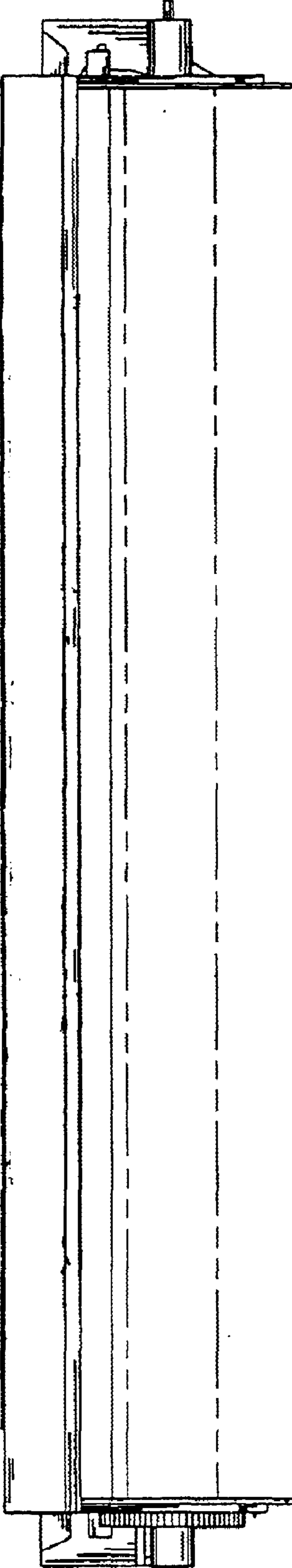


FIG. 2

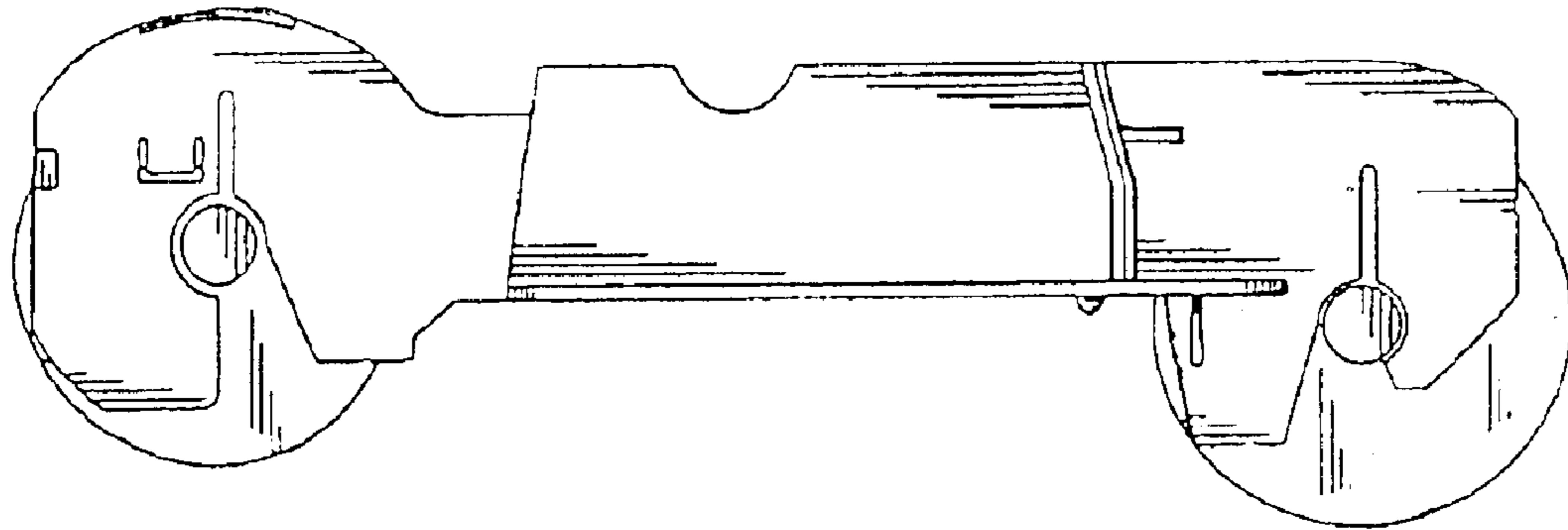


FIG. 3

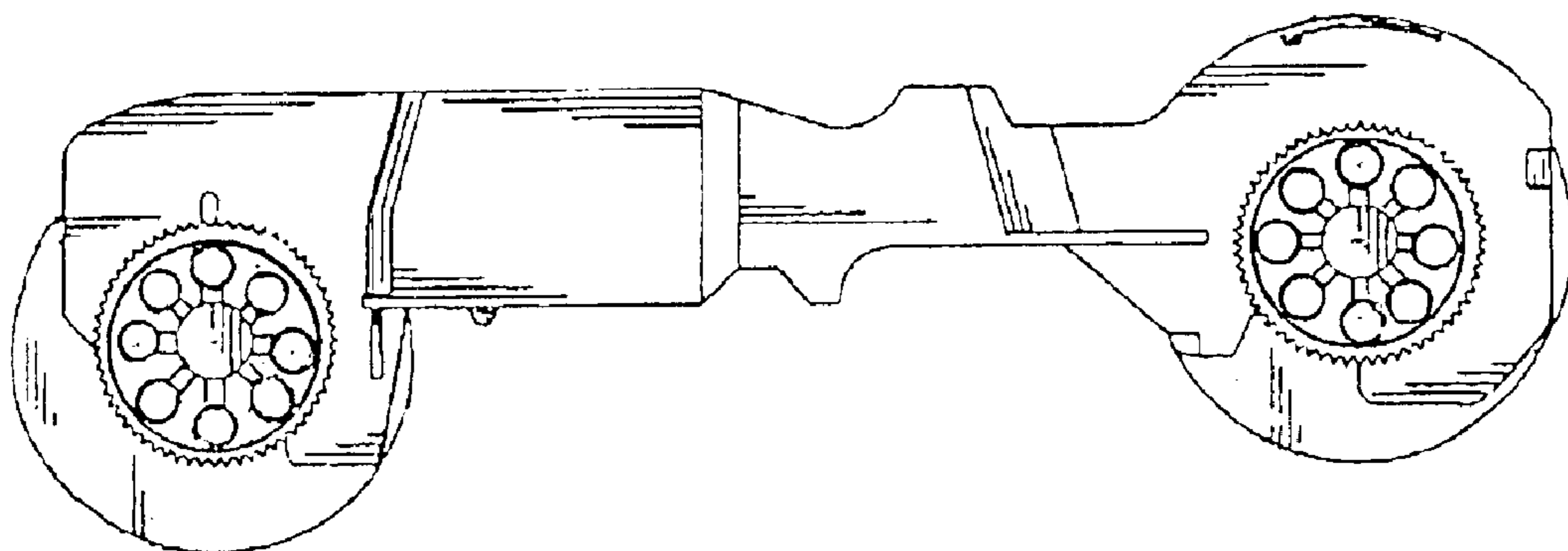


FIG. 4

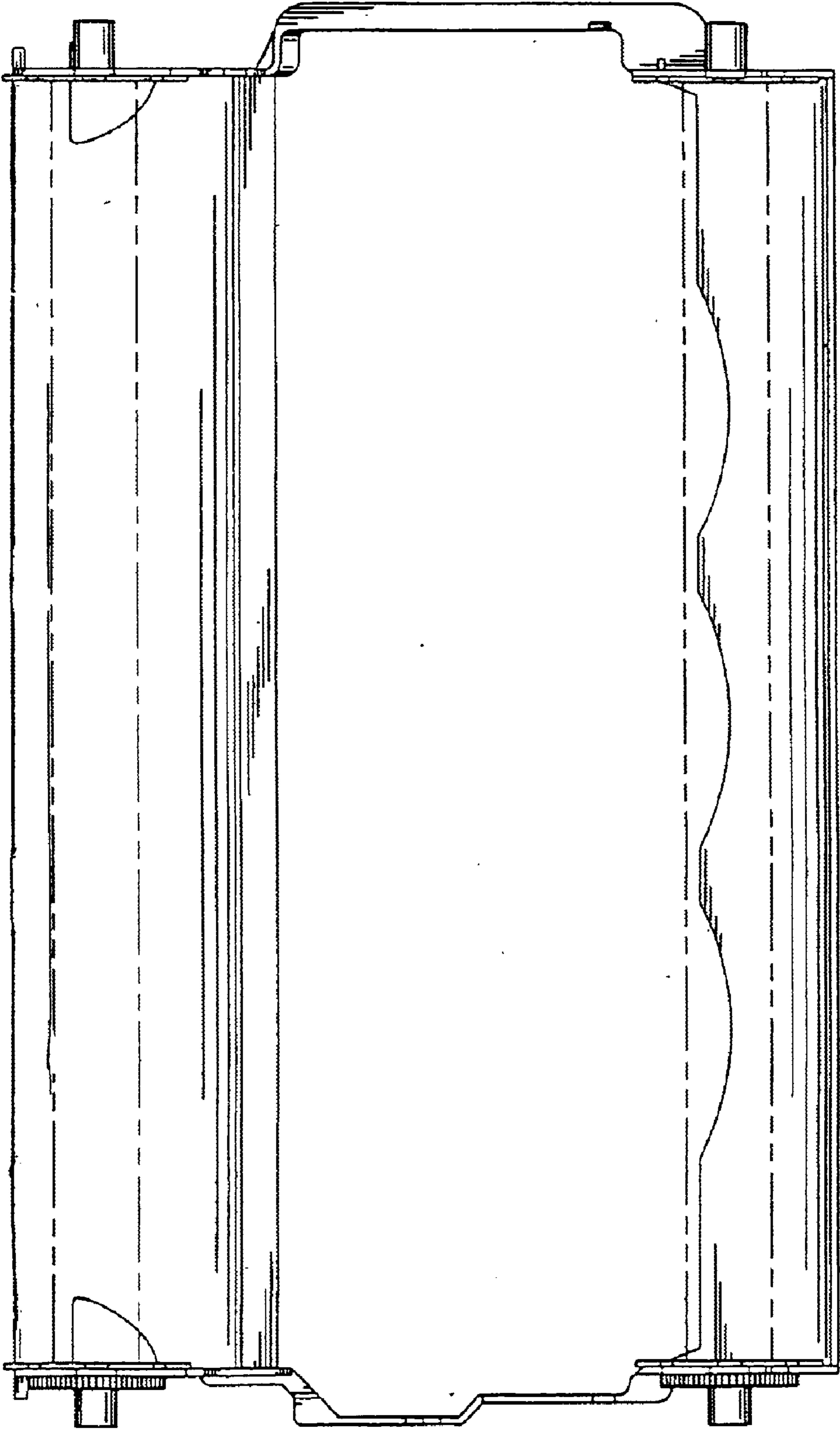


FIG. 5

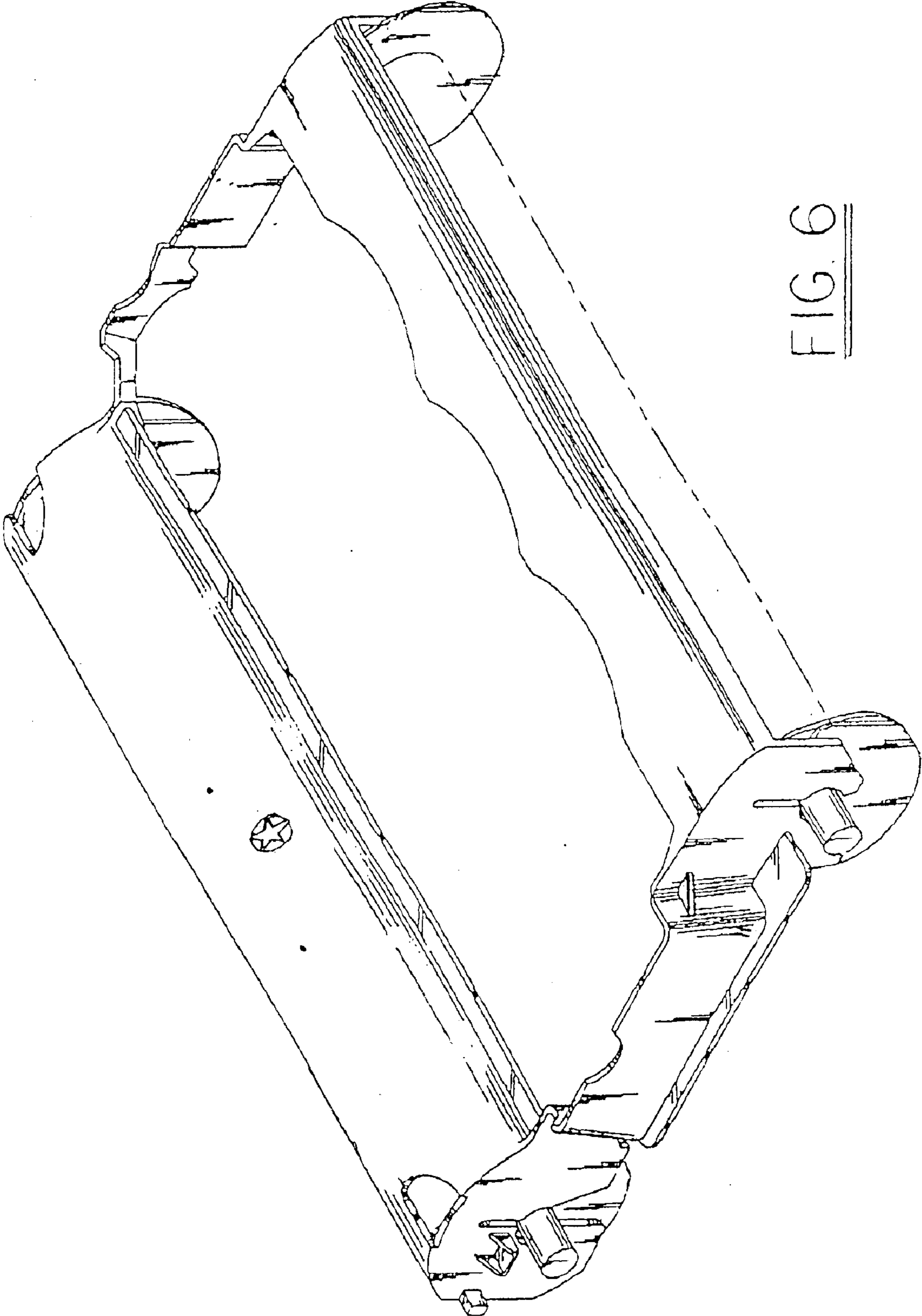


FIG. 6

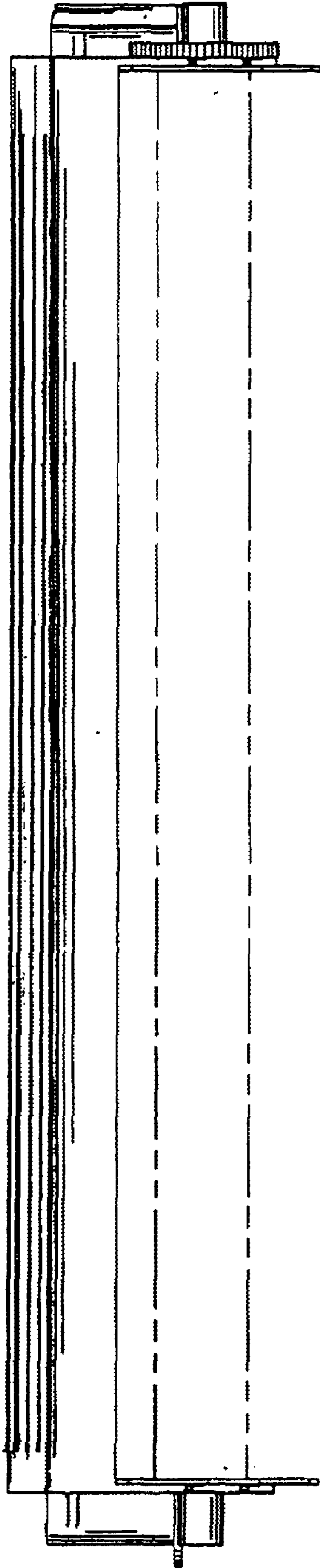


FIG. 7