



US00D504904S

(12) **United States Design Patent**
Nagai et al.

(10) **Patent No.:** **US D504,904 S**
(45) **Date of Patent:** **** May 10, 2005**

(54) **SURVEILLANCE CAMERA**

(75) Inventors: **Kouzi Nagai**, Tokyo (JP); **Hiroshi Shimada**, Tokyo (JP)

(73) Assignee: **Ikegami Tsushinki Co., Ltd.**, Tokyo (JP)

(**) Term: **14 Years**

(21) Appl. No.: **29/193,497**

(22) Filed: **Nov. 10, 2003**

(30) **Foreign Application Priority Data**

Sep. 2, 2003 (JP) 2003-025528

(51) **LOC (7) Cl.** **16-01**

(52) **U.S. Cl.** **D16/203**

(58) **Field of Search** D16/200-205,
D16/208, 218; 348/143, 151, 373-376;
358/906, 909.1; 396/427, 535, 536-541

(56) **References Cited**

U.S. PATENT DOCUMENTS

4,825,302 A * 4/1989 Tezuka et al. 358/906
5,032,919 A * 7/1991 Randmae 348/374

D339,365 S * 9/1993 Urcuilio D16/203
D465,504 S * 11/2002 Van Klinken D16/203
D474,221 S * 5/2003 Cheng D16/218

OTHER PUBLICATIONS

ICD-501 Super Cube DSVP Color Camera, description, specification and picture; Ikegami Electronics (USA) Inc. (admitted prior art).

* cited by examiner

Primary Examiner—Adir Aronovich

(57) **CLAIM**

The ornamental design for a surveillance camera, as shown and described.

DESCRIPTION

FIG. 1 is a perspective view of a surveillance camera of the present invention;
FIG. 2 is a front view of the surveillance camera;
FIG. 3 is a rear view of the surveillance camera;
FIG. 4 is a top view of the surveillance camera;
FIG. 5 is a bottom view of the surveillance camera;
FIG. 6 is a right side view of the surveillance camera; and,
FIG. 7 is a left side view of the surveillance camera.

1 Claim, 4 Drawing Sheets

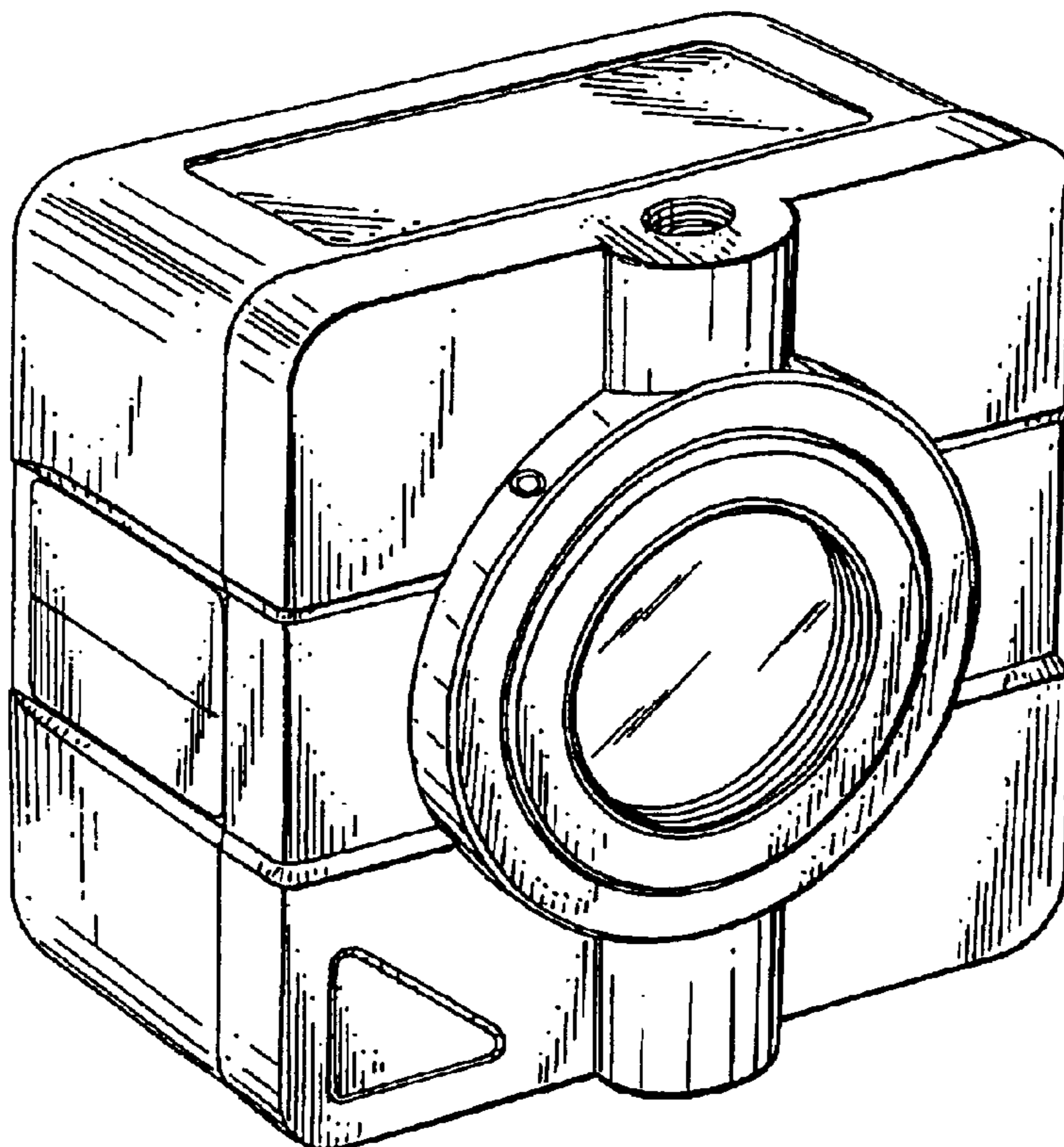


FIG. 1

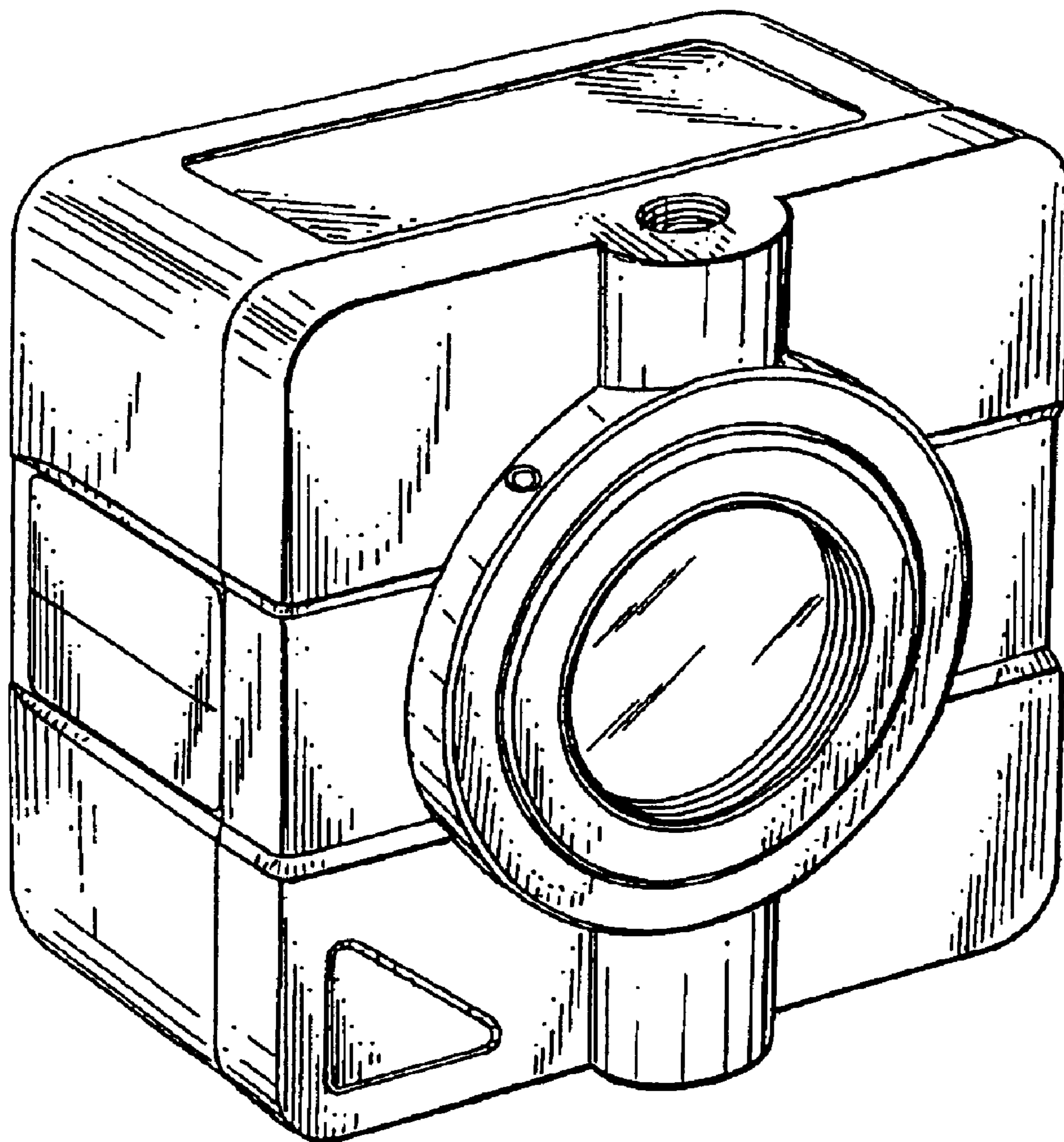


FIG. 2

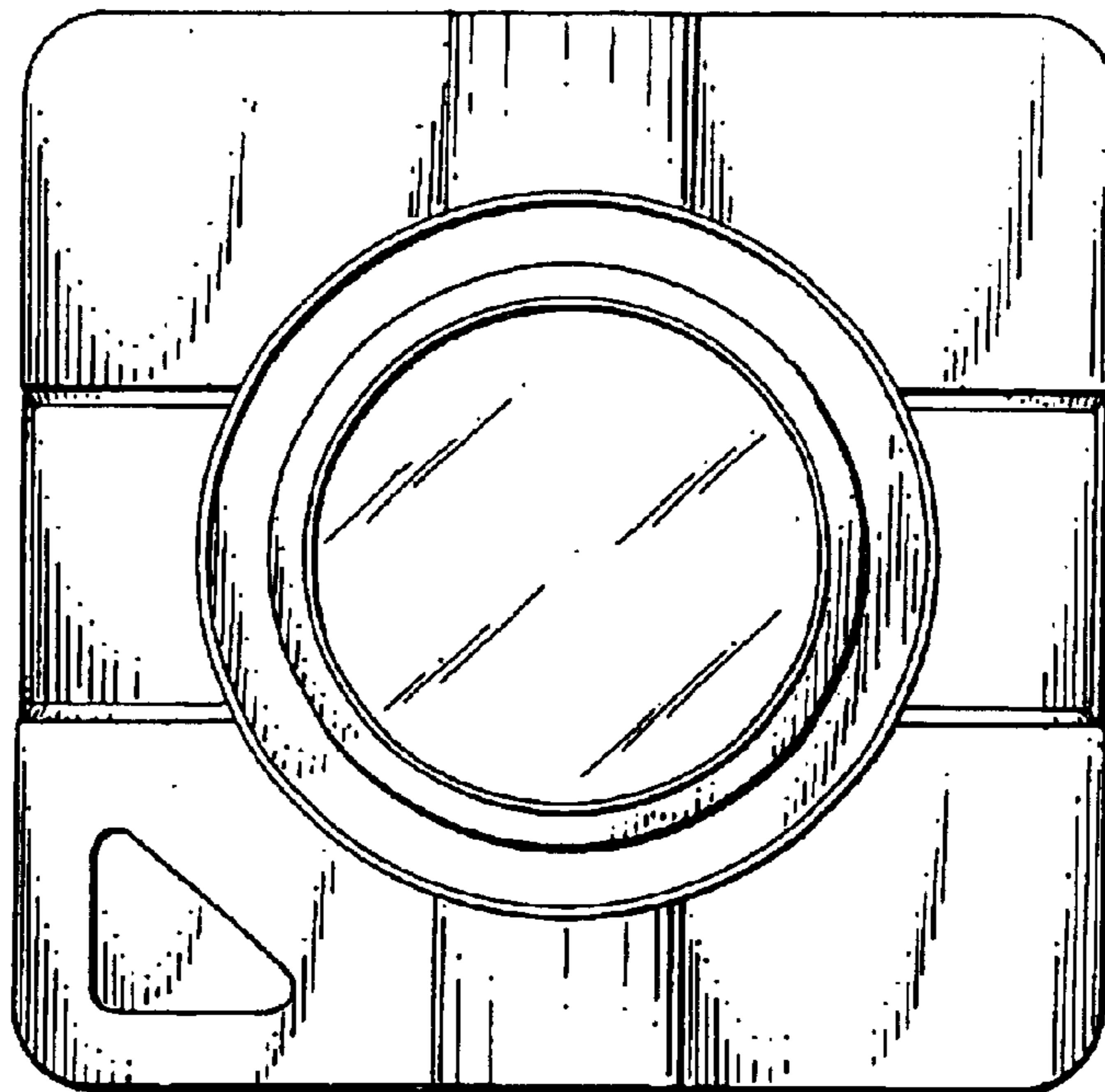


FIG. 3

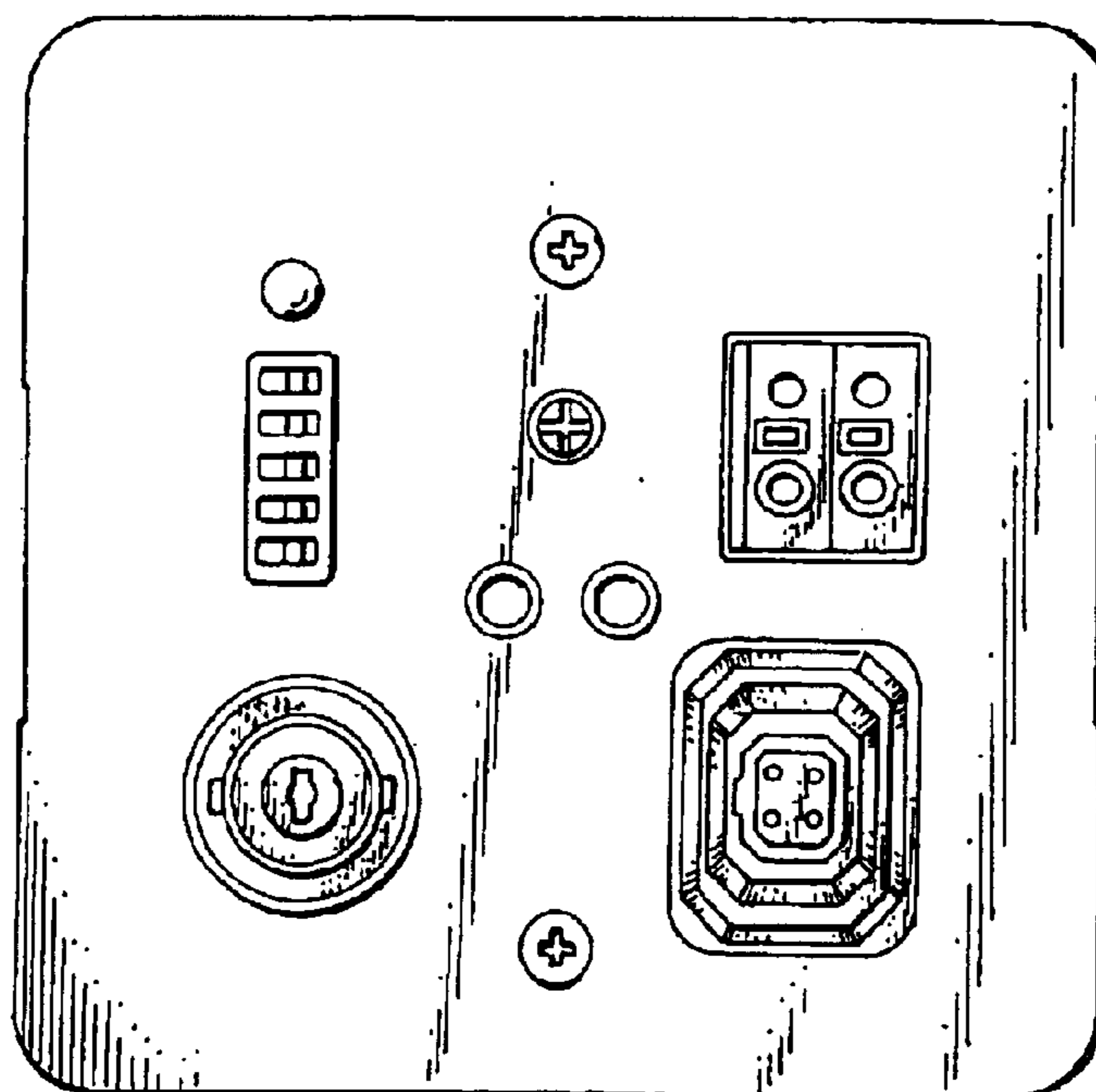


FIG. 4

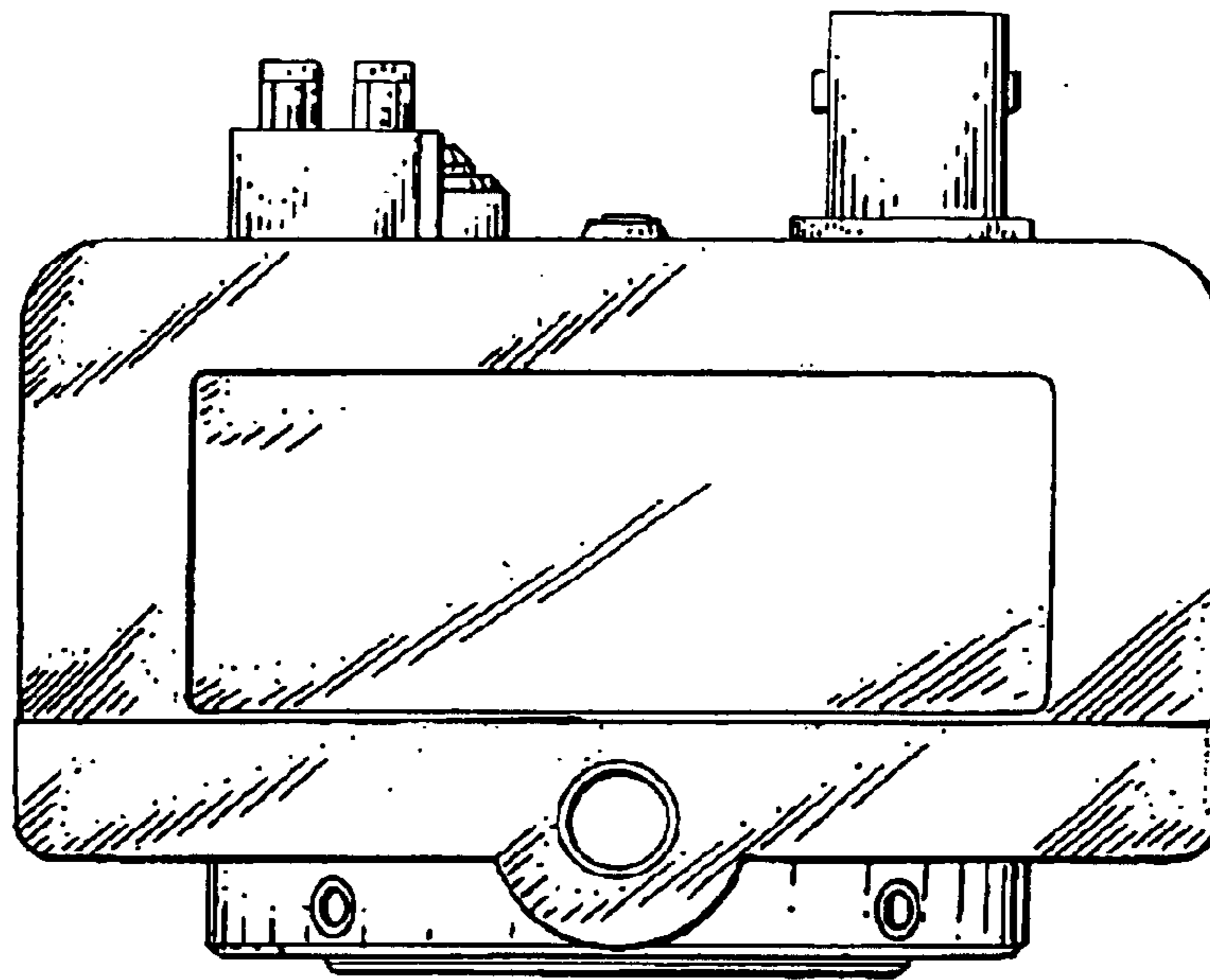


FIG. 5

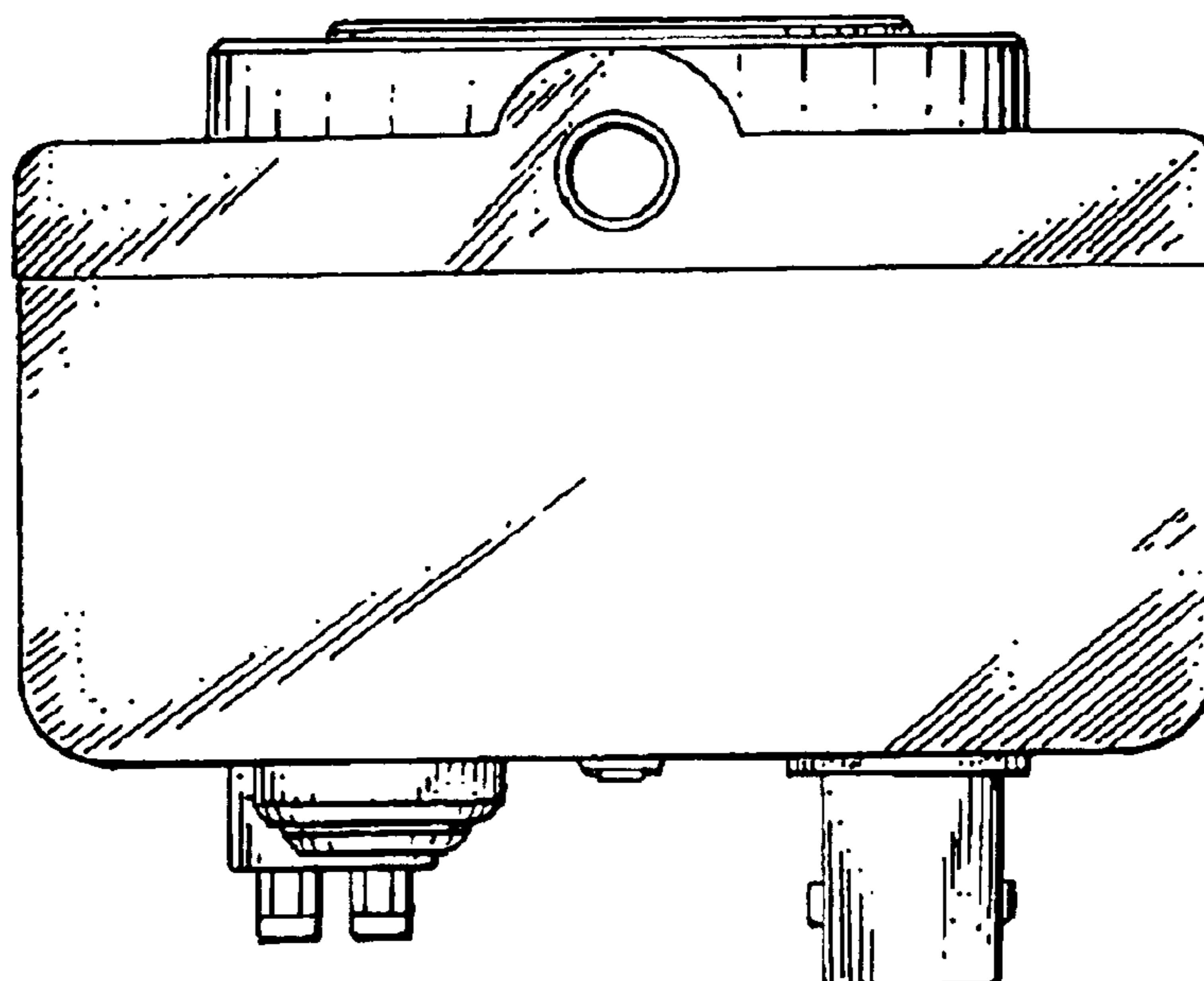


FIG. 6

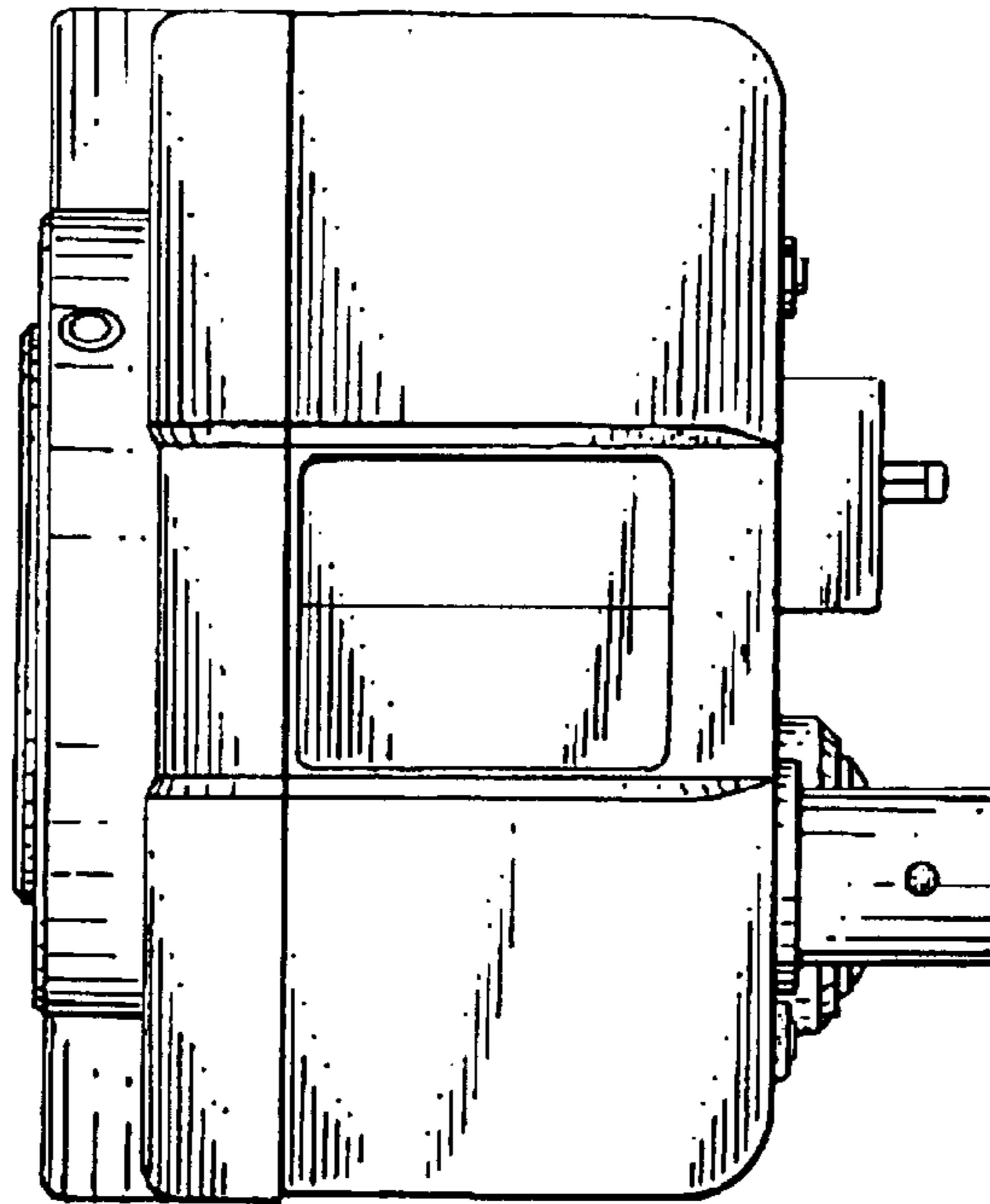


FIG. 7

