



US00D504903S

(12) **United States Design Patent** (10) **Patent No.:** **US D504,903 S**
Crisler, III et al. (45) **Date of Patent:** **** May 10, 2005**

(54) **WELDER**

(75) Inventors: **Howard E. Crisler, III**, Antioch, TN (US); **Roger L. DeYoung**, Franklin, TN (US); **David J. Moore**, Mt. Juliet, TN (US); **Brian L. Frost**, Mt. Juliet, TN (US)

(73) Assignee: **Campbell Hausfeld/Scott Fetzer Company**, Harrison, OH (US)

(**) Term: **14 Years**

(21) Appl. No.: **29/195,593**

(22) Filed: **Dec. 15, 2003**

(51) **LOC (7) Cl.** **15-09**

(52) **U.S. Cl.** **D15/144**

(58) **Field of Search** D15/144-144.2; 222/146.5, 152, 156, 397, 189.06; 219/424

(56) **References Cited**

U.S. PATENT DOCUMENTS

D357,263 S	*	4/1995	Soderholm	D15/144.2
D357,927 S	*	5/1995	Soderholm	D15/144.1
D416,030 S	*	11/1999	Weller et al.	D15/144.1
D454,578 S	*	3/2002	Armbruster et al.	D15/144
D467,257 S	*	12/2002	Andersson et al.	D15/144
D489,741 S	*	5/2004	Calco et al.	D15/144

* cited by examiner

Primary Examiner—Antoine D. Davis
(74) *Attorney, Agent, or Firm*—Jones Day

(57) **CLAIM**

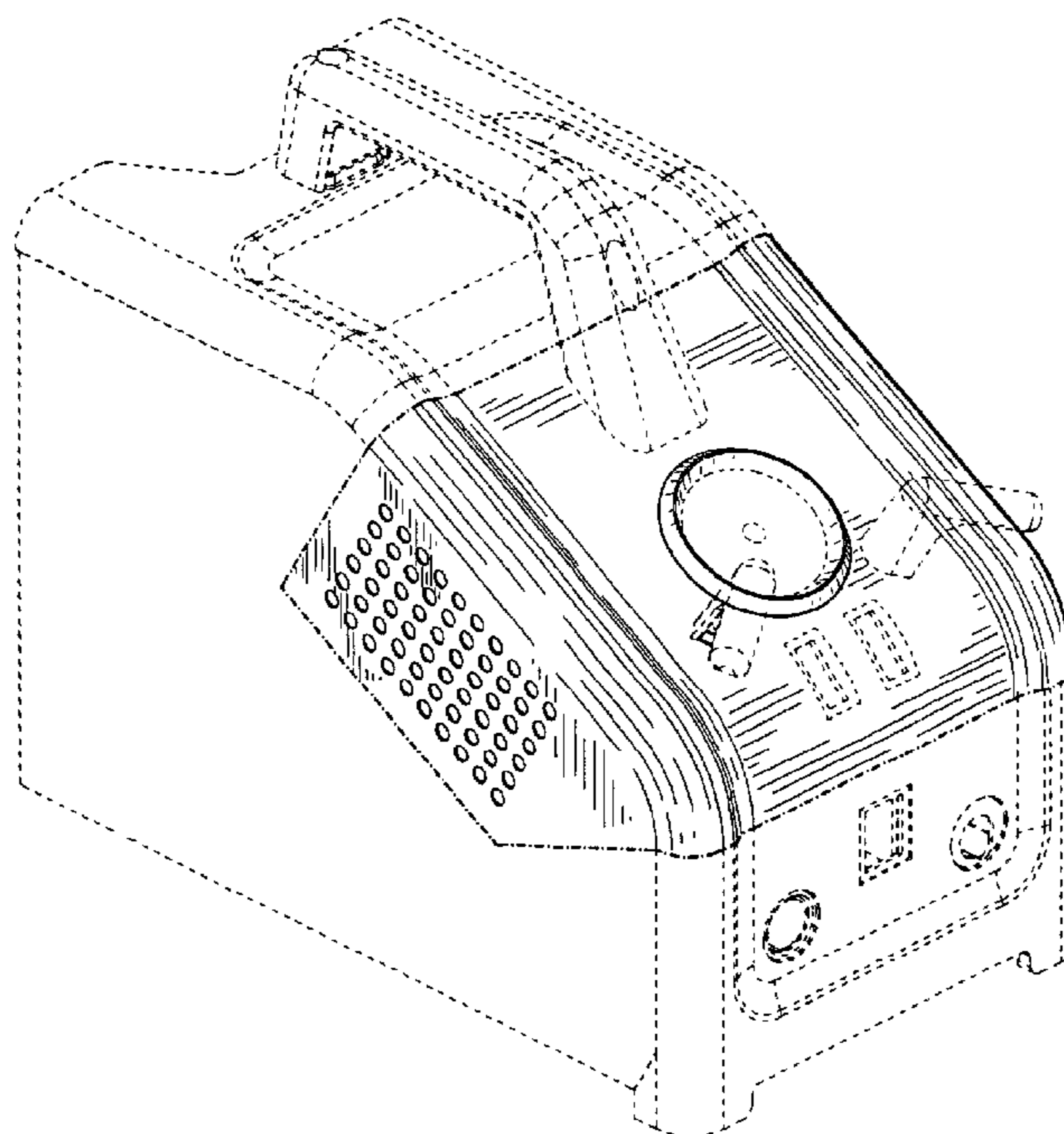
The ornamental design for a welder, as shown and described.

DESCRIPTION

FIG. 1 is a perspective view of a welder embodying the ornamental design of the present invention; FIG. 2 is a side view of the welder, the opposite side view being a mirror image; FIG. 3 is front view of the welder; FIG. 4 is a top view of the welder; and, FIG. 5 is a perspective view of another welder embodying the ornamental design of the present invention, in which dashed broken lines define unclaimed features, and dot-dash broken lines define boundaries of the claimed design. The broken lines in FIGS. 1-5 are for illustrative purposes only and form no part of the claimed design. More specifically, dashed broken lines define unclaimed features. Dot-dash broken lines, drawn with heavier weight than the dashed broken lines, define boundaries of the claimed design.

As shown in FIGS. 1-2, the claimed design includes a rectangular array of holes at both sides of the welder. Each array has a length extending parallel with an inclined top edge of the welder. The size of the holes in the array and the number of rows and columns in the array are not limited to the size of the holes and the number of rows and columns shown in FIGS. 1-2. This fact is illustrated by the welder of FIG. 5 having an array with larger holes, fewer rows and fewer columns than in FIG. 1, without departing from the claimed design.

1 Claim, 4 Drawing Sheets



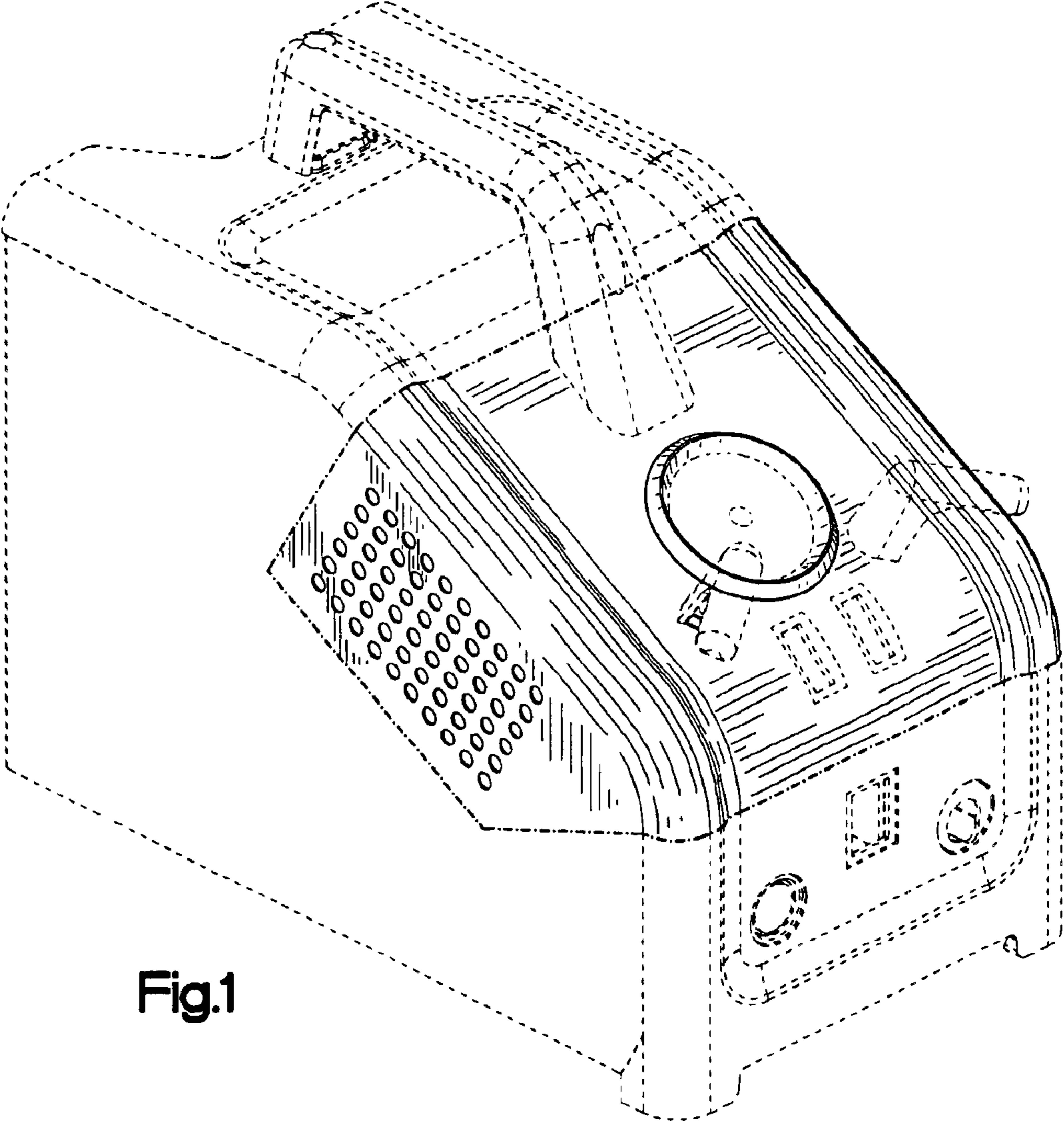


Fig.1

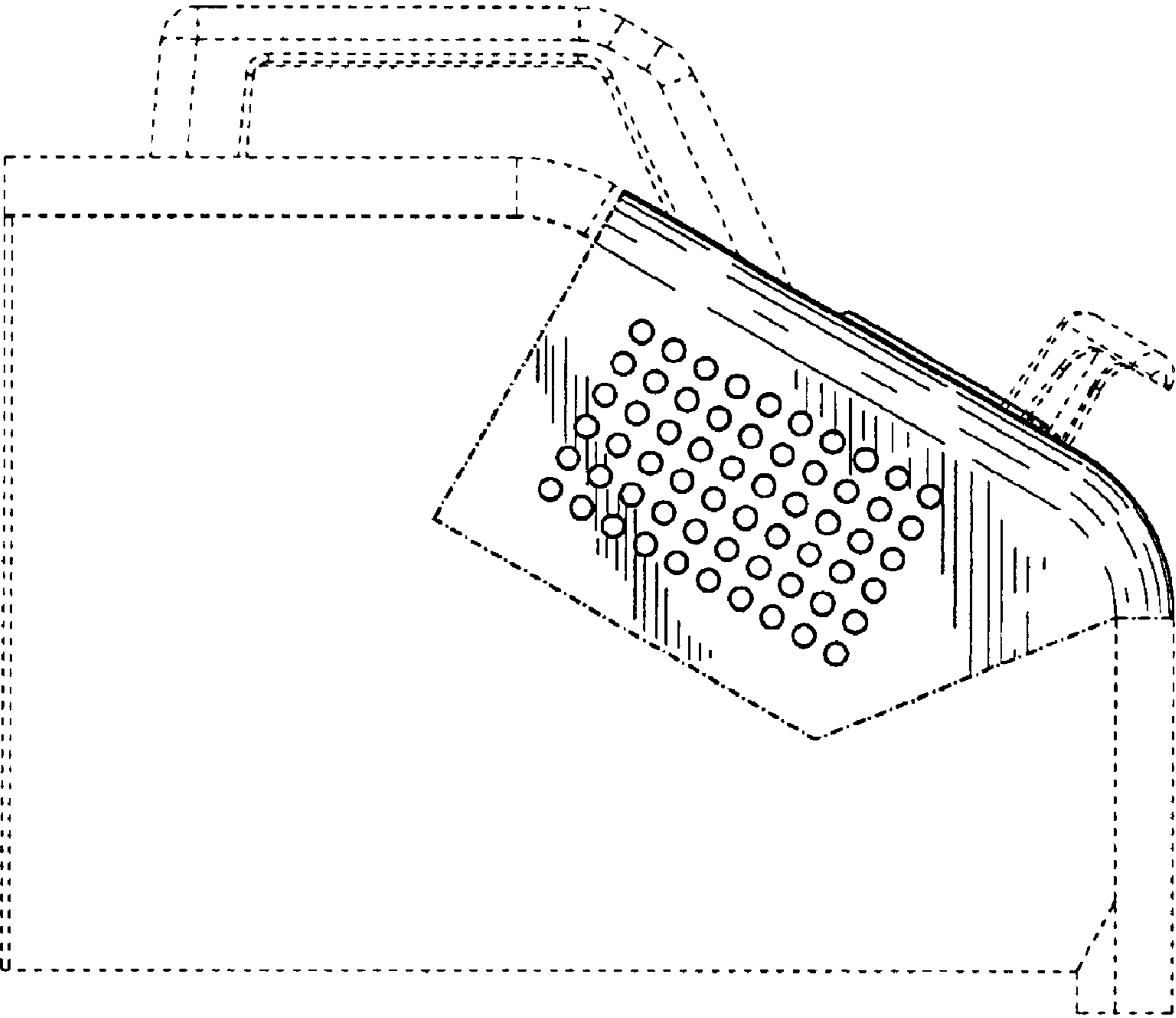


Fig.2

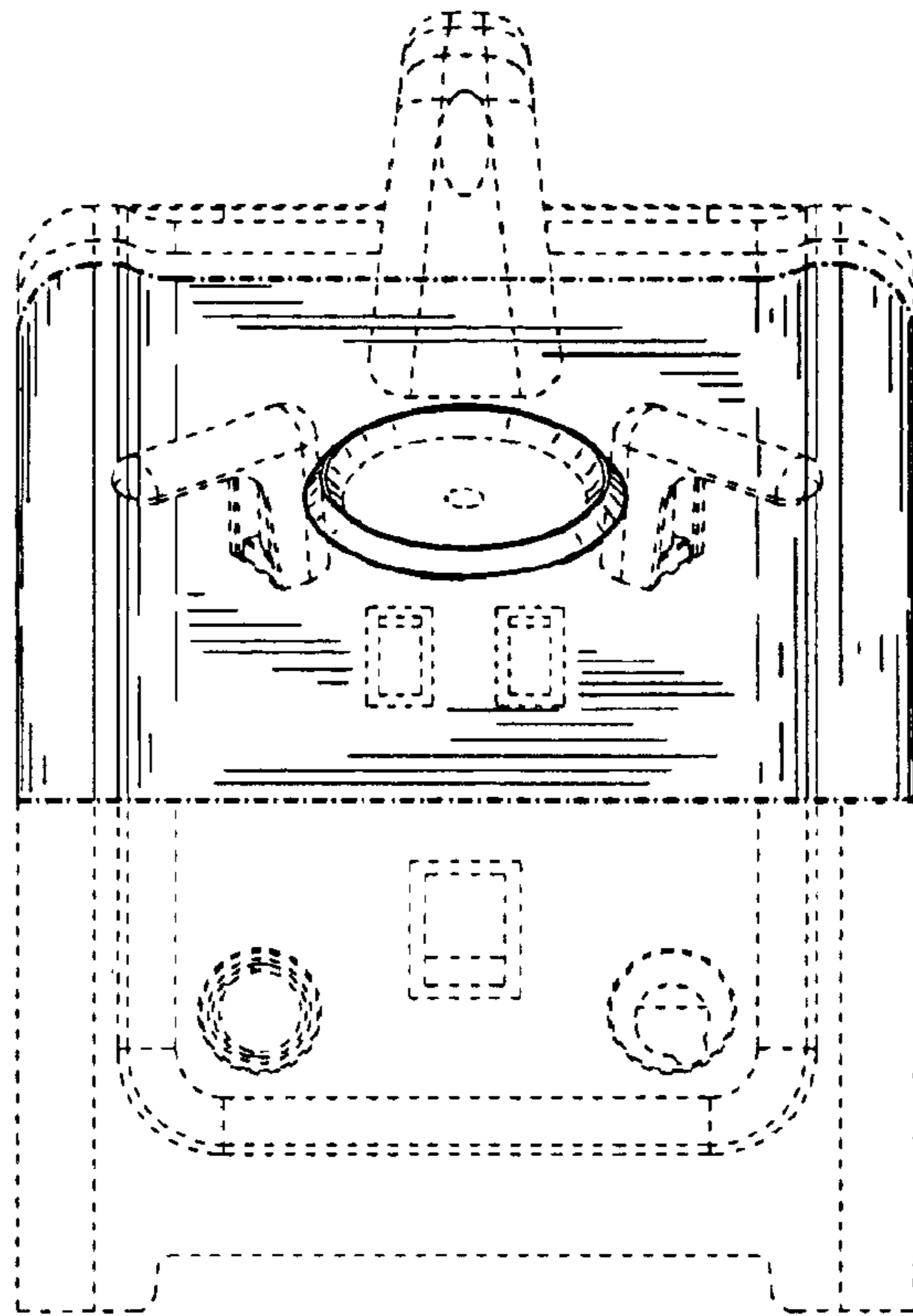


Fig.3

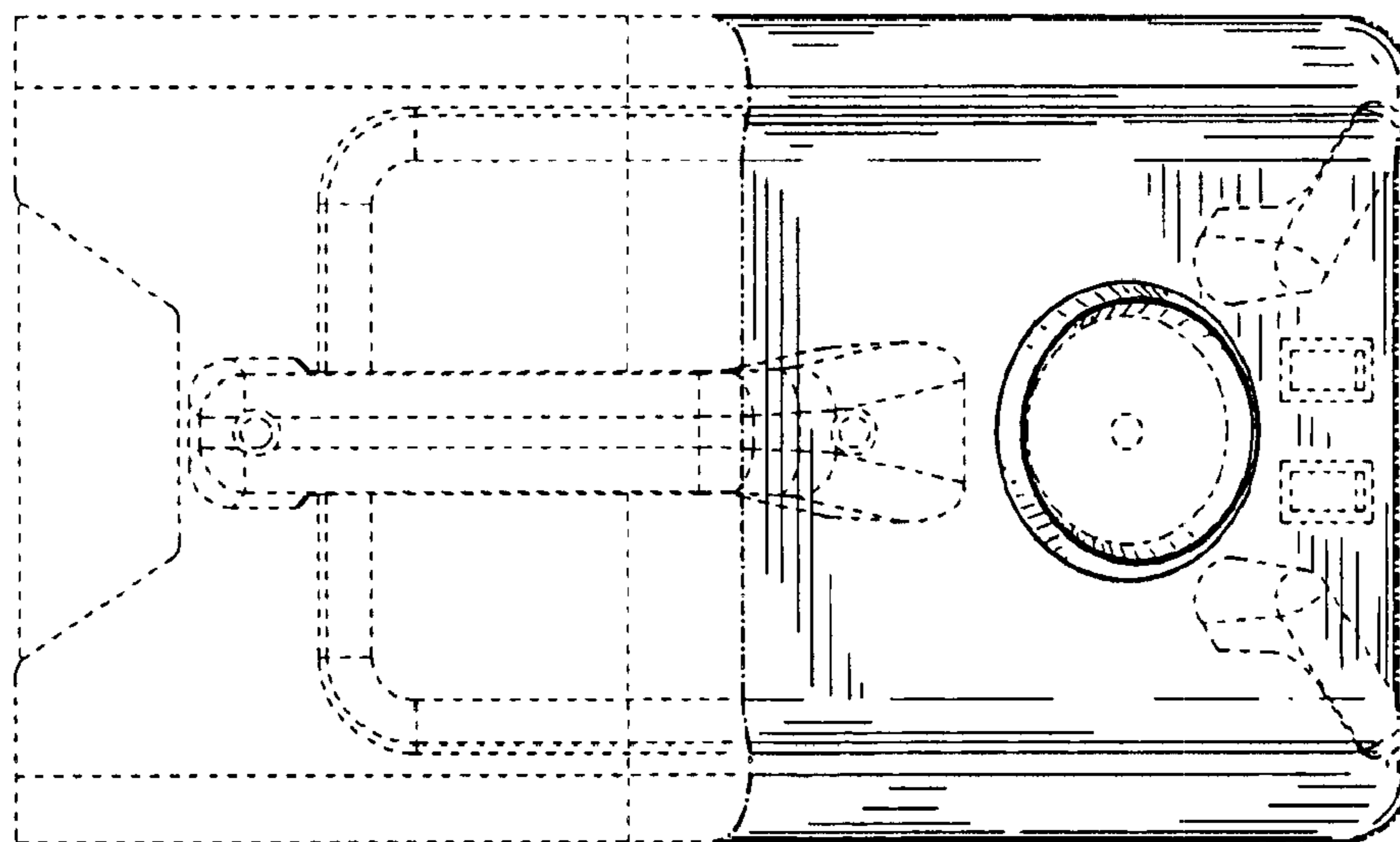


Fig.4

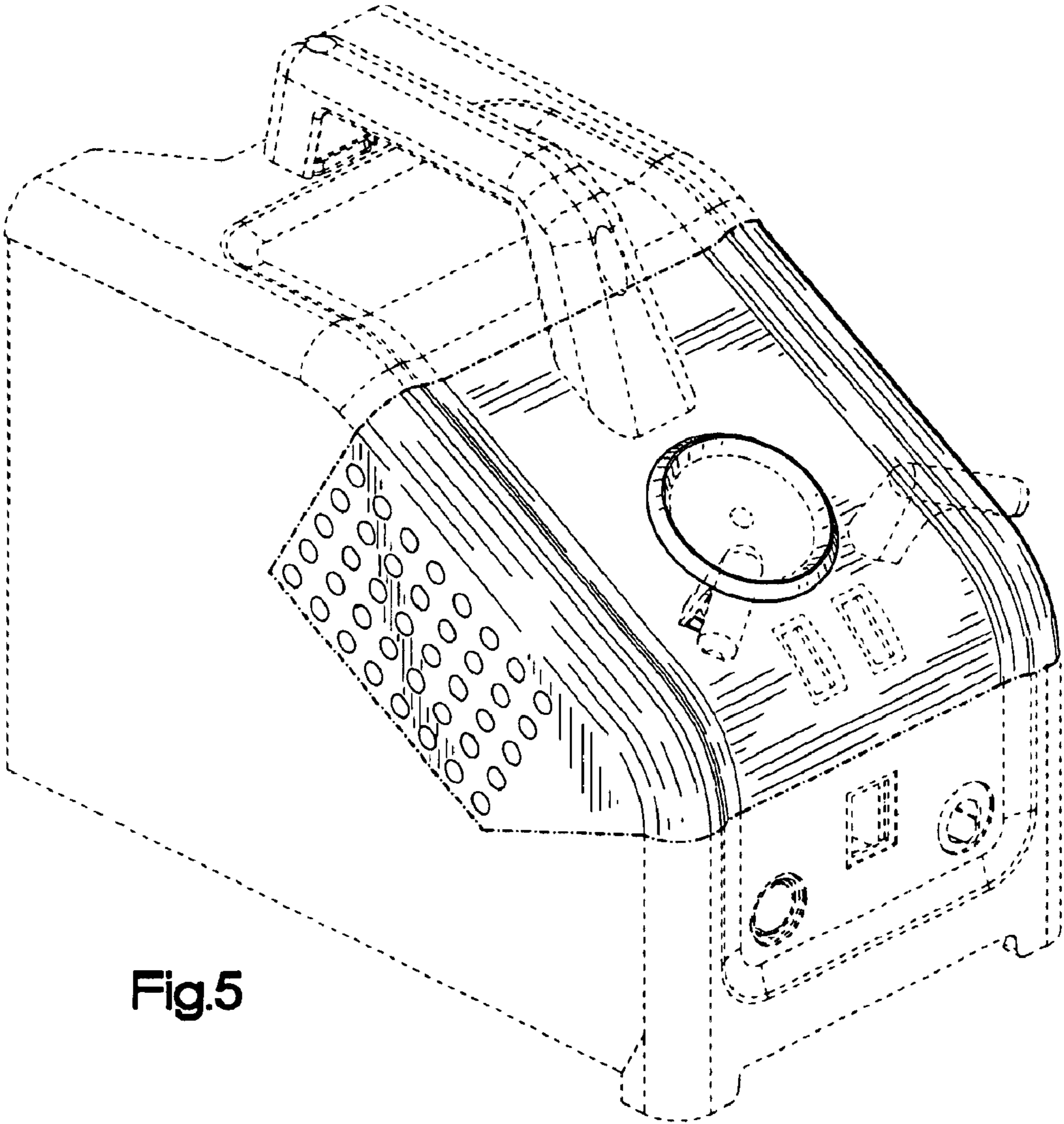


Fig.5