

US00D504900S

(12) **United States Design Patent**
Wang

(10) **Patent No.:** **US D504,900 S**

(45) **Date of Patent:** **** May 10, 2005**

(54) **WATER PUMP**

(75) **Inventor:** **Yu-Chin Wang, Taipei (TW)**

(73) **Assignee:** **Eiko Electric Products Corp., Taipei (TW)**

(**) **Term:** **14 Years**

(21) **Appl. No.:** **29/206,828**

(22) **Filed:** **Jun. 4, 2004**

(51) **LOC (7) Cl.** **15-02**

(52) **U.S. Cl.** **D15/7**

(58) **Field of Search** D15/7-9; D23/231,
D23/232; 417/410.4, 359, 415, 410.3, 234,
229, 321, 265, 405

(56) **References Cited**

U.S. PATENT DOCUMENTS

- D300,433 S * 3/1989 Byar et al. D15/9
- D306,449 S * 3/1990 Shannon D15/8
- D376,370 S * 12/1996 Davis et al. D15/7

- D403,329 S * 12/1998 Walker et al. D15/7
- D403,330 S * 12/1998 Williams D15/9
- D449,115 S * 10/2001 Harris et al. D25/56
- D498,483 S * 11/2004 Chen D15/9

* cited by examiner

Primary Examiner—Ralf Seifert

(74) *Attorney, Agent, or Firm*—Troxell Law Office, PLLC

(57) **CLAIM**

The design for the water pump, as shown and described.

DESCRIPTION

FIG. 1 is a perspective view of the appearance of my new design;

FIG. 2 is a front view thereof;

FIG. 3 is a rear view thereof;

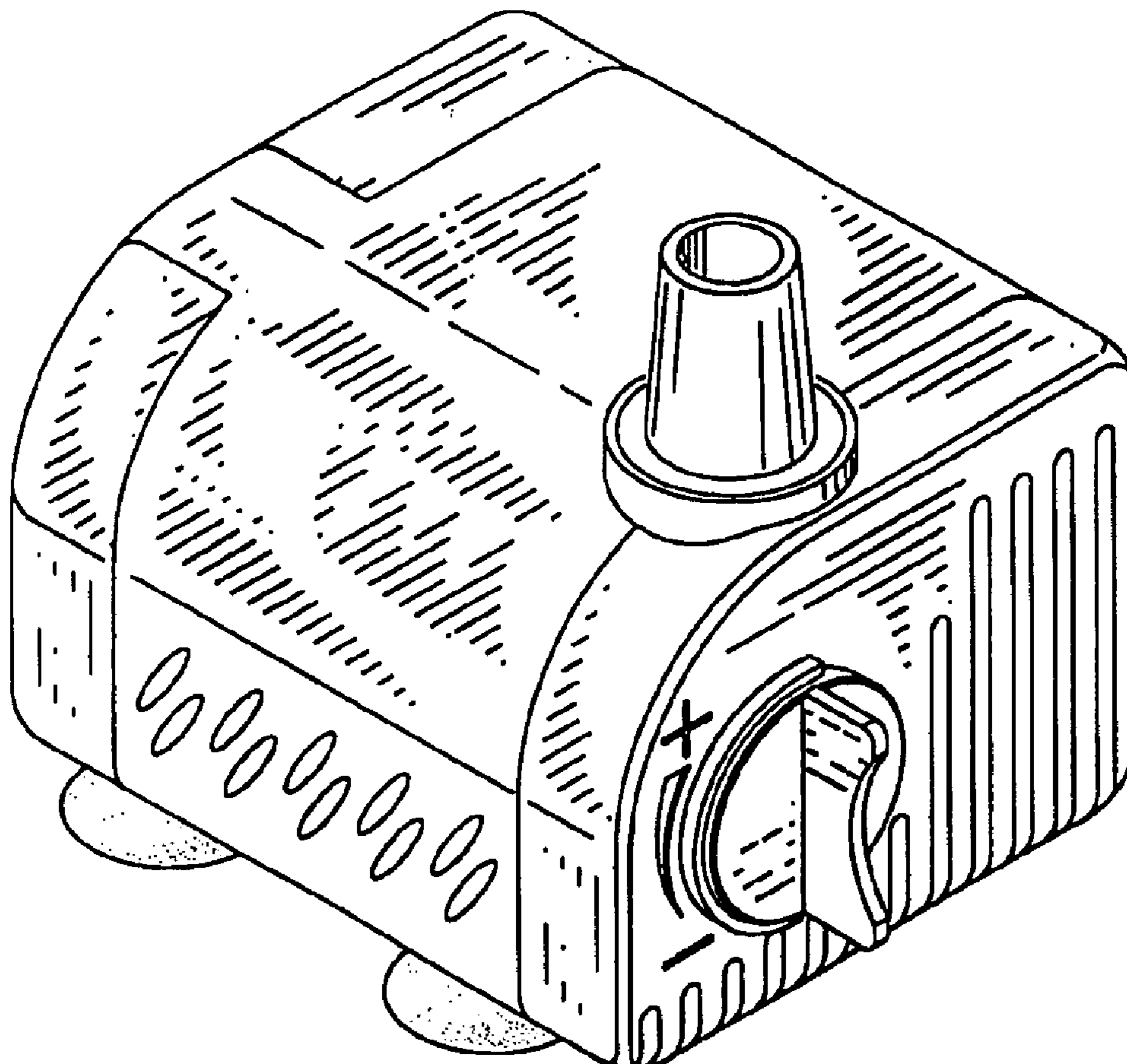
FIG. 4 is a left side view thereof;

FIG. 5 is a right side view thereof;

FIG. 6 is a top view thereof; and,

FIG. 7 is a bottom view thereof.

1 Claim, 4 Drawing Sheets



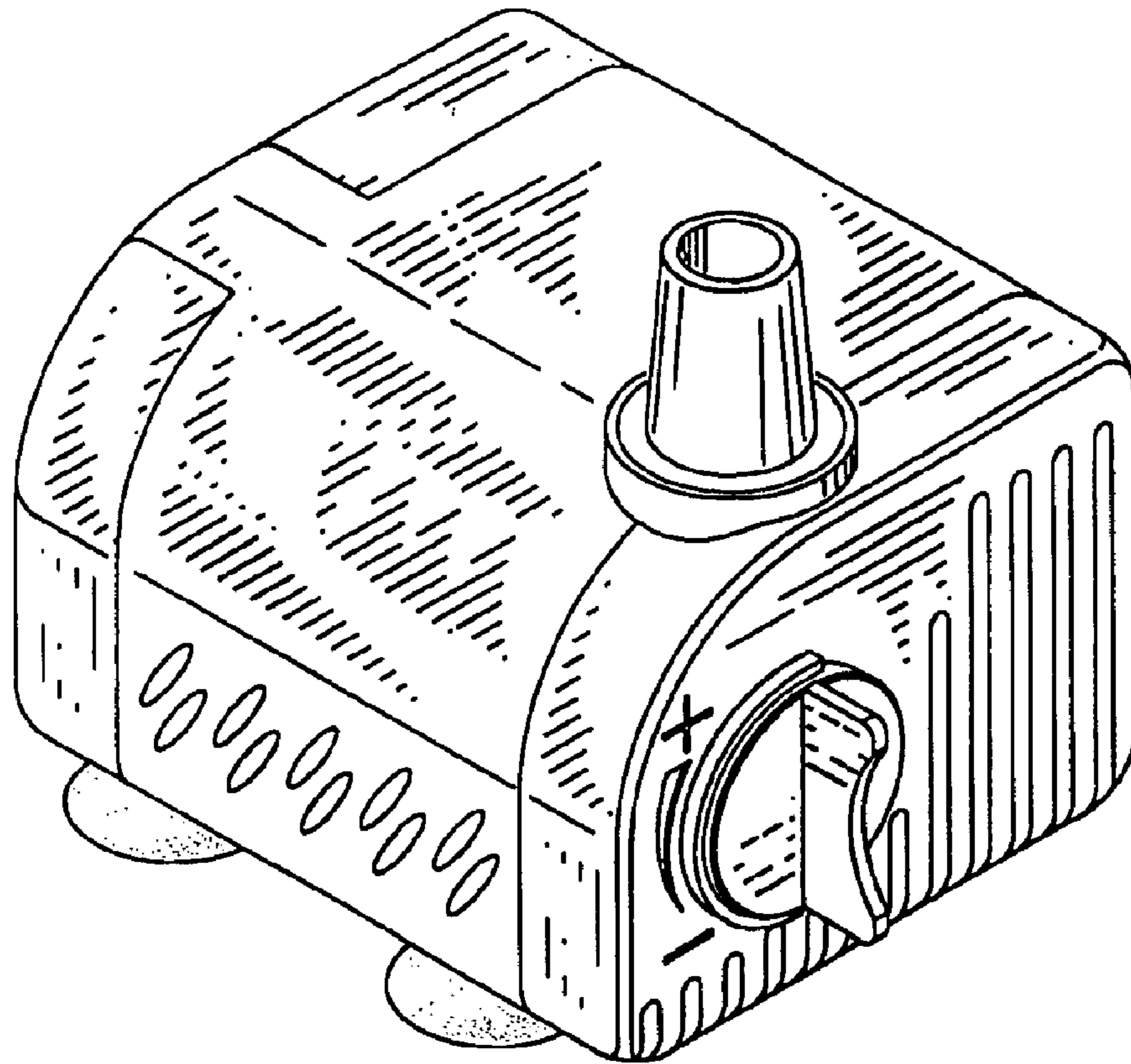


FIG. 1

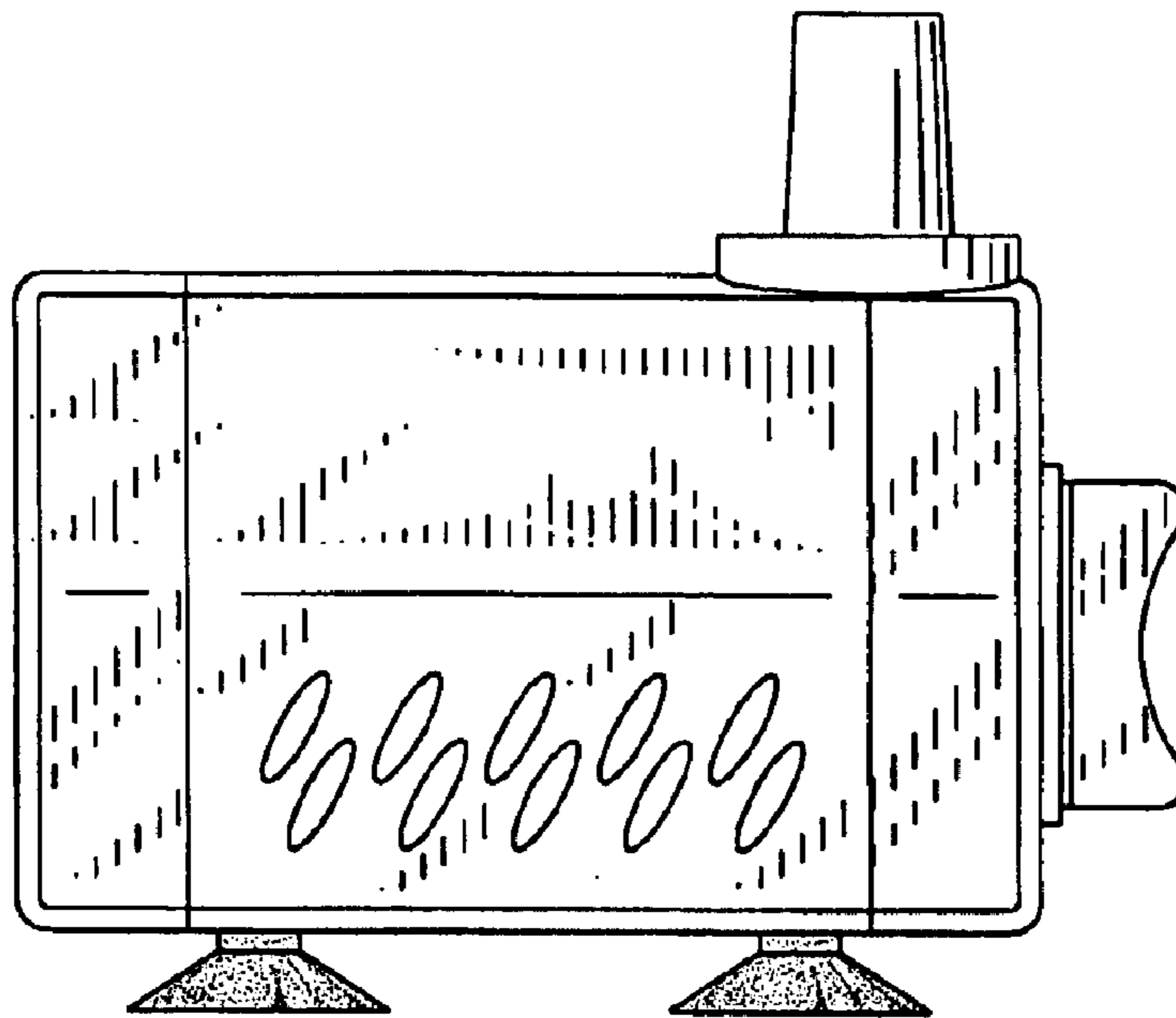


FIG. 2

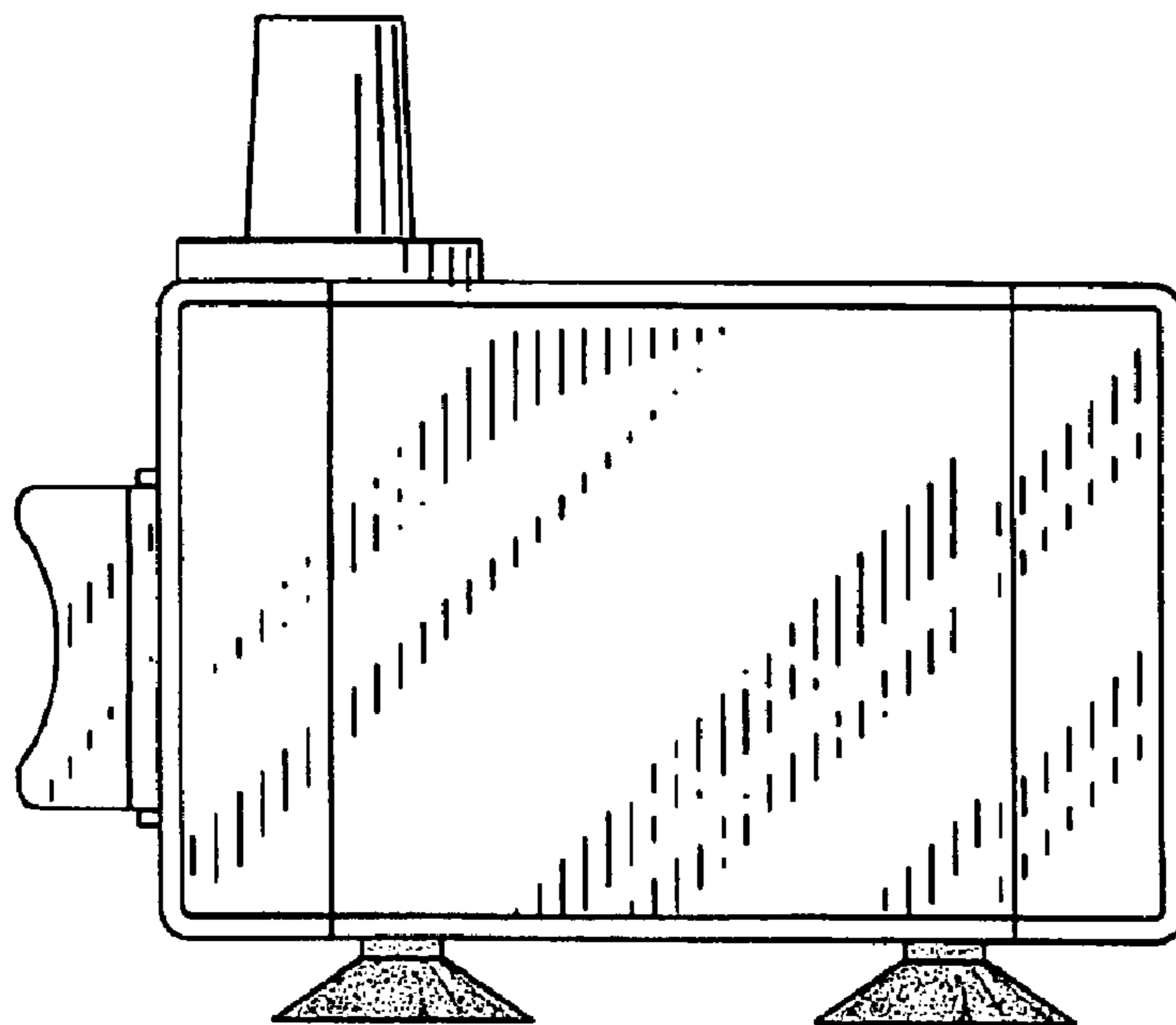


FIG. 3

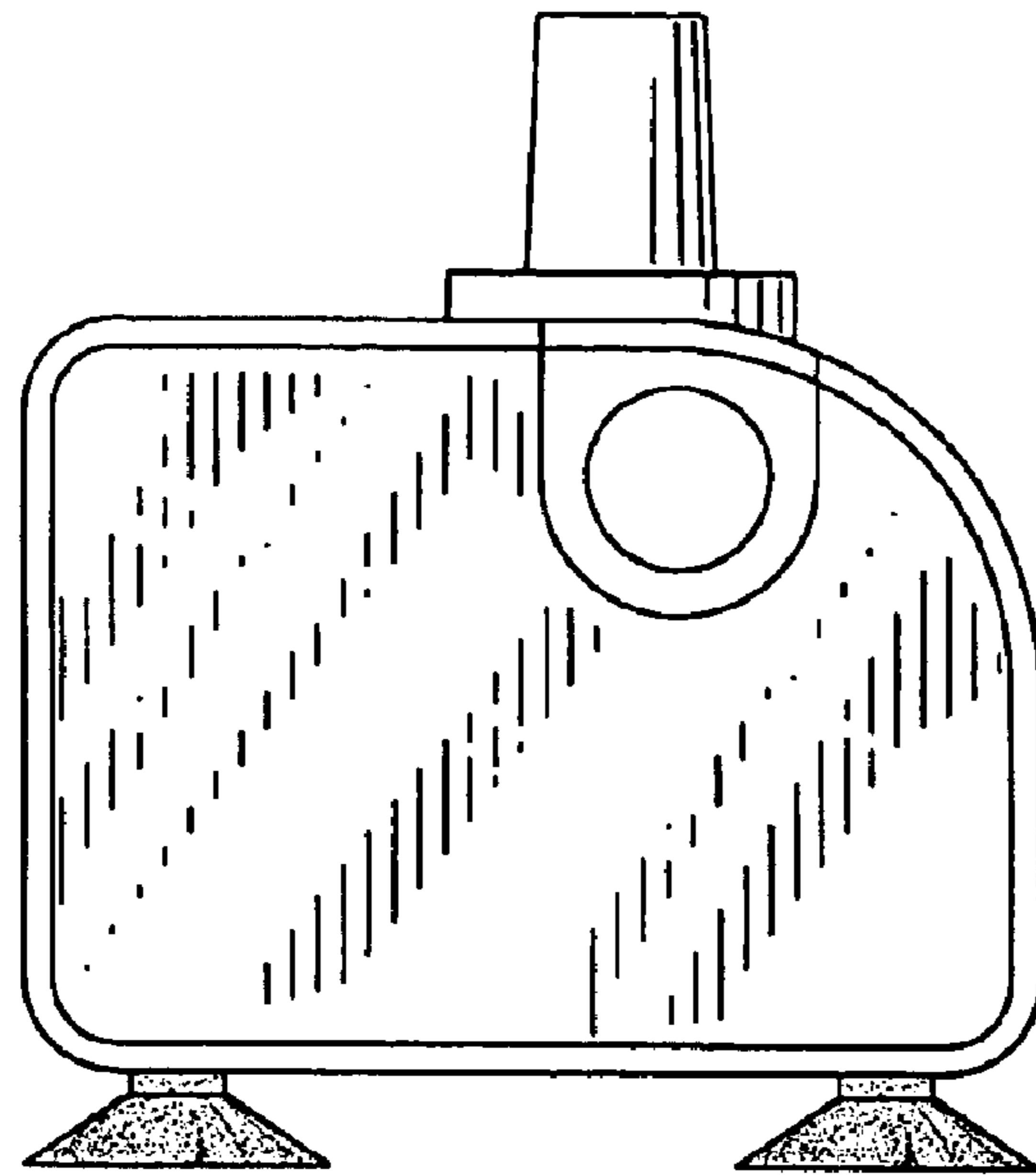


FIG. 4

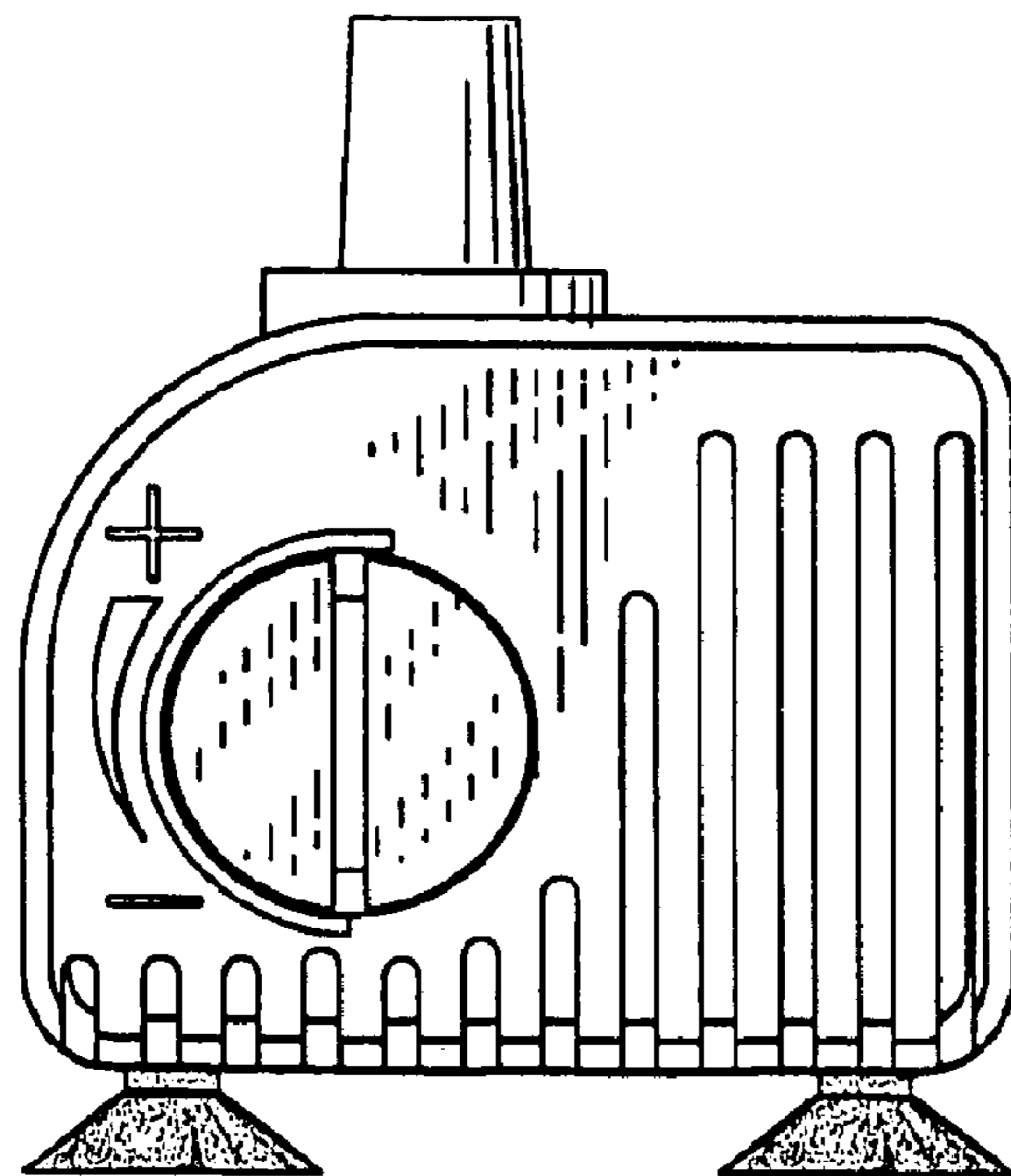


FIG. 5

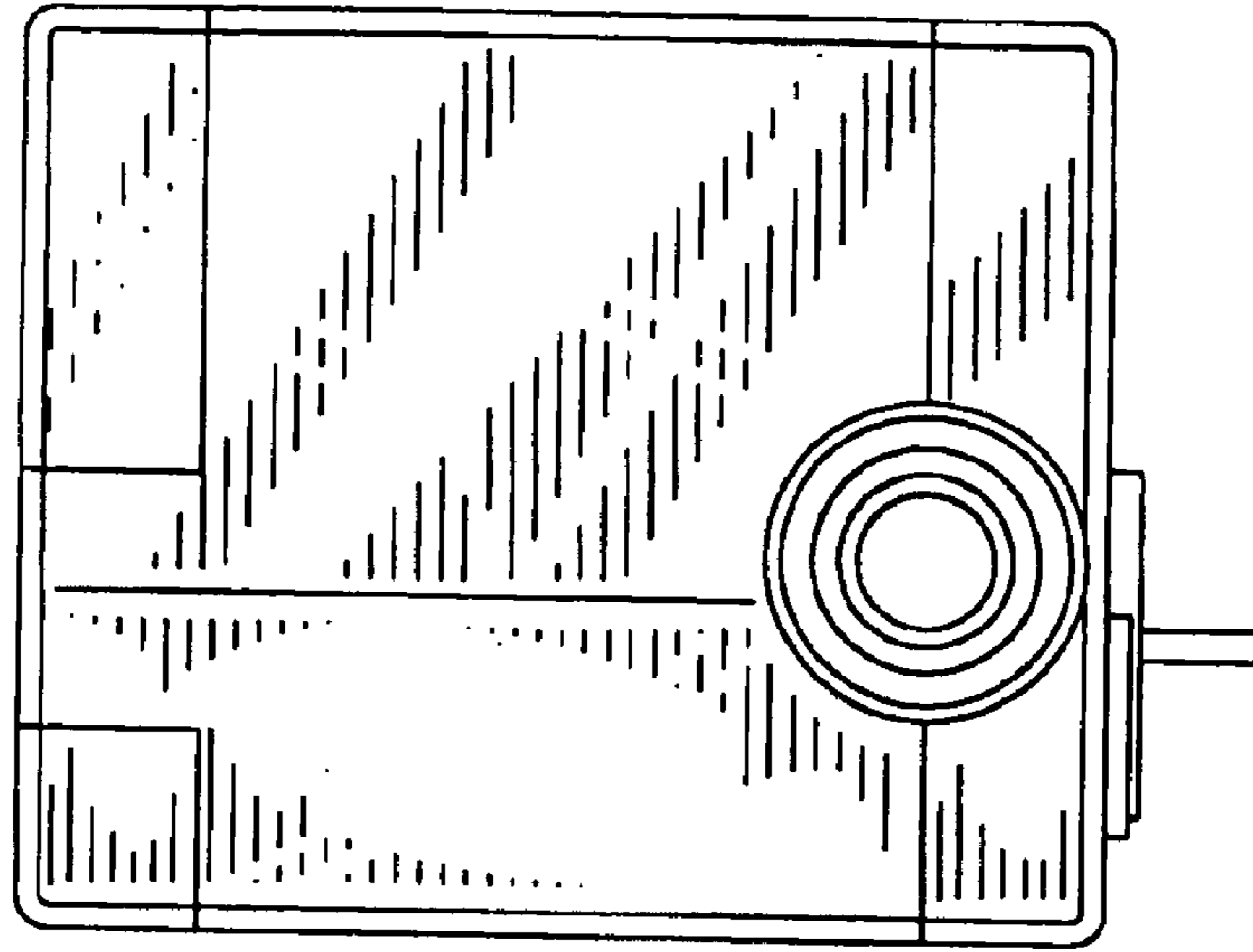


FIG. 6

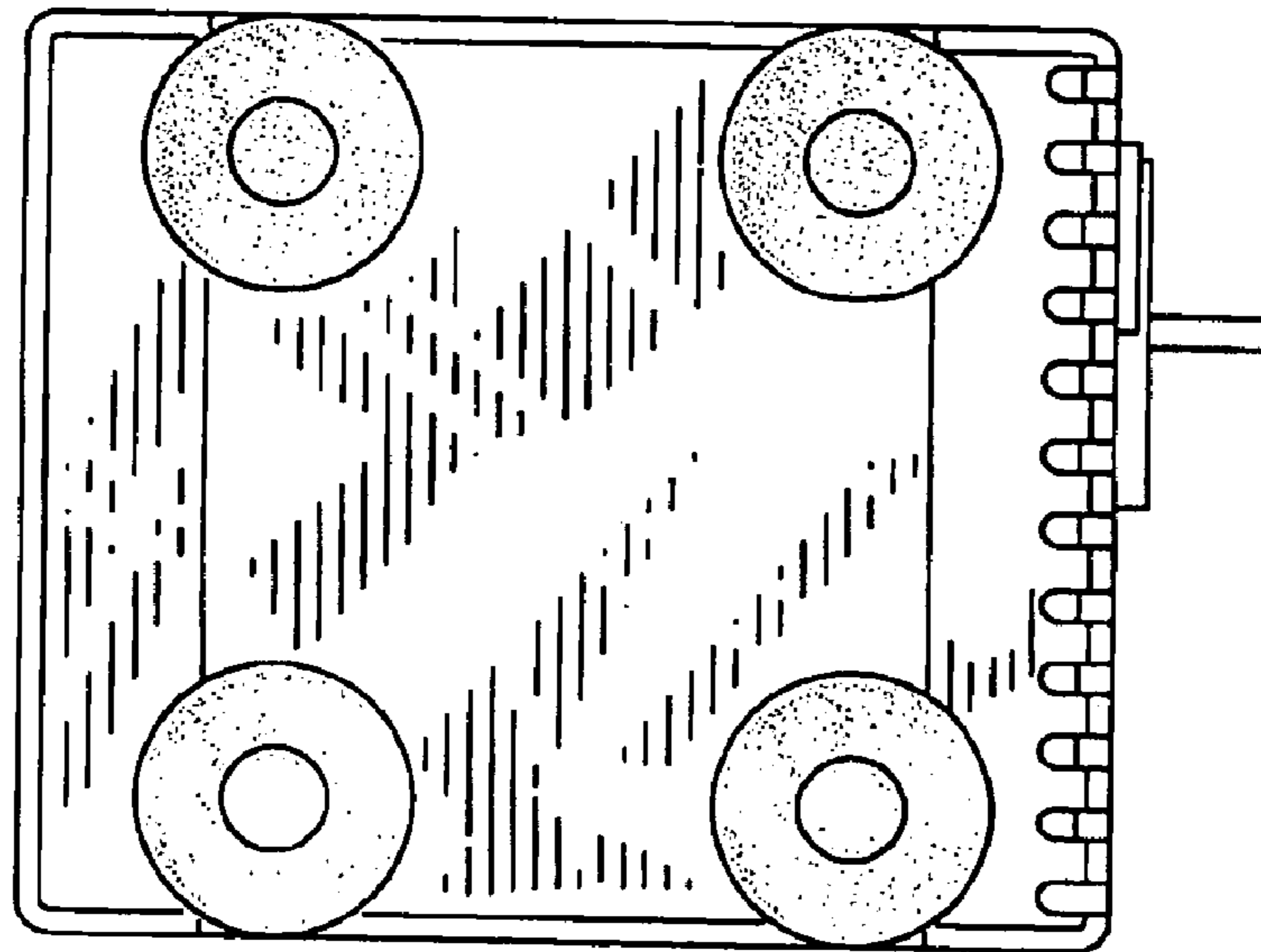


FIG. 7