

US00D504895S

(12) **United States Design Patent**  
**Frank et al.**

(10) **Patent No.:** **US D504,895 S**  
(45) **Date of Patent:** **\*\* May 10, 2005**

(54) **COMPUTER HOUSING**

D473,235 S \* 4/2003 Loftus ..... D14/444

(75) Inventors: **Christopher H. Frank**, San Jose, CA (US); **John D. Schnabel**, Fareham (GB); **Simon J. Matthews**, London (GB); **Stephen de Saulles**, London (GB); **James R. Kitchen**, Nr Tadley (GB)

\* cited by examiner

*Primary Examiner*—Freda S. Nunn  
(74) *Attorney, Agent, or Firm*—Meyertons Hood Kivlin Kowert & Goetzel, P.C.; B. Noël Kivlin

(73) Assignee: **Sun Microsystems, Inc.**, Santa Clara, CA (US)

(57) **CLAIM**

The ornamental design for a computer housing, as shown and described.

(\*\*) Term: **14 Years**

**DESCRIPTION**

(21) Appl. No.: **29/200,582**

FIG. 1 is a right perspective view of a computer housing;  
FIG. 2 is a left perspective view of a computer housing;  
FIG. 3 is a right side view of a computer housing  
FIG. 4 is a front view of a computer housing;  
FIG. 5 is a left side view of a computer housing;  
FIG. 6 is a top view of a computer housing; and,  
FIG. 7 is a bottom view of a computer housing.

(22) Filed: **Mar. 1, 2004**

(51) **LOC (7) Cl.** ..... **14-02**

(52) **U.S. Cl.** ..... **D14/441; D14/349**

(58) **Field of Search** ..... D14/308, 348,  
D14/349, 444, 351–356; D13/162, 184,  
199; 312/223.2; 360/99.01–99.12; 361/690–696;  
369/34.01, 36.01

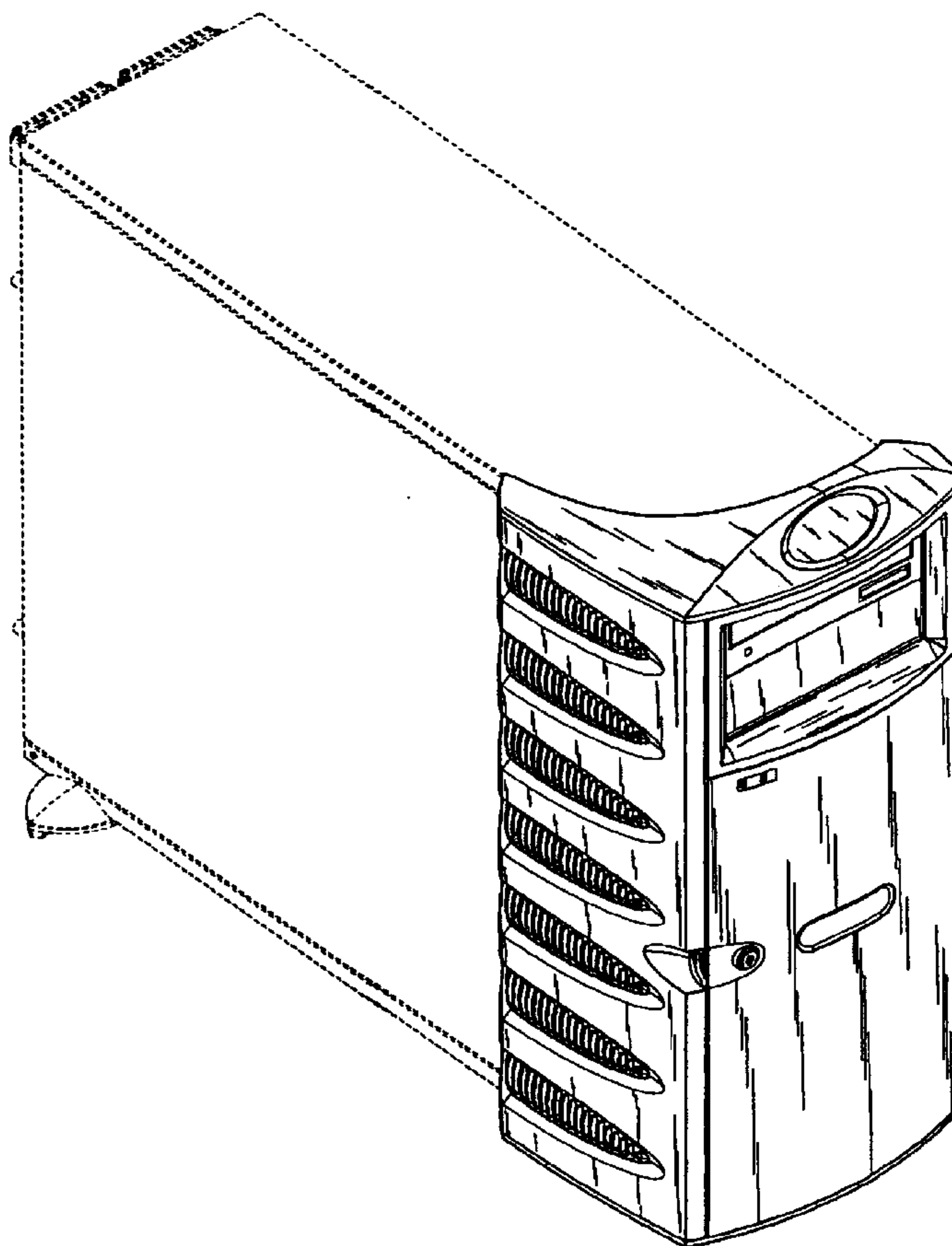
The broken lines are shown in the views for illustrative purposes only and form no part of the claimed design.

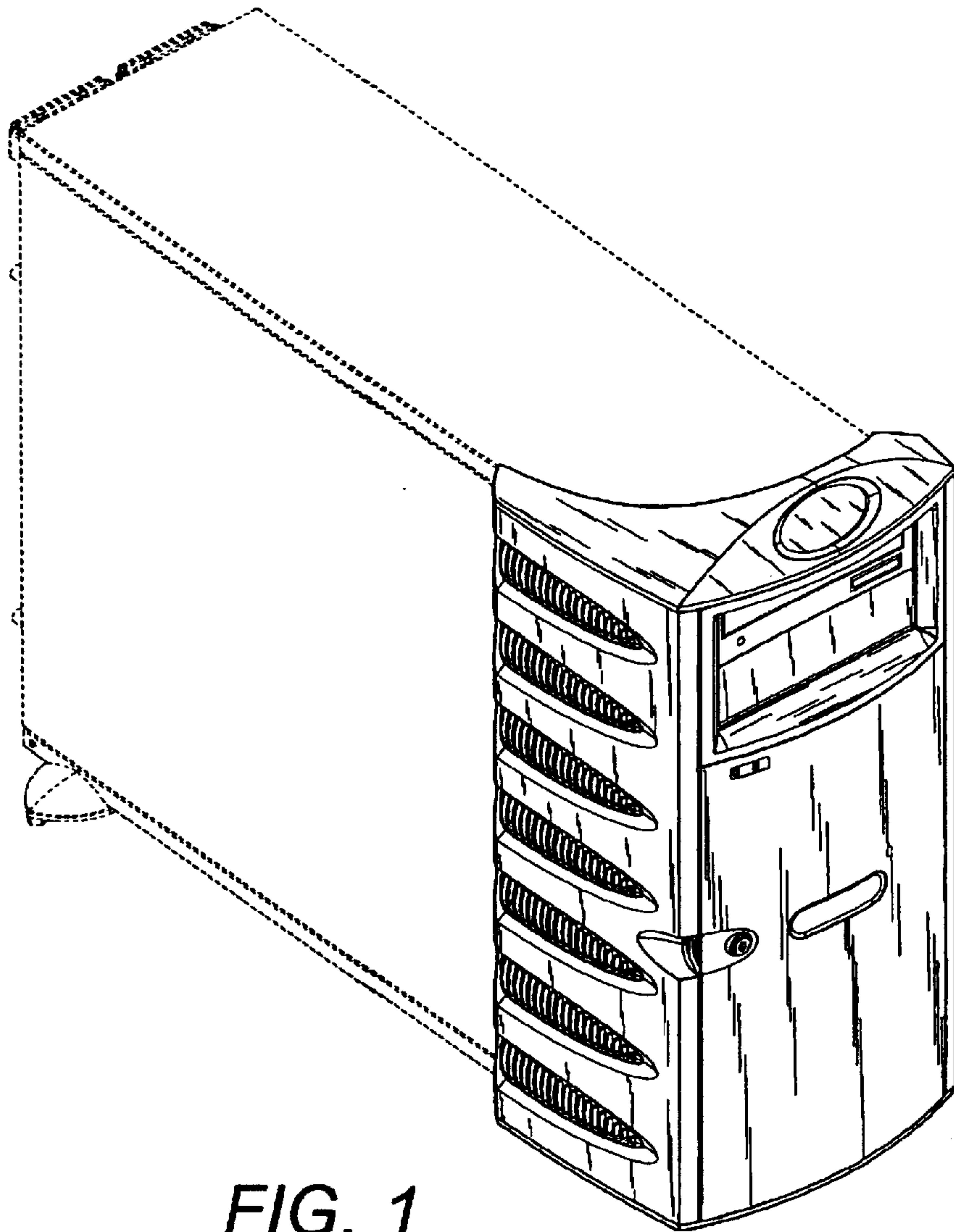
(56) **References Cited**

**U.S. PATENT DOCUMENTS**

D447,139 S \* 8/2001 Mache et al. .... D14/351

**1 Claim, 4 Drawing Sheets**





*FIG. 1*

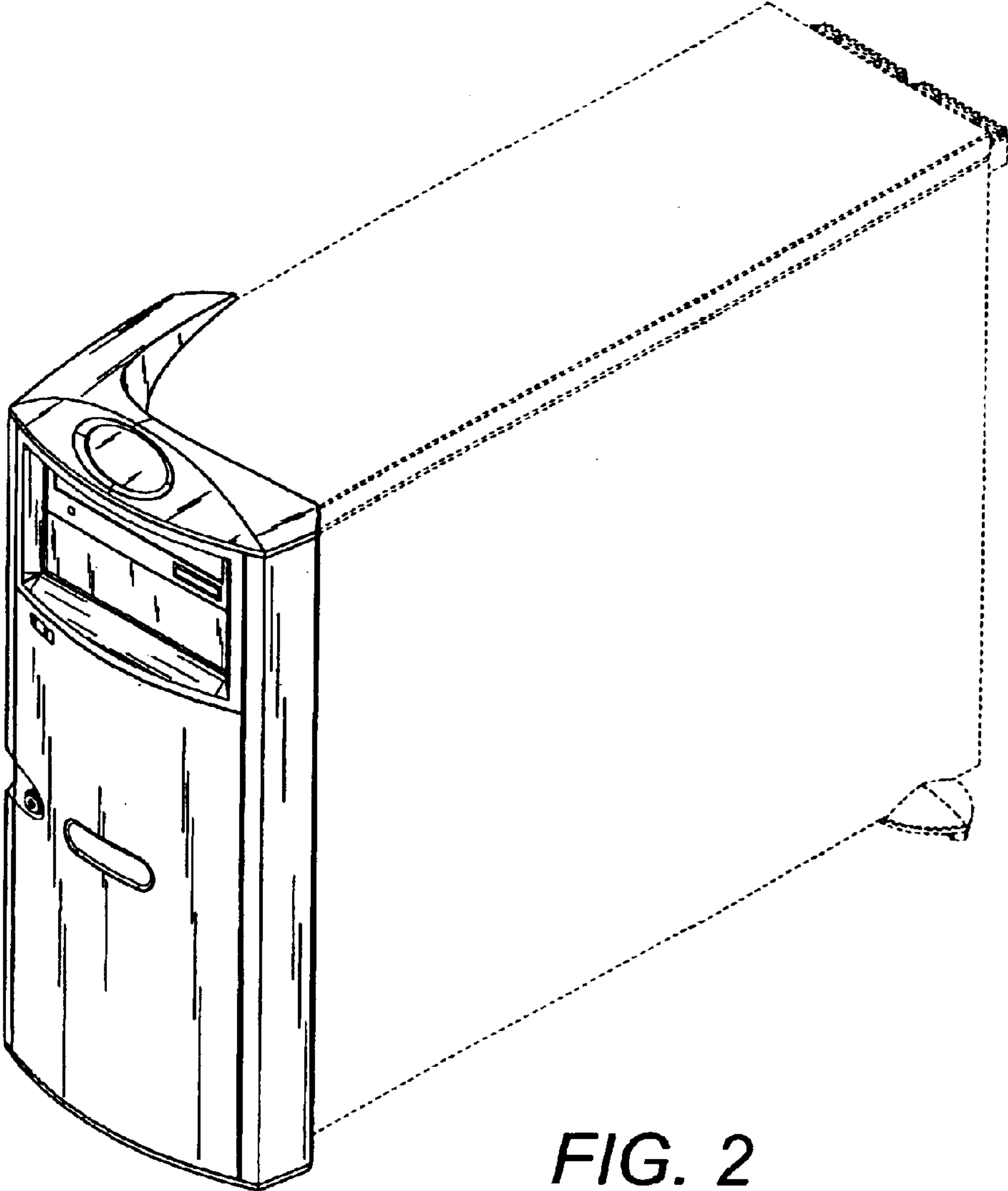


FIG. 2

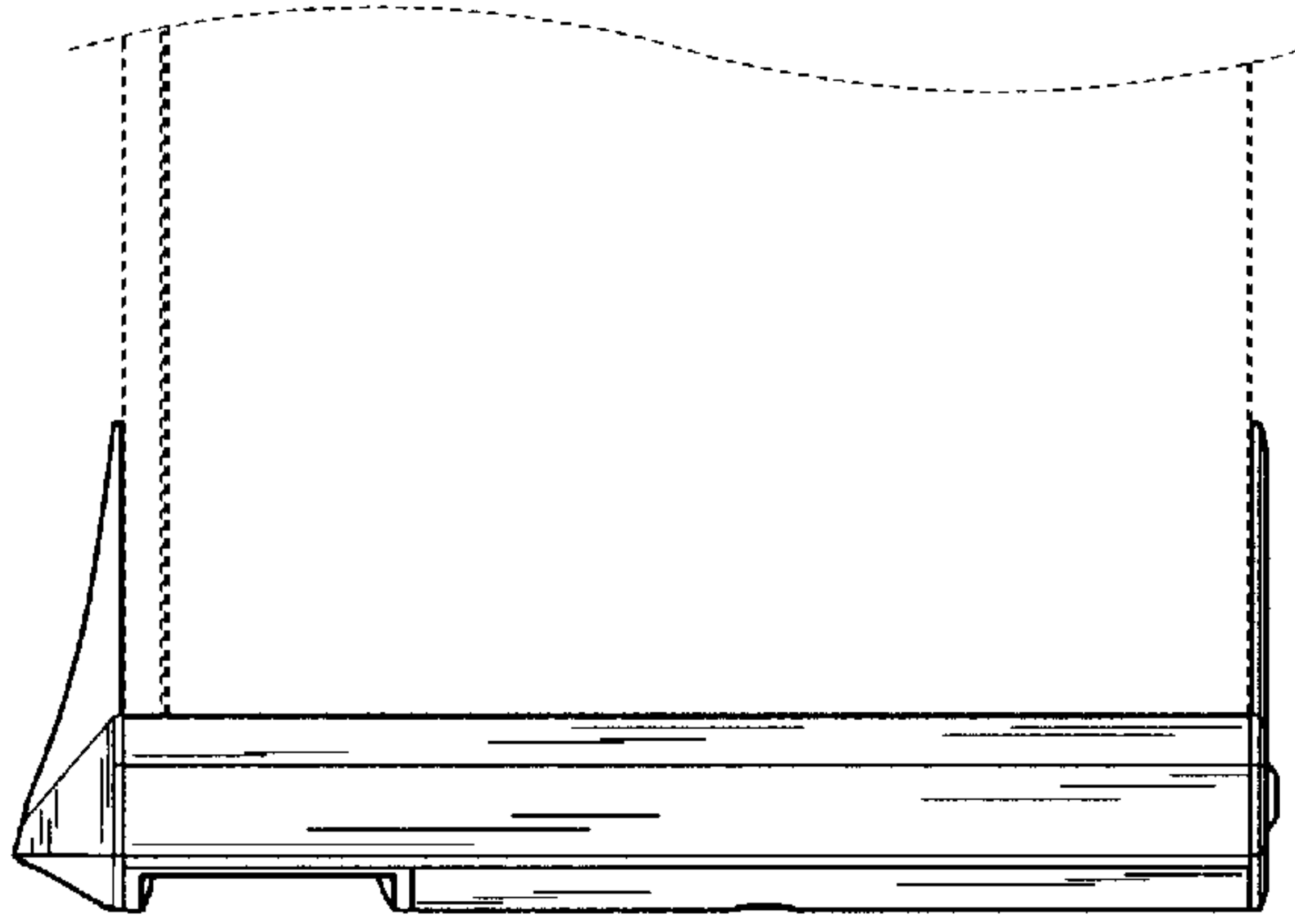


FIG. 5

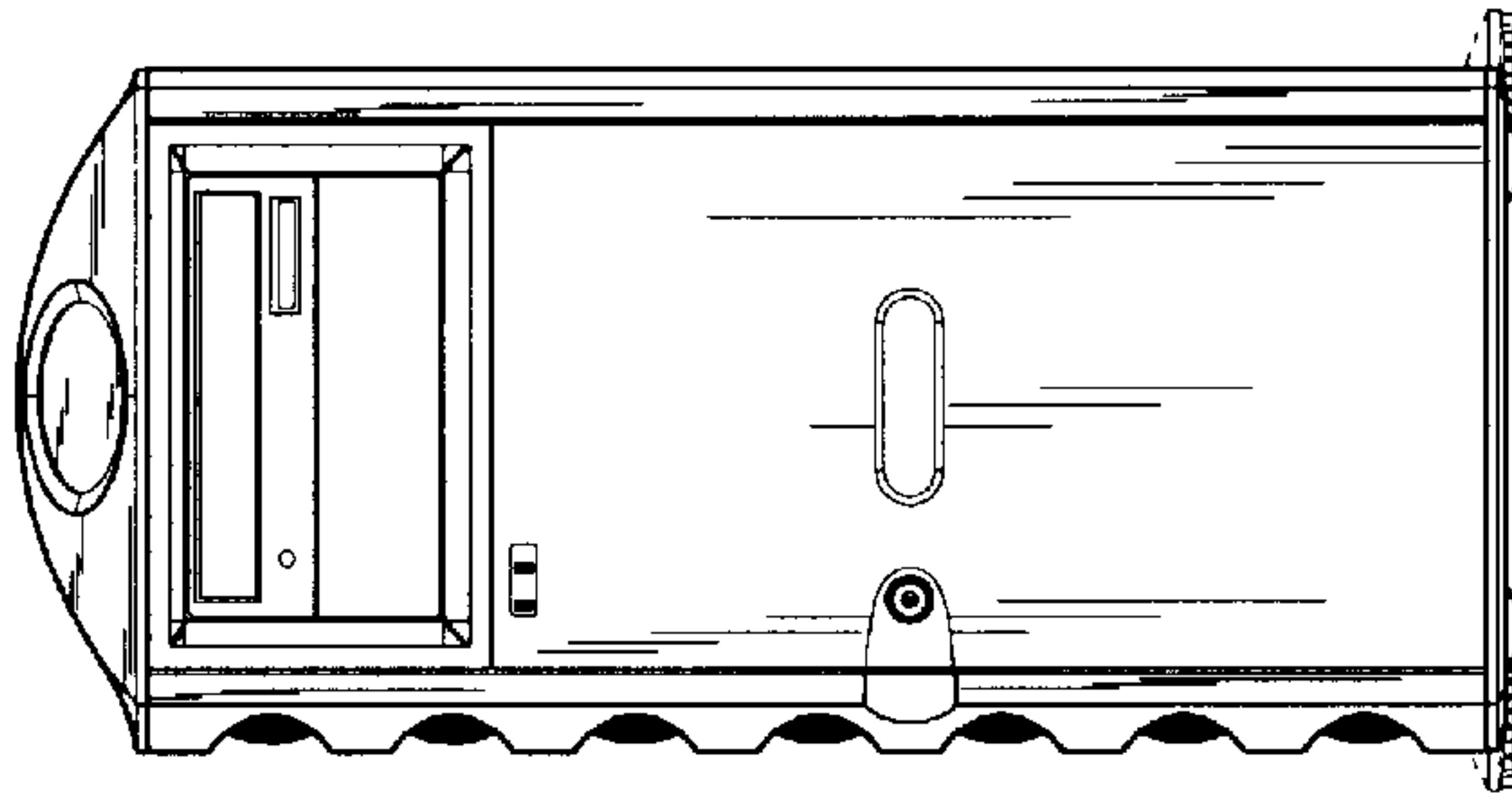


FIG. 4

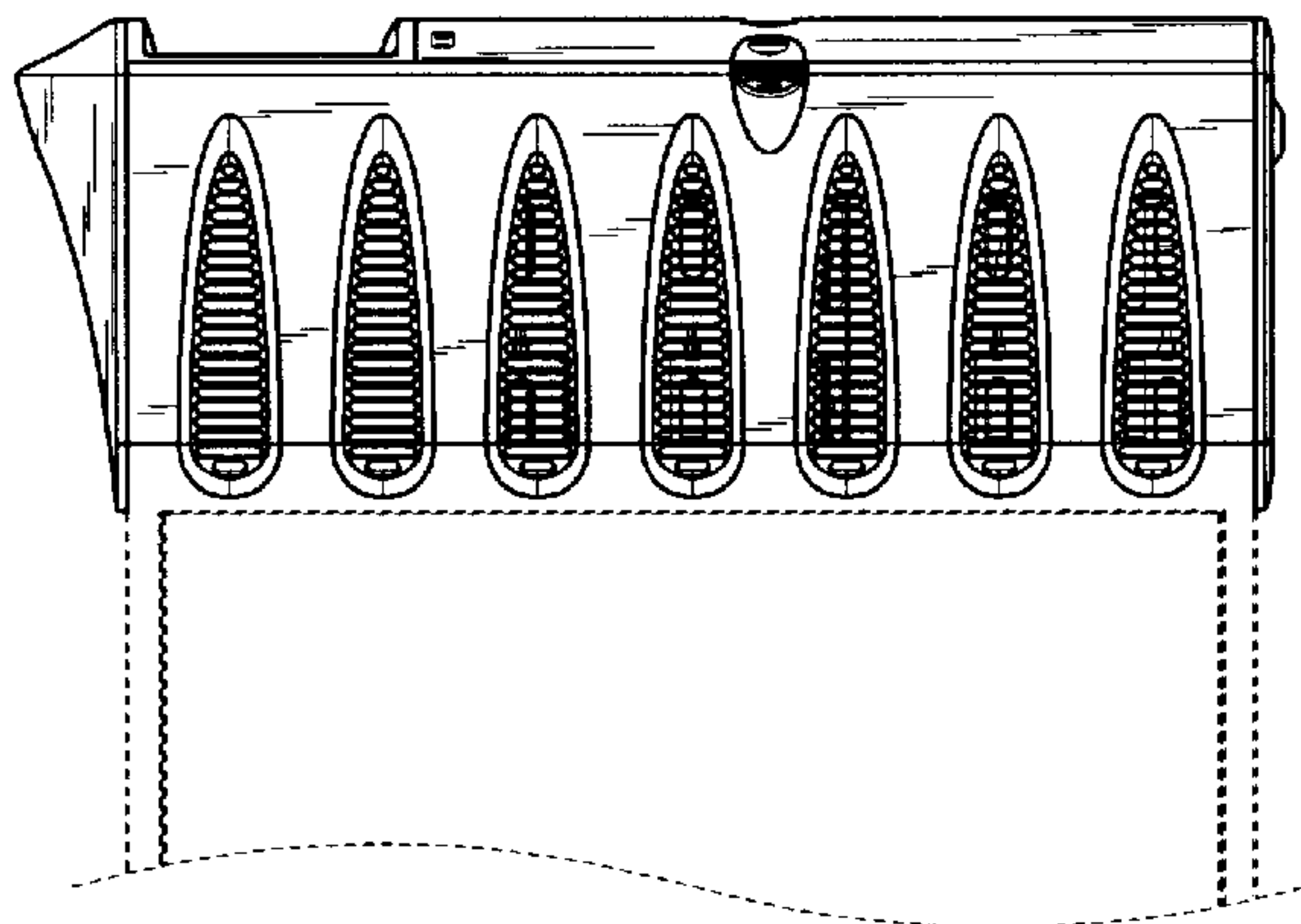
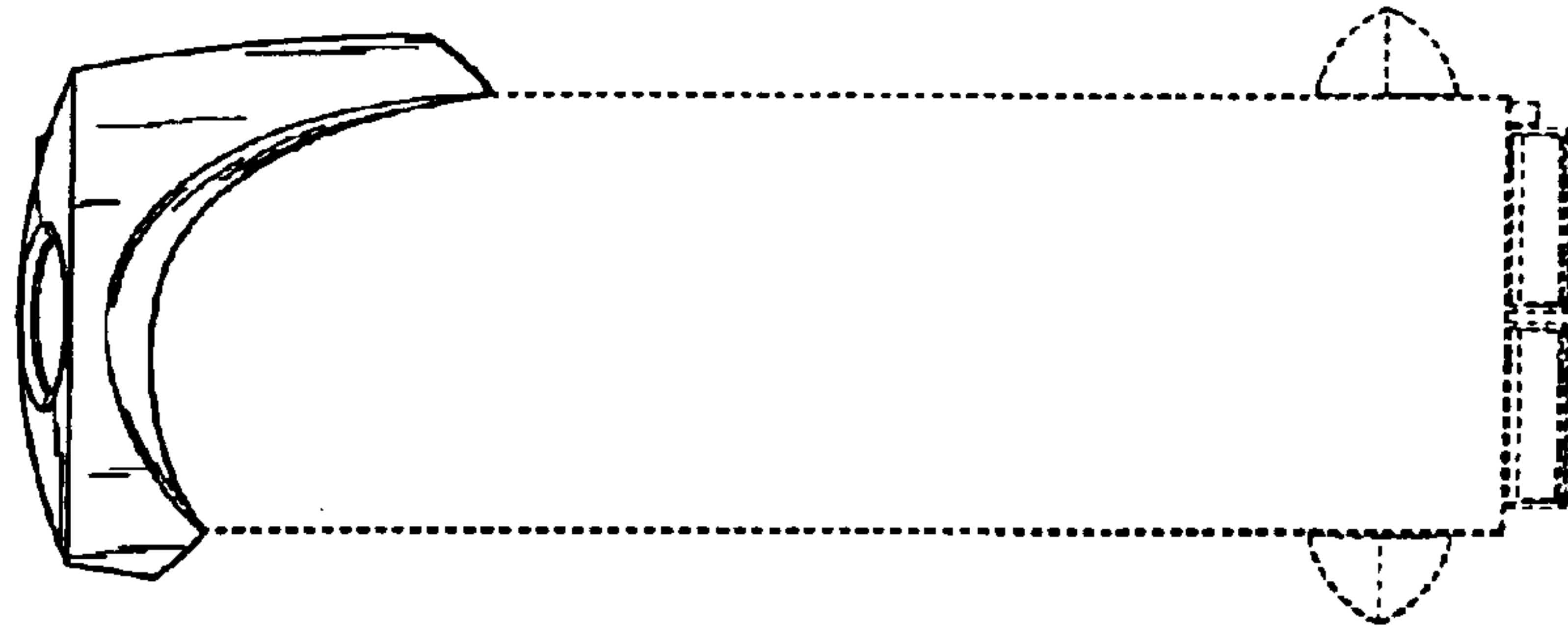
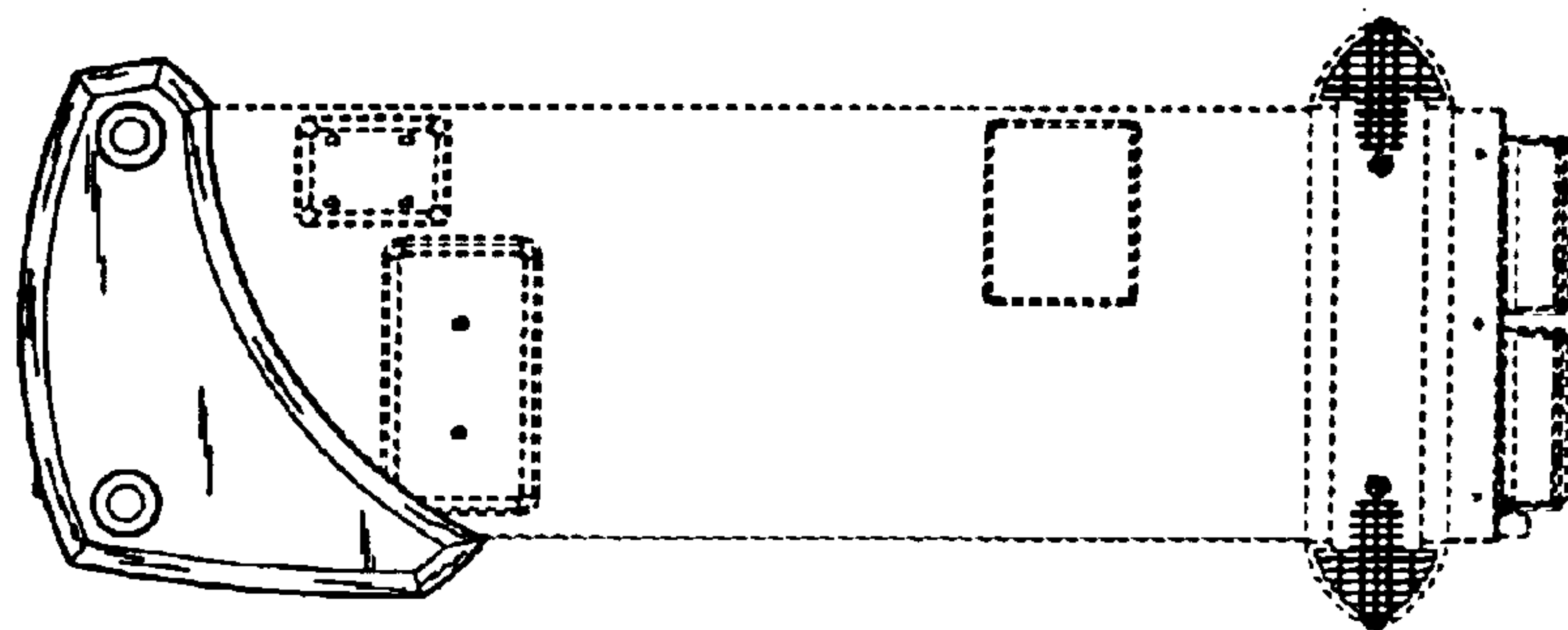


FIG. 3



*FIG. 6*



*FIG. 7*