

US00D504893S

(12) **United States Design Patent**
Araki

(10) **Patent No.:** **US D504,893 S**
(45) **Date of Patent:** **** May 10, 2005**

(54) **DOCKING UNIT FOR AN ELECTRONIC COMPUTER**

(75) Inventor: **Satoshi Araki**, Suginami-ku (JP)
(73) Assignee: **Kabushiki Kaisha Toshiba** (JP)
(**) Term: **14 Years**

(21) Appl. No.: **29/194,930**
(22) Filed: **Dec. 4, 2003**

(30) **Foreign Application Priority Data**

Sep. 25, 2003 (JP) 2003-027907

(51) **LOC (7) Cl.** **14-02**
(52) **U.S. Cl.** **D14/434**
(58) **Field of Search** D14/432, 434;
361/679-87; 200/5 R, 5 A, 6 R, 6 A

(56) **References Cited**

U.S. PATENT DOCUMENTS

D359,034 S * 6/1995 Kondo D14/434
D394,247 S 5/1998 Kondo
D396,454 S 7/1998 Shima et al.
D413,312 S 8/1999 Suzuki
D416,548 S * 11/1999 Sugano et al. D14/434
D423,473 S * 4/2000 Iwamoto D14/434
D466,122 S * 11/2002 Moody D14/434
D470,849 S * 2/2003 Bertagnole et al. D14/434
D476,359 S * 6/2003 Mittler D18/12
6,667,881 B2 * 12/2003 Oross et al. 361/686

FOREIGN PATENT DOCUMENTS

DE M9504014 1/1996
JP 991861 10/1997
JP 1147596 7/2002
KR 203454 9/1997
TW 196108 12/1992

OTHER PUBLICATIONS

SONY Catalog (PCGA-PRF1). p. 7, Feb. 1999.

* cited by examiner

Primary Examiner—M. H. Tung

(74) *Attorney, Agent, or Firm*—Banner & Witcoff, Ltd.

(57) **CLAIM**

The ornamental design for a docking unit for an electronic computer, as shown and described.

DESCRIPTION

FIG. 1 is a top, front, and right side perspective view of a docking unit for an electronic computer showing my new design;

FIG. 2 is a front elevational view thereof,

FIG. 3 is a rear elevational view thereof,

FIG. 4 is a top plan view thereof,

FIG. 5 is a bottom plan view thereof,

FIG. 6 is a left side elevational view thereof; and,

FIG. 7 is a right side elevational view thereof.

1 Claim, 3 Drawing Sheets

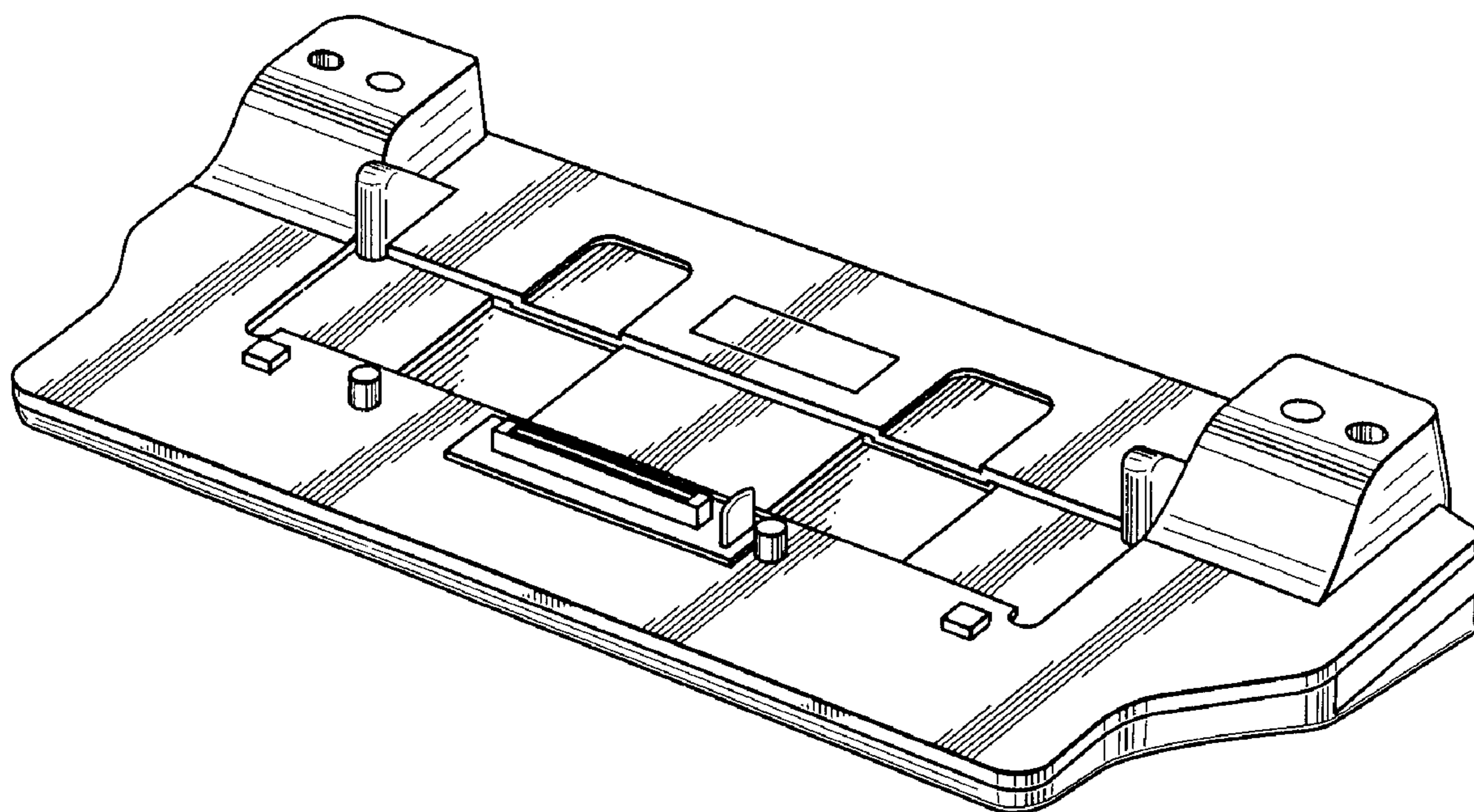


FIG. 1

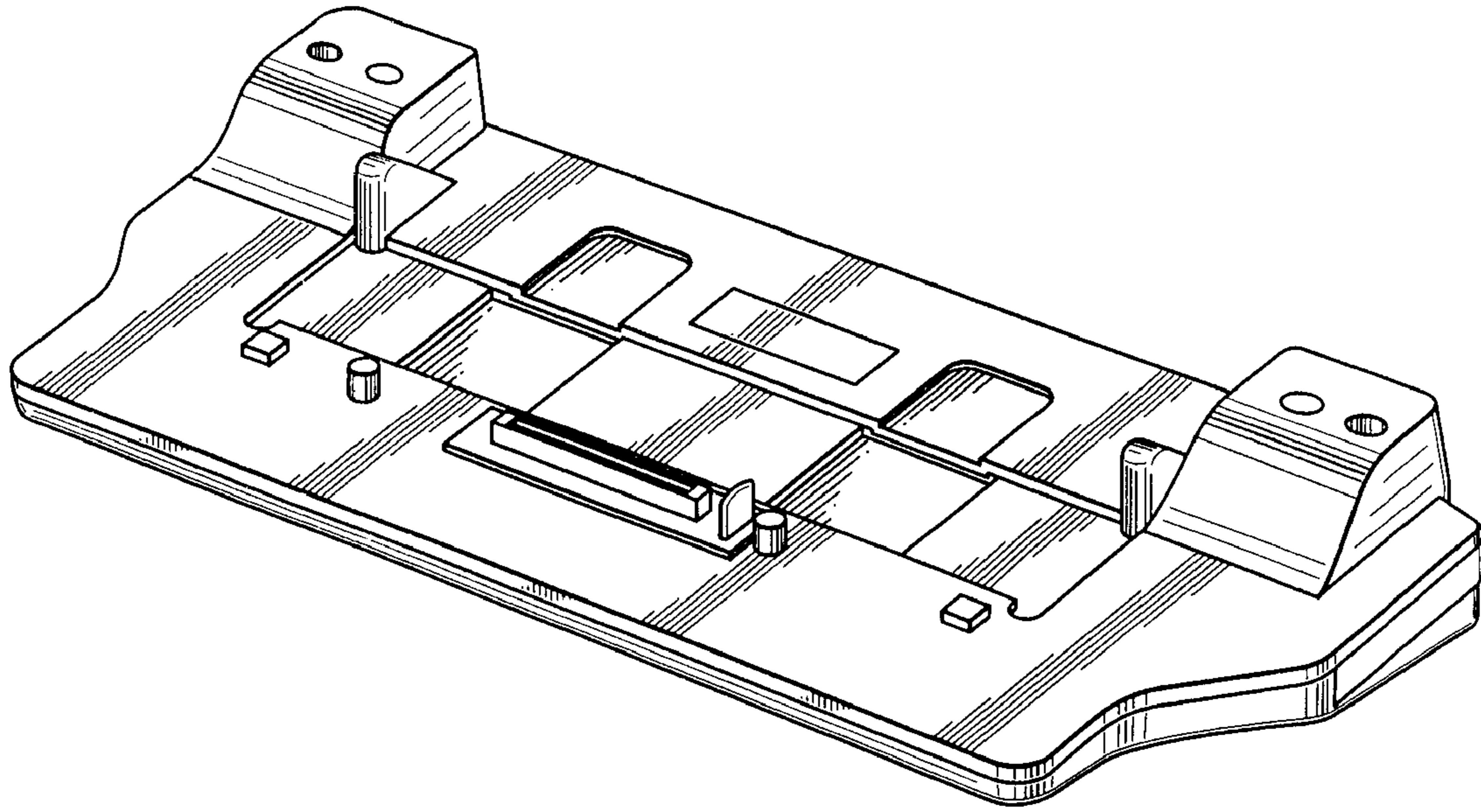


FIG. 2

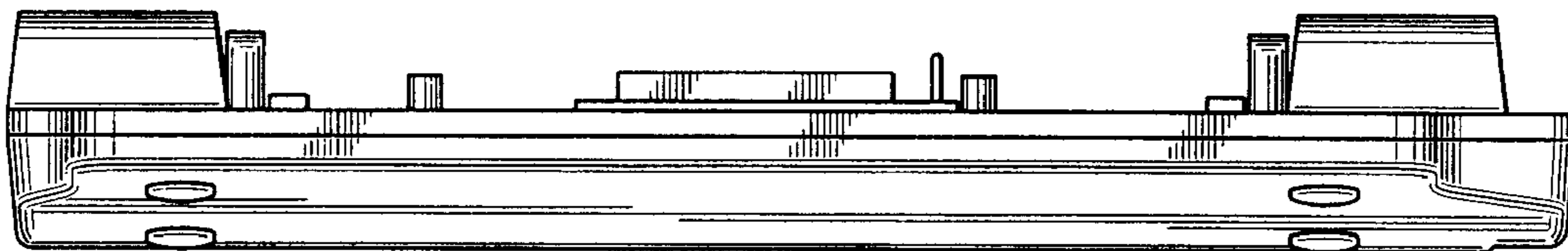


FIG. 3

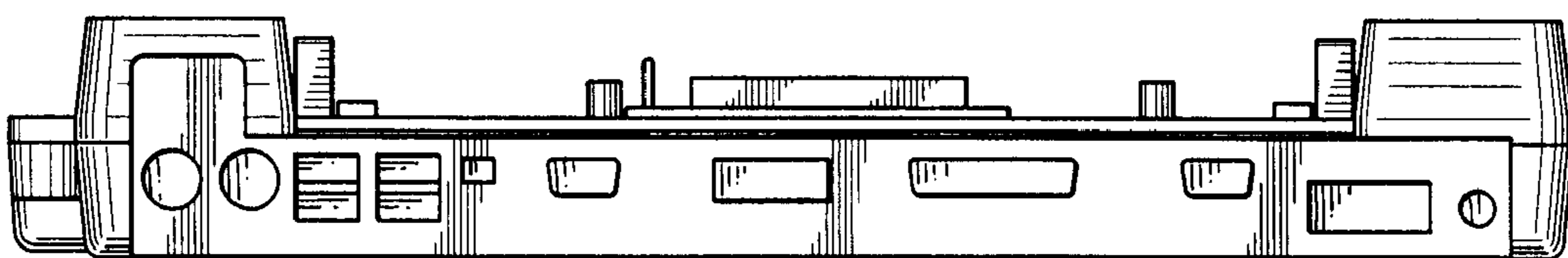


FIG. 4

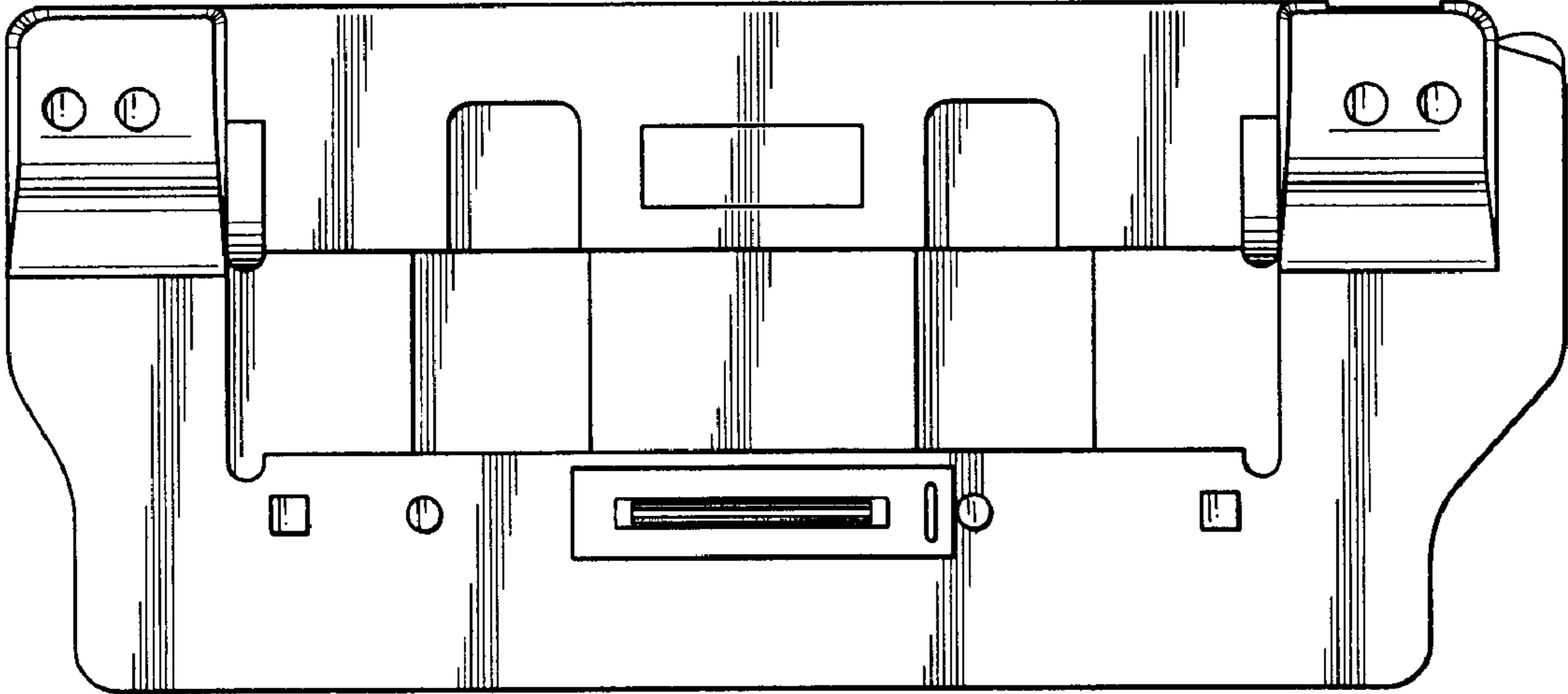


FIG. 5

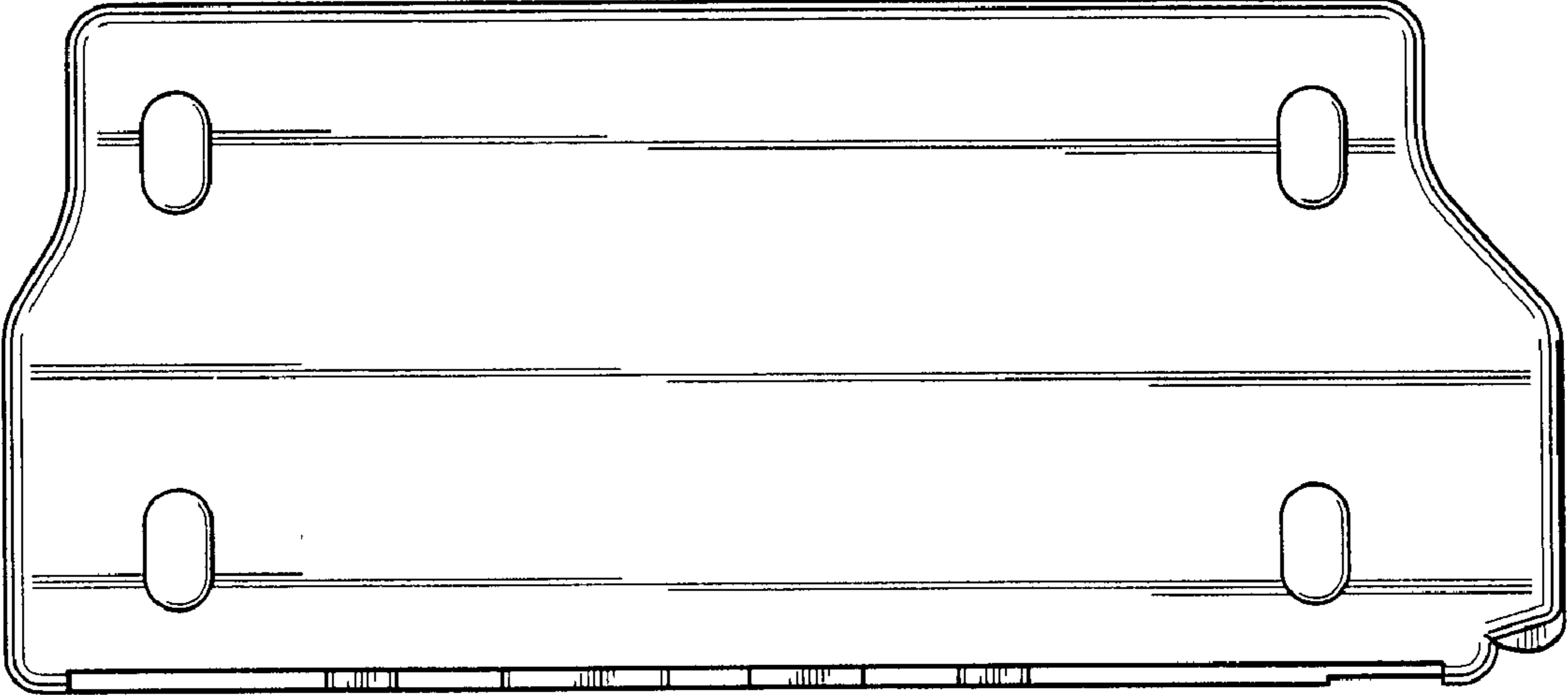


FIG. 6

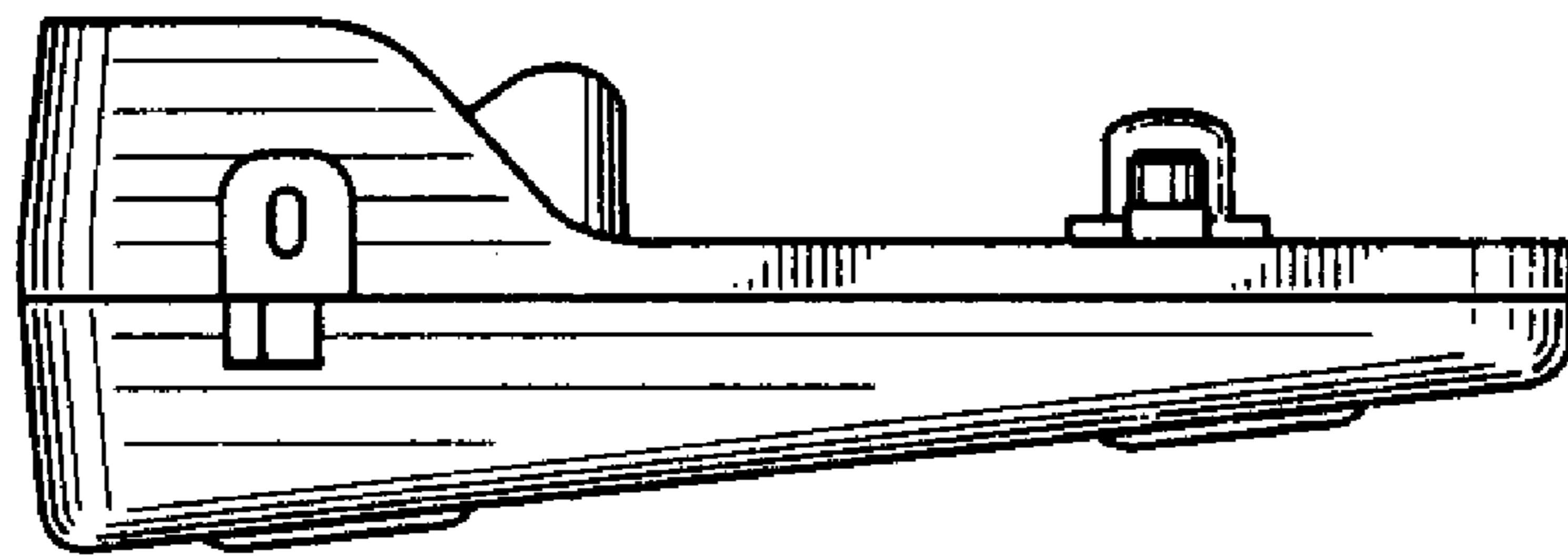


FIG. 7

