



US00D504892S

(12) **United States Design Patent**  
**Chen et al.**

(10) **Patent No.:** **US D504,892 S**

(45) **Date of Patent:** **\*\* May 10, 2005**

(54) **MONITOR**

(75) Inventors: **Lin-Ming Chen**, Kuei Shan Hsiang (TW); **Chun-Leung Choi**, Tainan (TW); **Po-Chih Yang**, Kaohsiung (TW); **I-Pin Hwang**, Tainan (TW)

(73) Assignee: **Chi Lin Technology Co., Ltd.** (TW)

(\*\*) Term: **14 Years**

(21) Appl. No.: **29/206,256**

(22) Filed: **May 27, 2004**

(51) **LOC (7) Cl.** ..... **14-02**

(52) **U.S. Cl.** ..... **D14/375**

(58) **Field of Search** ..... D14/371-375,  
D14/125-129; 345/104, 156, 168, 173,  
87; 348/180, 184, 325, 739; 248/917-924;  
349/1, 2, 11, 62

(56) **References Cited**

**U.S. PATENT DOCUMENTS**

D458,603 S \* 6/2002 Lee ..... D14/375

D476,332 S \* 6/2003 Lin ..... D14/374  
D480,084 S \* 9/2003 Borsboom et al. .... D14/374  
D483,034 S \* 12/2003 Yanagisawa et al. .... D14/371

\* cited by examiner

*Primary Examiner*—Freda S. Nunn

(74) *Attorney, Agent, or Firm*—Akin Gump Strauss Hauer & Feld, LLP

(57) **CLAIM**

The ornamental design for monitor, as shown and described.

**DESCRIPTION**

FIG. 1 is a perspective view of monitor showing our new design;

FIG. 2 is a front elevational view thereof;

FIG. 3 is a rear elevational view thereof;

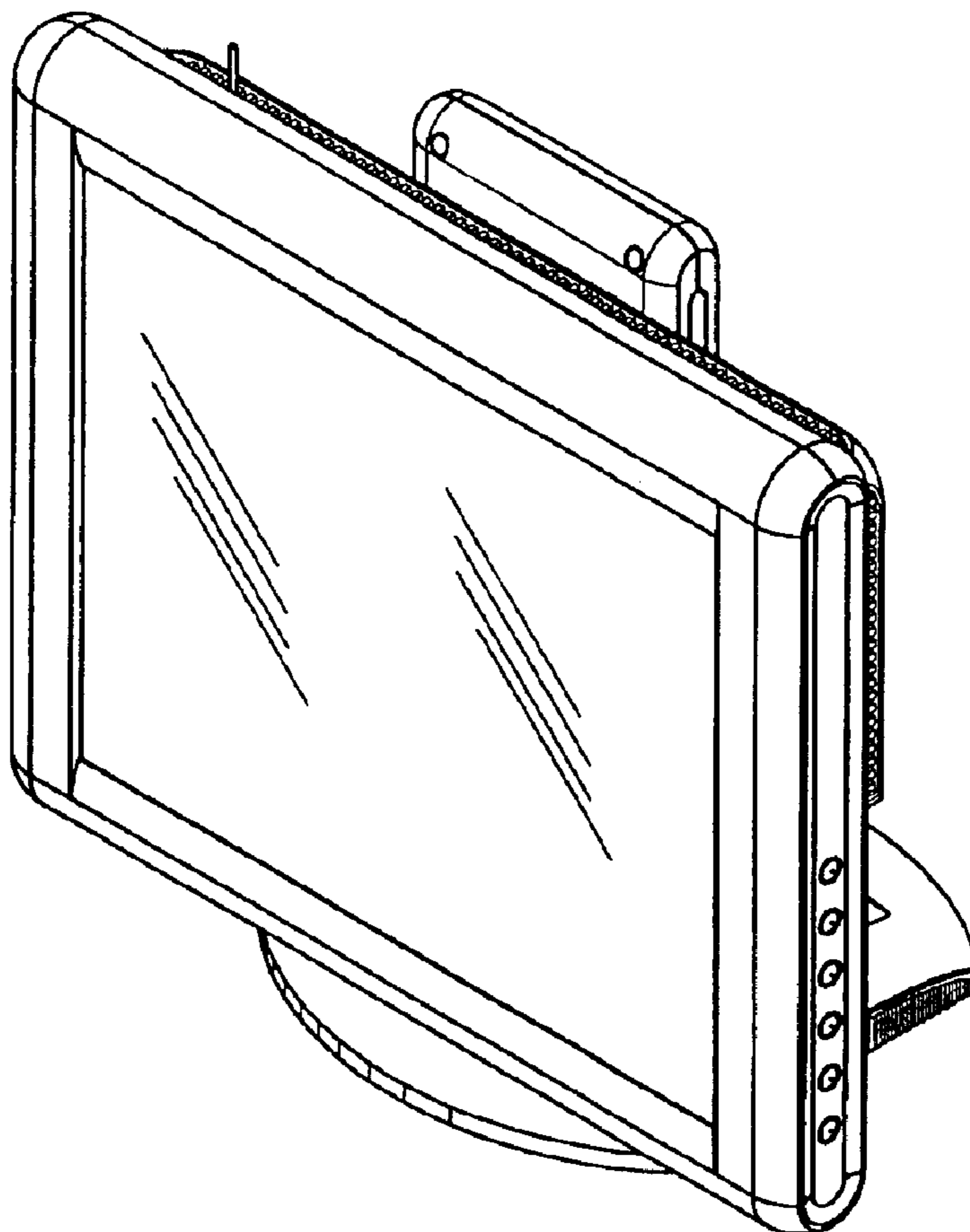
FIG. 4 is a left side elevational view thereof;

FIG. 5 is a right side elevational view thereof;

FIG. 6 is a top plan view thereof; and,

FIG. 7 is a bottom plan view thereof.

**1 Claim, 4 Drawing Sheets**



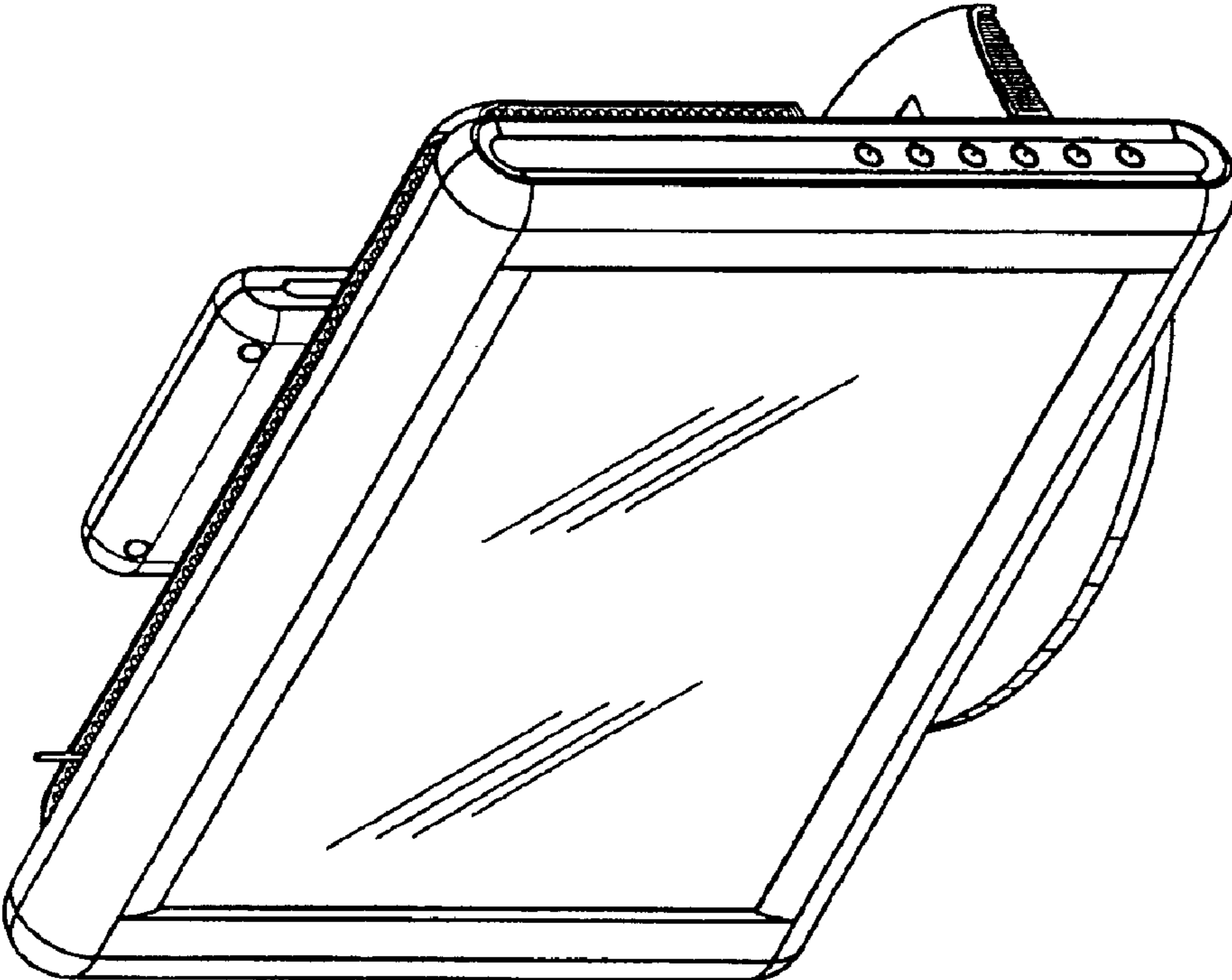


FIG. 1

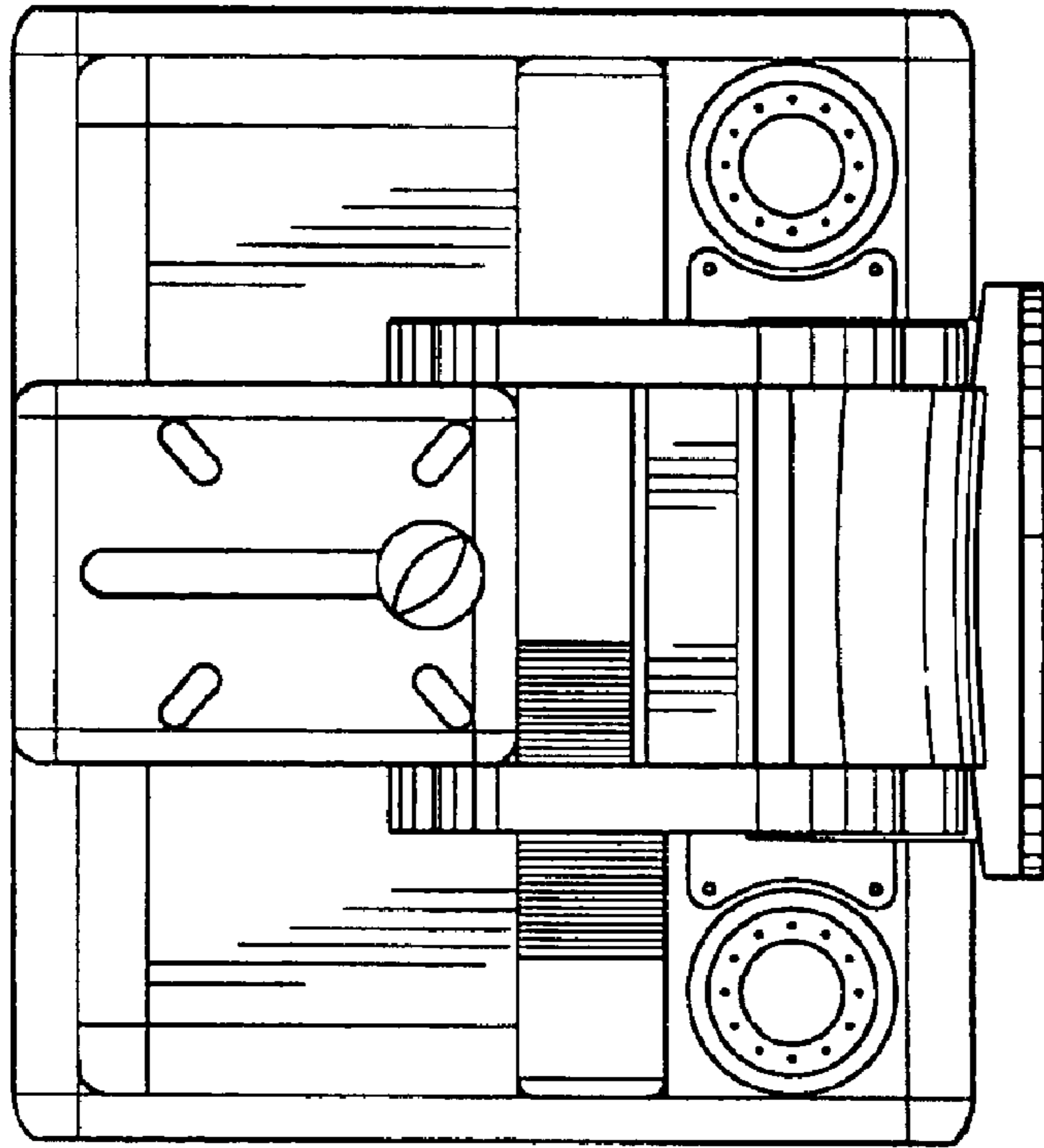


FIG. 3

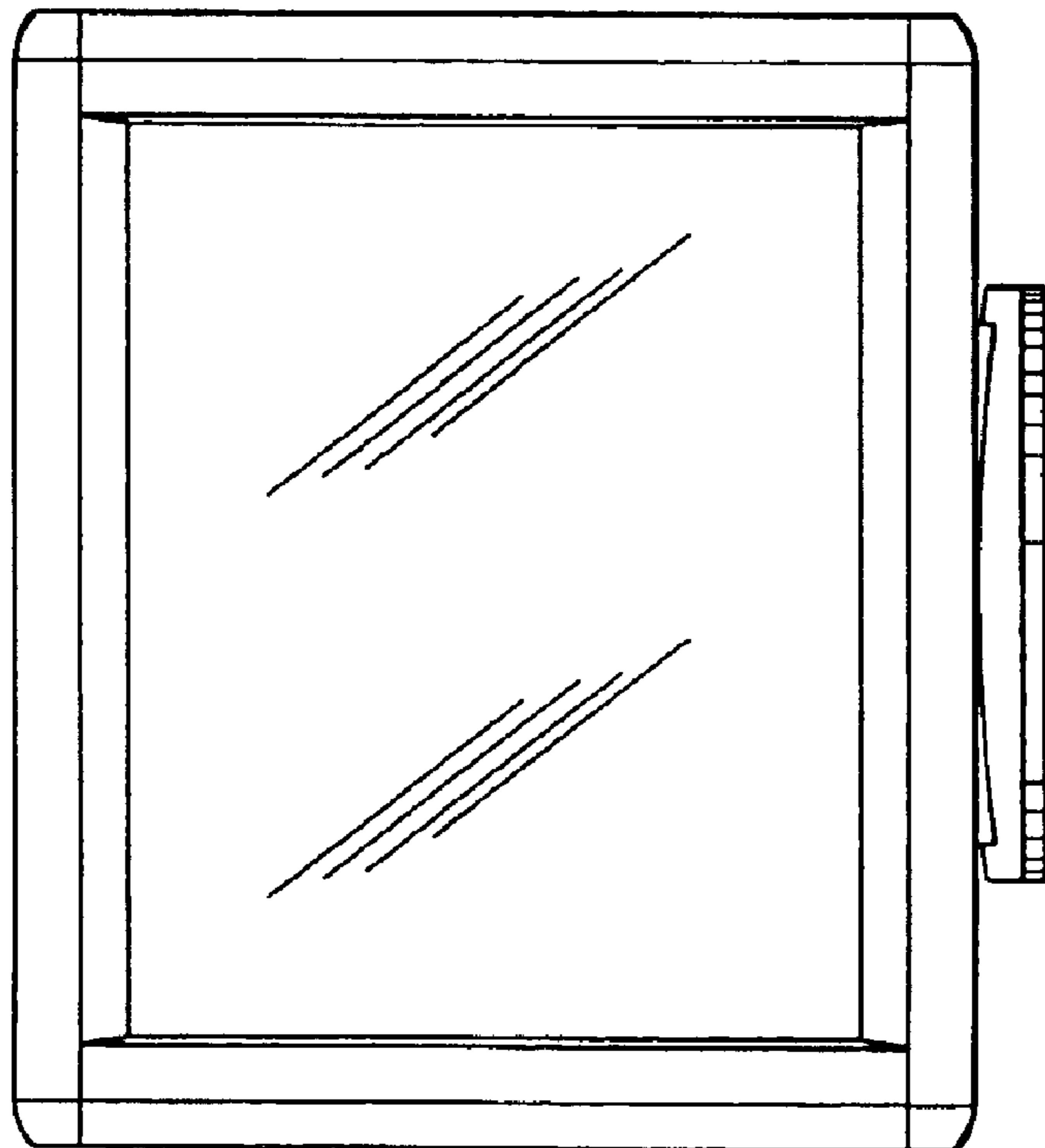


FIG. 2

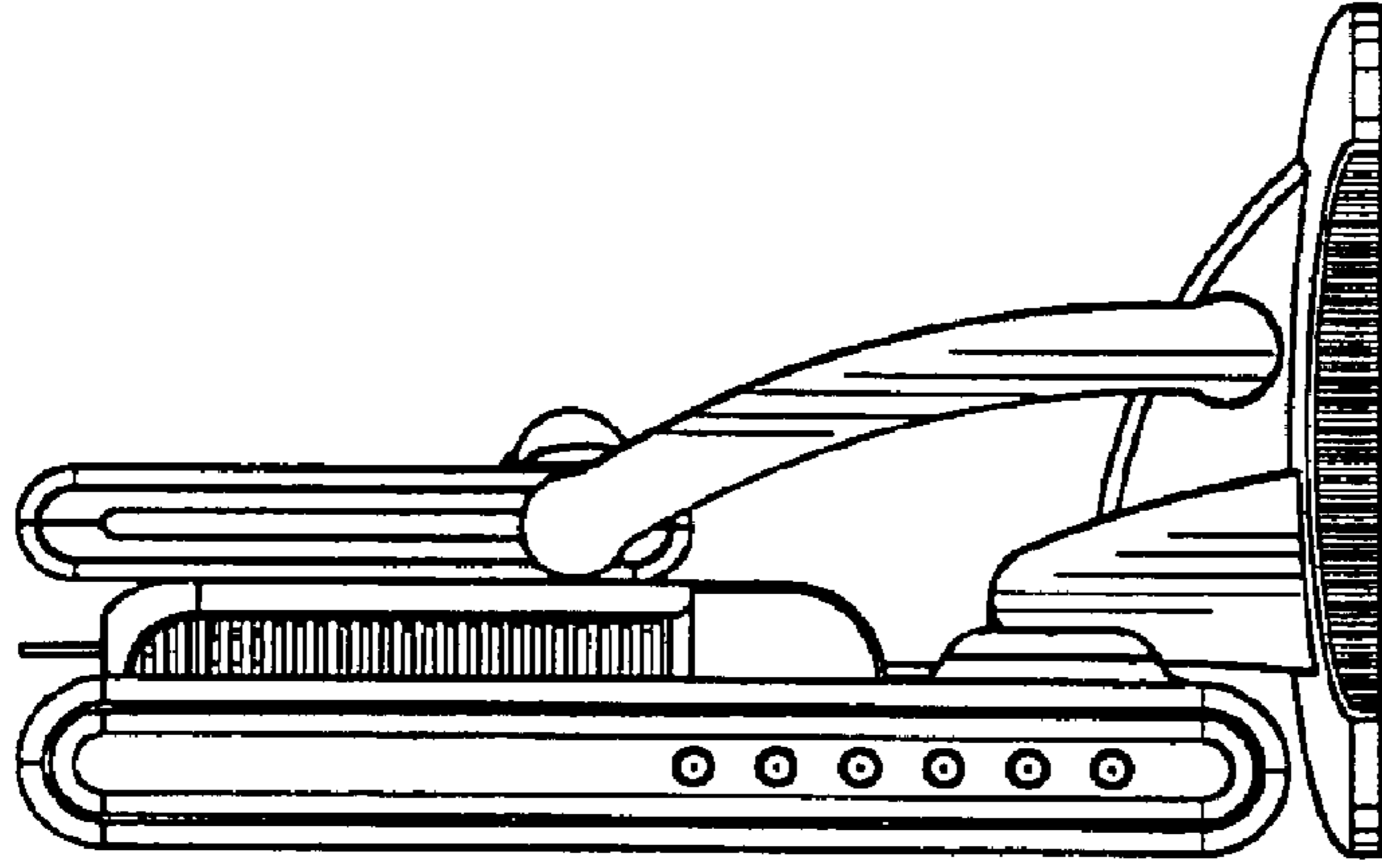


FIG. 5

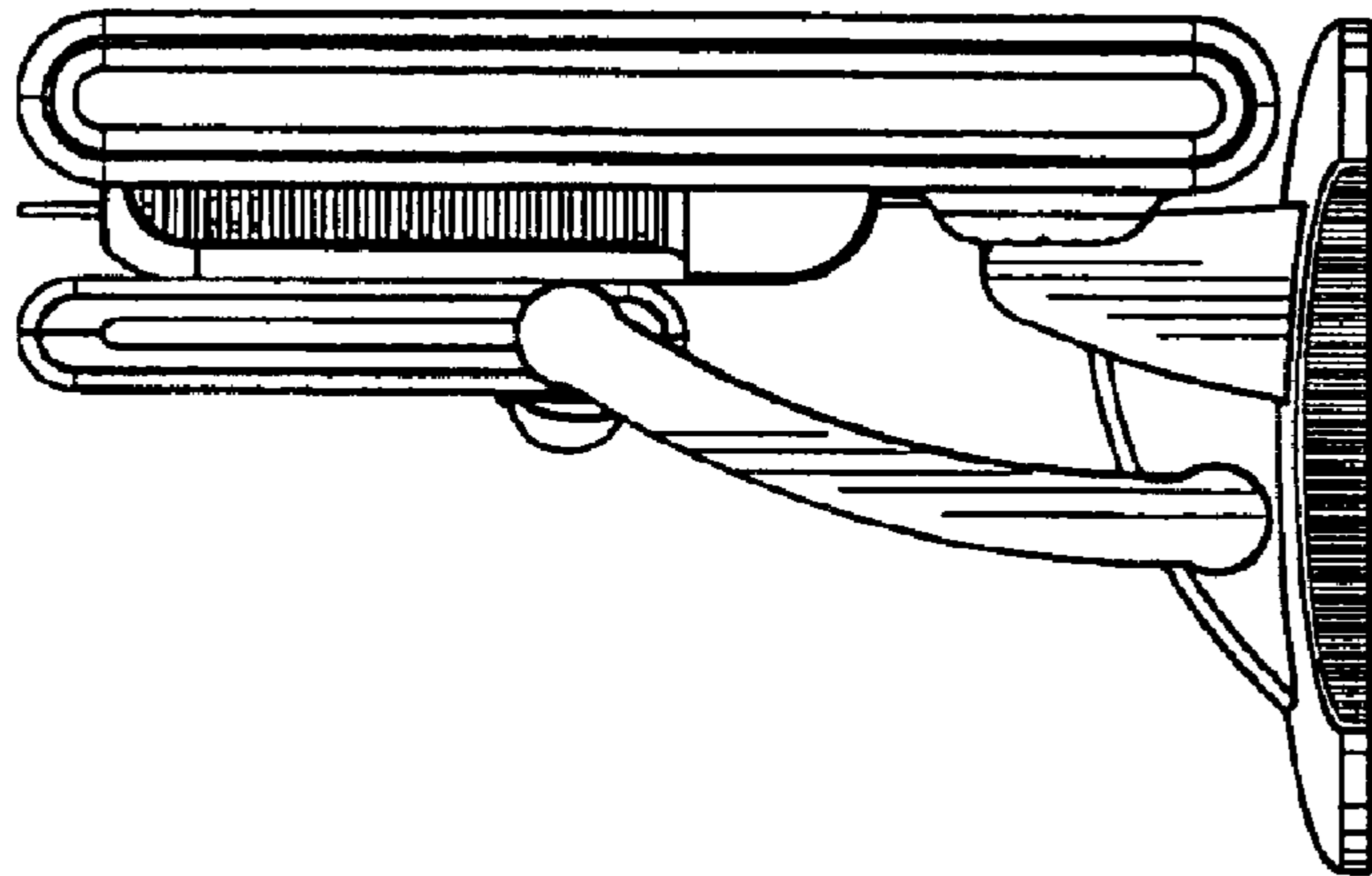


FIG. 4

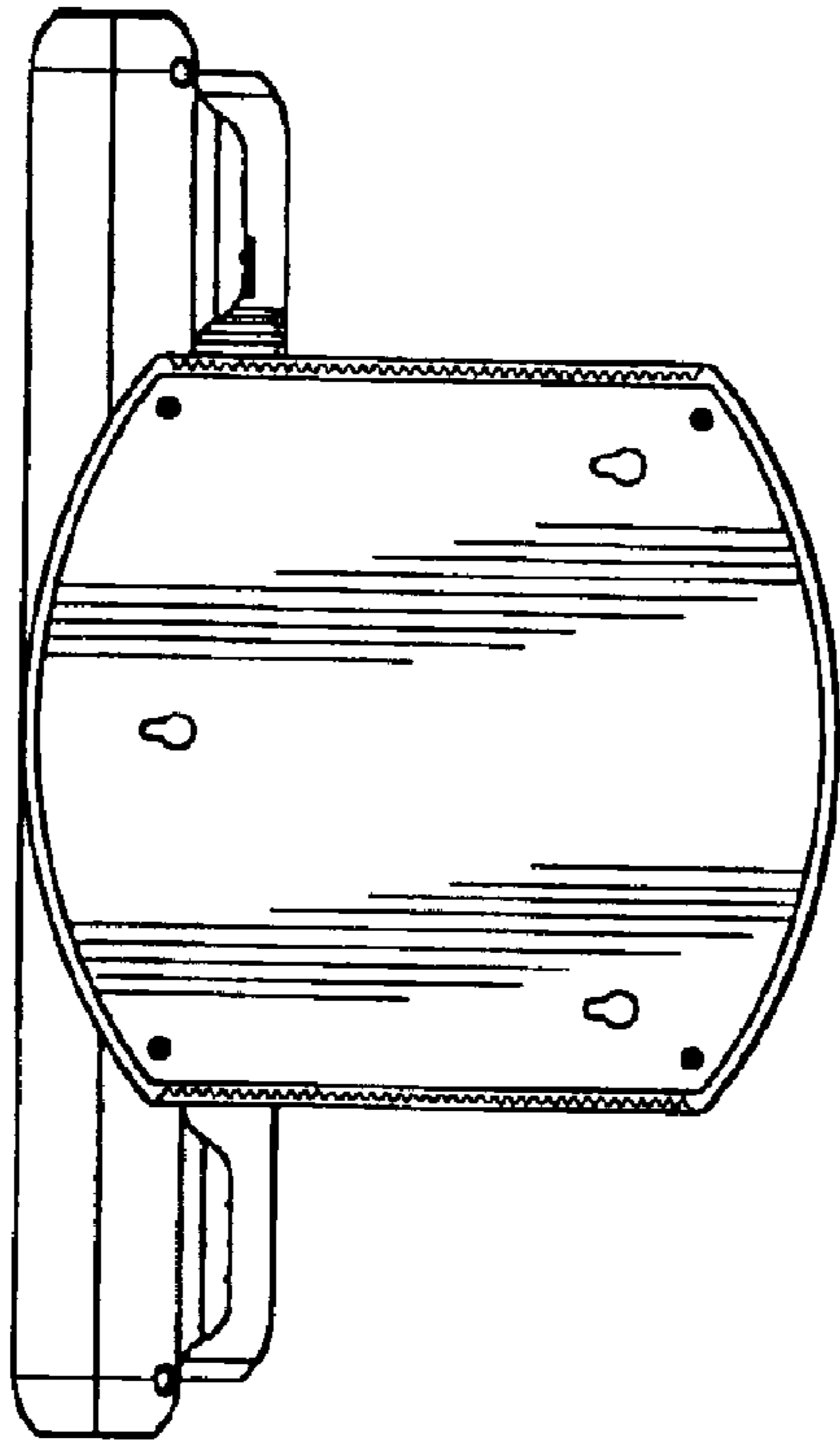


FIG. 7

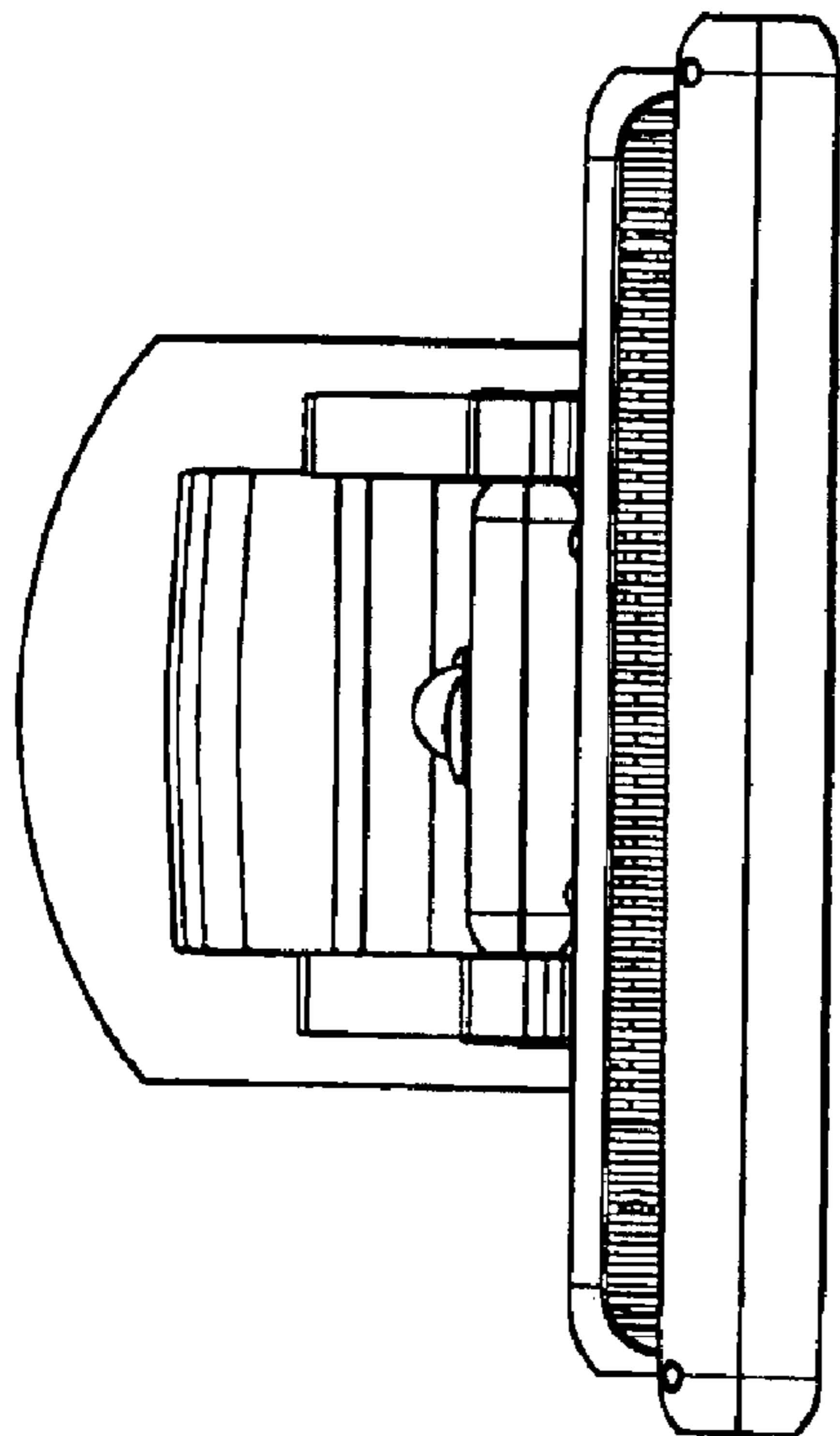


FIG. 6