

US00D504882S

(12) **United States Design Patent**
Bhavnani

(10) **Patent No.: US D504,882 S**

(45) **Date of Patent: ** May 10, 2005**

(54) **RADIO**

(75) **Inventor: Dilip Bhavnani, Beverly Hills, CA (US)**

(73) **Assignee: Sun Coast Merchandise Corp, Commerce, CA (US)**

(**) **Term: 14 Years**

(21) **Appl. No.: 29/204,370**

(22) **Filed: Apr. 27, 2004**

(51) **LOC (7) Cl. 14-01**

(52) **U.S. Cl. D14/188; D14/168**

(58) **Field of Search D14/188-198, D14/168-171, 156, 157, 265; 455/344-351; 369/75.1, 75.2, 77.1, 77.2**

(56) **References Cited**

U.S. PATENT DOCUMENTS

D67,781 S	*	7/1925	Blackmore	D14/198
D164,331 S	*	8/1951	Schliom	D14/198
D215,675 S	*	10/1969	Yian	D14/195
D220,544 S	*	4/1971	Unger	D14/188
D232,768 S	*	9/1974	Mishiro	D14/198

3,902,120 A	*	8/1975	Dascal et al.	381/309
4,691,383 A	*	9/1987	DeMars	455/351
D323,166 S	*	1/1992	Hino et al.	D14/195
D325,207 S	*	4/1992	Dix	D14/192
D325,734 S	*	4/1992	Miyai	D14/189
D344,520 S	*	2/1994	Chan	D14/188
D384,957 S	*	10/1997	Lee	D14/171
D468,717 S	*	1/2003	Cuvelier	D14/168

* cited by examiner

Primary Examiner—Prabhakar Deshmukh

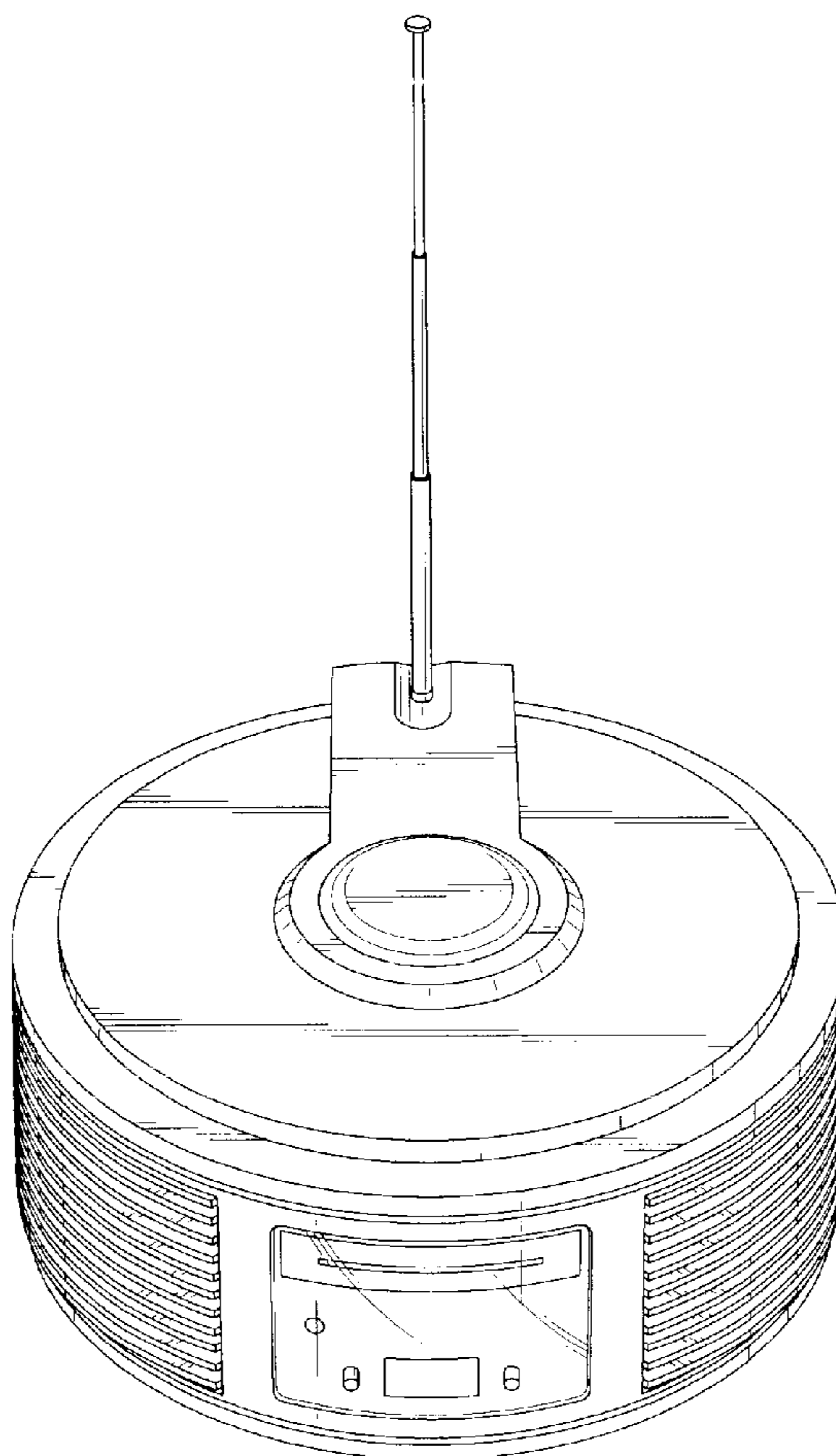
(57) **CLAIM**

The ornamental design for a radio, as shown and described.

DESCRIPTION

FIG. 1 is a top front perspective view of a radio;
 FIG. 2 is a front elevation view of the radio of FIG. 1;
 FIG. 3 is a left side elevation view of the radio of FIG. 1;
 FIG. 4 is a right side elevation view of the radio of FIG. 1;
 FIG. 5 is a top plan view of the radio of FIG. 1;
 FIG. 6 is a bottom plan view of the radio of FIG. 1;
 FIG. 7 is a back elevation view of the radio of FIG. 1; and,
 FIG. 8 is a top front perspective view of an alternative position of the radio of FIG. 1.

1 Claim, 4 Drawing Sheets



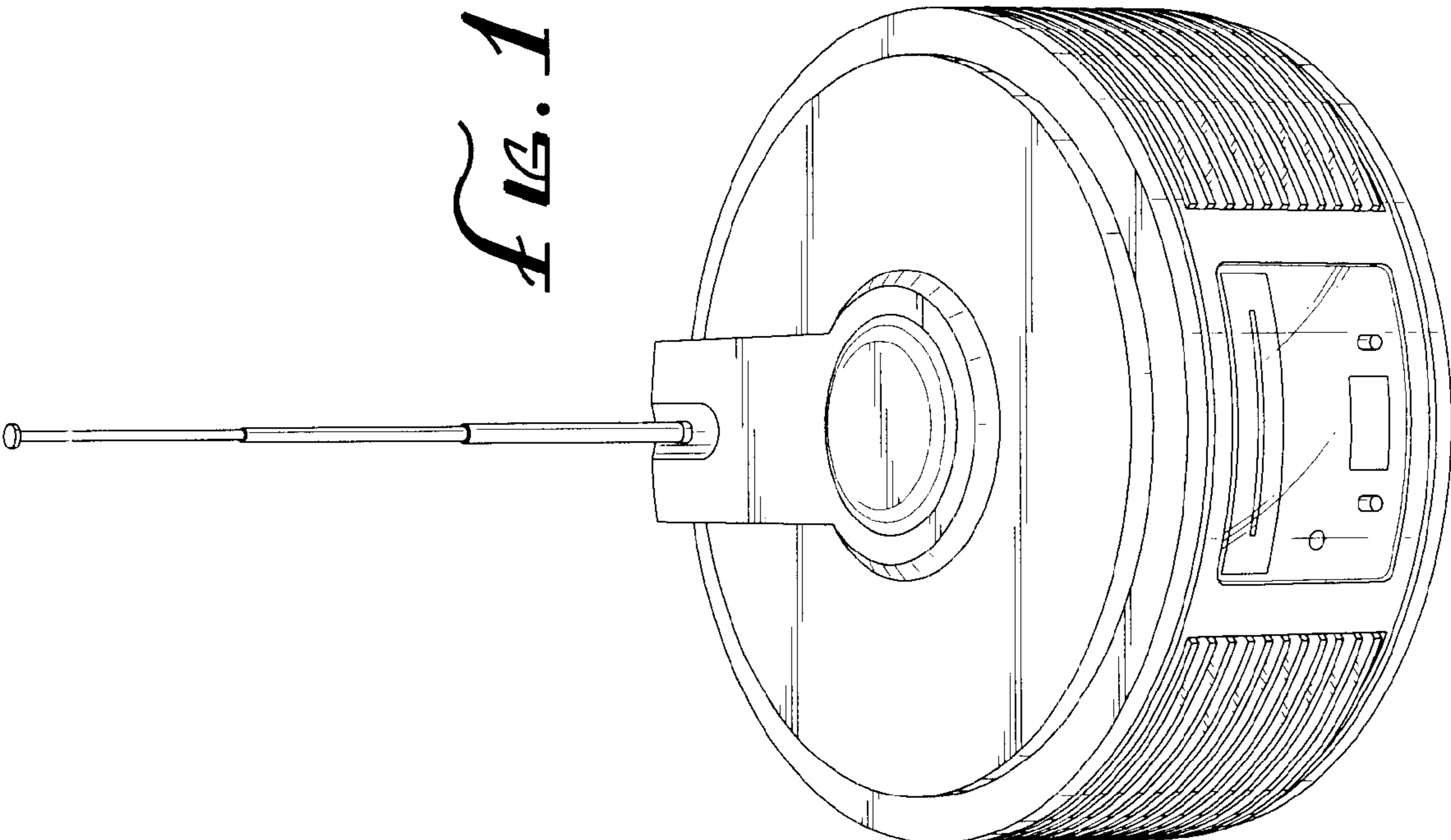


FIG. 1

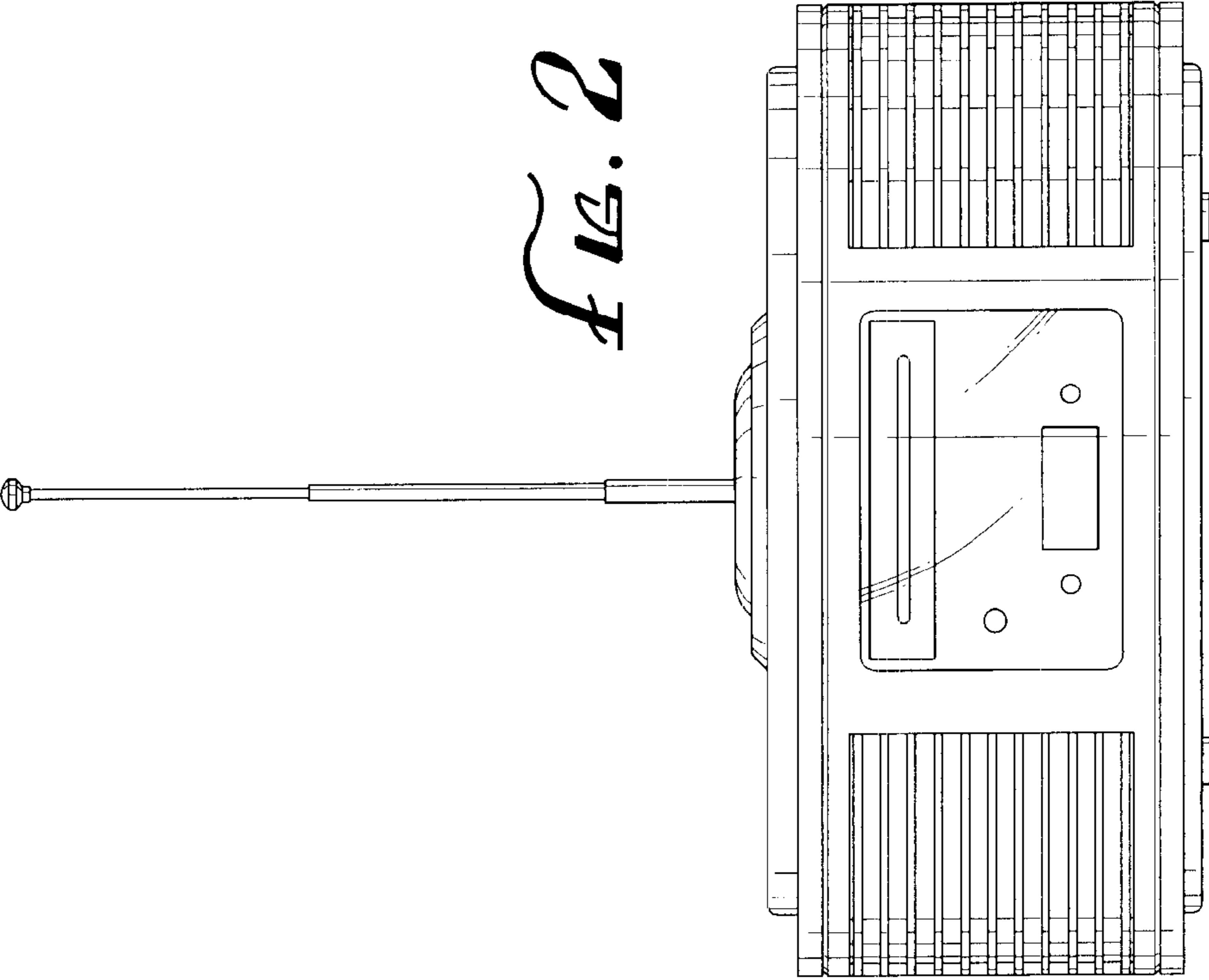


FIG. 2

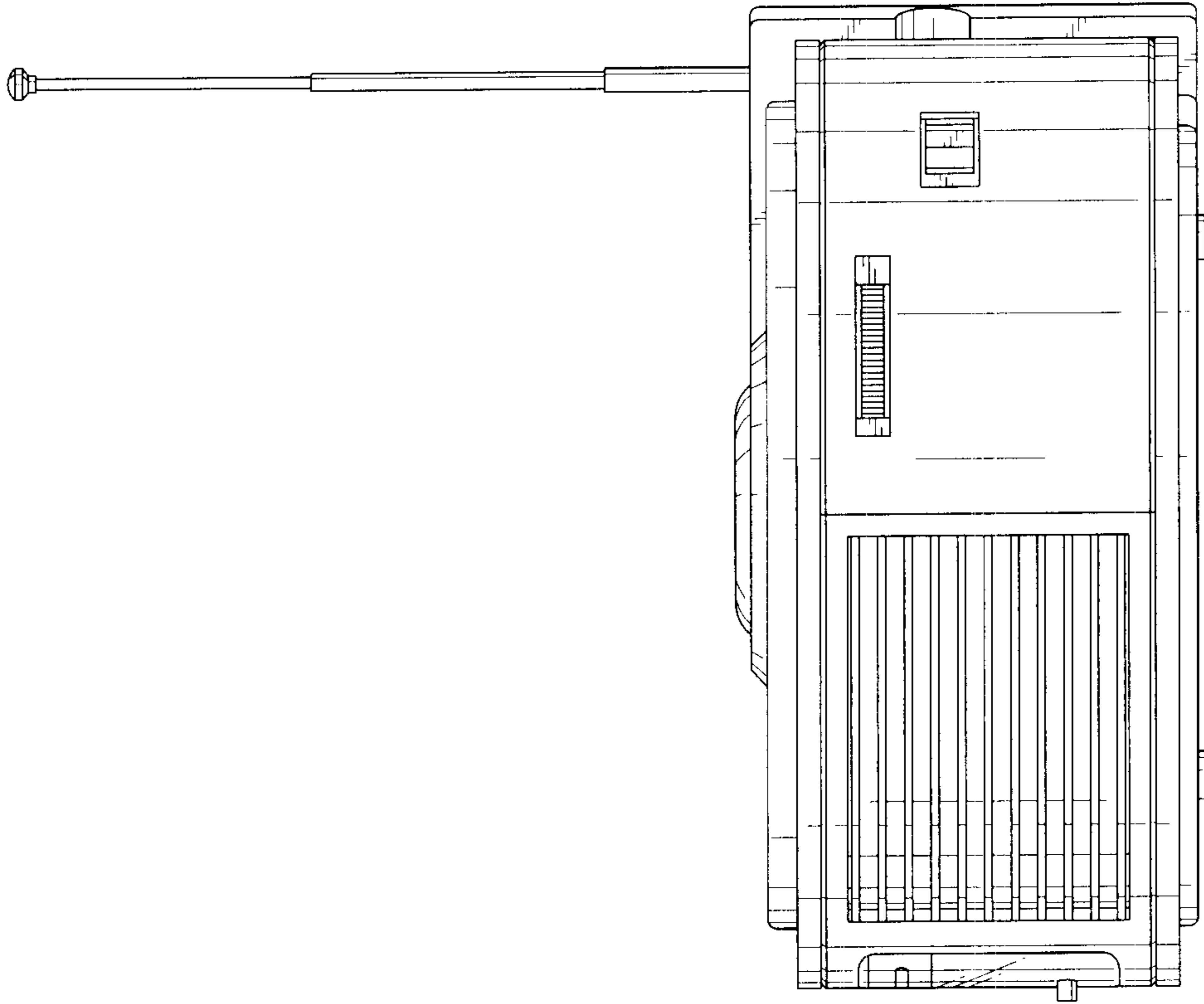


FIG. 4

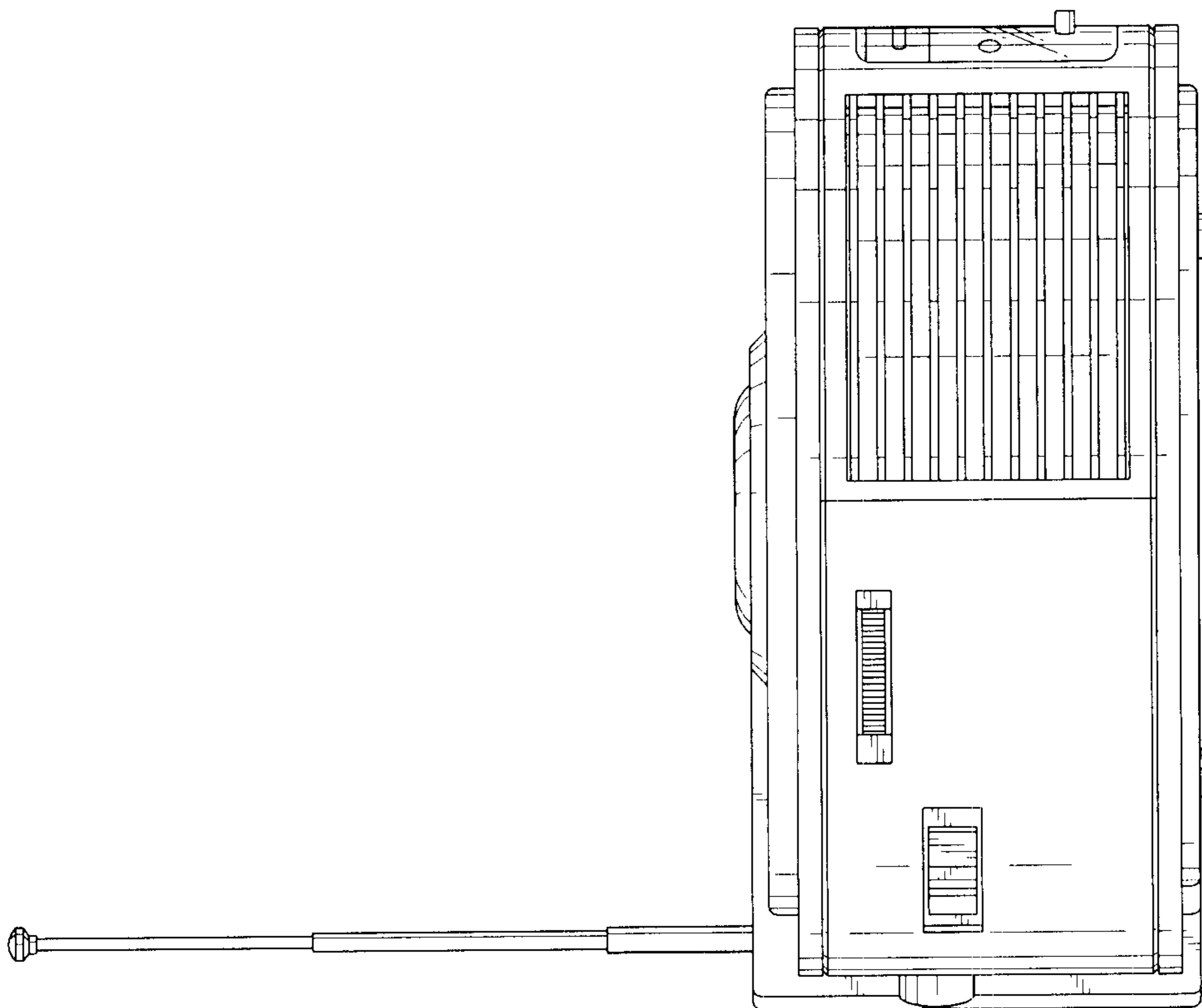


FIG. 3

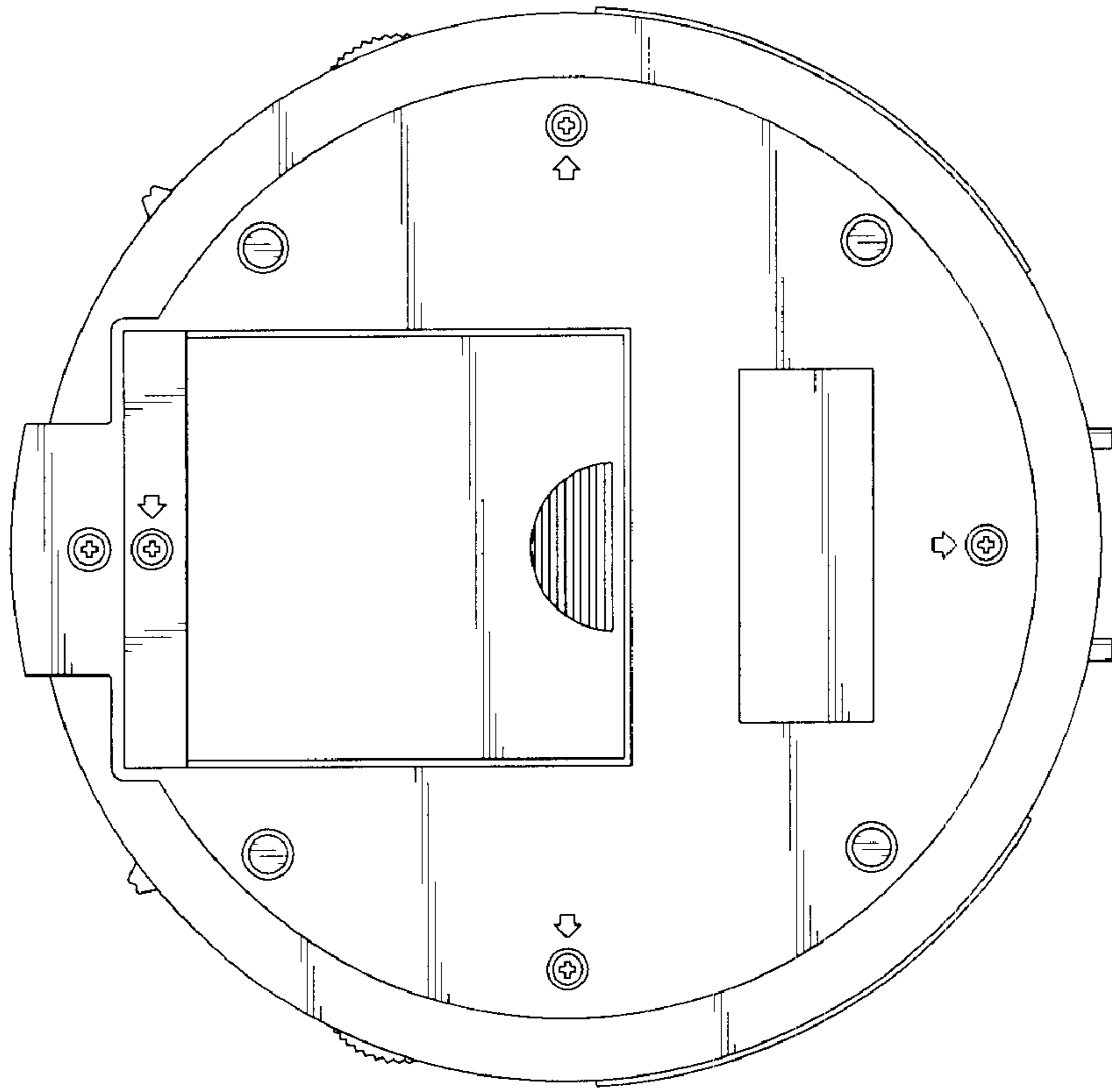


FIG. 4

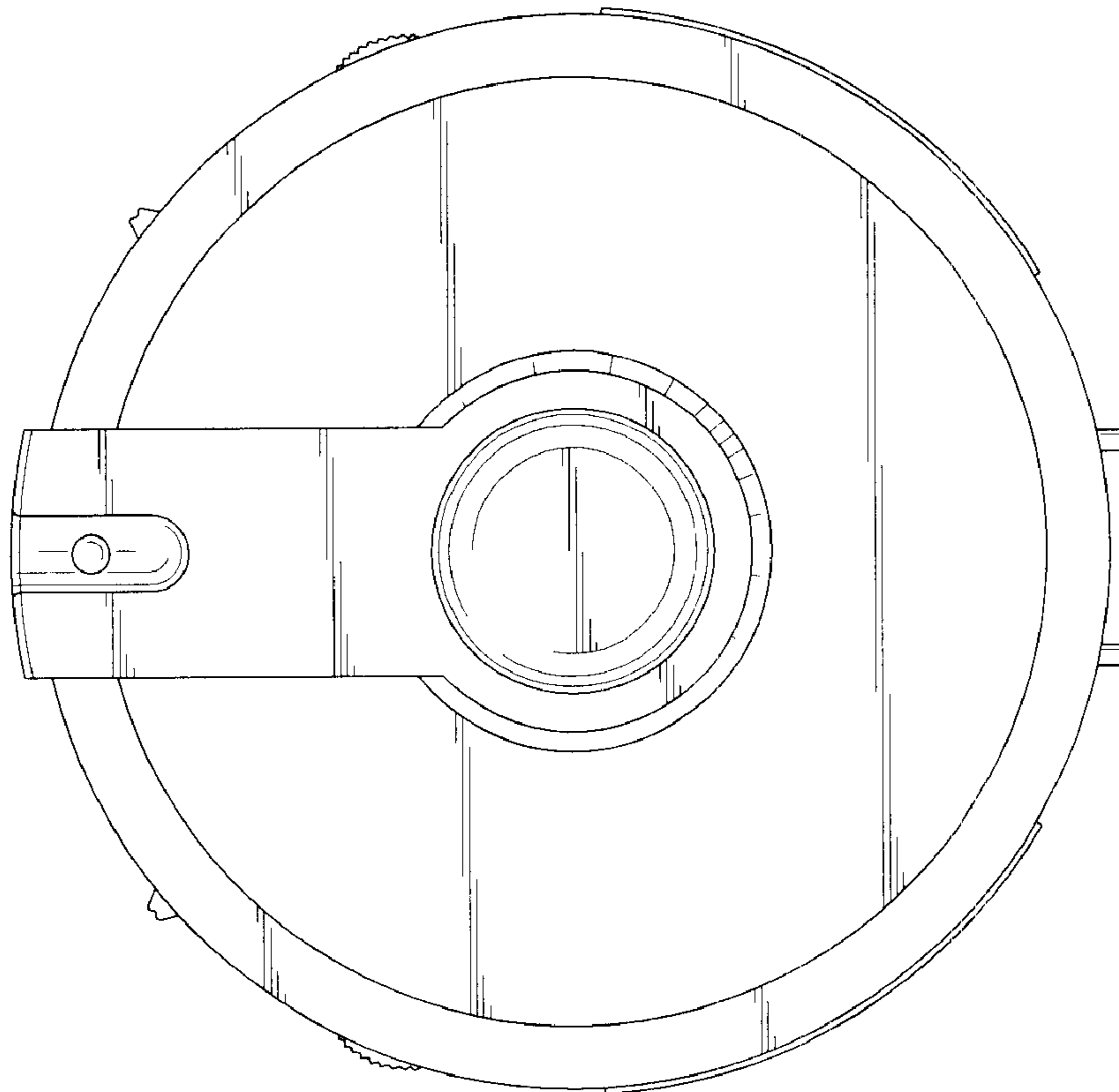


FIG. 5

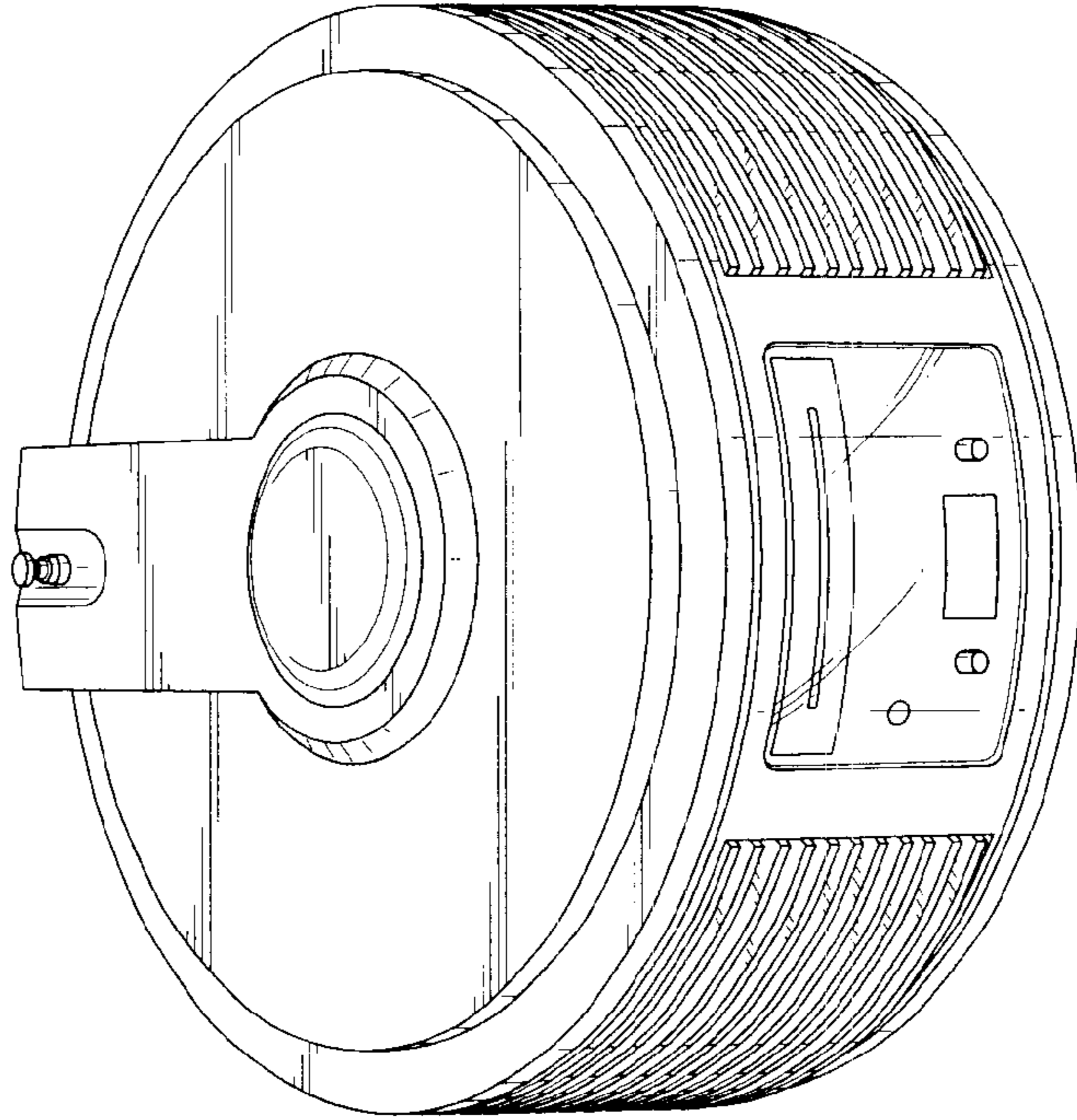


Fig. 8

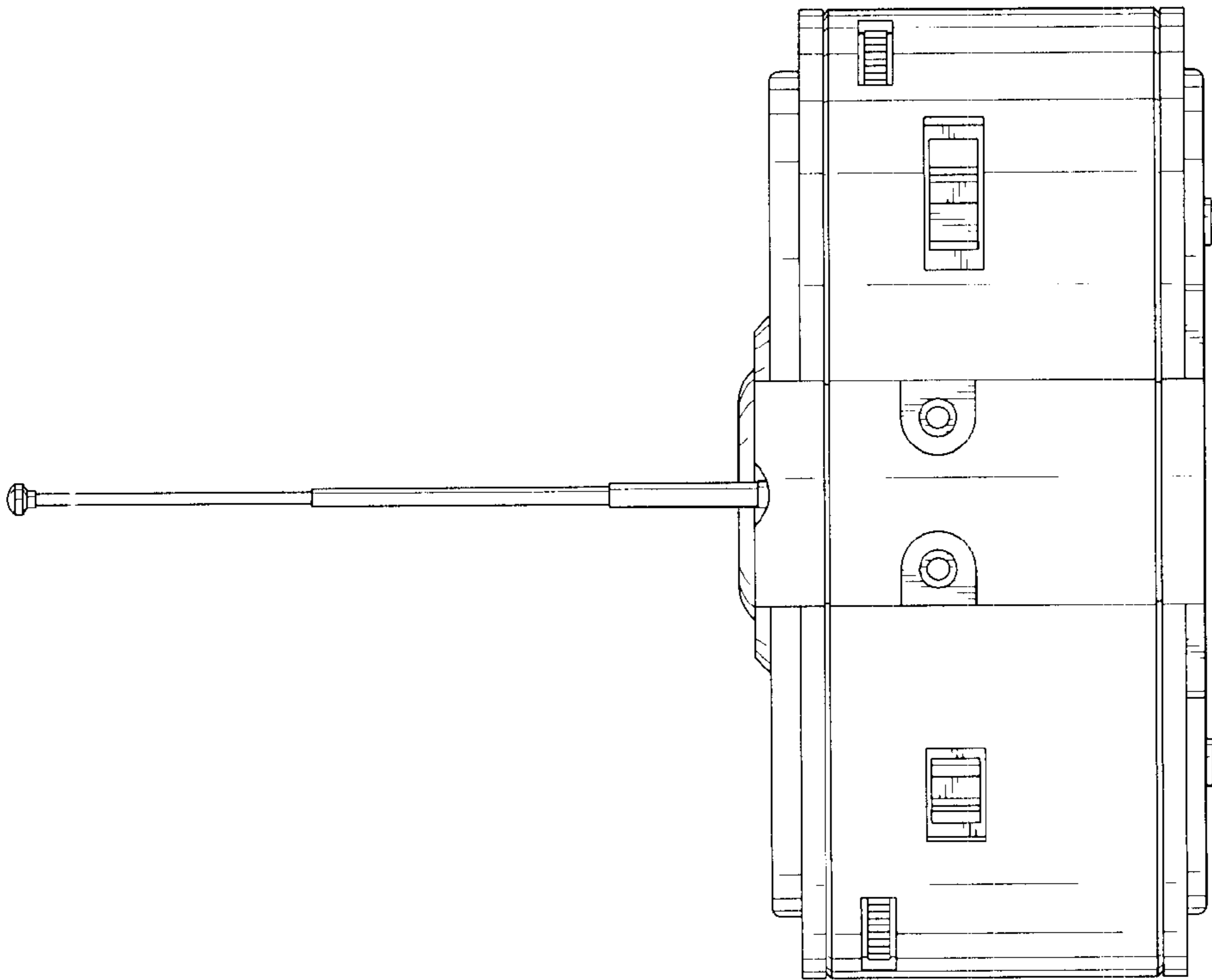


Fig. 7