



US00D504878S

(12) **United States Design Patent** (10) **Patent No.:** **US D504,878 S**
Oikawa (45) **Date of Patent:** **** May 10, 2005**

(54) **DISC RECORDER**
 (75) Inventor: **Yuji Oikawa, Tokyo (JP)**
 (73) Assignee: **Sony Corporation, Tokyo (JP)**
 (**) Term: **14 Years**

D460,063 S 7/2002 Oikawa et al.
 D462,941 S * 9/2002 Woo D14/136
 D464,339 S * 10/2002 Tomino et al. D14/240
 D469,428 S * 1/2003 Senda et al. D14/257
 D470,119 S * 2/2003 Ota D14/167

(Continued)

(21) Appl. No.: **29/205,200**
 (22) Filed: **May 12, 2004**
 (51) **LOC (7) Cl.** **14-01**
 (52) **U.S. Cl.** **D14/136**
 (58) **Field of Search** D14/445, 260.1,
 D14/258, 257, 224, 217, 198, 197, 196,
 195, 194, 193, 192, 188, 168, 167, 156,
 136, 135; 455/350, 347, 344; 369/77.1,
 75.2, 75.1

OTHER PUBLICATIONS

http://www.crutchfield.com/S-ViN3h8k6gmo/cgi-bin/ProdView.asp?i=158DV675PB&search=DVP%2DNC675P.*
http://www.superfi.co.uk/index.cfm/page/moreinfo.cfm/Product_ID/1126, Internet Archive, Feb. 20, 2004.*
http://www.superfi.co.uk/index.cfm/page/moreinfo.cfm/Product_ID/1584, Internet Archive, Dec. 5, 2003.*
http://www.sonystyle.ca/commerce/servlet/ProductDetailDisplay?storeId=10001&catalangId=-1_10001&navigationPath=45940n47000&productid=1000360, Dec. 22, 2004.*
 Web page "DVP-NC625" <http://www.sony.de>, 1 sheet, Sony Deutschland (Mar. 2004).

(56) **References Cited**

U.S. PATENT DOCUMENTS

D321,191 S * 10/1991 Ito et al. D14/156
 D348,064 S * 6/1994 Saito et al. D14/193
 D351,154 S * 10/1994 Fujino D14/125
 D357,235 S * 4/1995 Takahashi D14/357
 D365,816 S * 1/1996 Starck D14/135
 D370,677 S * 6/1996 Olson D14/188
 D371,789 S * 7/1996 Weissberg et al. D14/188
 D380,756 S 7/1997 Ohba
 D381,652 S * 7/1997 Suzuki et al. D14/136
 D383,139 S * 9/1997 Hill et al. D14/242
 D394,655 S 5/1998 Niitsu
 D407,393 S * 3/1999 Kazama D14/125
 D410,919 S * 6/1999 Sato et al. D14/136
 D414,182 S * 9/1999 Miyazaki D14/156
 D428,611 S 7/2000 Takahashi et al.
 D431,545 S 10/2000 Murakami
 D432,111 S 10/2000 Takahashi
 D432,513 S * 10/2000 Takahashi D14/156
 D439,228 S 3/2001 Tsuge
 D459,334 S 6/2002 Tsuge
 D459,709 S * 7/2002 Kojima et al. D14/136

Primary Examiner—Joel A. Sincavage
Assistant Examiner—Austin Murphy
 (74) *Attorney, Agent, or Firm*—Rader, Fishman & Grauer PLLC

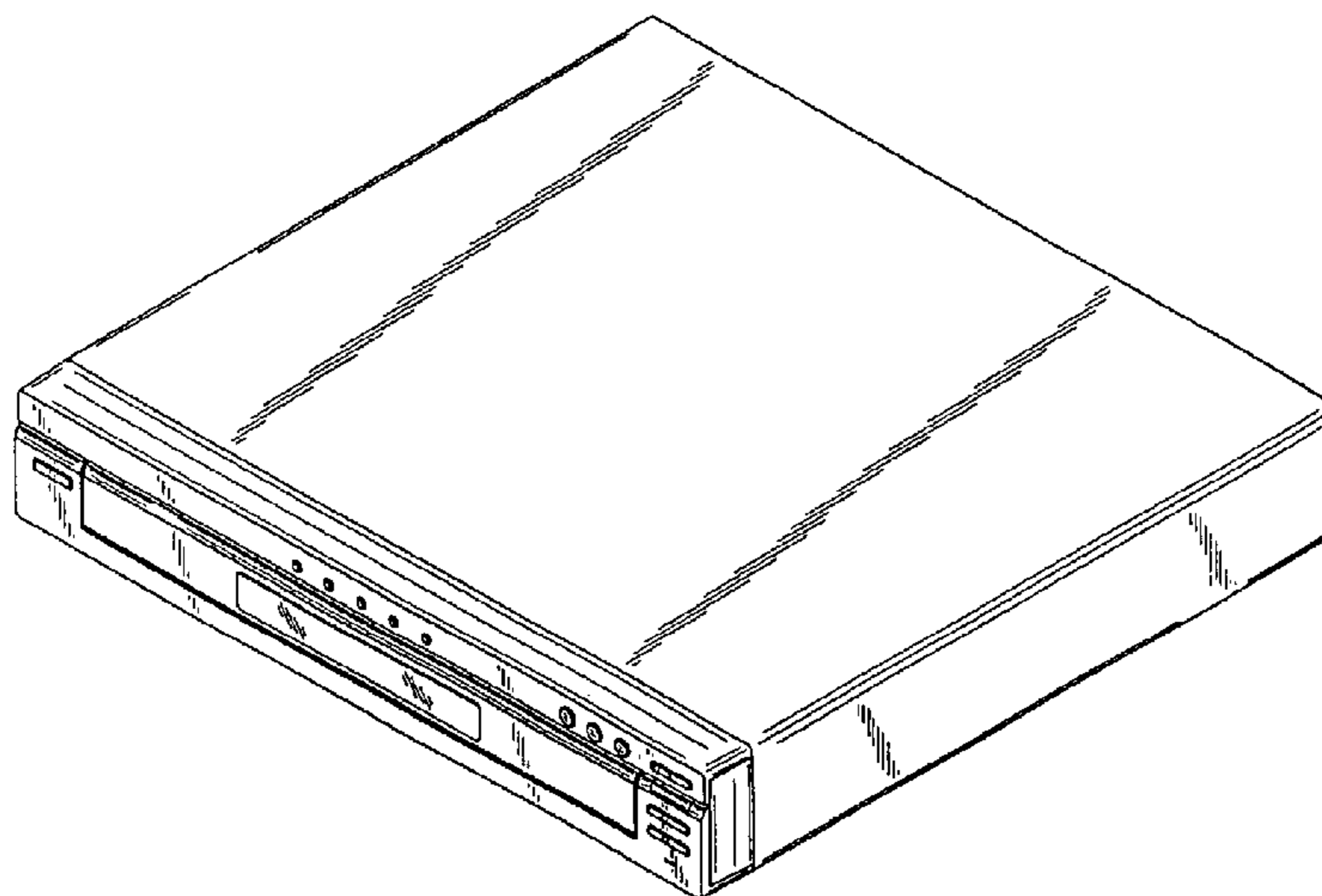
(57) **CLAIM**

The ornamental design for a disc recorder, as shown.

DESCRIPTION

FIG. 1 is a perspective view of a disc recorder showing my new design;
 FIG. 2 is a front elevational view thereof;
 FIG. 3 is a rear elevational view thereof;
 FIG. 4 is a left side elevational view thereof;
 FIG. 5 is a right side elevational view thereof;
 FIG. 6 is a top plan view thereof; and,
 FIG. 7 is a bottom plan view thereof.

1 Claim, 4 Drawing Sheets



US D504,878 S

Page 2

U.S. PATENT DOCUMENTS

D472,534 S	*	4/2003	Ueno et al.	D14/136	D480,693 S	*	10/2003	Johansson et al.	D14/136
D472,547 S	*	4/2003	Dendou et al.	D14/242	D483,729 S	*	12/2003	Huang et al.	D14/136
D475,036 S		5/2003	Tejima		D485,541 S	*	1/2004	Asai	D14/136
D475,357 S		6/2003	Tejima		D485,814 S	*	1/2004	Winkler	D14/136
D479,519 S	*	9/2003	Hisatsune	D14/168	D493,434 S	*	7/2004	Wu	D14/136

* cited by examiner

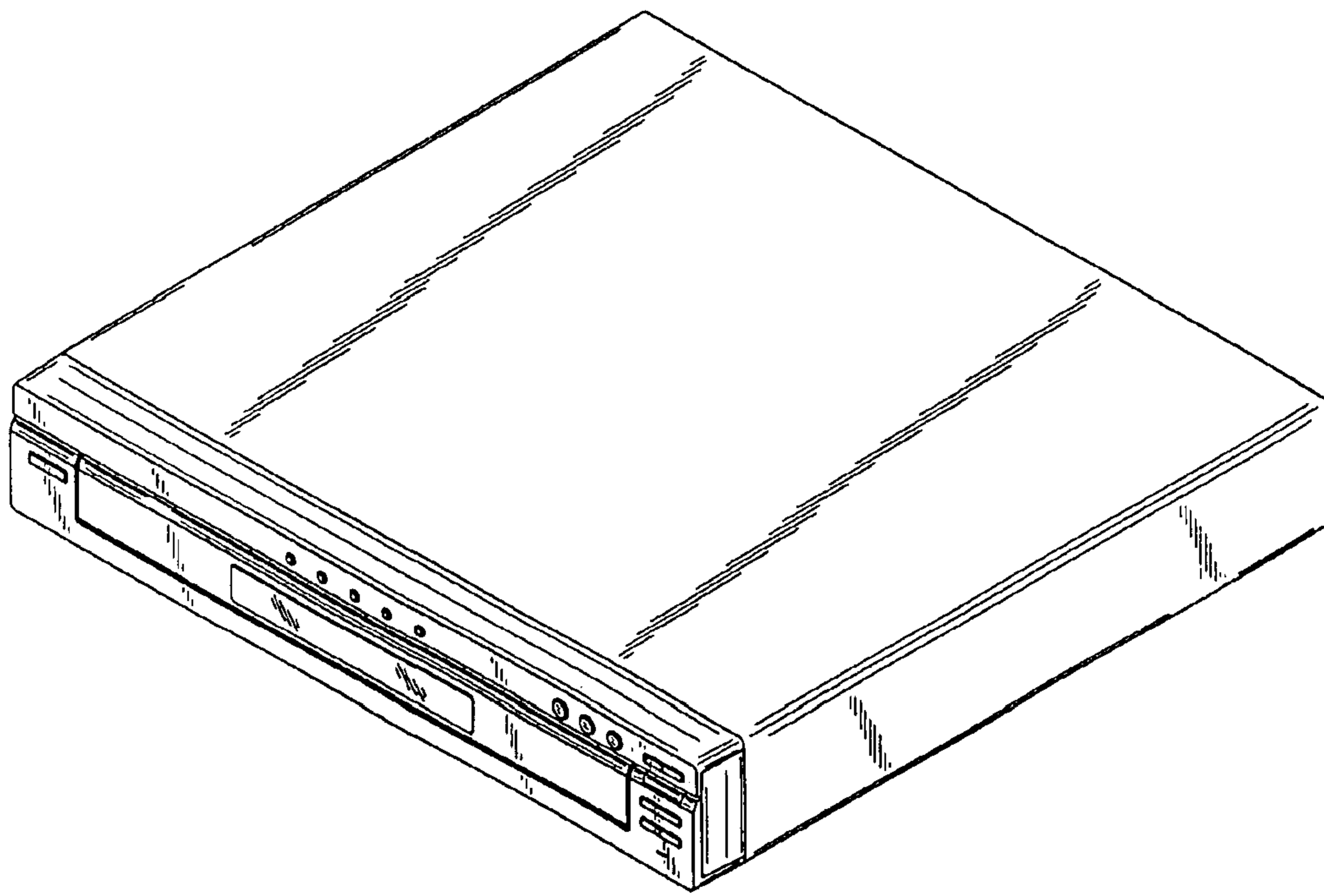


FIG. 1

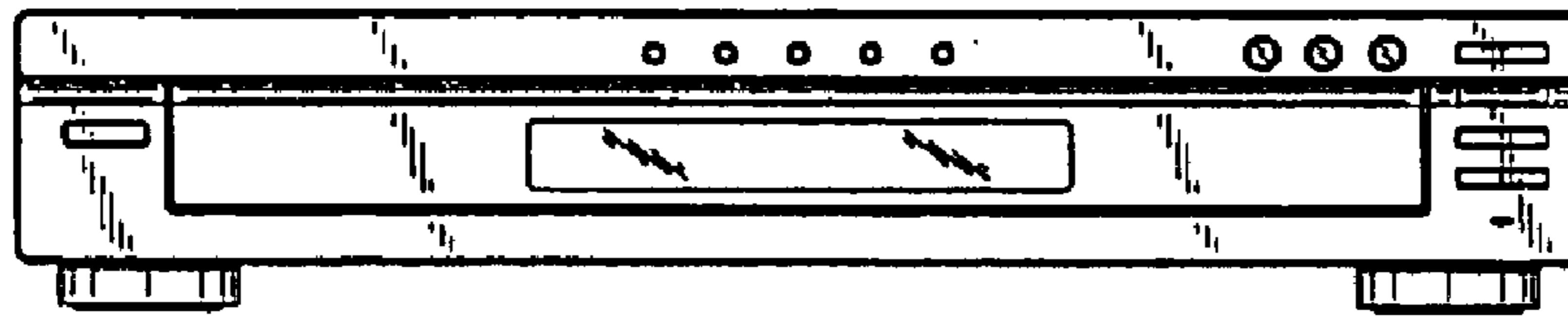


FIG. 2

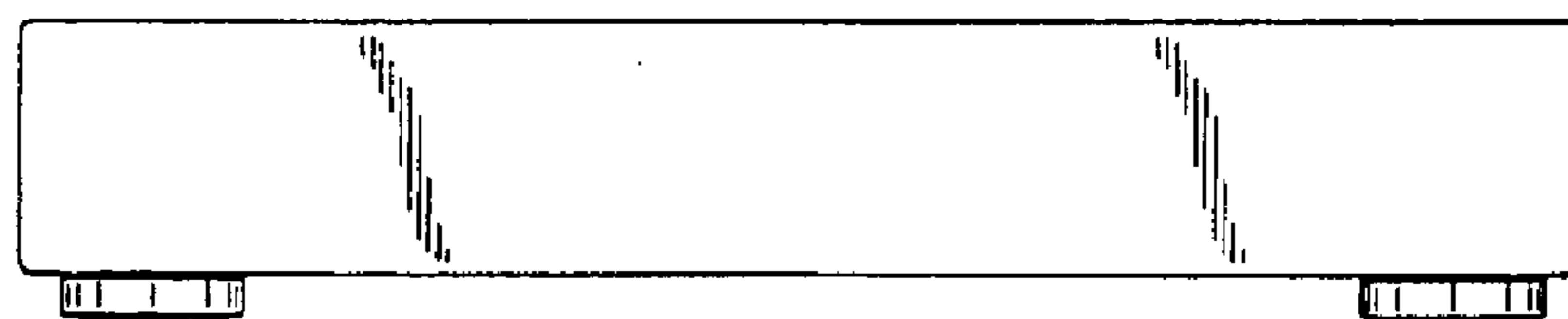


FIG. 3

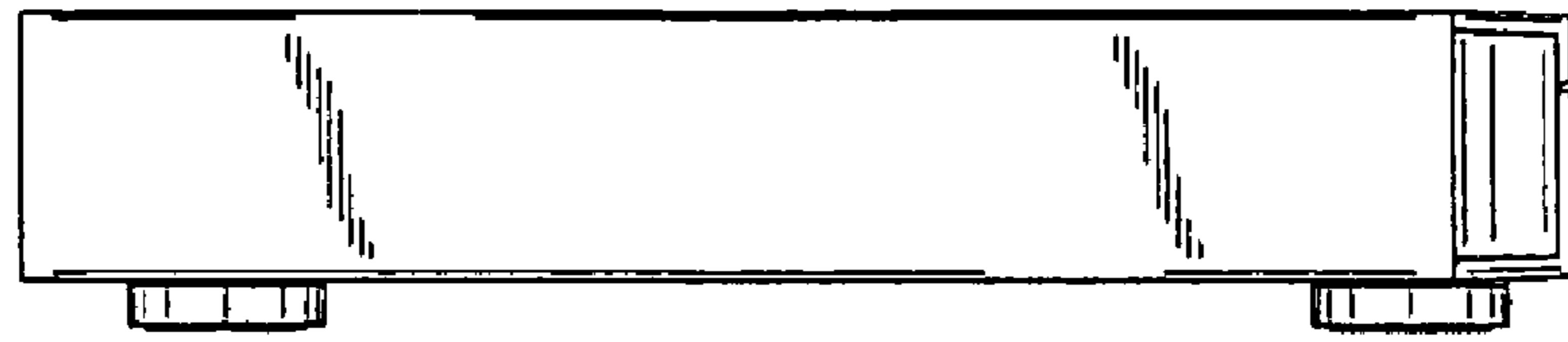


FIG. 4

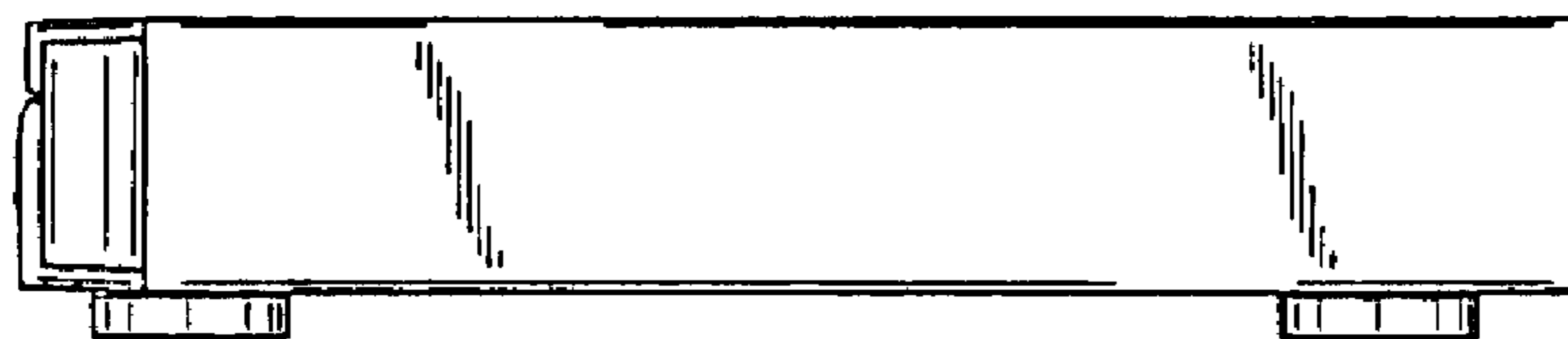


FIG. 5

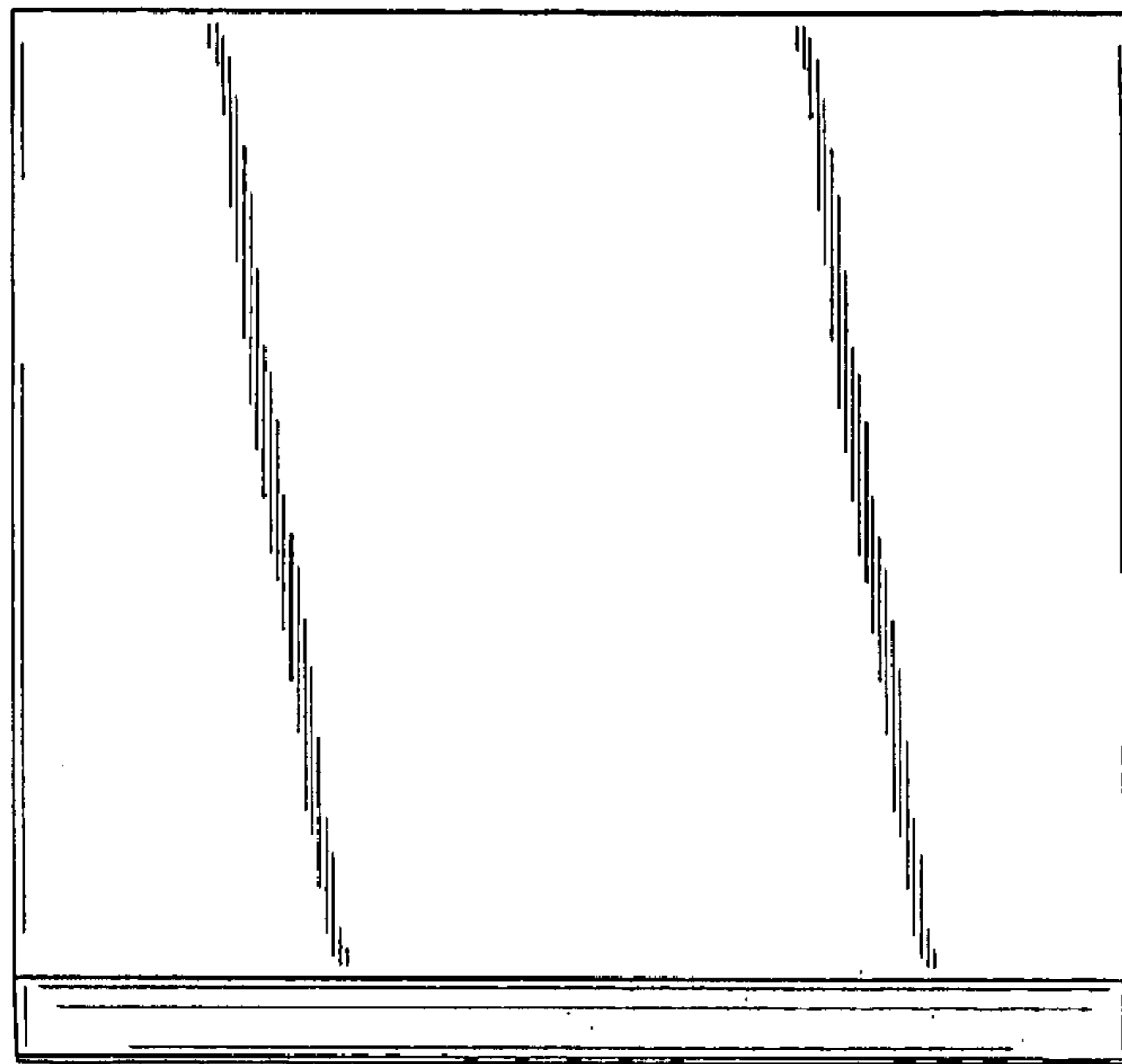


FIG. 6

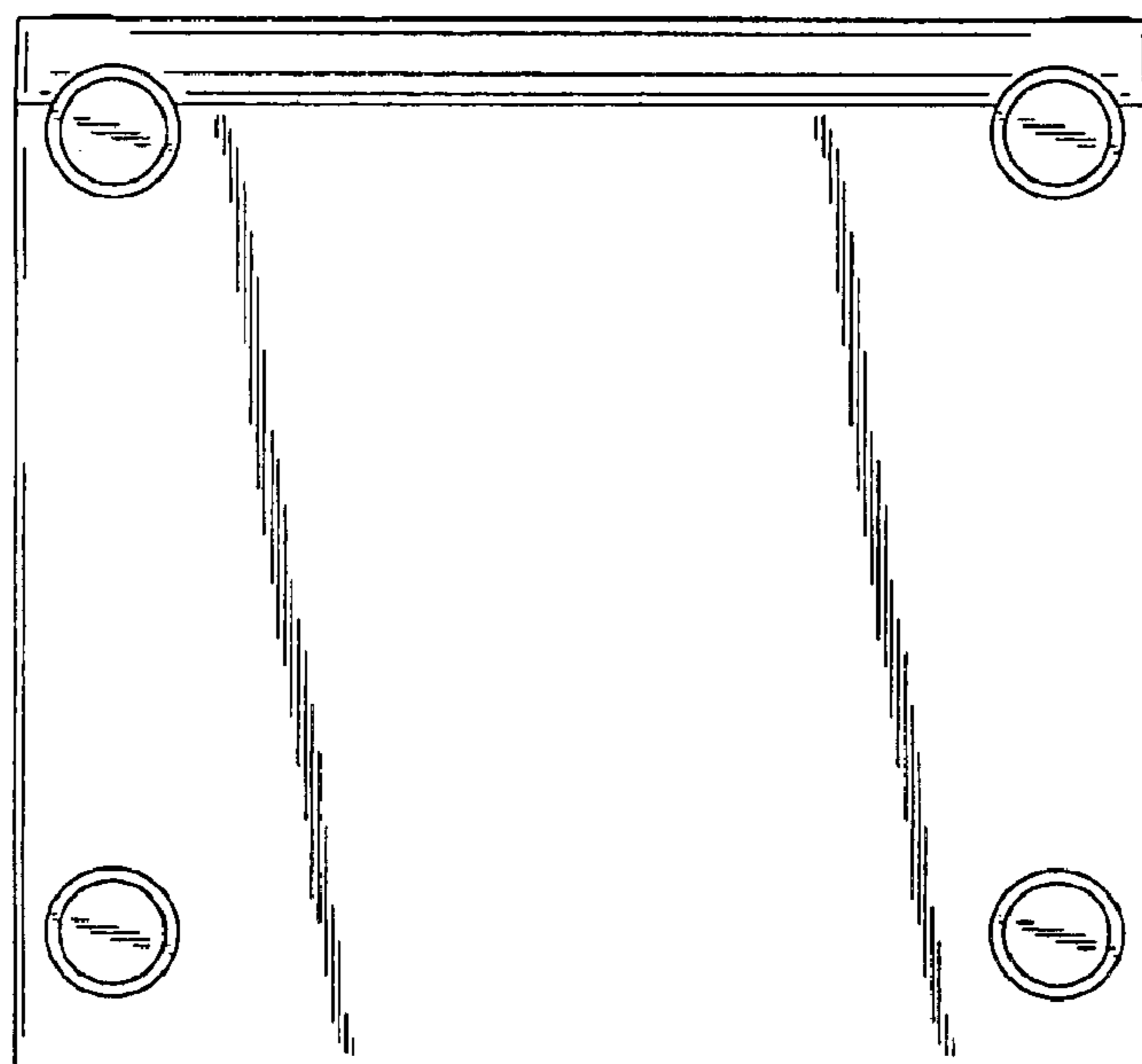


FIG. 7